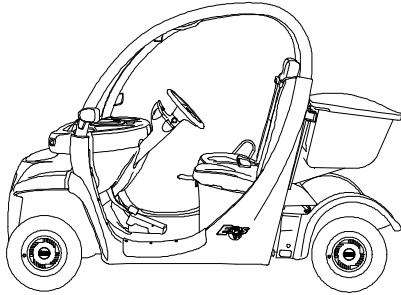
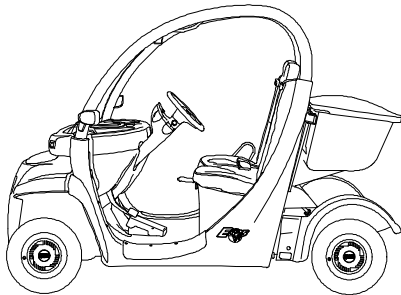




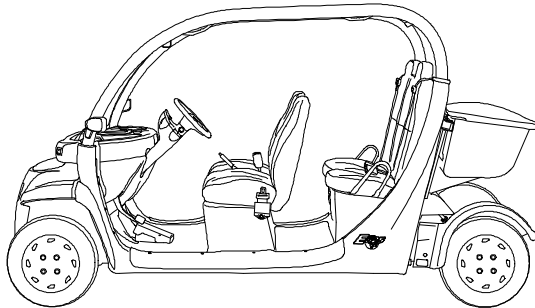
Parts Catalog



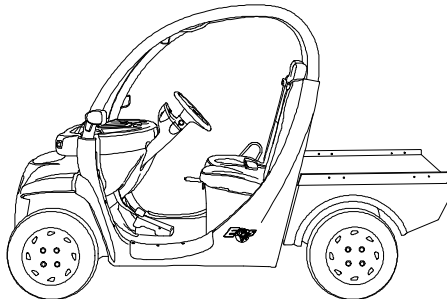
GEM E825 - 2 Passenger Narrow NEV



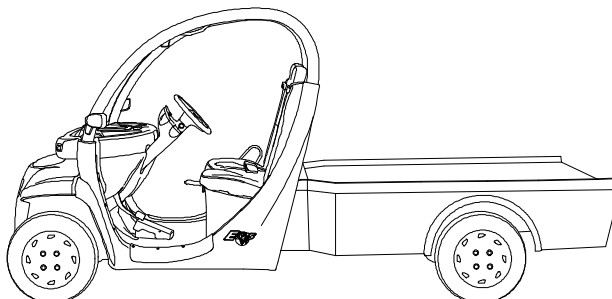
GEM E825 - 2 Passenger NEV



GEM E825 - 4 Passenger NEV



GEM E825 - 2 Passenger Short-back NEV



GEM E825 - 2 Passenger Long-back NEV

GEM Models

GEM E825 - 2 Passenger Narrow NEV

GEM E825 - 2 Passenger NEV

GEM E825 - 4 Passenger NEV

GEM E825 - 2 Passenger Short-back NEV

GEM E825 - 2 Passenger Long-back NEV

Disclaimer

This document is based on information available at the time of its publication. While efforts have been made to be accurate, the information contained herein does not purport to cover all details or variations. Features may be described herein which are not present in all vehicles. Global Electric Motorcars assumes no obligation of notice to holders of this document with respect to changes subsequently made.

Global Electric Motorcars makes no representation or warranty, expressed, implied, or statutory with respect to, and assumes no responsibility for the accuracy, completeness, sufficiency, or usefulness of the information contained herein. No warranties of merchantability or fitness for purpose shall apply.

Copyright

© 2003, Global Electric Motorcars. All rights reserved. Produced and printed in the USA.

PARTS ORDERING INFORMATION

If you need service or parts for your unit:

For service assistance or parts, contact your nearest authorized GEM dealer or the factory. Your nearest authorized GEM dealer will need to know the vehicle identification number (V.I.N.) of your vehicle to provide the most efficient service. See below for information on how to identify and record the V.I.N. for your vehicle.

REPLACEMENT PARTS

Only genuine GEM replacement parts should be used to repair the vehicle. GEM replacement parts are available from your GEM Dealer. To obtain prompt, efficient service, remember to give the Dealer the correct part description and V.I.N. number of the machine.

When ordering parts for your unit provide the following:

1. The V.I.N. of your vehicle.
2. The PART NUMBER of the part.
3. The PART DESCRIPTION.
4. The QUANTITY needed.

⚠ WARNING
We urge using only genuine replacement parts, which meet all the latest requirements. Replacement parts manufactured by others could present safety hazards, even though they may fit on this unit.

V.I.N. PLATE LOCATION

Always give your authorized GEM dealer the V.I.N. of your vehicle when ordering parts, requesting service, or any other information. Remember to record the last six digits of your Vehicle Identification Number (V.I.N.) in the space provided below before calling. Use (Fig. # 1 & 2) to locate the V.I.N. plate.

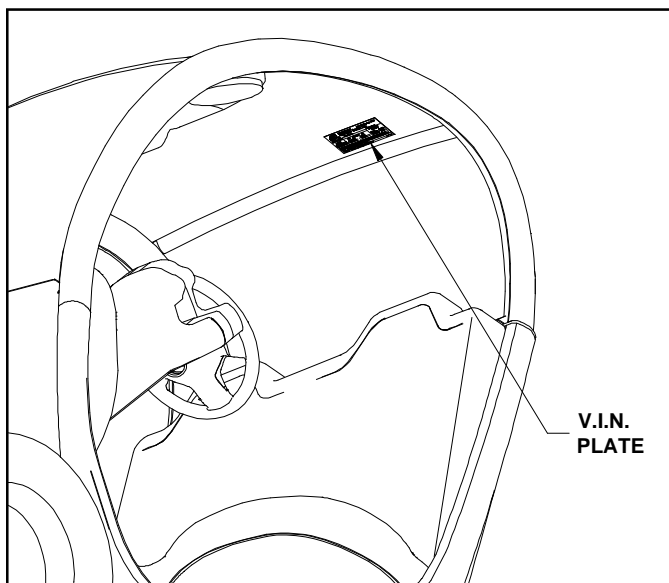



Fig. # 1 V.I.N. plate location

		MANUFACTURED BY: U.S. Patent No. Des. 419,107 Global Electric Motorcars, L.L.C.	
		Web: www.gemcar.com	
GVWR: 953KG (2,100 LBS)		DATE OF MFG: 11/5/01	
GAWR Front 496KG (1,023 LBS) Rear 498KG (1,077 LBS)		COLD INFLATION PRESSURE	
		TIRE - DIMENSION - RIM 165/70R-12 T12x4J 165/70R-12 T12x4J	
		KPA/PSI 207KPA (30PSI)	SGL/DUAL SINGLE
		207KPA (30PSI)	SINGLE
THIS VEHICLE CONFORMS TO ALL APPLICABLE U.S. FEDERAL MOTOR SAFETY, BUMPER, AND THEFT PREVENTION STANDARDS (FMVSS) IN EFFECT ON THE DATE OF MANUFACTURE SHOWN A			
V.I.N. XXXXXXXXXXXXXXXX XXXX			
TYPE OF VEHICLE: _____			U.S. VIN

LAST SIX NUMBERS OF V.I.N.

Fig. # 2 V.I.N. use last six numbers

V.I.N. _____

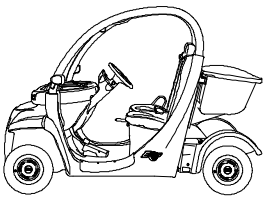
HOW TO USE THIS CATALOG AND LOCATE PARTS

This catalog is divided into Item Class Groups in which illustrations for parts of a similar function and/or location are published.

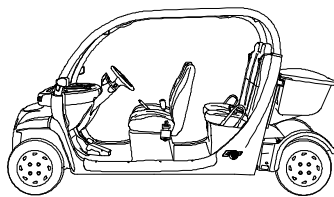
Option 1: From the contents page of the parts catalog, select the section which would most logically contain the part to be found. When the part is found, then determine if the part is for your model of vehicle by locating the correct icon at the top of the page. (See illustration below "Determining if the part is for your model of vehicle")

Option 2: If the part number is known but the applications and/or locations need to be determined, refer to the numerical index. This index shows the **Part Number, Description, and Page Numbers** that the item is contained on.

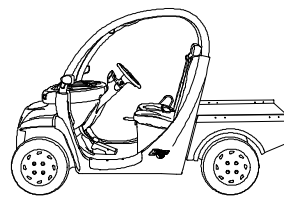
DETERMINING IF THE PART IS FOR YOUR MODEL OF VEHICLE



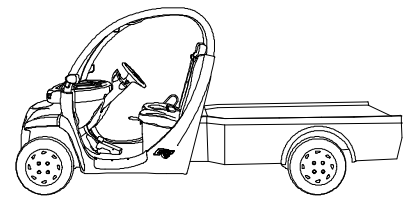
GEM E825 - 2 Passenger NEV



GEM E825 - 4 Passenger NEV



GEM E825 - 2 Passenger Short-back NEV



GEM E825 - 2 Passenger Long-back NEV

* STARRED ITEMS ARE NOT AVAILABLE SEPARATELY

ITEM	PART NO.	DESCRIPTION	QTY
		0116-00167 - ASSY. WHEEL END KIT - LH REAR	
1	*	ASSY. HUB	1
2	0011-00030	SHOE - BRAKE RIGHT	1
4	0011-00034	SHOE - BRAKE LEFT	1
5	0011-00033	SPRING - E - BRAKE RELEASE RH	1
6	*	SPINDLE	1
7	*	DRUM	1
8	*	SHAFT - AXLE	1
9	*	TUBE - SPACER - BEARING	1
10	0061-00030	NUT - HEX - TOP LOCK - 1/4" X 1 1/4" GRADE 12	1
11	1002-00030	BOLT - HEX - UNCS. - M8 X 1.25 X 34.5 GR 8.8	4
12	*	SCREW - HEX SOCKET - CNTSK M6 X 8 X 12 LG GR 10.9	2
13	1002-00030	WASHER - FLAT - 1/4" X 1/2" X 0.015" 17-22 10.9S 200	1
14	0061-00030	KIT - CYLINDER - BRAKE - REAR	1
15	*	BEARING - ROLLER	1

* STARRED ITEMS ARE NOT AVAILABLE SEPARATELY

Global Electric Motorcars, LLC
3601 Seventh Avenue NW
Fargo, North Dakota 58102
Ph: (701) 232-2500 Fax: (701) 446-0108

Parts Order Form

Order Requested By: _____

Request Date: _____

Fax Confirmation To: _(____)_____

Phone Number:_(____)_____

Invoice Information:

Bill To:

Name: _____
 Address: _____

Ship To (if different):

Name: _____
 Address: _____

Terms (circle one):

COD
On Account
Visa/Mastercard
 (card#): _____ Exp: _____

Shipping Terms: _____ UPS Ground (7-10 days)
 _____ UPS 2-Day (\$20.00 fee)
 _____ UPS 3-day (\$20.00 fee)
 _____ OVERNIGHT (\$20.00 fee)

Minimum Order of \$25.00 required

QTY	PART NUMBER	DESCRIPTION	PRICE	TOTAL PRICE	WARRANTY <input type="checkbox"/>	WARRANTY VIN

SHIPPING INSTRUCTIONS: _____

 PURCHASING SIGNATURE

 DATE

Parts Return Authorization Form

THIS FORM IS ONLY TO BE USED FOR RETURNING DAMAGED, DEFECTIVE, OVERSTOCK OR WRONGFULLY SHIPPED PARTS

Dealer Name: _____
 Address: _____
 City: _____ State: _____ Zip: _____
 Fax Number: _____
 Dealer Signature: _____

RA -

**Please place the above issued RA number
 on the front of the shipping carton,
 RED in color and approximately 3" in size.**

INSTRUCTIONS:

1. After completing the information on this form, fax the form to (701) 232-9528 for approval. The Parts Department will fax you the form back with the Return Authorization (RA) number. Please enter the RA number above.
2. As stated above, the RA number must be placed on the front of the shipping carton, RED in color, and approximately 3" in size.
3. Please keep a copy of this form for your records.
4. Do not write in the *Company Approvals* section of this form.
5. When return of specified parts has been approved, ship prepaid within 10 days to the following address:
 Global Electric Motorcars, LLC
 Attn: Parts Return
 3601 7th Avenue NW
 Fargo, North Dakota 58102

Return Code:

- A. Ordered in error by dealer.
 B. Shipped in error by factory
 C. Inventory Overstock
 D. Damage or defective part
 E. Other (explain):

*For
 Office Use
 Only!*

Company Approvals:

Approved By: _____
 Date: _____

**Credit will only be issued if the part(s)
 is in re-saleable condition. If returned within a
 10 day period, a restocking fee will not be assessed
 (see GEM Return Parts Policy).**

Part No.	Description	Qty	Serial Number (if applicable)	Return Code	Purchasing Invoice	% Restocking Fee

Additional Comments:

Contents

SECTION 1 - FRONT AND REAR SUSPENSION	1
SECTION 2 - STEERING	11
SECTION 3 - WHEEL END COMPONENTS	17
SECTION 4 - BRAKES	21
SECTION 5 - ELECTRICAL	28
SECTION 6 - BODY	44
SECTION 7 - MISCELLANEOUS	86
SECTION 8 - OWNERS KITS	100
SECTION 9 - DECALS	103
SECTION 10 - ACCESSORIES	109
SECTION 11 - OPTIONS	126
SECTION 12 - SERVICE KITS	139
Index	153

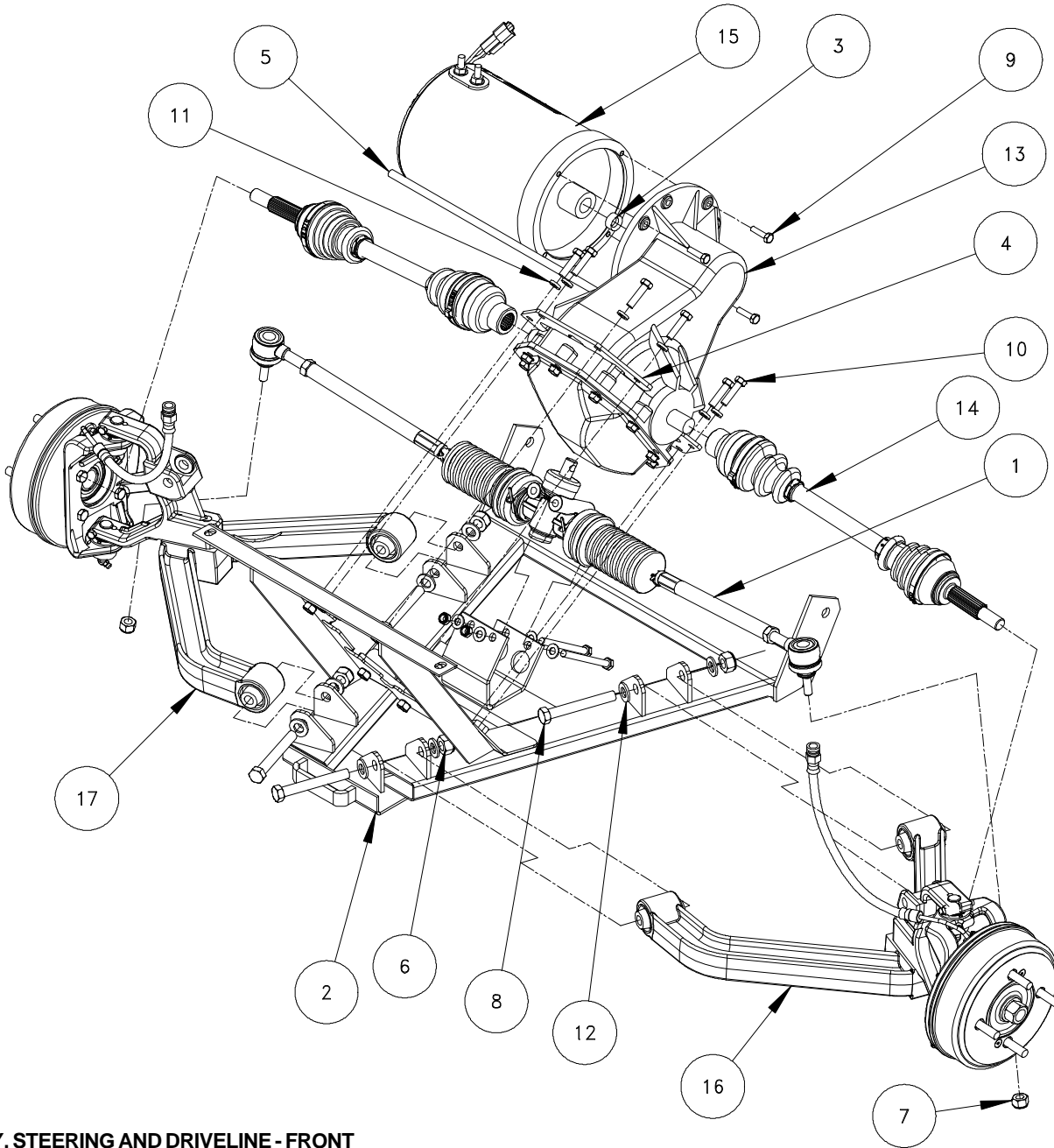
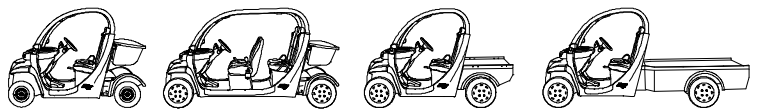


Global Electric Motorcars, LLC

A DaimlerChrysler Company

Parts Catalog

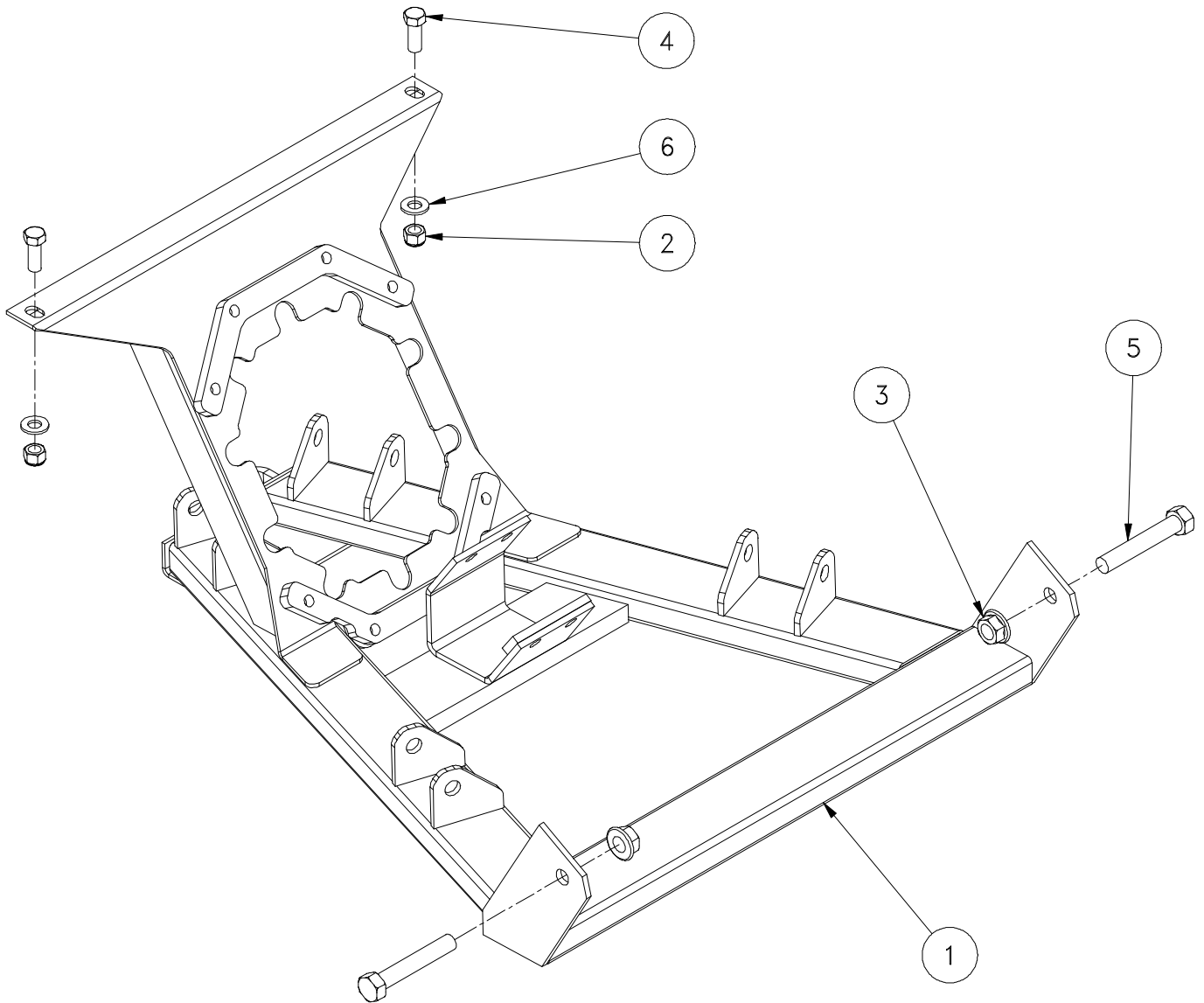
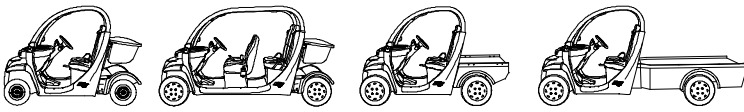
SECTION 1 - FRONT AND REAR SUSPENSION



ASSY, STEERING AND DRIVELINE - FRONT

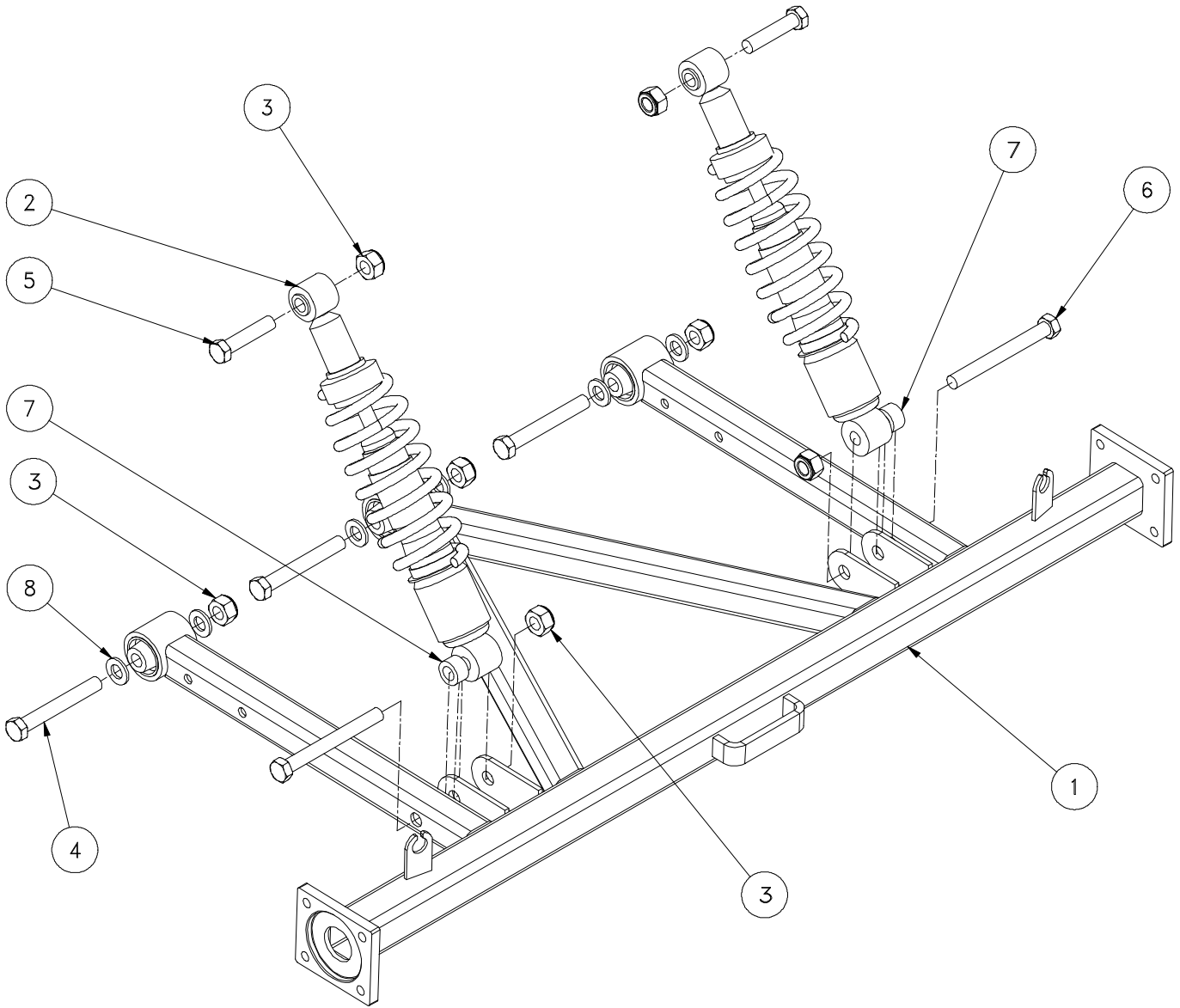
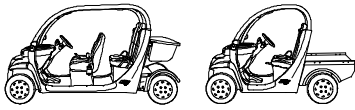
<u>ITEM</u>	<u>PART NO.</u>	<u>DESCRIPTION</u>	<u>QTY.</u>
1	0112-00146	ASSY, STEERING GEAR	1
2	0201-00061	WLD, SUPPORT FRM - FRT	1
3	0313-00168	BUMPER, RESILIENT - DIFF TO MOTOR	1
4	0313-00417	KEEPER, GEARBOX \ DIFF	2
5	0313-00591	HOSE, BREATHER - DIFFERENTIAL	1
6	0521-00023	NUT, HEX - NYLOCK - M12 X 1.75 ZINC PLATED	4
7	0521-00116	NUT, NYLOCK STEERING GEAR BALL JOINT	2
8	0522-00044	BOLT, HEX - HHCS - M12 X 1.75 X 90 CL 10.9 ZINC PLATED YELLOW	4
9	0522-00056	BOLT, HEX - HHCS - 1/4 - 20 UNC X 1.0 GR 8 ZN YL	3
10	0522-00080	BOLT, HEX - HHCS - 5/16 - 18 UNC X 1.25 GR 5	8
11	0524-00081	WASHER, LOCK - 1/2	8
12	0524-00115	WASHER, FLAT - M12 13mm ID X 24mm OD X 2.5mm THK	8
13	0613-00249	ASSY, GEAR BOX \ DIFFERENTIAL - 72 VOLT 10.35:1 (USE WITH 5 HP MOTOR ONLY)	1
13	0613-00011	ASSY, GEAR BOX \ DIFFERENTIAL - 72 VOLT 8.91:1 (USE WITH 3.5 HP MOTOR ONLY)	1
14	0613-00013	ASSY, HALF SHAFT	2
15	0613-00248	MOTOR, ELECTRIC 5HP	1
15	0613-00008	MOTOR, ELECTRIC - 72 VOLT 3.5 HP	1
16	*1103-00001	ASSY, CONTROL ARM W/ WHEEL END - LH	1
17	*1103-00002	ASSY, CONTROL ARM W/ WHEEL END - RH	1

* Not Sold Separately, See Page 4, & 5



0101-00105 ASSY, SUPPORT FRAME - FRONT

<u>ITEM</u>	<u>PART NO.</u>	<u>DESCRIPTION</u>	<u>QTY.</u>
1	0201-00061	WLDMT, SUPPORT FRM-FRT - FRONT MODULE	1
2	0521-00010	NUT, HEX - NYLOCK 3/8-16 UNC GR5 ZN	2
3	0521-00120	NUT, HEX FLANGE 1/2-13 SPIRALOCK	2
4	0522-00063	BOLT, HEX - HHCS 3/8-16 UNC x 1.0 LG GR 5 ZINC PLATED	2
5	0522-00076	BOLT, HEX - HHCS 1/2 - 13 UNC X 3.0 GR 8 ZN YL ZINC PLATED	2
6	0524-00009	WASHER, FLAT - 3/8 SAE .406 ID X .8125 OD X .080 THK ZN	2

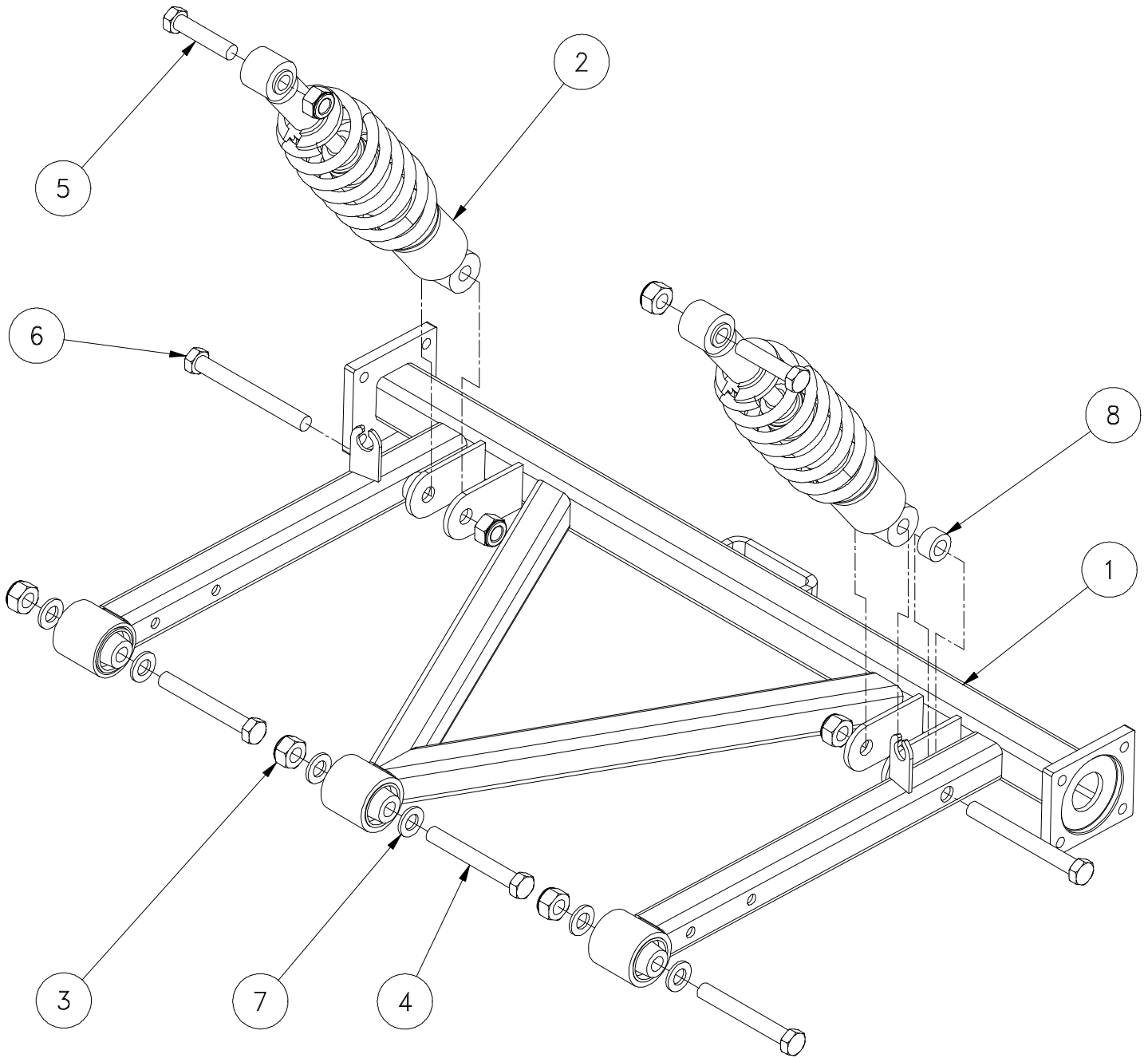


0102-00037 ASSY, SUSPENSION - 4 PASS REAR (WIDE)

<u>ITEM</u>	<u>PART NO.</u>	<u>DESCRIPTION</u>	<u>QTY.</u>
1	0102-00325	ASSY, SUSPENSION FRAME W/BUSHINGS - REAR	1
2	0103-00014	ASSY, SPRING OVER SHOCK -	2
3	0521-00023	NUT, HEX - NYLOCK M12 X 1.75 ZN	7
4	0522-00044	BOLT, HEX - M12 X 1.75 X 90 LG HHCS - GR 10.9 ZN YLW	3
5	0522-00048	BOLT, HEX - M12 X 1.75 X 55 LG HHCS - GR 10.9 ZN YLW	2
6	0522-00088	BOLT, HEX - M12 X 1.75 X 110 LG HHCS - GR 10.9 ZN YLW	2
7	0524-00089	BUSHING, STEEL .875 OD X .50 ID X .50 LG ZINC PLATED	2
8	0524-00115	WASHER, FLAT - M12 13mm ID X 24mm OD X 2.5mm THK	6

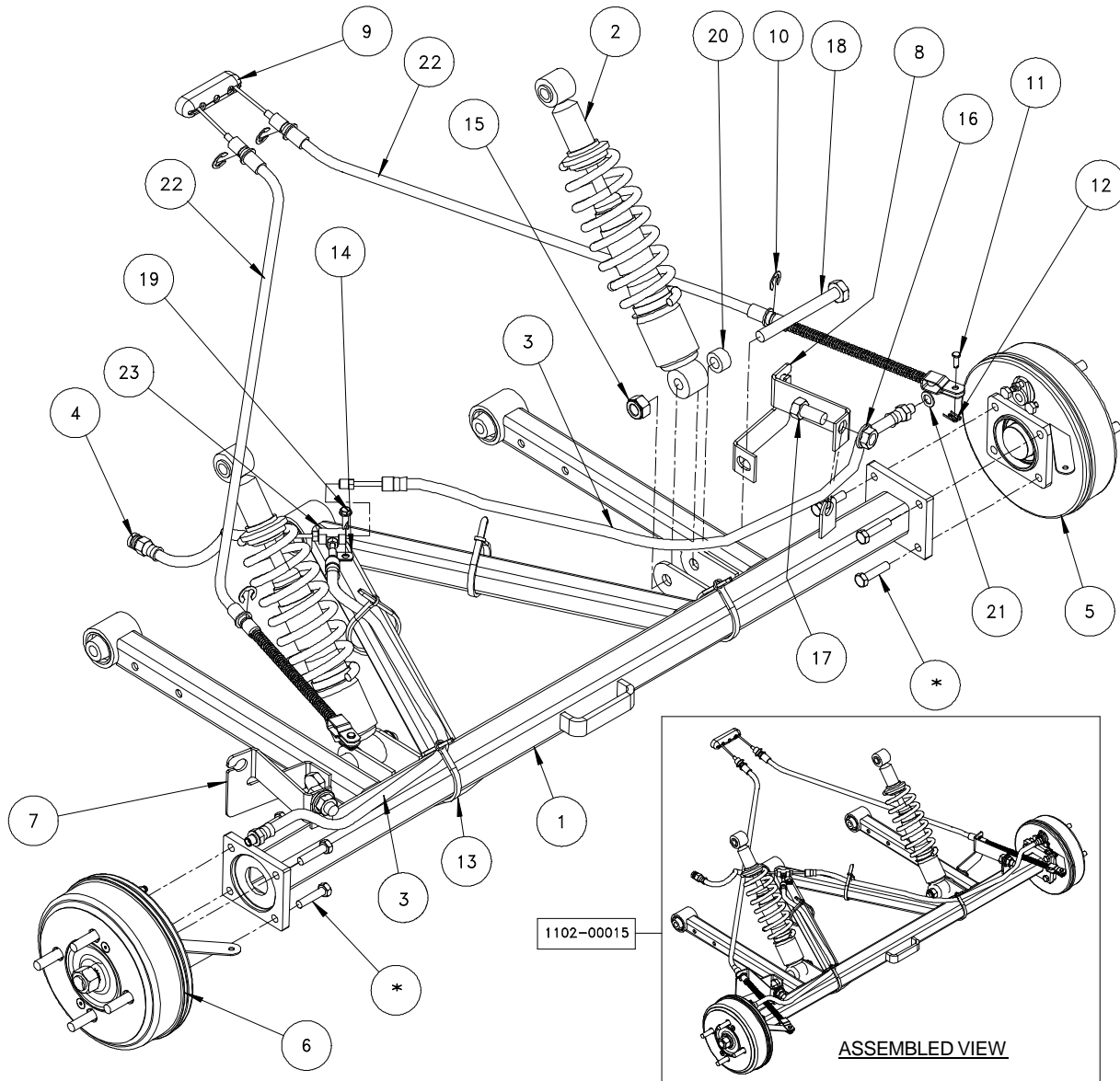


2 Passenger Narrow Only



0102-00016 ASSY, SUSPENSION - REAR NARROW

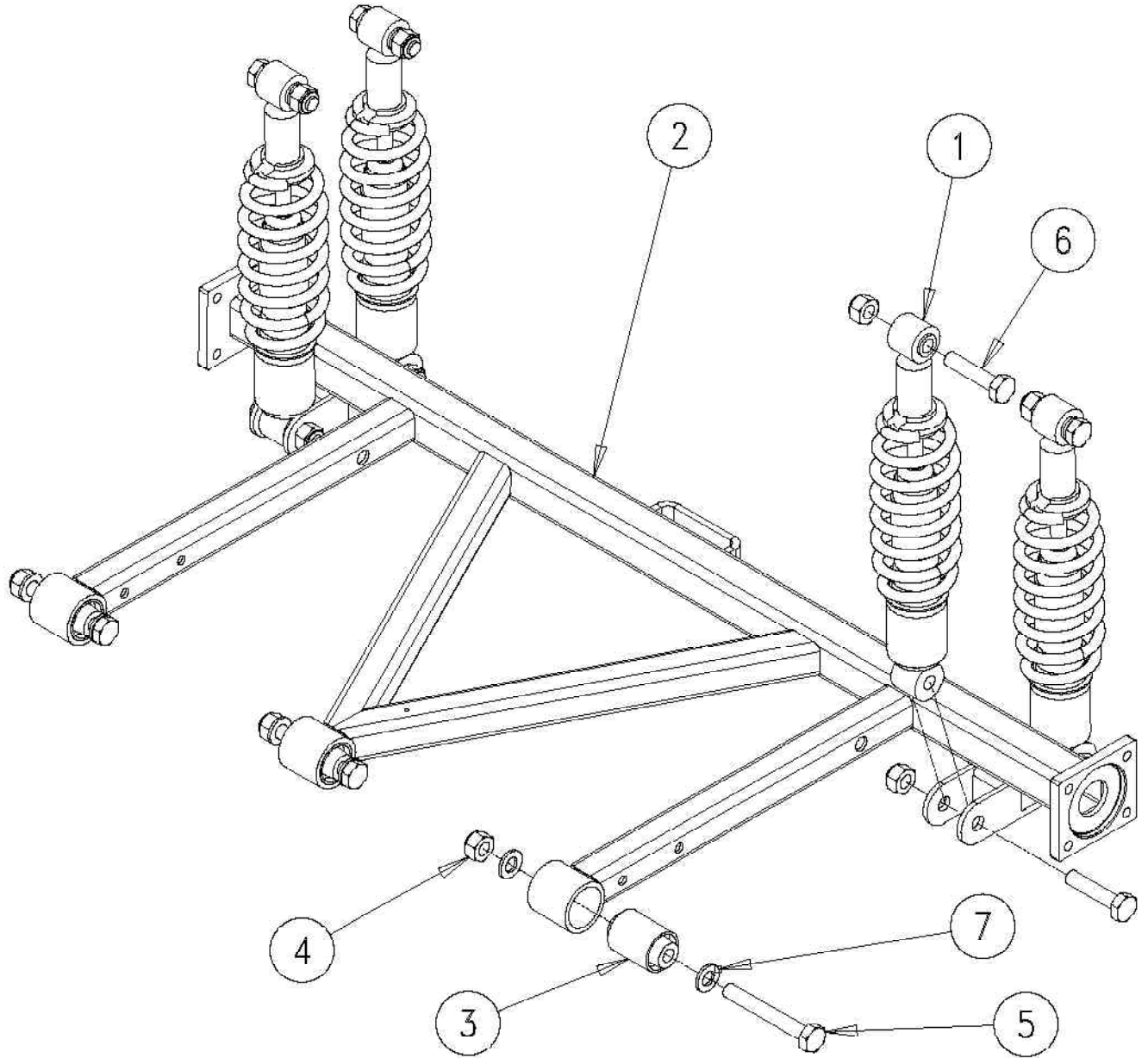
ITEM	PART NO.	DESCRIPTION	QTY.
1	0102-00374	ASSY, SUSPENSION FRAME W/ BUSHINGS (NARROW)	1
2	0103-00013	ASSY, SHOCK SPRING OVER SHOCK -	2
3	0521-00023	NUT, HEX - NYLOCK M12 X 1.75 ZN	7
4	0522-00044	BOLT, HEX - M12 X 1.75 X 90 LG HHCS - GR 10.9 ZN YLW	3
5	0522-00048	BOLT, HEX - M12 X 1.75 X 55 LG HHCS - GR 10.9 ZN YLW	2
6	0522-00088	BOLT, HEX - M12 X 1.75 X 110 LG HHCS - GR 10.9 ZN YLW	2
7	0524-00045	WASHER, FLAT - M12 .512 ID X .944 OD X .098 THK	6
8	0524-00089	BUSHING, STEEL .875 OD X .50 ID X .50 LG ZINC PLATED	2



ASSY, REAR SUSPENSION ASSY

ITEM	PART NO.	DESCRIPTION	QTY.
1	0102-00325	ASSY, SUSPENSION FRAME W/BUSHINGS - REAR (WIDE)	1
2	0103-00013	ASSY, SPRING OVER SHOCK	2
3	0111-00268	ASSY, BRAKE HOSE - REAR (TEE TO RH AND LH SC)	2
4	0111-00269	ASSY, BRAKE HOSE - REAR (BRKT TO TEE)	1
5	0116-00166	ASSY, WHEEL END - RH REAR (12MM STUD)	1
6	0116-00167	ASSY, WHEEL END KIT - LH REAR (12MM STUD)	1
7	0311-00100	BRKT, BRAKE CABLE - LH	1
8	0311-00101	BRKT, BRAKE CABLE - RH	1
9	0311-00117	BRKT, EQUALIZER - PARKING BRAKE CABLE	1
10	0510-00018	CLIP, E - 7/16 SHAFT	4
11	0510-00019	PIN, CLEVIS - 3/16 ANSI B18.8.1-1972 R1983	2
12	0510-00020	PIN, COTTER - 1/16 X 1.0 LG ZINC PLATED	2
13	0510-00137	TIE, CABLE W/#10 MOUNT HOLE 9" BLACK	4
14	0510-00171	CLAMP, P - 3/8 WIRE STL/BLK VYNAL COATED	1
15	0521-00023	NUT, HEX - NYLOCK - M12 X 1.75 ZINC PLATED	2
16	0521-00024	NUT, HEX FLANGE - TECK LOCK - 1/2 - 13 UNC GR 6	2
17	0522-00021	BOLT, HEX - HHCS - 1/2 - 13 UNC X 1.0 GR 8 ZN YL	2
18	0522-00088	BOLT, HEX - HHCS - M12 X 1.75 X 110 LG GR 10.9	2
19	0523-00032	SCREW, HEX - WASHER HEAD SELF DRILL 1/4 X .75 ZN	1
20	0524-00089	BUSHING, STEEL - .875 OD X .50 ID X .50 LG	2
21	0524-00173	WASHER , COPPER	2
22	0611-00001	ASSY, CABLE - PARKING BRAKE	2
23	0611-00132	FITTING, TEE UNION - BRASS 3/8-24 THD FOR 3/16 O.D. TUBE	1

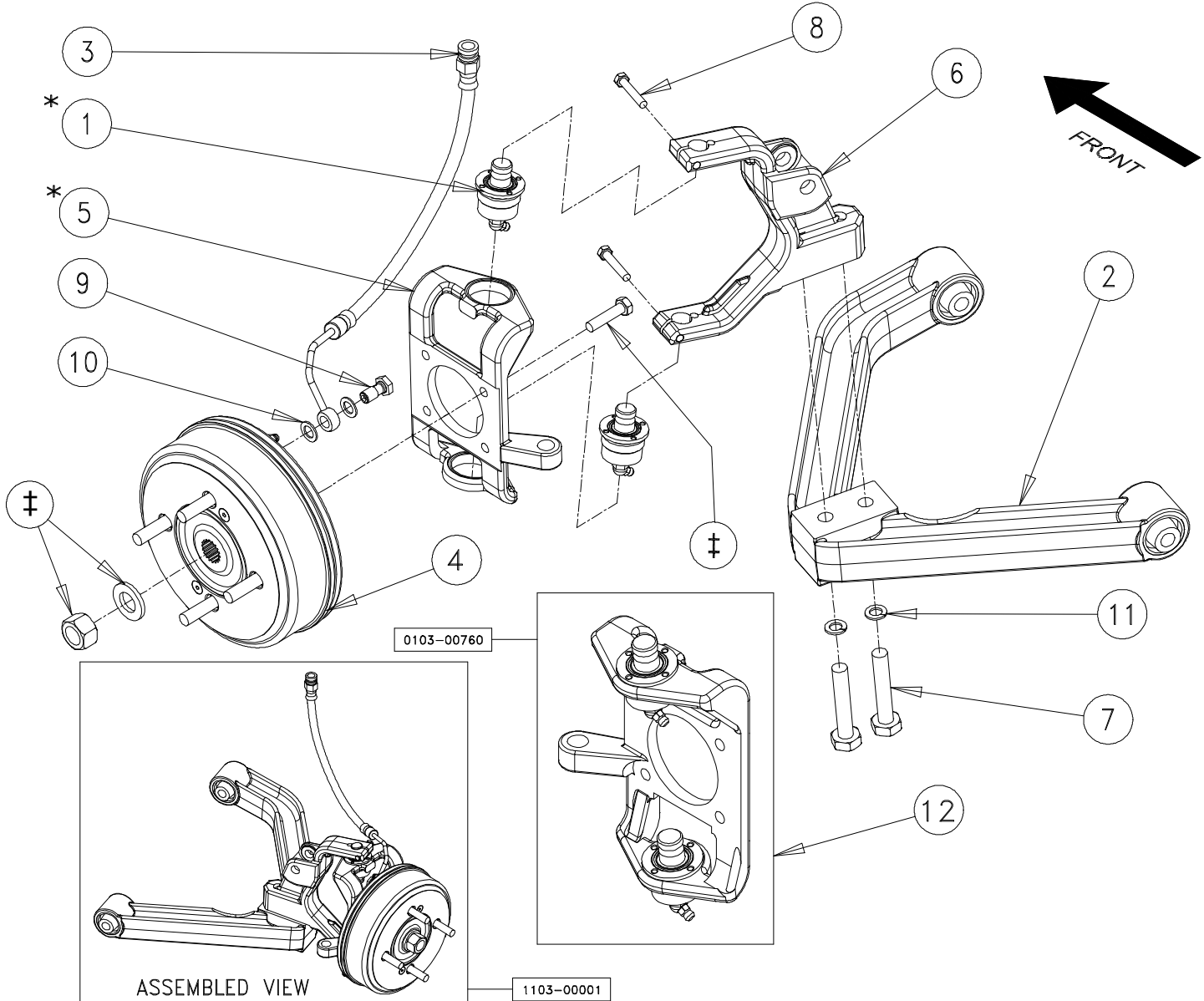
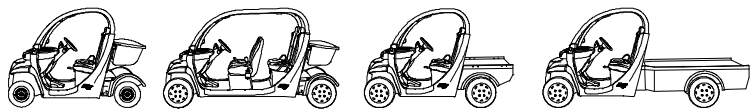
* STARRED ITEMS COME WITH ITEM #5



0102-00056 - ASSY, SUSPENSION - REAR

<u>ITEM</u>	<u>PART NO.</u>	<u>DESCRIPTION</u>	<u>QTY.</u>
1	0103-00013	ASSY, SPRING OVER SHOCK	4
2	0202-00034	WLD, SUSP FRAME / AXLE - REAR	1
3*	0302-00163	BUSHING, SUSPENSION	3
4	0521-00023	NUT, HEX - NYLOCK - M12 X 1.75	11
5	0522-00044	BOLT, HEX - HHCS - M12 X 1.75 X 90 LG GR 10.9	3
6	0522-00048	BOLT, HEX - HHCS - M12 X 1.75 X 55 LG GR 10.9	8
7	0524-00045	WASHER, FLAT - .344 ID X .750 OD X .05 THK	6

* NOT SOLD SEPERATELY



ASSY, CONTROL ARM W/WHEEL END - LH

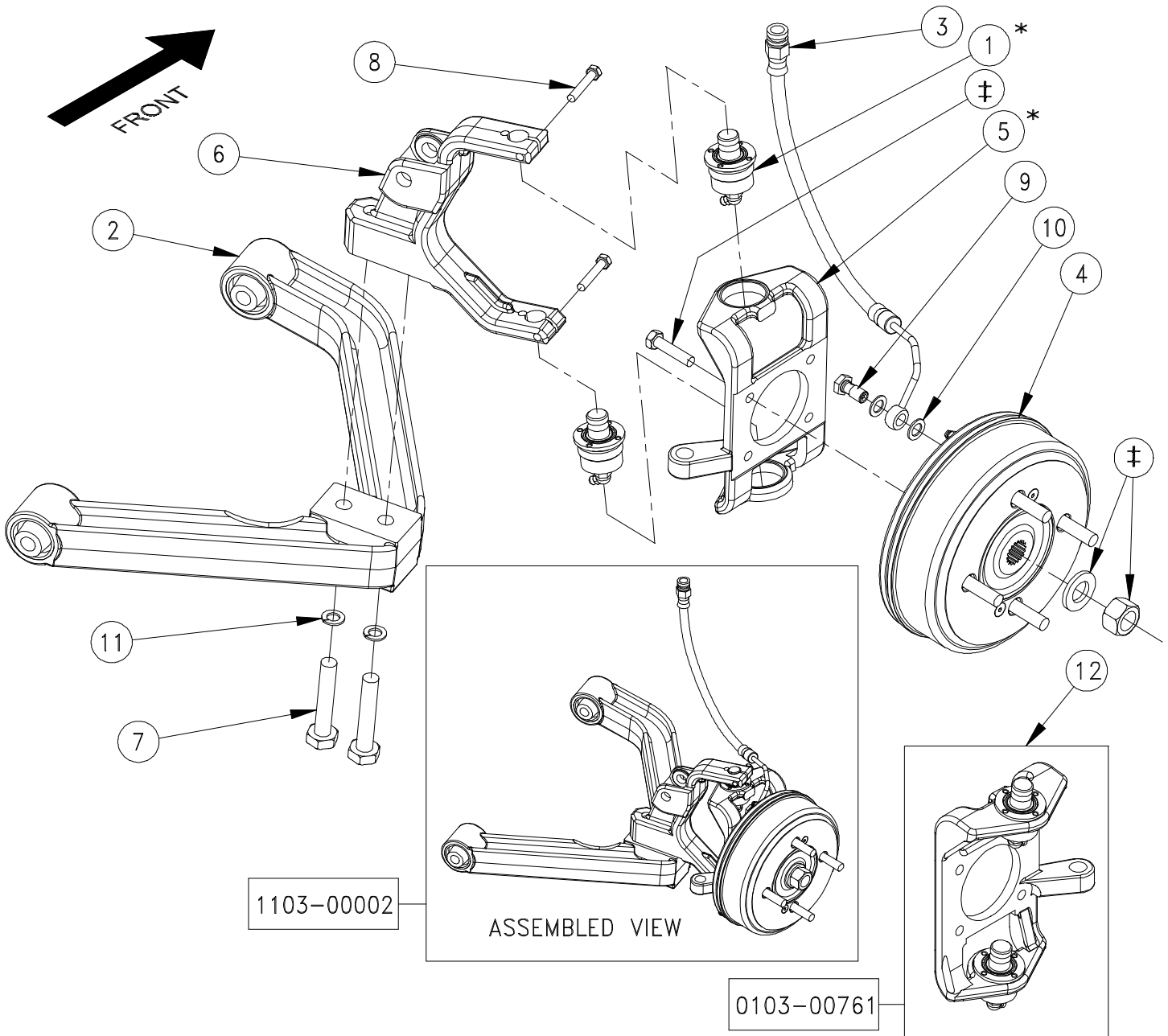
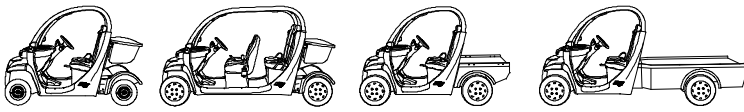
ITEM	PART NO.	DESCRIPTION	QTY.
1	* ASSY, KING PIN - QA1		2
2	0103-00326	ASSY, CONTROL ARM W/ BUSHINGS - LH	1
3	0111-00261	ASSY, BRAKE HOSE - LH FRONT (LH BRKT TO LH SC)	1
4	0116-00165	ASSY, WHEEL END KIT - FRONT (12MM STUD)	1
5	* KNUCKLE, STEERING - LH		1
6	0303-00137	YOKE, SUSPENSION	1
7	0522-00046	BOLT, HEX - HHCS - M12 X 1.75 X 65 LG GR 10.9	2
8	0522-00047	BOLT, HEX - HHCS - M6 X 1.0 X 35 LG GR 10.9	2
9	0522-00170	BOLT - BANJO	1
10	0524-00173	WASHER, COPPER	2
11	0524-00178	WASHER, LOCK - INTERNAL STAR ZINC PLATED	2

‡ THESE PARTS ARE PART OF THE WHEEL END KIT ASSY ITEM # 4 (P/N 0116-00165)

* STARRED ITEMS ARE NOT AVAILABLE SEPARATELY (ORDER P/N 0103-00760- ASSY, KNUCKLE LH - KING PIN - SERVICE ONLY)

0103-00760 ASSY, KNUCKLE LH - KING PIN - SERVICE ONLY

ITEM	PART NO.	DESCRIPTION	QTY.
12	0103-00760	ASSY, KNUCKLE LH - KING PIN - SERVICE ONLY	1



ASSY, CONTROL ARM W/WHEEL END - RH

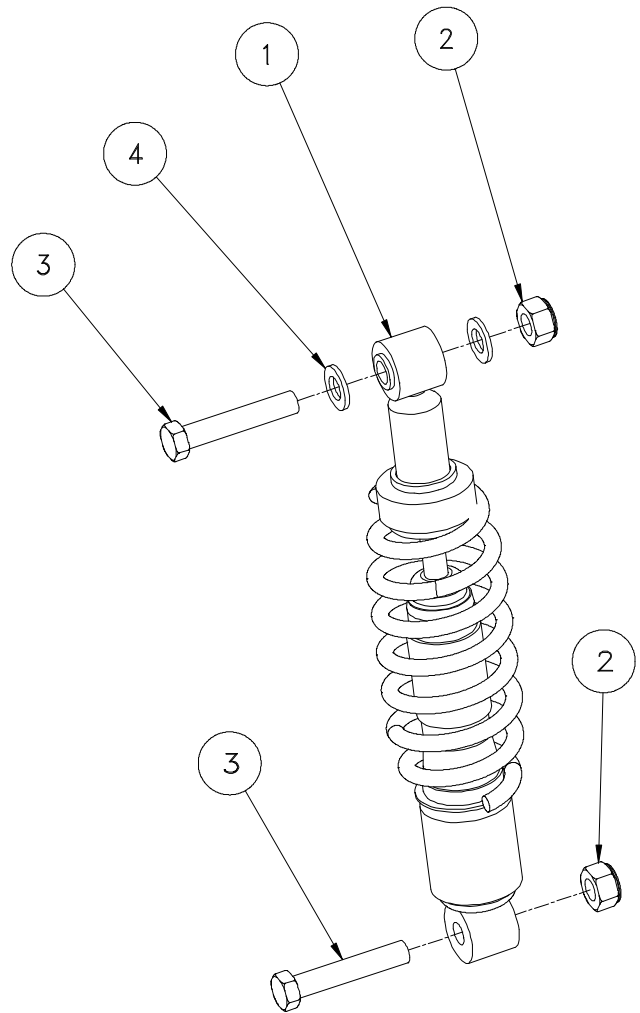
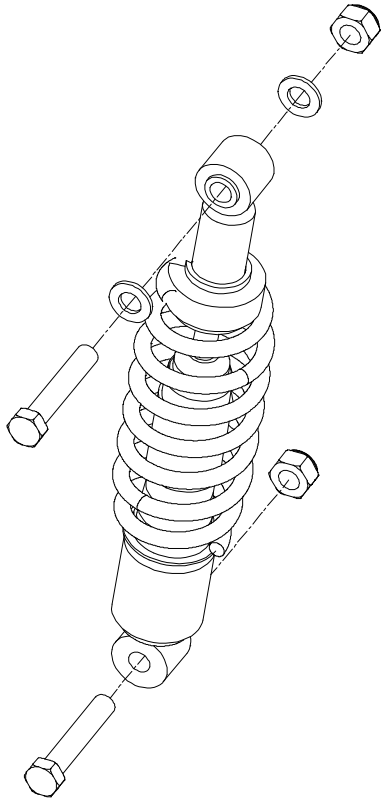
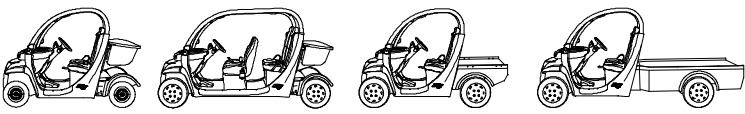
ITEM	PART NO.	DESCRIPTION	QTY.
1	* ASSY, KING PIN - QA1		2
2	0103-00327	ASSY, CONTROL ARM W/ BUSHING - RH	1
3	0111-00262	ASSY, BRAKE HOSE - RH FRONT (RH BRKT TO RH SC)	1
4	0116-00165	ASSY, WHEEL END KIT - FRONT (12MM STUD)	1
5	* KNUCKLE, STEERING - RH		1
6	0303-00137	YOKE, SUSPENSION	1
7	0522-00046	BOLT, HEX - HHCS - M12 X 1.75 X 65 LG GR 10.9	2
8	0522-00047	BOLT, HEX - HHCS - M6 X 1.0 X 35 LG GR 10.9	2
9	0522-00170	BOLT - BANJO	1
10	0524-00173	WASHER, COPPER	2
11	0524-00178	WASHER, LOCK - INTERNAL STAR ZINC PLATED	2

‡ THESE PARTS ARE PART OF THE WHEEL END KIT ASSY ITEM # 4 (P/N 0116-00165)

* STARRED ITEMS ARE NOT AVAILABLE SEPARATELY (ORDER P/N 0103-00761 - ASSY, KNUCKLE RH - KING PIN - SERVICE ONLY)

0103-00761 ASSY, KNUCKLE RH - KING PIN - SERVICE ONLY

ITEM	PART NO.	DESCRIPTION	QTY.
12	0103-00761	ASSY, KNUCKLE RH - KING PIN - SERVICE ONLY	1



1103-00018 ASSY, FRONT SHOCKS

<u>ITEM</u>	<u>PART NO.</u>	<u>DESCRIPTION</u>	<u>QTY.</u>
1	0103-00014	ASSY, SPRING	2
2	0521-00023	NUT, HEX - NYLOCK - M12 X 1.75 ZINC PLATED	4
3	0522-00046	BOLT, HEX - M12 X 1.75 X 65 LG	4
4	0524-00045	WASHER, FLAT - M12	4

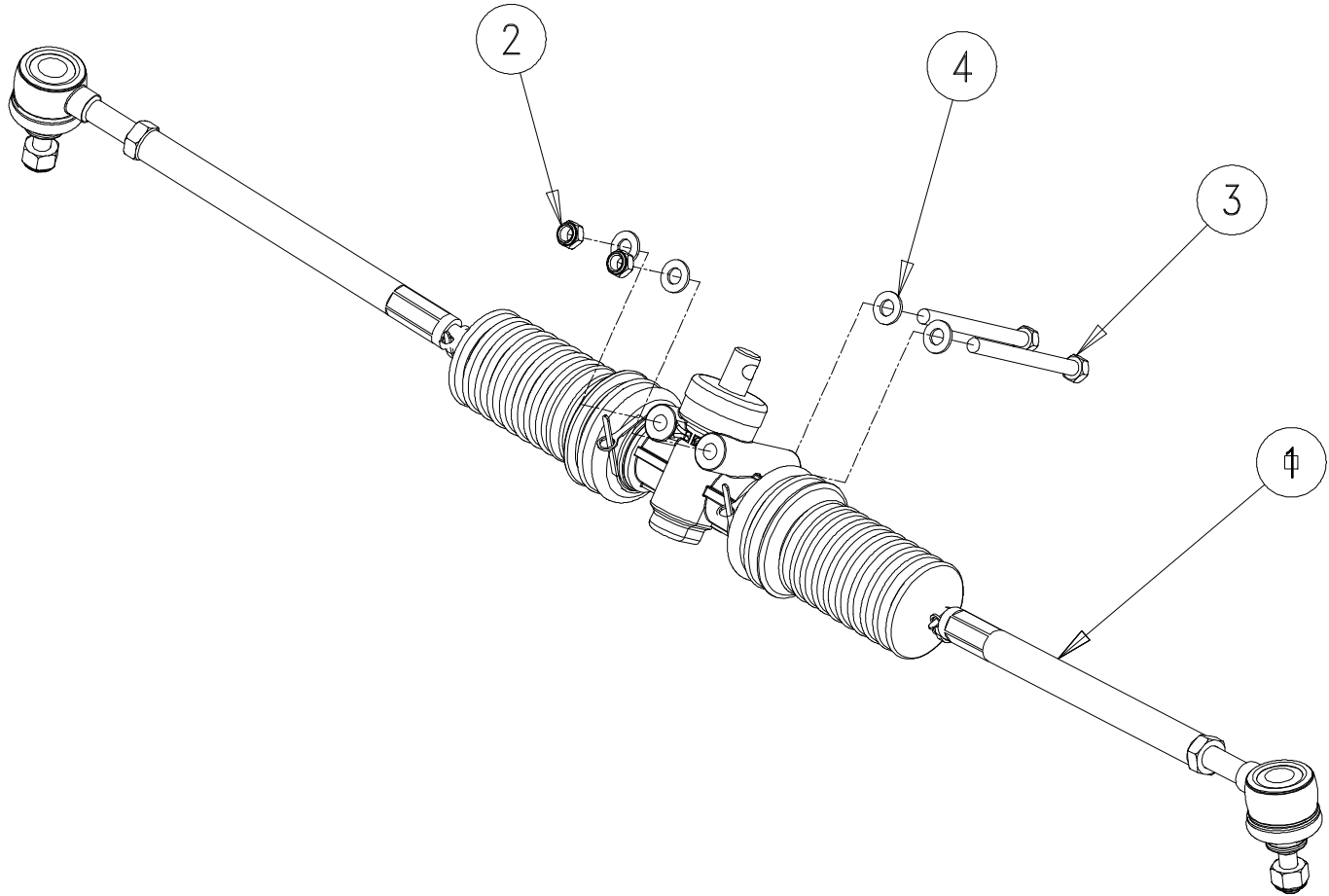
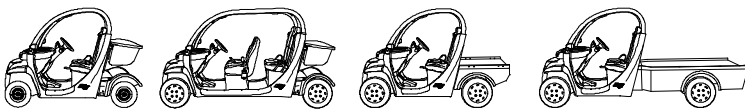


Global Electric Motorcars, LLC

A DaimlerChrysler Company

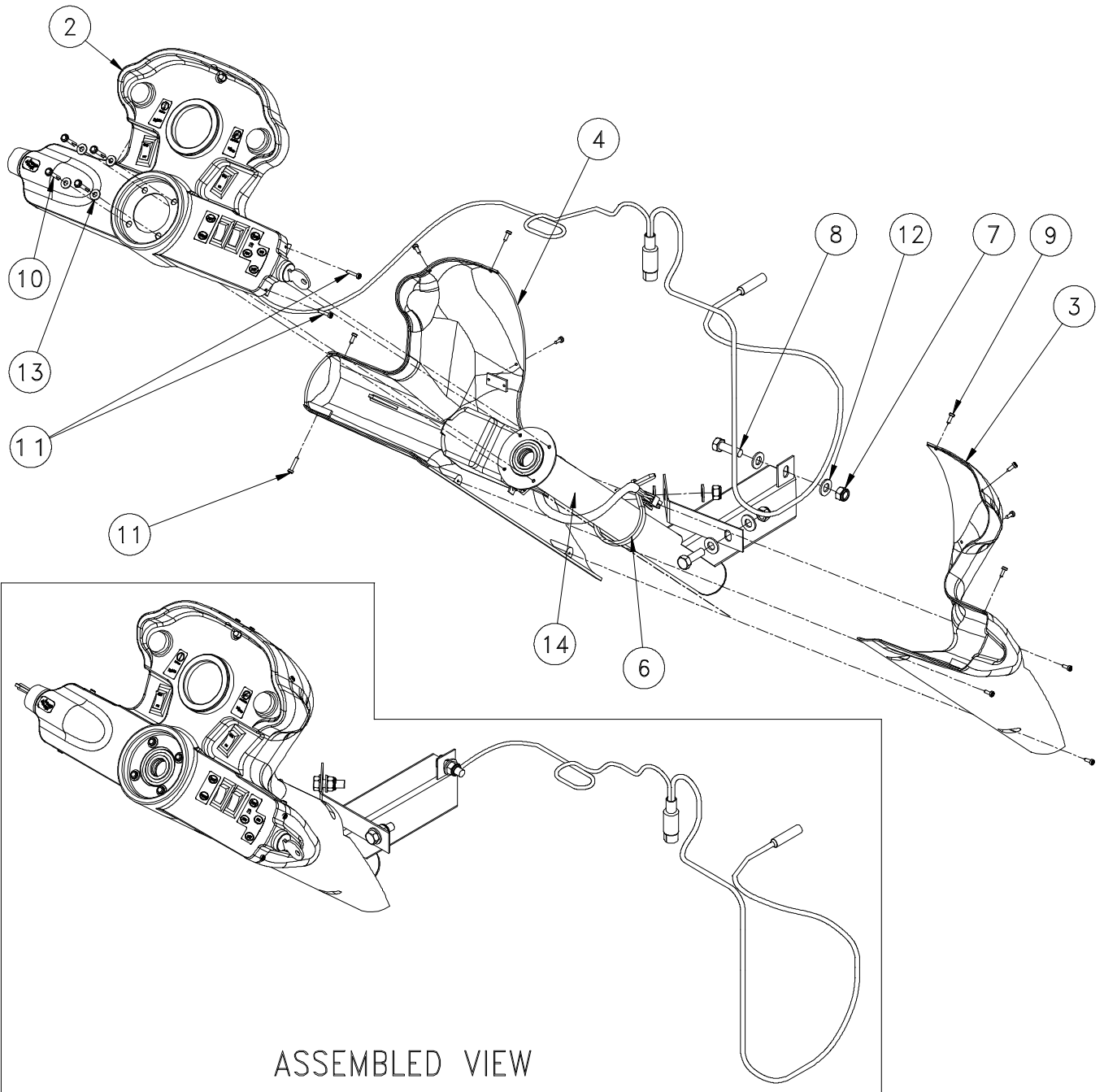
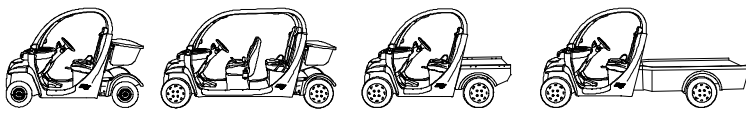
Parts Catalog

SECTION 2 - STEERING



0112-00146 ASSY, STEERING GEAR

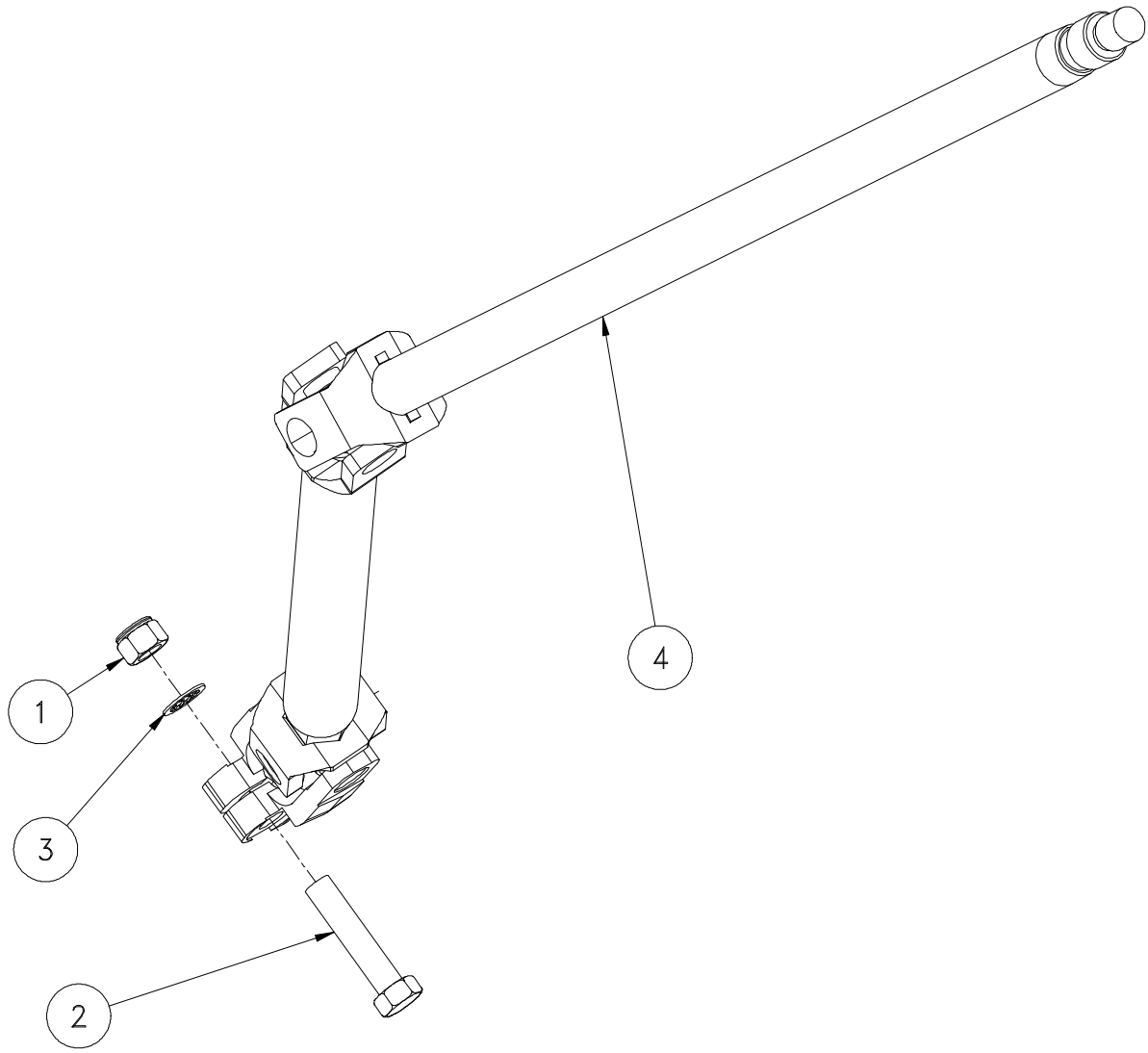
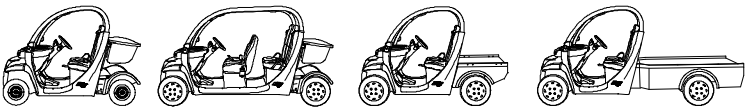
<u>ITEM</u>	<u>PART NO.</u>	<u>DESCRIPTION</u>	<u>QTY.</u>
1	0112-00646	ASSY, RACK AND PINION	1
2	0521-00112	NUT, HEX - NYLOCK M8 X 1.25 ZINC PLATED	2
3	0522-00111	BOLT, HEX - M8 X 1.25 X 90 LG GR 8.8 ZINC PLATED	2
4	0524-00003	WASHER, FLAT - 5/16 SAE	4



ASSY, STEERING COLUMN - INSTRUMENT POD

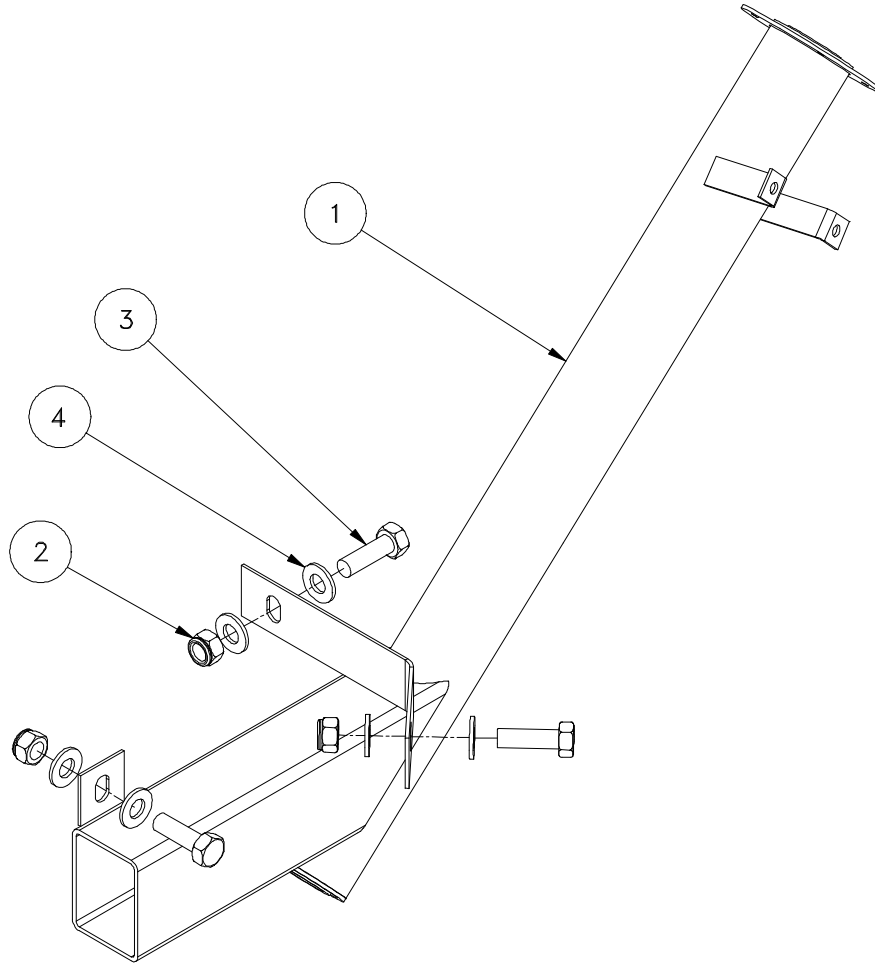
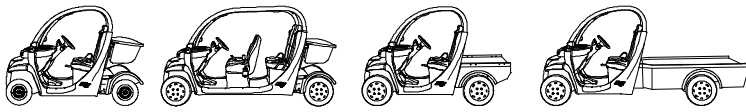
ITEM	PART NO.	DESCRIPTION	QTY.
2	0305-00846	ASSY, INSTRUMENT POD FACE	1
3	0305-00844	COWLING, INSTRUMENT POD - RH TEXTURED	1
4	0305-00845	COWLING, INSTRUMENT POD - LH TEXTURED	1
6	0510-00137	TIE, CABLE W/#10 MOUNT HOLE 9" BLACK	1
7	0521-00017	NUT, HEX - NYLOCK 5/16-18 UNC GR5 ZN	3
8	0522-00016	BOLT, HEX - HHCS 5/16 - 18 UNC X 1.0 GR 5 ZINC PLATED	3
9	0523-00165	SCREW, PHIL PAN HEAD - #4 X 3/8 PHIL PAN TAPPING 18-8 SELF THREADING	11
10	0523-00176	SCREW, HEX - WHSD #6 x 3/4 ZINC PLATED	4
11	0523-00253	SCREW, #4 x 5/8" PH PAN T/S A 18-8 18-8 SELF THREADING	3
12	0524-00003	WASHER, FLAT - 5/16 SAE .344 ID X .688 OD X .065 THK ZN	6
13	0524-00159	WASHER, FLAT .192 ID X .437 OD X .050 THK STL ZN BLK	4
14	*1112-00006	ASSY, STEERING COLUMN W/ TURN SIGNAL SWITCH	1

* Not sold separately. See page # 11.



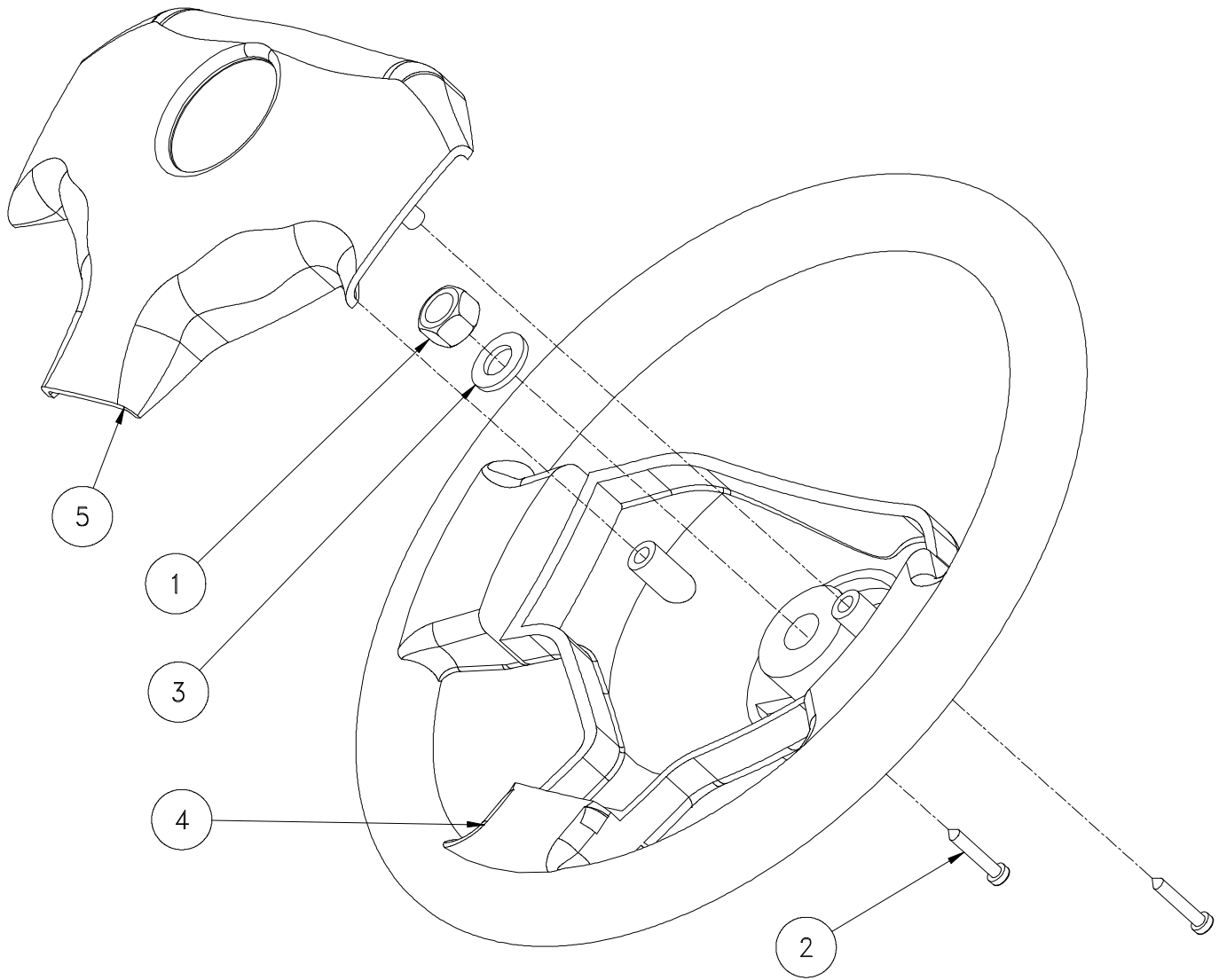
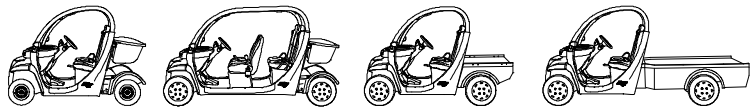
1112-00022 ASSY, STEERING SHAFT

ITEM	PART NO.	DESCRIPTION	QTY.
1	0521-00010	NUT, HEX - NYLOCK - 3/8-16 UNC GR5 ZINC PLATED	1
2	0522-00113	BOLT, HEX - HHCS 3/8-16 UNC X 1.75 LG GR 5 ZINC PLATED	1
3	0524-00178	WASHER, LOCK 3/8 INTERNAL TOOTH ZINC PLATED	1
4	0612-00033	SHAFT, STEERING	1



ASSY, STEERING COLUMN

<u>ITEM</u>	<u>PART NO.</u>	<u>DESCRIPTION</u>	<u>QTY.</u>
1	0112-00130	ASSY, STEERING COLUMN	1
2	0521-00017	NUT, HEX - NYLOCK 5/16-18 UNC GR5 ZINC PLATED	3
3	0522-00016	BOLT, HEX - HHCS 5/16 - 18 UNC X 1.0 GR 5 ZINC PLATED	3
4	0524-00003	WASHER, FLAT - 5/16 SAE .344 ID X .688 OD X .065 THK ZINC PLATED	6



0112-00148 ASSY, STEERING WHEEL

ITEM	PART NO.	DESCRIPTION	QTY.
1	0521-00114	NUT, HEX - 1/2-13 UNC GR 5 ZN	1
2	0523-00177	SCREW, HI-LOW - PHIL PAN #10 X 1 BLANK ZINC	2
3	0524-00115	WASHER, FLAT - M12	1
4	0612-00034	WHEEL, STEERING	1
5	0612-00043	COVER, STEERING WHEEL	1

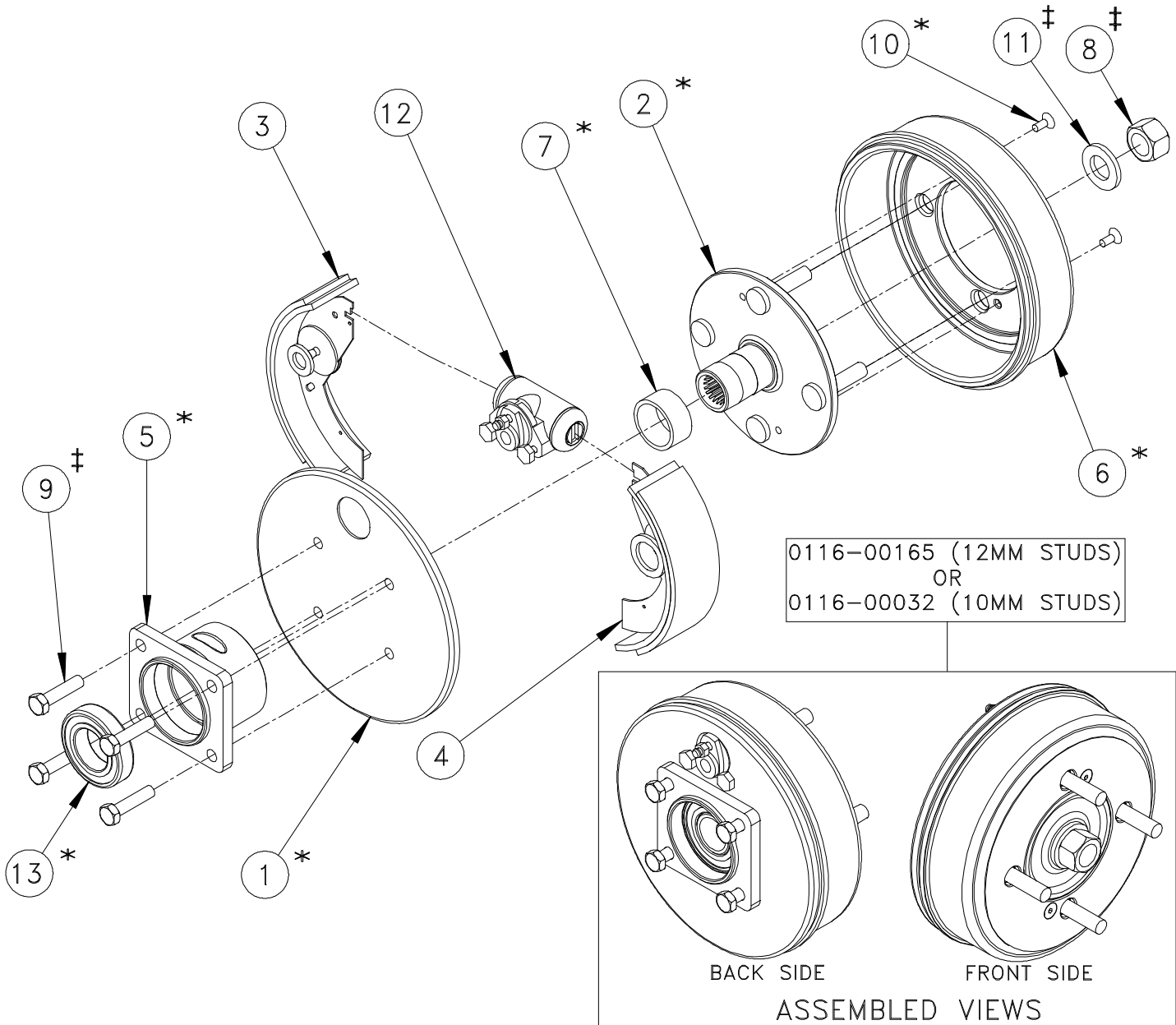
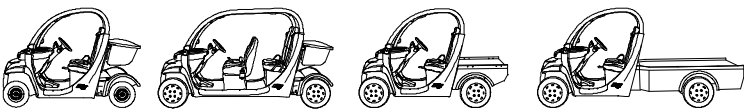


Global Electric Motorcars, LLC

A DaimlerChrysler Company

Parts Catalog

SECTION 3 - WHEEL END COMPONENTS



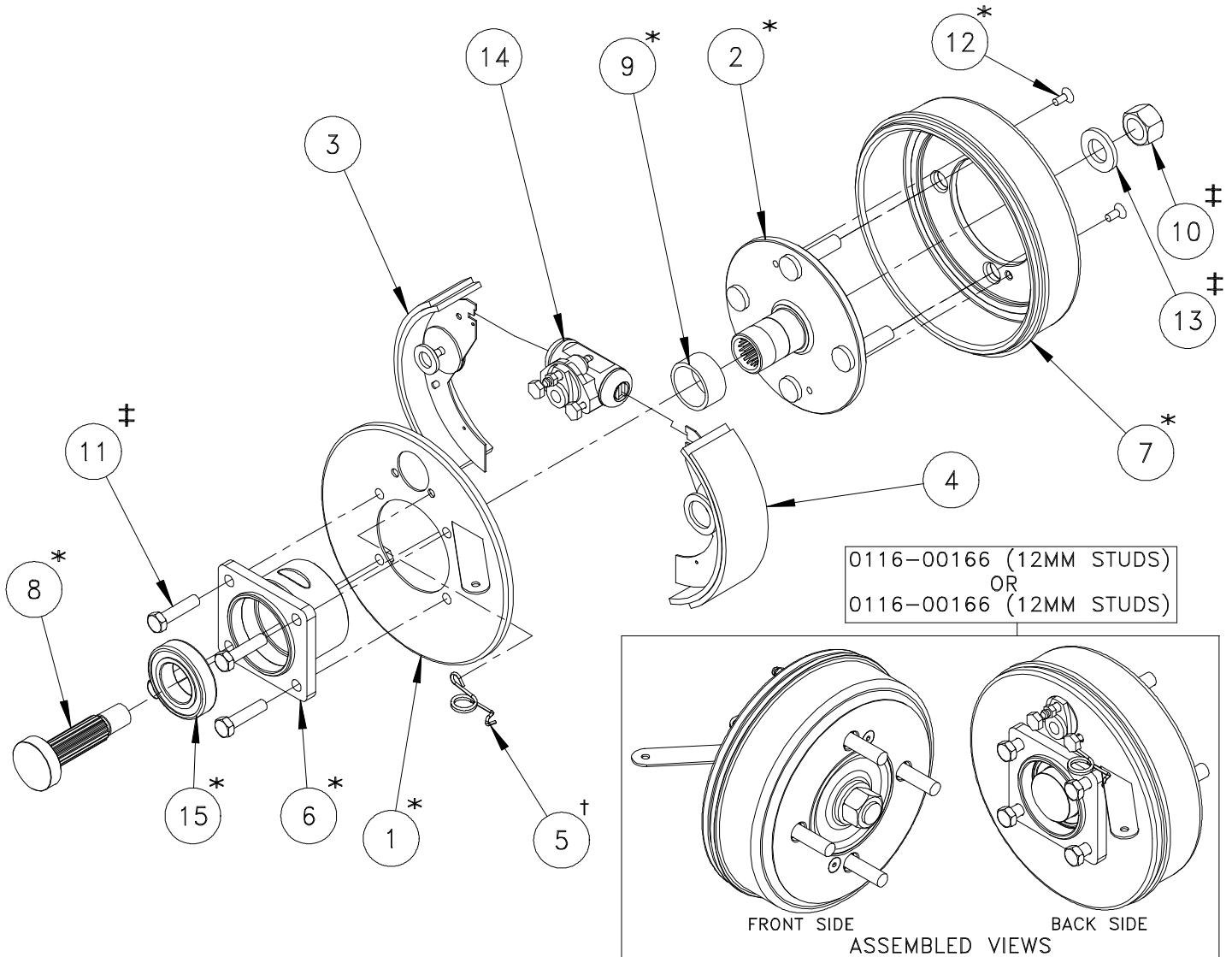
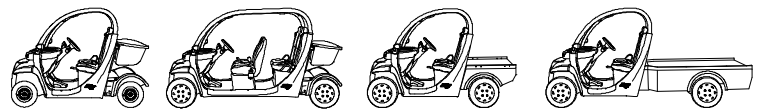
0116-00165 ASSY, WHEEL END KIT - FRONT (12MM STUDS)

0116-00032 ASSY, WHEEL END - FRONT (10MM STUDS)

ITEM	PART NO.	DESCRIPTION	QTY.
1	* 0111-00035	ASSY, BRAKE - FRONT	1
2	* 0116-00030	ASSY, HUB	1
3	0311-00833	SHOE, BRAKE RIGHT	1
4	0311-00834	SHOE, BRAKE LEFT	1
5	* 0316-00121	SPINDLE	1
6	* 0316-00124	DRUM	1
7	* 0316-00126	TUBE, SPACER - BEARING	1
8	‡ 0521-00035	NUT, HEX - TOP LOCK - M16 X 1.5 GRADE 12	1
9	‡ 0522-00038	BOLT, HEX - HHCS - M8 X 1.25 X 34.5 GR 8.8	4
10	* 0523-00033	SCREW, HEX SOCKET - CNTSK M5 X .8 X 12 LG GR 10.9	2
11	‡ 0524-00036	WASHER, FLAT - M16 NARROW 17.52 ID 32 OD	1
12	0611-00202	KIT, CYLINDER - BRAKES - FRONT	1
13	* 0616-00004	BEARING, ROLLER	1

* STARRED ITEMS ARE NOT AVAILABLE SEPARATELY

‡ ITEMS ARE NOT INCLUDED WITH 0116-00165 & 0116-00032



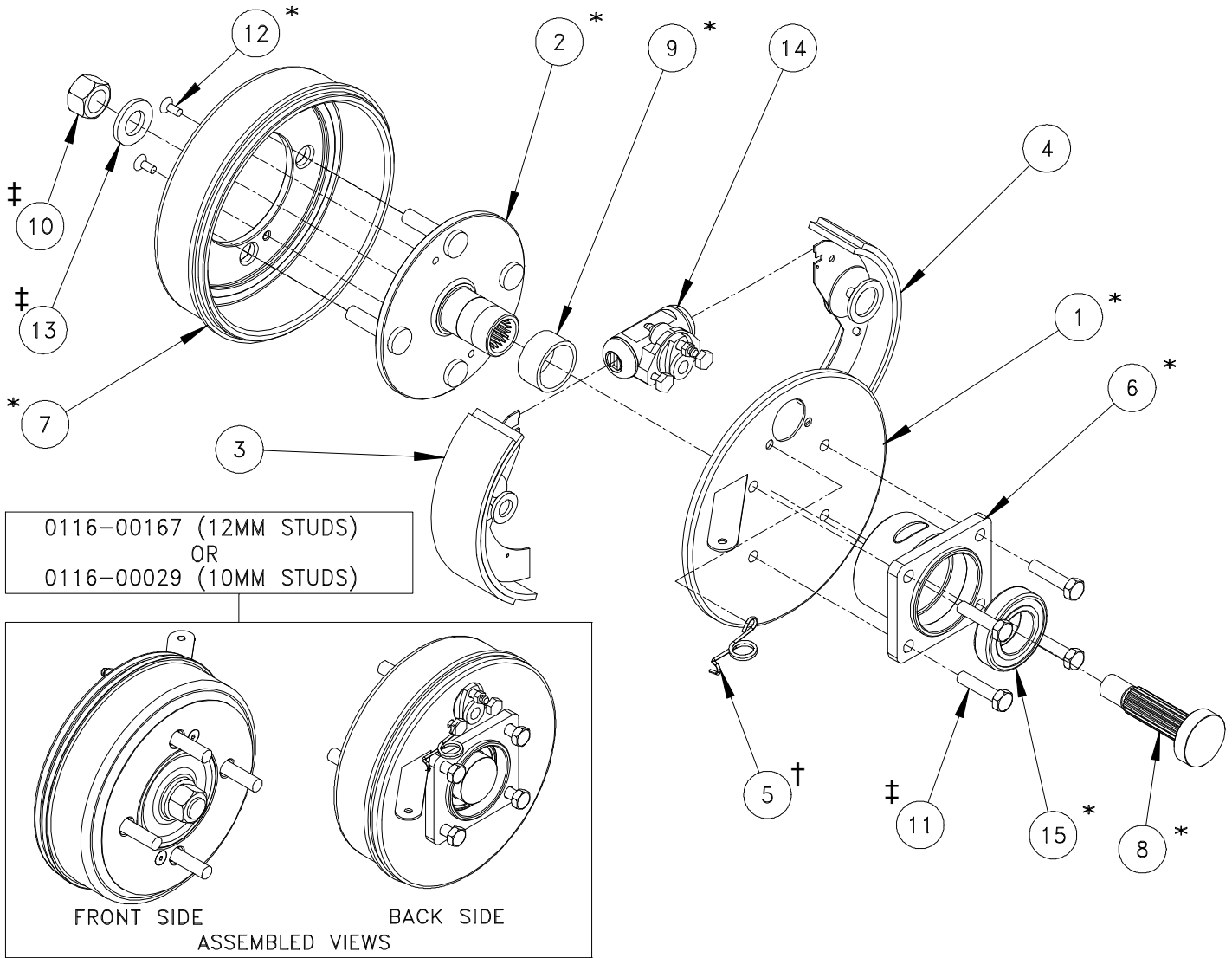
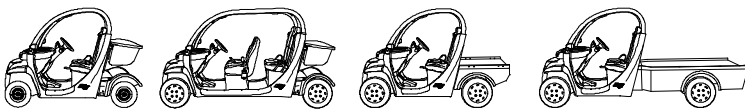
0116-00166 ASSY, WHEEL END - RH REAR (12MM STUDS)
0116-00031 ASSY, WHEEL END - RH REAR (10MM STUDS)

ITEM	PART NO.	DESCRIPTION	QTY.
1	* 0111-00034	ASSY, BRAKE - RH REAR	1
2	* 0116-00030	ASSY, HUB	1
3	0311-00833	SHOE, BRAKE RIGHT	1
4	0311-00834	SHOE, BRAKE LEFT	1
5	† 0311-00884	SPRING, E-BRAKE RELEASE LH	1
6	* 0316-00121	SPINDLE	1
7	* 0316-00124	DRUM	1
8	* 0316-00125	SHAFT, AXLE	1
9	* 0316-00126	TUBE, SPACER - BEARING	1
10	‡ 0521-00035	NUT, HEX - TOP LOCK - M16 X 1.5 GRADE 12	1
11	‡ 0522-00038	BOLT, HEX - HHCS - M8 X 1.25 X 34.5 GR 8.8	4
12	* 0523-00033	SCREW, HEX SOCKET - CNTSK M5 X .8 X 12 LG GR 10.9	2
13	‡ 0524-00036	WASHER, FLAT - M16 NARROW 17.52 ID 32 OD	1
14	0611-00203	KIT, CYLINDER - BRAKE - REAR	1
15	* 0616-00004	BEARING, ROLLER	1

* STARRED ITEMS ARE NOT AVAILABLE SEPARATELY

‡ ITEMS ARE NOT INCLUDED WITH 0116-00166 & 0116-00031

† ITEM DOES NOT COME WITH 0116-00031, PLEASE ORDER SEPARATELY



0116-00167 ASSY, WHEEL END KIT - LH REAR (12MM STUD)

0116-00029 ASSY, WHEEL END - LH REAR (10MM STUD)

ITEM	PART NO.	DESCRIPTION	QTY.
1	* 0111-00033	ASSY, BRAKE - LH REAR	1
2	* 0116-00030	ASSY, HUB	1
3	0311-00833	SHOE, BRAKE RIGHT	1
4	0311-00834	SHOE, BRAKE LEFT	1
5	† 0311-00883	SPRING, E-BRAKE RELEASE RH	1
6	* 0316-00121	SPINDLE	1
7	* 0316-00124	DRUM	1
8	* 0316-00125	SHAFT, AXLE	1
9	* 0316-00126	TUBE, SPACER - BEARING	1
10	‡ 0521-00035	NUT, HEX - TOP LOCK - M16 X 1.5 GRADE 1	1
11	‡ 0522-00038	BOLT, HEX - HHCS - M8 X 1.25 X 34.5 GR 8.8	4
12	* 0523-00033	SCREW, HEX SOCKET - CNTSK M5 X .8 X 12 LG GR 10.9	2
13	‡ 0524-00036	WASHER, FLAT - M16 NARROW 17.52 ID 32 OD	1
14	0611-00203	KIT, CYLINDER - BRAKE - REAR	1
15	* 0616-00004	BEARING, ROLLER	1

* STARRED ITEMS ARE NOT AVAILABLE SEPARATELY

‡ ITEMS ARE NOT INCLUDED WITH 0116-00166 & 0116-00031

† ITEM DOES NOT COME WITH 0116-00031, PLEASE ORDER SEPARATELY

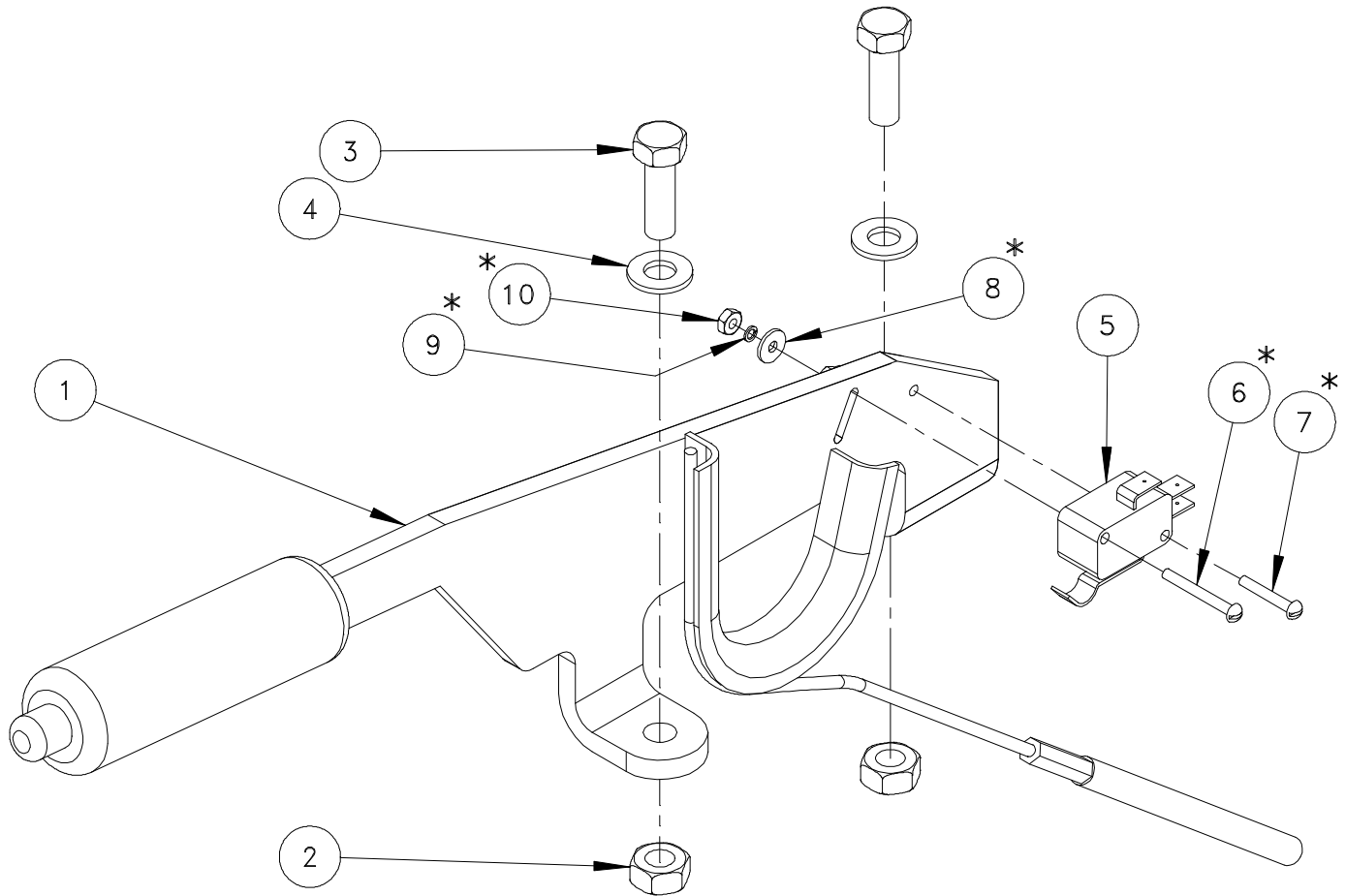


Global Electric Motorcars, LLC

A DaimlerChrysler Company

Parts Catalog

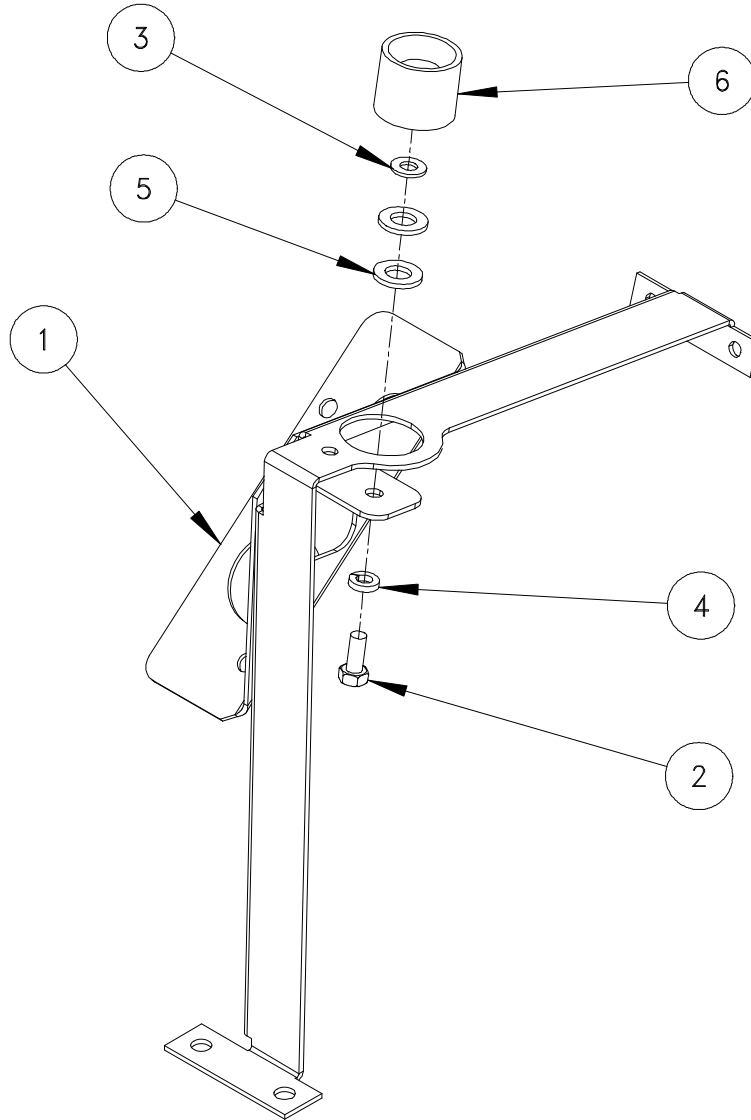
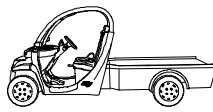
SECTION 4 - BRAKES



1111-00065 ASSY, PARKING BRAKE LEVER

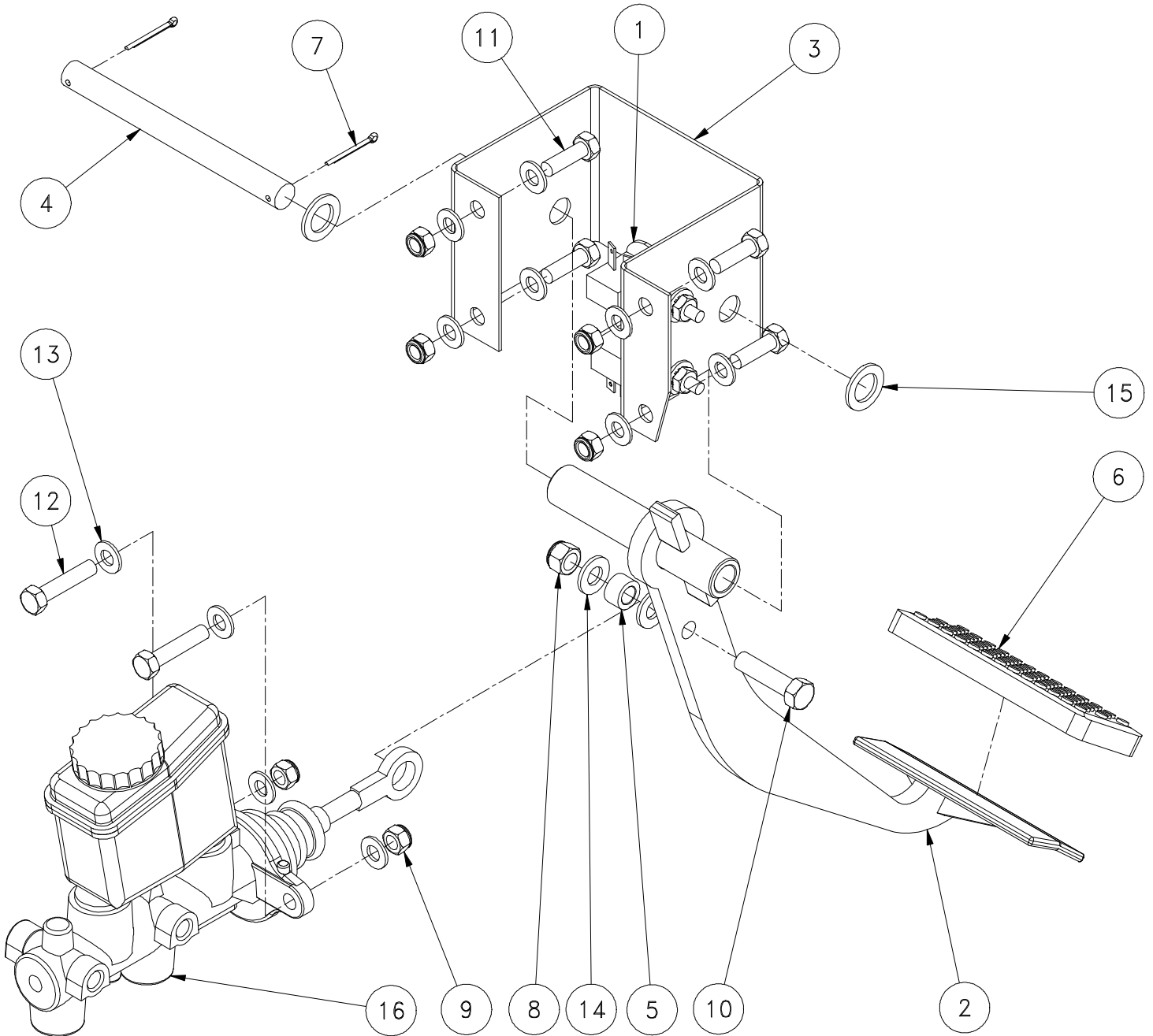
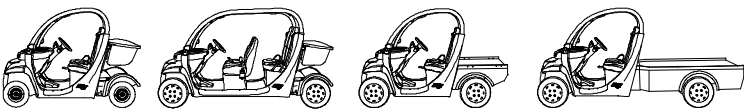
ITEM	PART NO.	DESCRIPTION	QTY.
1	0111-00336	ASSY, PARKING BRAKE LEVER	1
2	0521-00031	NUT, HEX - 5/16-18 UNC GR 5 ZN	2
3	0522-00016	BOLT, HEX - HHCS	2
4	0524-00003	WASHER, FLAT - 5/16 SAE	2
5	0306-00120	SWITCH, PARKING BRAKE LEVER	1
6	*0523-00026	SCREW, MACHINE - SLOTTED RND HEAD NO 4 - 40 X 1.0	1
7	*0523-00027	SCREW, MACHINE - SLOTTED RND HEAD NO 4 - 40 X .75	1
8	*0524-00028	WASHER, FLAT - NO. 4	1
9	*0524-00029	WASHER, LOCK - N04	1
10	*0521-00030	NUT, HEX - #4-40 UNC ZN	1

*STARRED ITEMS ARE NOT AVAILABLE SEPARATELY



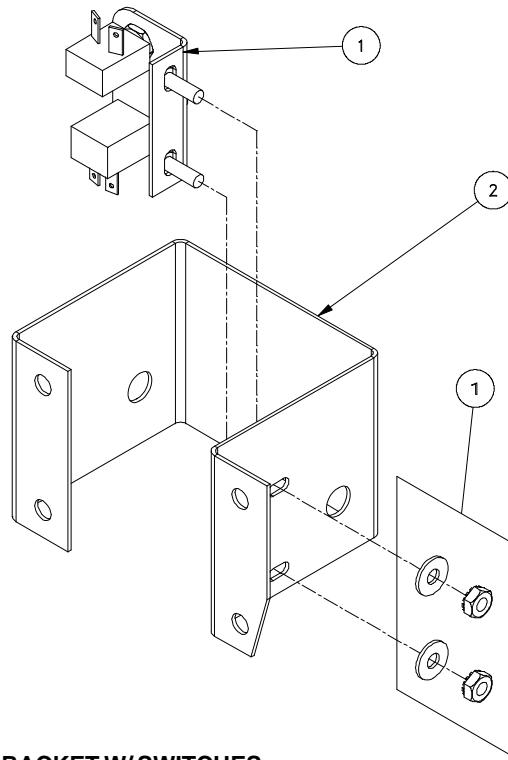
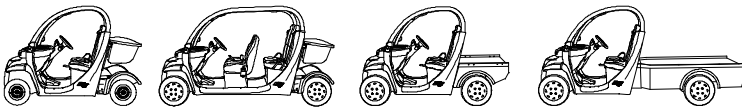
0111-00629 ASSY, PARK BRAKE LEVER BRACKET

<u>ITEM</u>	<u>PART NO.</u>	<u>DESCRIPTION</u>	<u>QTY.</u>
1	0211-00113	WLD, PARK BRAKE LEVER BRACKET	1
2	0522-00144	BOLT, HEX - HHCS	1
3	0524-00003	WASHER, FLAT - 5/16 SAE	1
4	0524-00081	WASHER, LOCK - 1/2	1
5	0524-00115	WASHER, FLAT - M12	2
6	0605-00237	SOCKET, SEAT HOLD DOWN	1



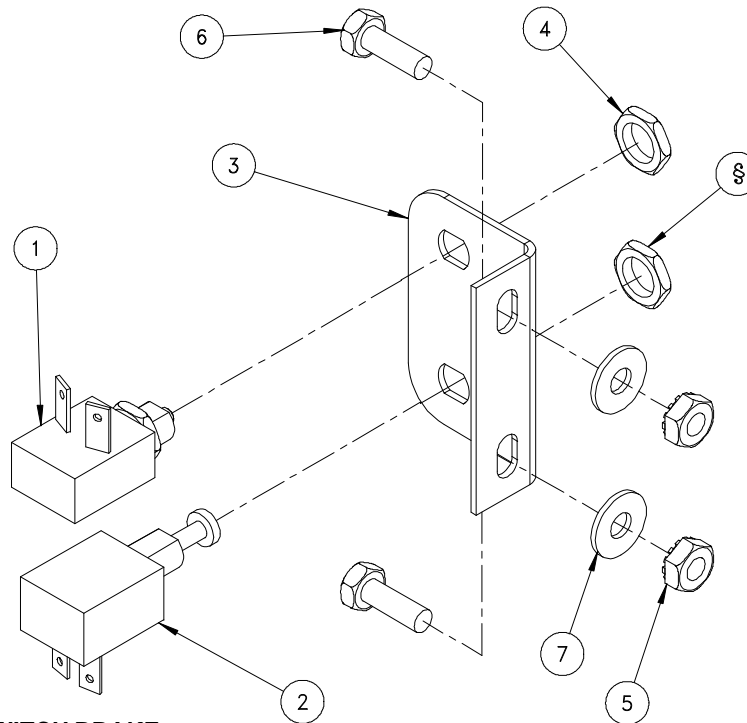
ASSY, MASTER CYLINDER & BRAKE PEDAL BRACKET W/ SWITCHES

<u>ITEM</u>	<u>PART NO.</u>	<u>DESCRIPTION</u>	<u>QTY.</u>
1	0106-00230	ASSY, SWITCH BRAKE	1
2	0211-00116	WLDMT, BRAKE PEDAL	1
3	0311-00077	BRKT, BRAKE PEDAL	1
4	0311-00087	SHAFT, BRAKE PEDAL	1
5	0311-00089	BUSHING, PUSH ROD MNT	1
6	0311-00285	PAD, BRAKE PEDAL	1
7	0510-00007	PIN, COTTER 3/32 X 1.0 LONG	2
8	0521-00010	NUT, HEX - NYLOCK 3/8-16 UNC GR5 ZN	1
9	0521-00017	NUT, HEX - NYLOCK 5/16-18 UNC GR5 ZN	6
10	0522-00008	BOLT, HEX - HHCS 3/8-16 UNC x 1.5 LG GR 5 ZINC PLATED	1
11	0522-00016	BOLT, HEX - HHCS 5/16 - 18 UNC X 1.0 GR 5 ZINC PLATED	4
12	0522-00084	BOLT, HEX - HHCS 5/16 - 18 UNC X 1.5 GR 5 ZINC PLATED	2
13	0524-00003	WASHER, FLAT - 5/16 SAE .344 ID X .688 OD X .065 THK ZN	12
14	0524-00009	WASHER, FLAT - 3/8 SAE .406 ID X .8125 OD X .080 THK ZN	2
15	0524-00153	WASHER, FLAT - 5/8 MACH BUSHING 5/8 ID X 1.0 OD X .080 ZN	2
16	0611-00051	CYLINDER, MASTER	1



1111-00005 ASSY, BRAKE PEDAL BRACKET W/ SWITCHES

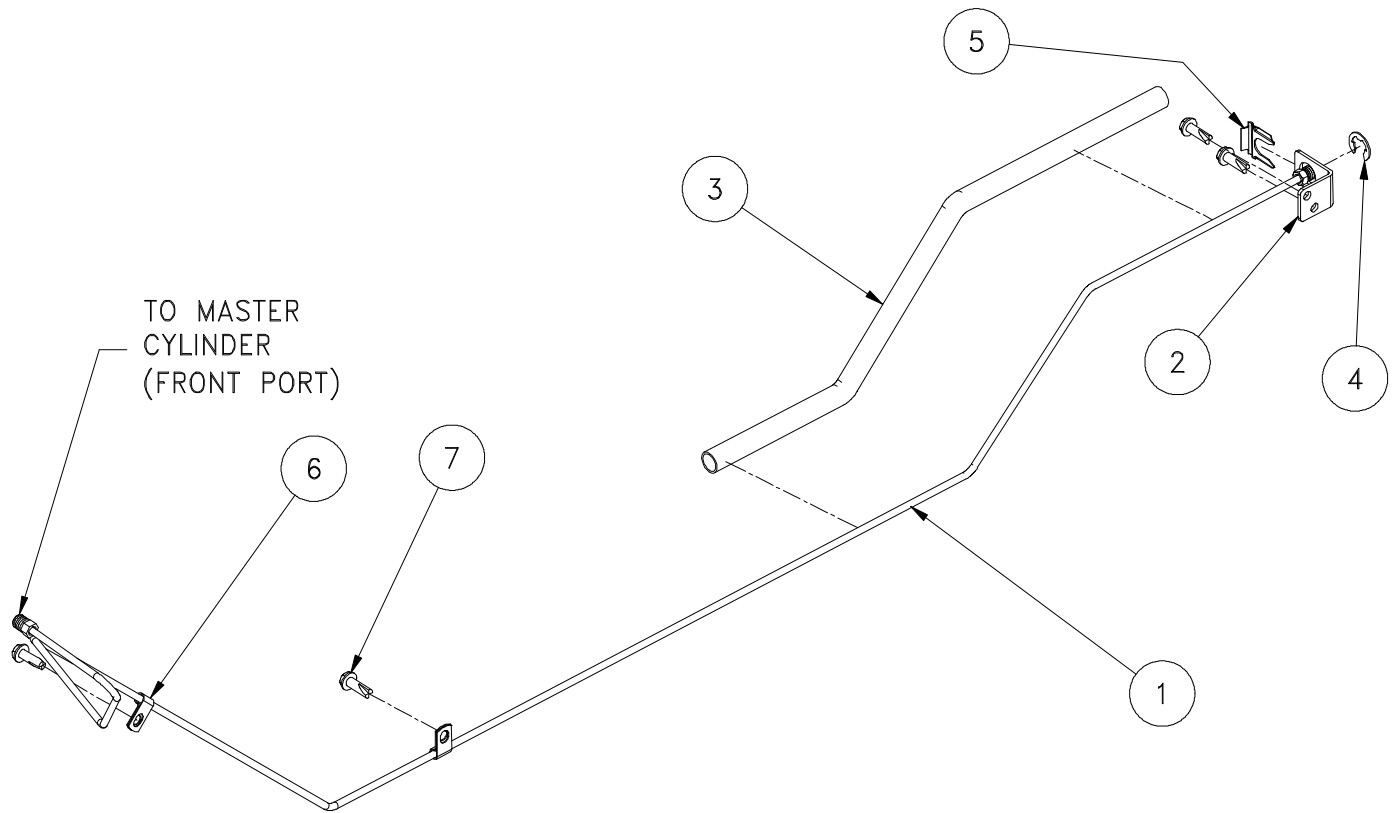
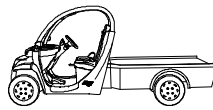
<u>ITEM</u>	<u>PART NO.</u>	<u>DESCRIPTION</u>	<u>QTY.</u>
1	0106-00230	ASSY, SWITCH BRAKE	1
2	0311-00077	BRKT, BRAKE PEDAL	1



0106-00230 ASSY, SWITCH BRAKE

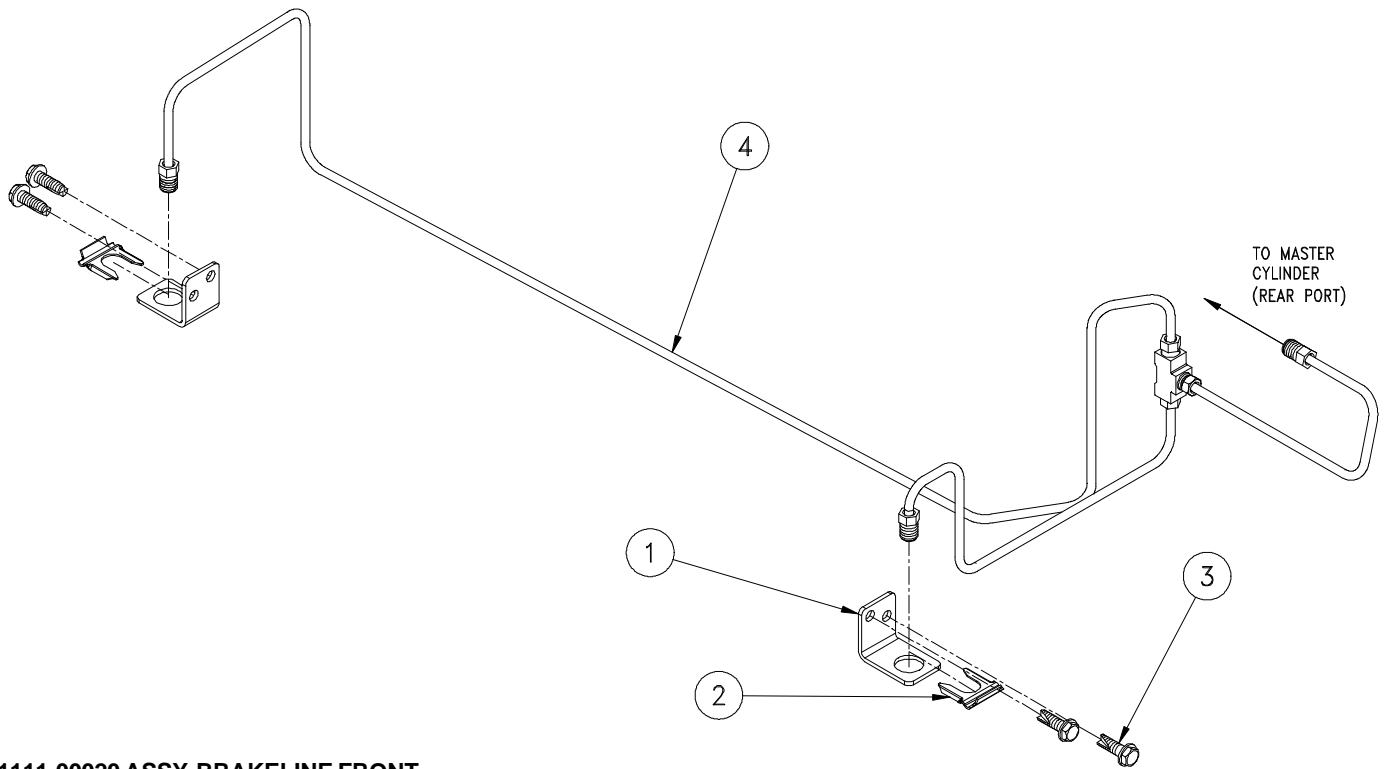
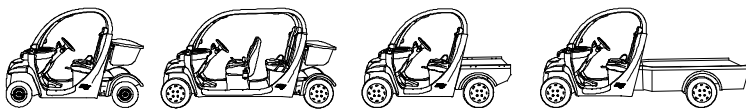
<u>ITEM</u>	<u>PART NO.</u>	<u>DESCRIPTION</u>	<u>QTY.</u>
1	0306-00107	SWITCH, BRAKE LAMP	1
2	0306-00108	SWITCH, BRAKE FAILURE - WARNING	1
3	0311-00105	BRKT, SWITCH - BRAKE	1
4	0521-00013	NUT, HEX - PANEL ZINC PLATED	1
5	0521-00071	NUT, KEPS - 1/4 - 20 UNC ZINC PLATED	2
6	0522-00179	BOLT, HEX 1/4-20 UNC X .75 LG SERATED WASHER HD	2
7	0524-00062	WASHER, FLAT - 1/4 .282 ID X .715 OD X .063 THK ZINC PLATED	2

§ THIS PART COMES AS AN ASSEMBLY OF ITEM # 2 AND IS SHOWN EXPLODED FOR ASSEMBLY REFERENCE



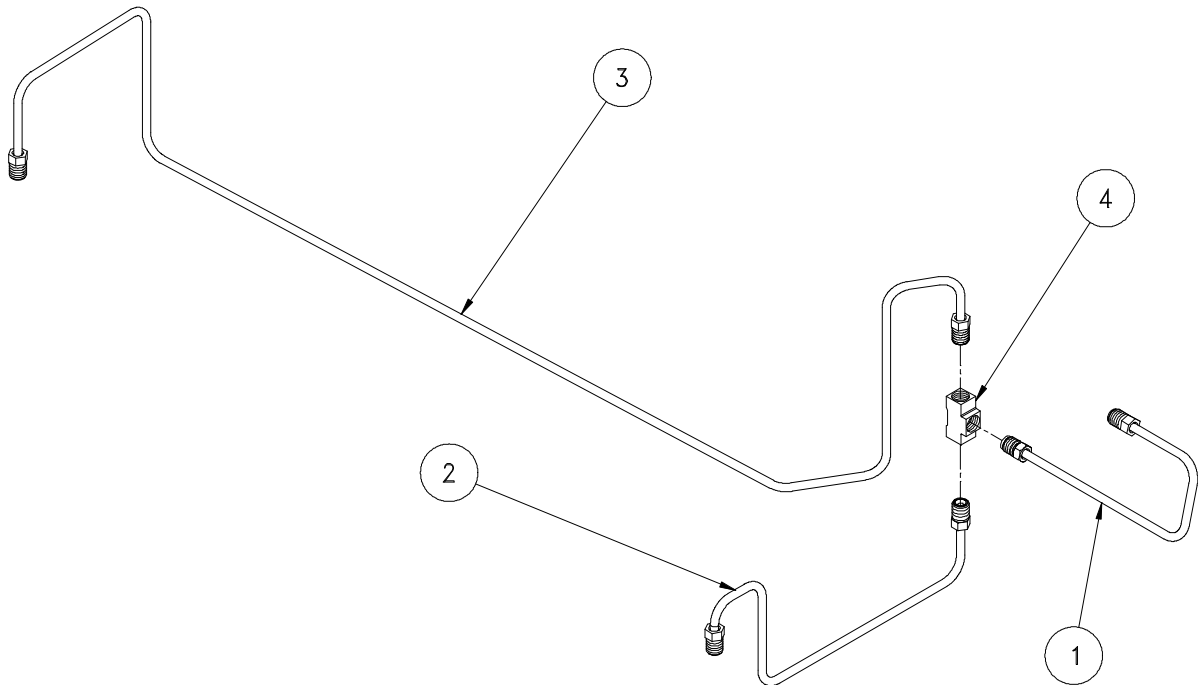
1111-00019 ASSY, BRAKE LINE - REAR - 2 PASS

<u>ITEM</u>	<u>PART NO.</u>	<u>DESCRIPTION</u>	<u>QTY.</u>
1	0111-00267	ASSY, BRAKELINE - REAR (MC TO BRKT)	1
2	0311-00533	BRACKET, BRAKE HOSE	1
3	0319-00534	HOSE, COVER	1
4	0510-00018	CLIP, E - 7/16 SHAFT	1
5	0510-00169	CLIP, HORSE SHOE	1
6	0510-00171	CLAMP, P - 3/8 WIRE	2
7	0523-00032	SCREW, HEX - WHSD 1/4 X .75 ZN	4



1111-00020 ASSY, BRAKELINE FRONT

<u>ITEM</u>	<u>PART NO.</u>	<u>DESCRIPTION</u>	<u>QTY.</u>
1	0311-00533	BRACKET, BRAKE HOSE	2
2	0510-00169	CLIP, HORSE SHOE	2
3	0523-00032	SCREW, HEX - WHSD 1/4 X .75 ZN	4
4	1111-00003	ASSY, BRAKELINE - STEEL FRONT	1



1111-00003 ASSY, BRAKELINE - STEEL FRONT

<u>ITEM</u>	<u>PART NO.</u>	<u>DESCRIPTION</u>	<u>QTY.</u>
1	0111-00263	ASSY, BRAKE LINE - FRONT (MC TO TEE)	1
2	0111-00264	ASSY, BRAKE LINE - FRONT LH (LH BRKT TO TEE)	1
3	0111-00265	ASSY, BRAKE LINE - FRONT CROSSOVER (TEE TO RH BRKT)	1
4	0611-00132	FITTING, TEE UNION	1

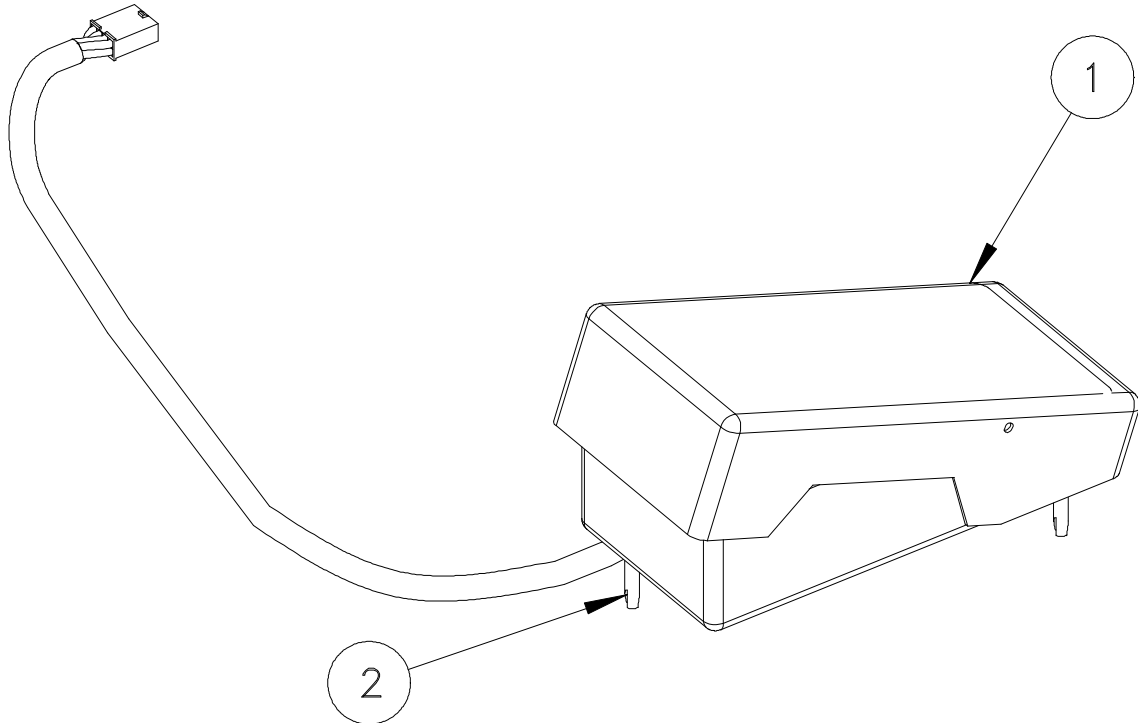
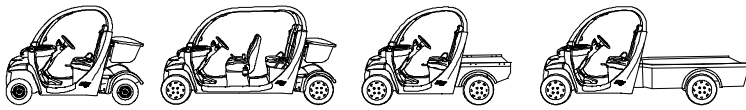


Global Electric Motorcars, LLC

A DaimlerChrysler Company

Parts Catalog

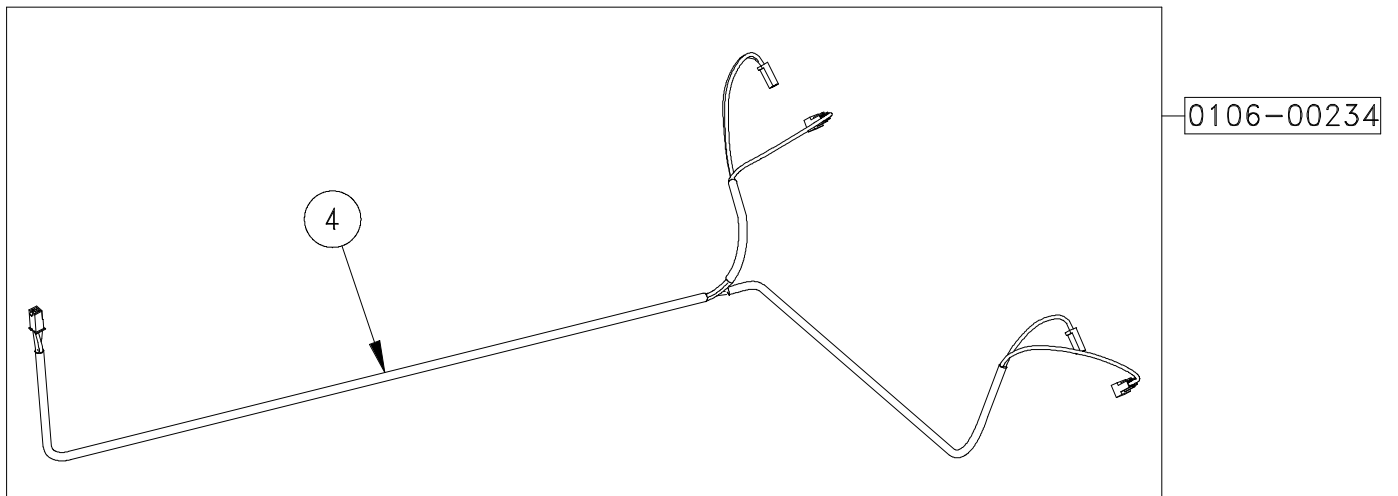
SECTION 5 - ELECTRICAL



0106-00018 ASSY, SPEED CONTROL - 72

<u>ITEM</u>	<u>PART NO.</u>	<u>DESCRIPTION</u>
1	0106-00019	ASSY, FOOT CONTROL - POTENTIOMETER 72V
2	0523-00122	SCREW, HEX - WASHER HEAD SELF DRILL 1/4

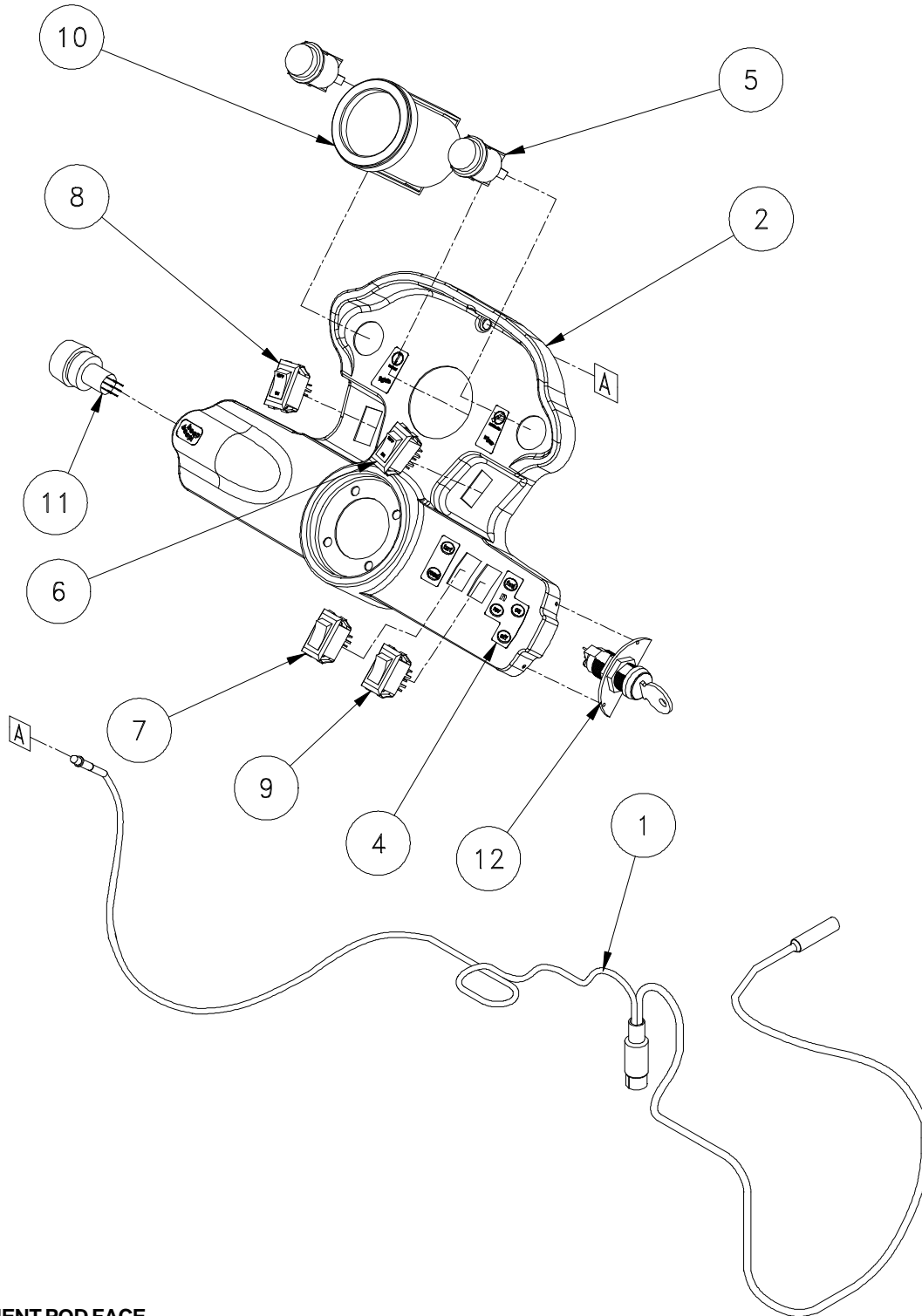
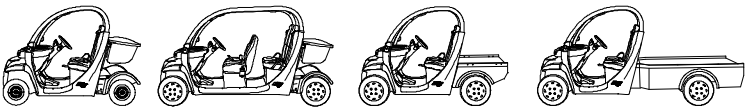
<u>QTY.</u>
1
2



0106-00234 ASSY, WIRE HARNESS - TAIL LIGHT

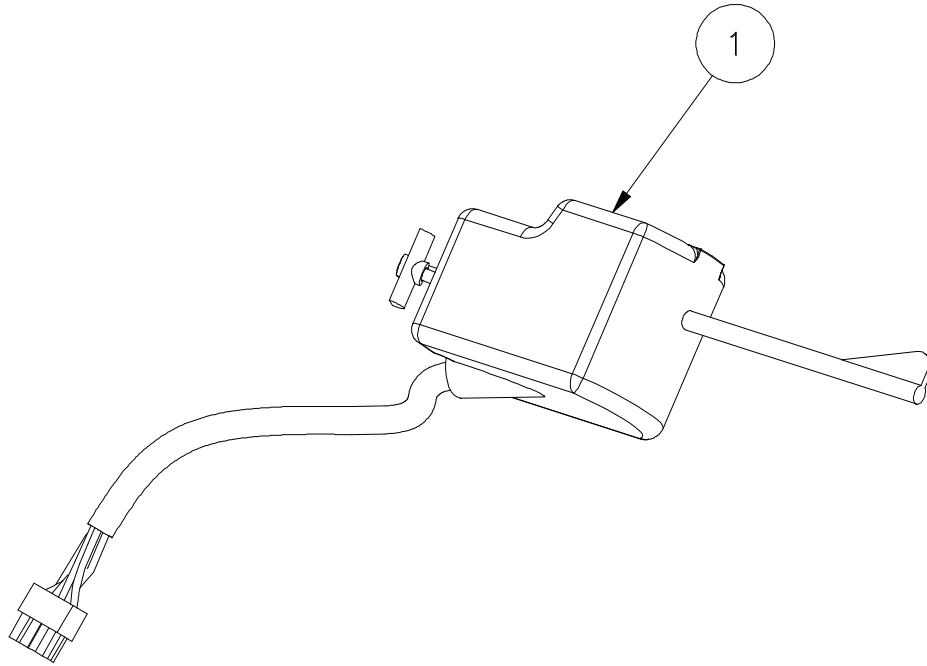
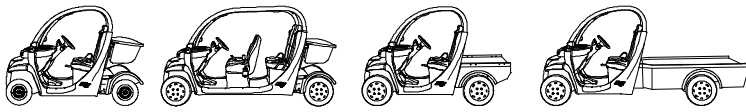
<u>ITEM</u>	<u>PART NO.</u>	<u>DESCRIPTION</u>
4	0106-00234	ASSY, WIRE HARNESS - TAIL LIGHT

<u>QTY.</u>
1

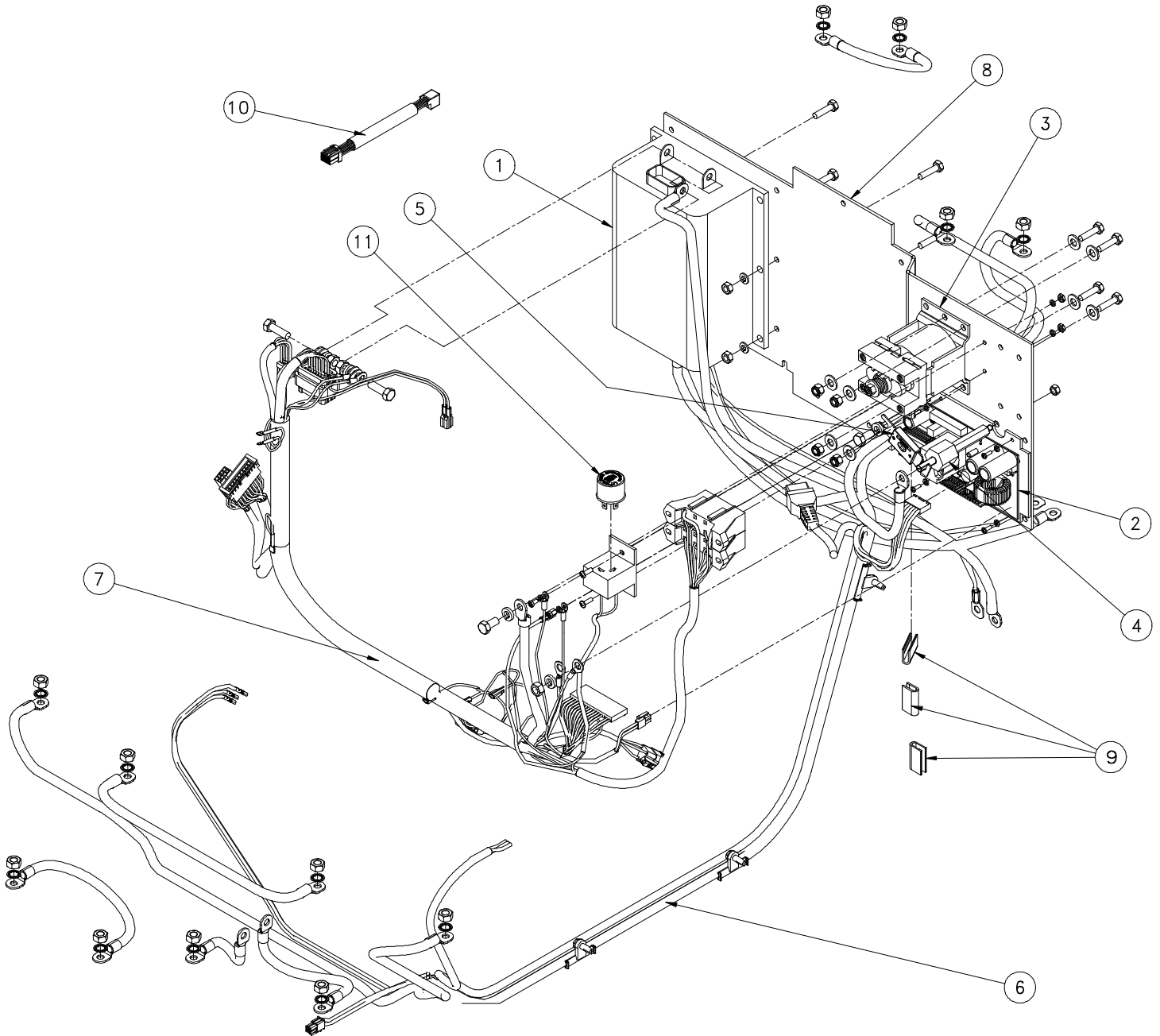
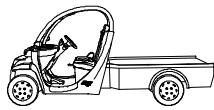


ASSY, INSTRUMENT POD FACE

<u>ITEM</u>	<u>PART NO.</u>	<u>DESCRIPTION</u>	<u>QTY.</u>
1	0106-00506	ASSY, HARNESS - CHARGER LIGHT / HEAT SENSOR (ZIVAN) -	1
2	0305-00846	FACE, INSTRUMENT POD - (WITH PLASTIC TABS ASSEMBLED) (TEXTURED)	1
4	0350-00535	DECAL, I/P 72V (SEE DECAL SECTION FOR MORE DETAIL)	1
5	0606-00133	LAMP, INDICATOR - TURN	2
6	0606-00134	SWITCH, TOGGLE SPDT WIPER	1
7	0606-00135	SWITCH, TOGGLE SPST TURF	1
8	0606-00136	SWITCH, TOGGLE SPST HEAD LAMP	1
9	0606-00137	SWITCH, TOGGLE SPDT FWD REV	1
10	0606-00138	GAGE, BDI BATTERY DISCHARGE INDICATOR 72V	1
11	0606-00140	SWITCH, PUSH BUTTON HORN	1
12	1106-00049	ASSY, IGNITION SWITCH	1



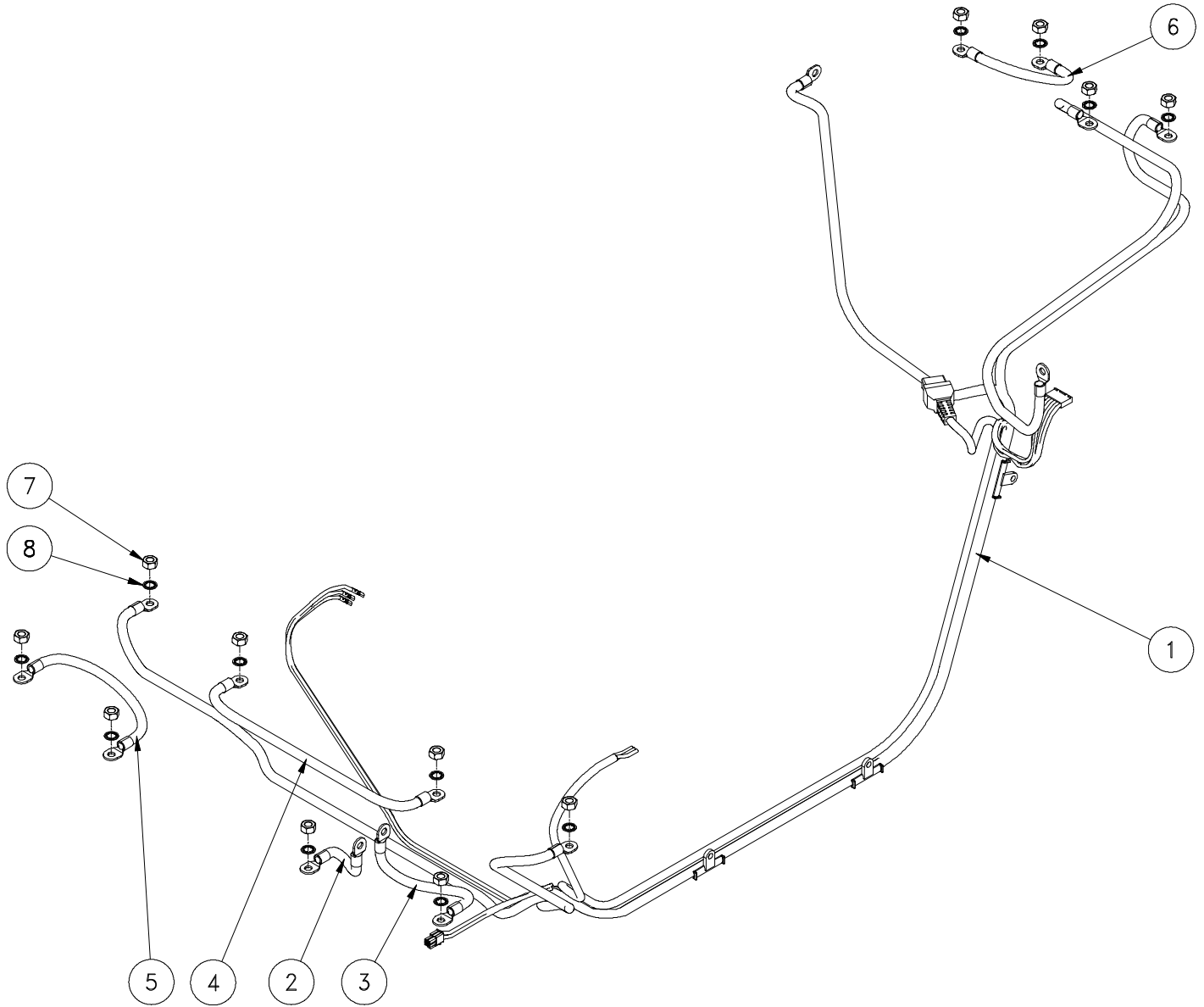
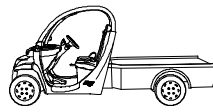
<u>ITEM</u>	<u>PART NO.</u>	<u>DESCRIPTION</u>	<u>QTY.</u>
1	0106-00296	ASSY, SWITCH - TURN SIGNAL	1



ASSY, ECM PLATE - 72 VOLT 2 PASSENGER

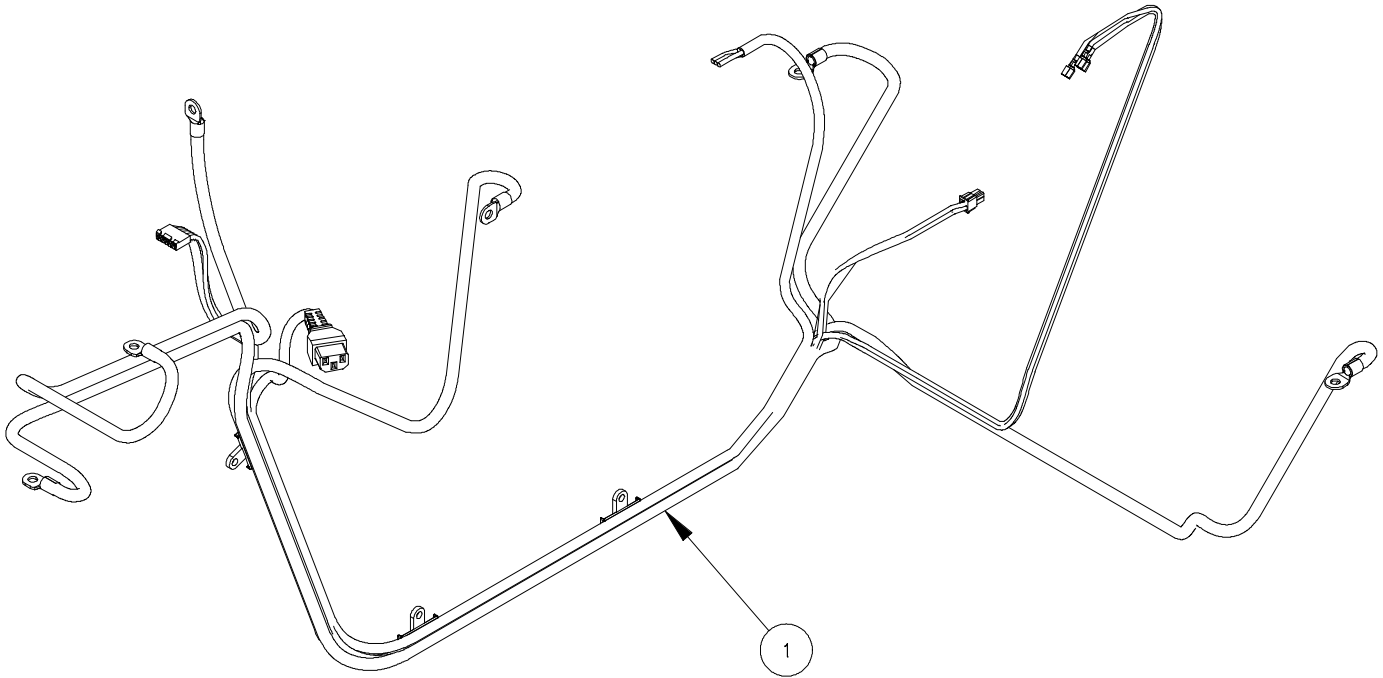
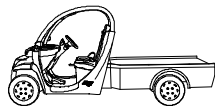
<u>ITEM</u>	<u>PART NO.</u>	<u>DESCRIPTION</u>	<u>QTY.</u>
1	0106-00198	ASSY, CONTROLLER - 72 VOLT	1
2	0106-00204	ASSY, DC/DC CONVERTER	1
3	0106-00205	ASSY, MAIN CONTACTOR	1
4	0106-00206	ASSY, FUSE STANDOFF	1
5	0106-00207	ASSY, BATTERY FUSE	1
6	0106-00208	ASSY, POWER CABLE HARNESS	1
7	0106-00209	ASSY, ECM HARNESS (To Order the Harness only use P/N 0106-00525)	1
8	0306-00726	PLATE, MOUNT - ECM 72 VOLT - ZIVAN CHARGER	1
9	0310-00512	PROTECTOR, EDGE	3
*10	0106-00678	ASSY, WIRE HARNESS - SPLIT HEATSINK JUMP	1
11	0606-00061	FUSE, FLASHER UNIT	1

* USED FOR 8 TO 12 PIN CONVERSION ONLY



ASSY, POWER CABLE HARNESS

<u>ITEM</u>	<u>PART NO.</u>	<u>DESCRIPTION</u>	<u>QTY.</u>
1	0106-00210	ASSY, WIRE HARNESS - POWER CABLE	1
2	0106-00225	ASSY, CABLE - BATTERY DISCONNECT TO B3+	1
3	0106-00226	ASSY, CABLE - BATTERY DISCONNECT TO B4-	1
4	0106-00227	ASSY, CABLE - BATTERY B3- TO B2+	1
5	0106-00228	ASSY, CABLE - BATTERY B2- TO B1+	1
6	0106-00229	ASSY, CABLE - BATTERY B6- TO B5+	1
7	0521-00244	NUT, HEX - 5/16-18 STAINLESS	12
8	0524-00152	WASHER, LOCK 5/16 INTERNAL TOOTH ZINC PLATED	12



0106-00210 ASSY, WIRE HARNESS - POWER CABLE

<u>ITEM</u>	<u>PART NO.</u>	<u>DESCRIPTION</u>	<u>QTY.</u>
1	0106-00210	ASSY, WIRE HARNESS - POWER CABLE	1

QTY.
1

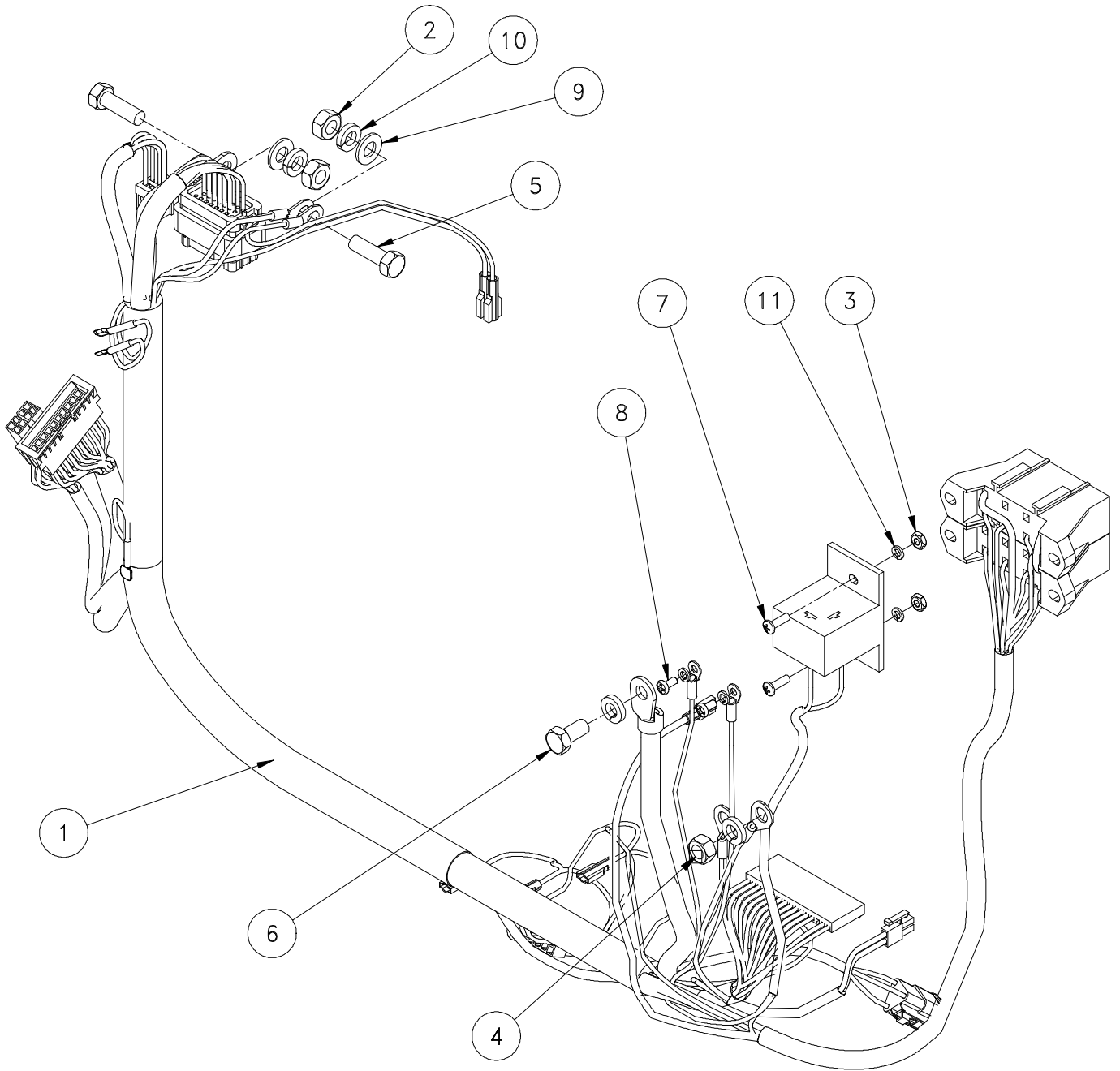
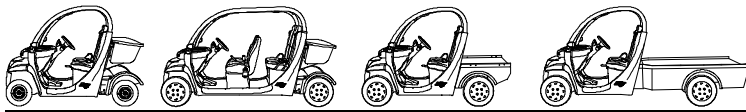


0106-00797 ASSY, WIRE HARNESS - POWER CABLE

<u>ITEM</u>	<u>PART NO.</u>	<u>DESCRIPTION</u>	<u>QTY.</u>
*1	0106-00797	ASSY, WIRE HARNESS-POWER CABLE - 2 PASS - NY	1

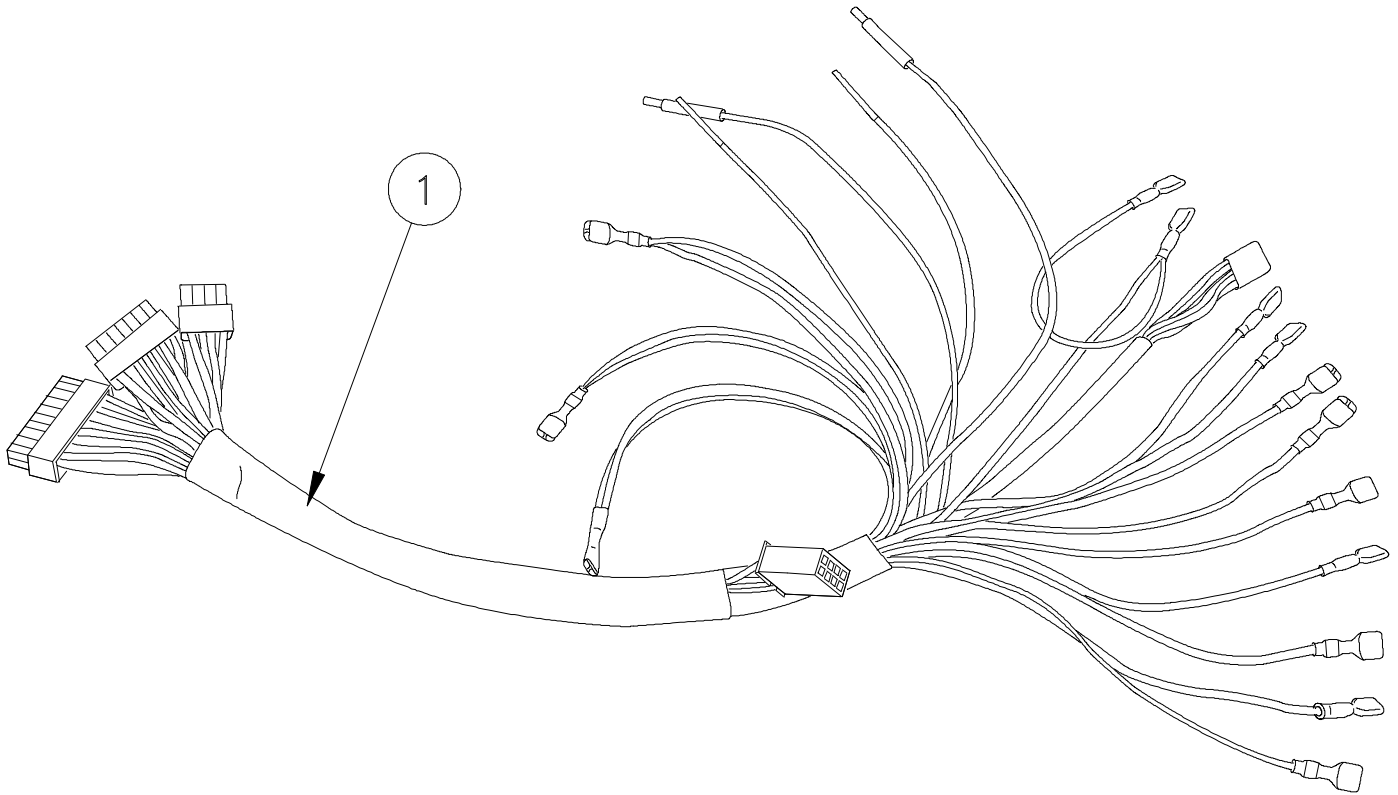
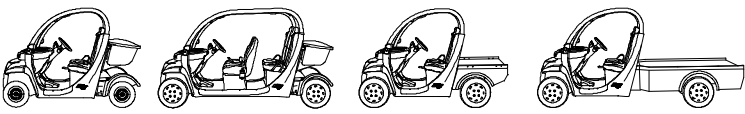
* FOR VEHICLES WITH THE NEW YORK OPTION ONLY.

QTY.
1

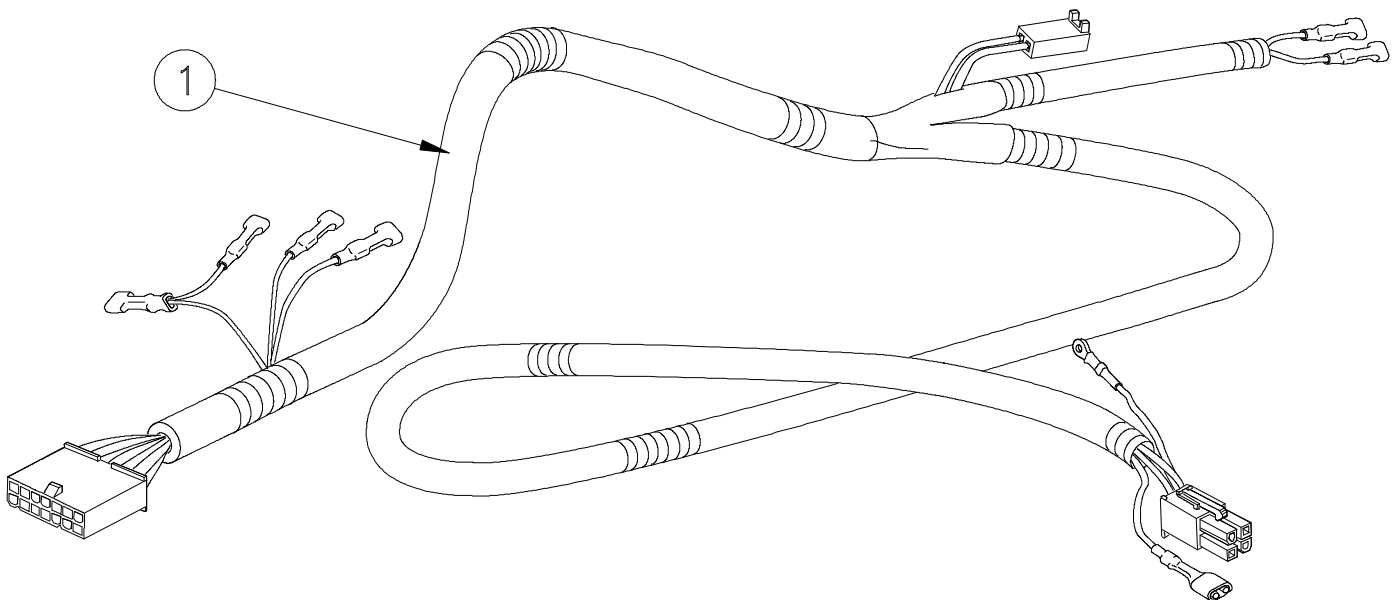


ASSY, ECM HARNESS

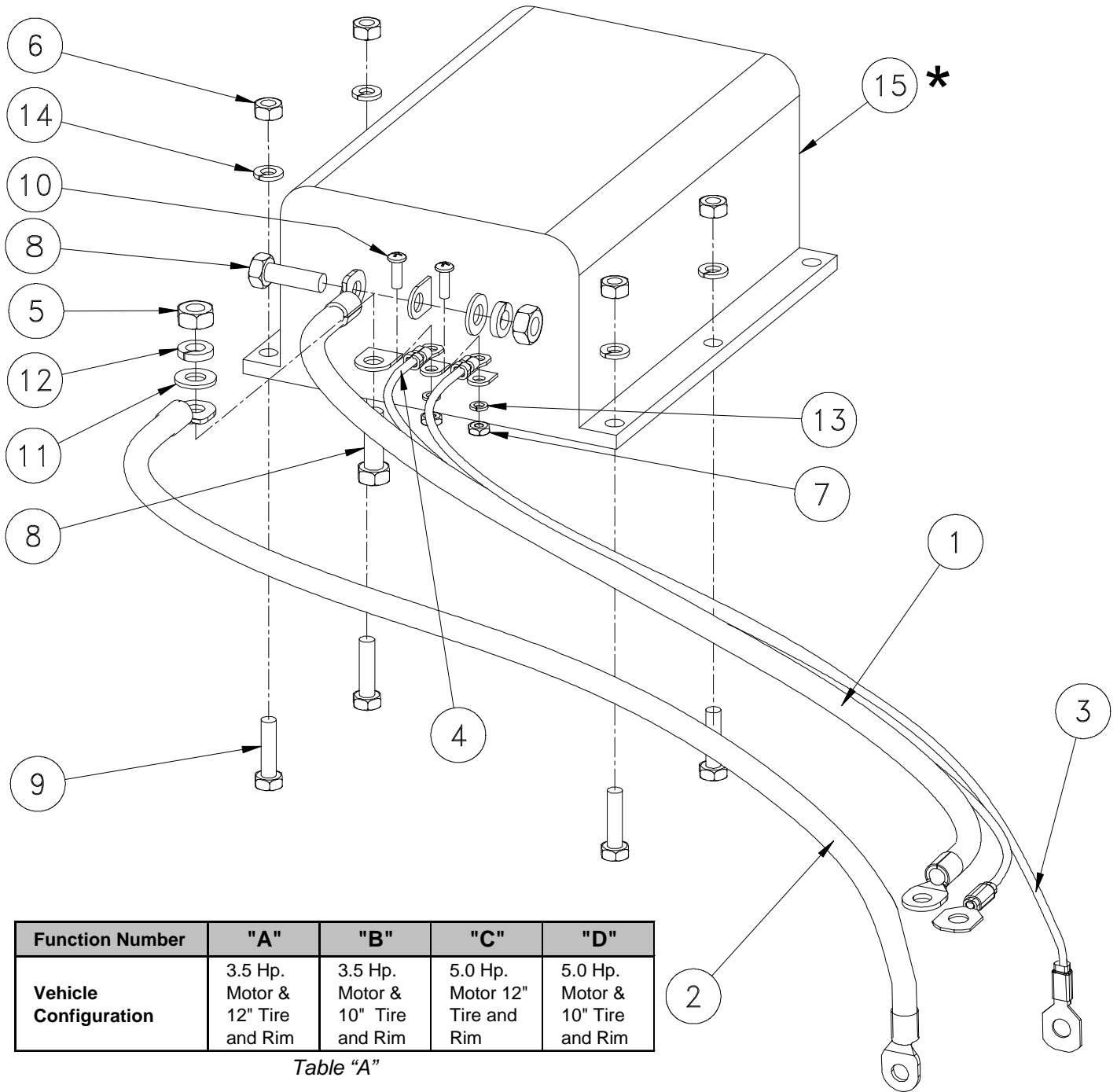
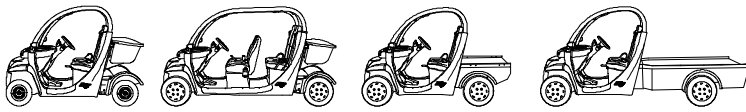
<u>ITEM</u>	<u>PART NO.</u>	<u>DESCRIPTION</u>	<u>QTY.</u>
1	0106-00525	ASSEMBLY, ECM HARNESS	1
2	0521-00031	NUT, HEX - 5/16-18 UNC GR 5 ZN ZINC PLATED -	2
3	0521-00145	NUT, HEX - #8 - 32 ZINC PLATED -	2
4	0521-00147	NUT, HEX - M8 X 1.25 ZINC PLATED	1
5	0522-00016	BOLT, HEX - HHCS 5/16 - 18 UNC X 1.0 GR 5 ZINC PLATED	2
6	0522-00146	BOLT, HEX - M8 X 1.25 X 16 LG HHCS - GR 8.8 ZN	1
7	0523-00110	SCREW, MACH PAN HEAD PHIL 8-32 X 1/2 SST	2
8	0523-00150	SCREW, MACH - PAN HEAD PHIL 1/4 - 20 UNC X 1.25 LG STAINLESS STEEL -	2
9	0524-00003	WASHER, FLAT - 5/16 SAE .344 ID X .688 OD X .065 THK ZN	2
10	0524-00081	WASHER, LOCK - 5/16 ZINC PLATED -	4
11	0524-00109	WASHER, LOCK - #8 ZINC PLATED -	4



<u>ITEM</u>	<u>PART NO.</u>	<u>DESCRIPTION</u>	<u>QTY.</u>
1	0106-00001	ASSY, WIRE HARNESS INST POD	1



<u>ITEM</u>	<u>PART NO.</u>	<u>DESCRIPTION</u>	<u>QTY.</u>
1	0106-00531	ASSY, WIRE HARNESS - FRONT	1

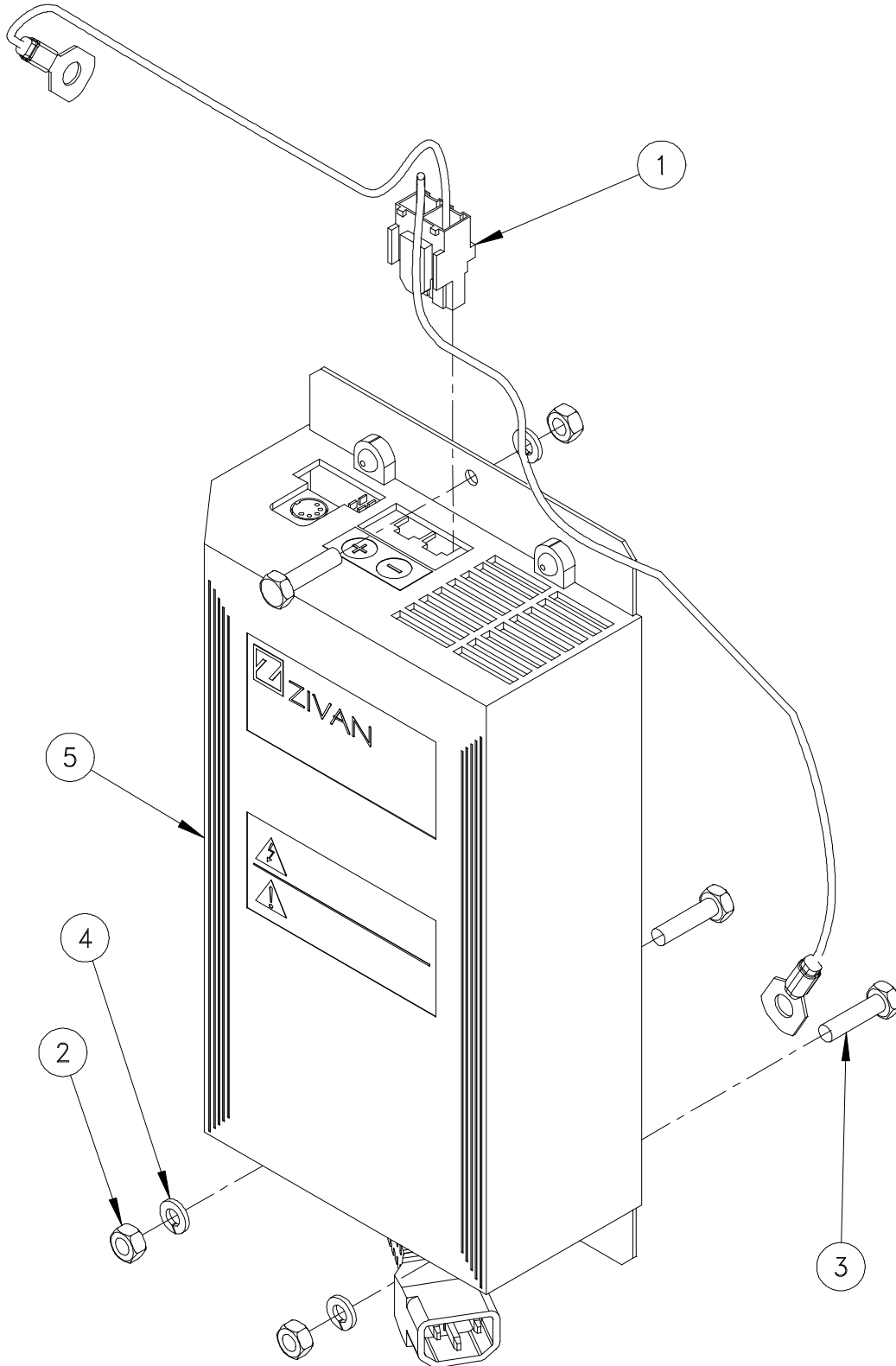
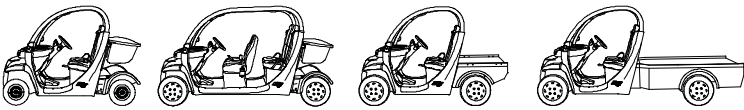


Function Number	"A"	"B"	"C"	"D"
Vehicle Configuration	3.5 Hp. Motor & 12" Tire and Rim	3.5 Hp. Motor & 10" Tire and Rim	5.0 Hp. Motor 12" Tire and Rim	5.0 Hp. Motor & 10" Tire and Rim

Table "A"

ITEM	PART NO.	DESCRIPTION	QTY.
1	0106-00199	ASSY, CABLE - MTR A1 TO CTL A1	1
2	0106-00200	ASSY, CABLE - MTR A2 TO CTL A2	1
3	0106-00201	ASSY, CABLE - MTR F1 TO CTL F1	1
4	0106-00202	ASSY, CABLE - MTR F2 TO CTL F2	1
5	0521-00031	NUT, HEX - 5/16-18 UNC GR 5 ZN ZINC PLATED	2
6	0521-00099	NUT, HEX - 1/4-20 UNC GR 5 ZN ZINC PLATED	4
7	0521-00145	NUT, HEX - #8 - 32 ZINC PLATED	2
8	0522-00016	BOLT, HEX - HHCS 5/16 - 18 UNC X 1.0 GR 5 ZINC PLATED	2
9	0522-00056	BOLT, HEX - HHCS 1/4 - 20 UNC X 1.0 GR 8 ZN YL ZINC PLATED	4
10	0523-00110	SCREW, MACH PAN HEAD PHIL 8-32 X 1/2 SST	2
11	0524-00003	WASHER, FLAT - 5/16 SAE .344 ID X .688 OD X .065 THK ZINC PLATED	2
12	0524-00081	WASHER, LOCK - 5/16 ZINC PLATED	2
13	0524-00109	WASHER, LOCK - #8 ZINC PLATED	2
14	0524-00142	WASHER, LOCK - 1/4 ZINC PLATED	4
*15	0606-00277	CONTROL - ELEC MTR, 10.35 GR, 5 HP (12 PIN CONNECTOR CONTROLLER HARNESS ONLY) *	1
*15	0606-00102	CONTROLLER, ELECTRIC MOTOR - 8.91 GR, 12 (8 PIN CONNECTOR CONTROLLER HARNESS ONLY) *	1

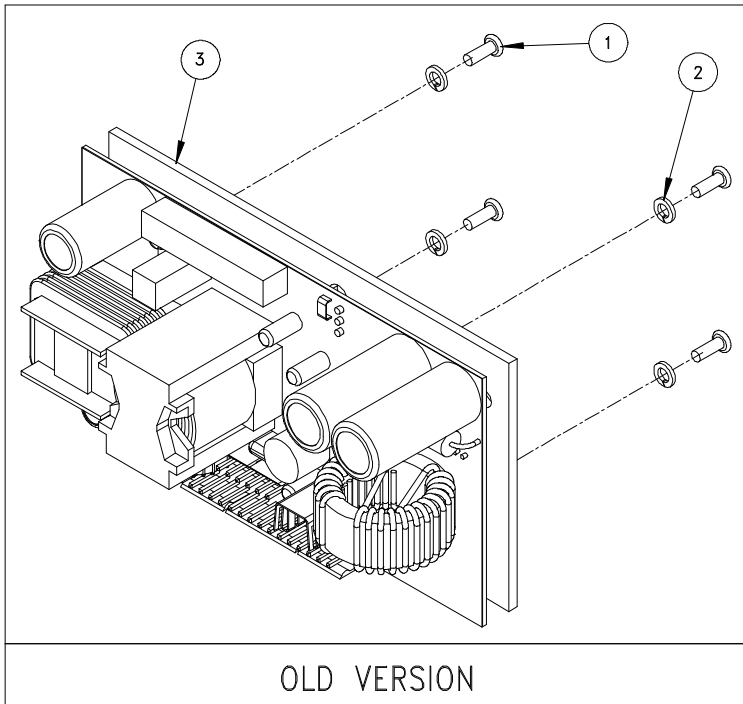
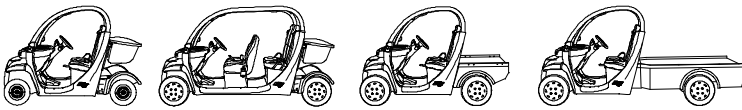
* Before ordering controller, See Table "A" to specify controller function number.



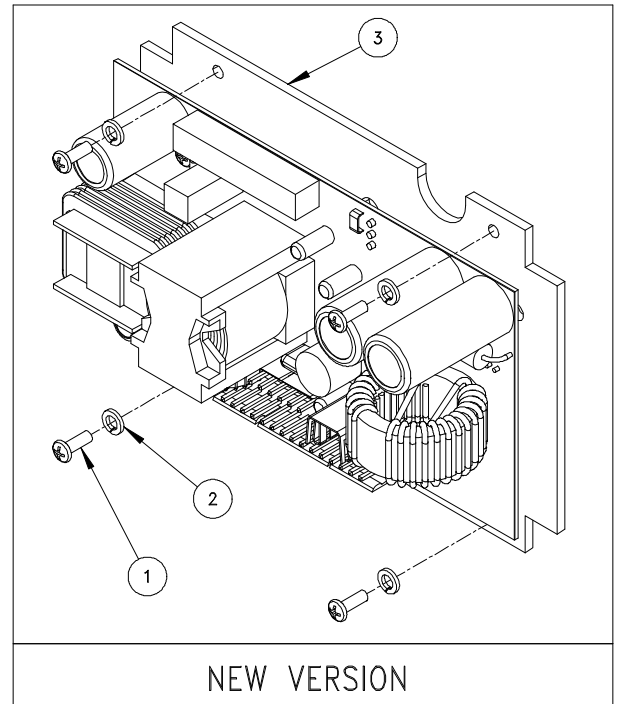
0106-00504 CHARGER, ZIVAN - 110 VOLT

<u>ITEM</u>	<u>PART NO.</u>	<u>DESCRIPTION</u>	<u>QTY.</u>
1	0106-00520	ASSEMBLY, HARNESS CHARGER, ZIVAN -	1
2	0521-00099	NUT, HEX - 1/4-20 UNC GR 5 ZN ZINC PLATED -	3
3	0522-00056	BOLT, HEX - HHCS 1/4 - 20 UNC X 1.0 GR 8 ZN YL ZINC PLATED	3
4	0524-00142	WASHER, LOCK - 1/4 ZINC PLATED -	3
*5	0606-00190	CHARGER, 72 VOLT 10 AMP OUTPUT 110 VOLT INPUT - ZIVAN	1

* WHEN ORDERING A REPLACEMENT CHARGER (0606-00190), PLEASE SPECIFY WHAT TYPE OF BATTERIES ARE INSTALLED IN THE VEHICLE - TROJAN WET CELL, DEKA GEL, OR GEM GEL BATTERIES.



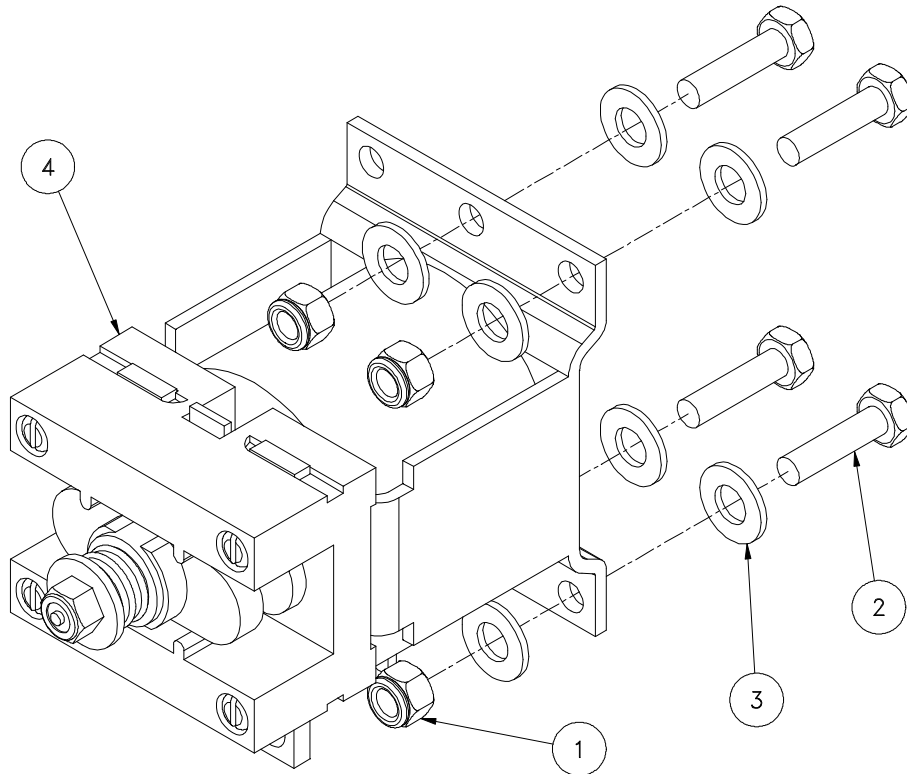
OLD VERSION



NEW VERSION

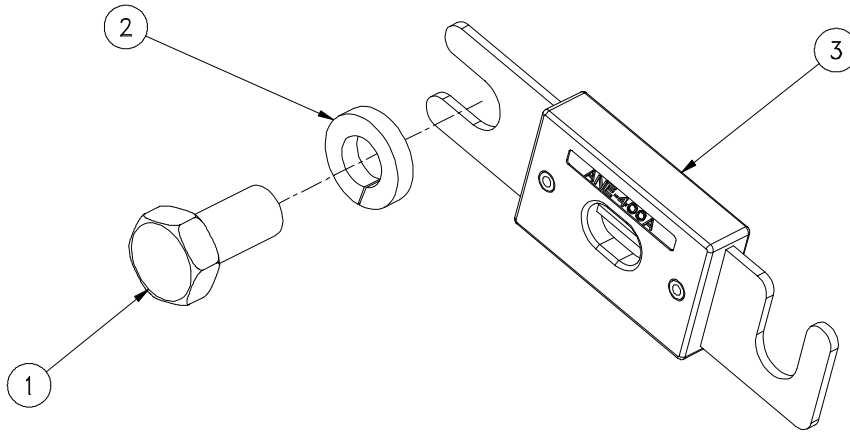
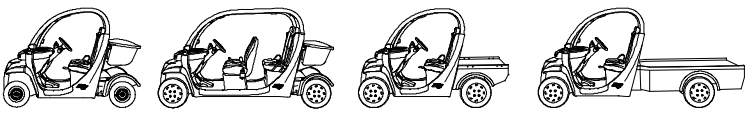
0106-00204 ASSY, DC/DC CONVERTER

ITEM	PART NO.	DESCRIPTION	QTY.
1	0523-00148	SCREW, MACH PAN HEAD PHIL 6-32 X 3/8 LG	4
2	0524-00109	WASHER, LOCK - #8 ZINC PLATED	4
3	0606-00103	CONVERTER, DC/DC (UNDER PW BOARD)	1



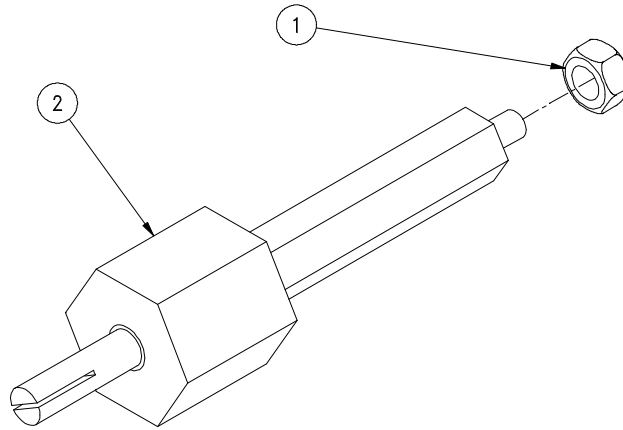
0106-00205 ASSY, MAIN CONTACTOR

ITEM	PART NO.	DESCRIPTION	QTY.
1	0521-00050	NUT, HEX - NYLOCK 1/4-20 UNC GR5 ZINC PLATED	4
2	0522-00056	BOLT, HEX - HHCS 1/4 - 20 UNC X 1.0 GR 8 ZN YL ZINC PLATED	4
3	0524-00003	WASHER, FLAT - 5/16 SAE .344 ID X .688 OD X .065 THK ZINC PLATED	8
4	0606-00104	CONTACTOR, MAIN	1



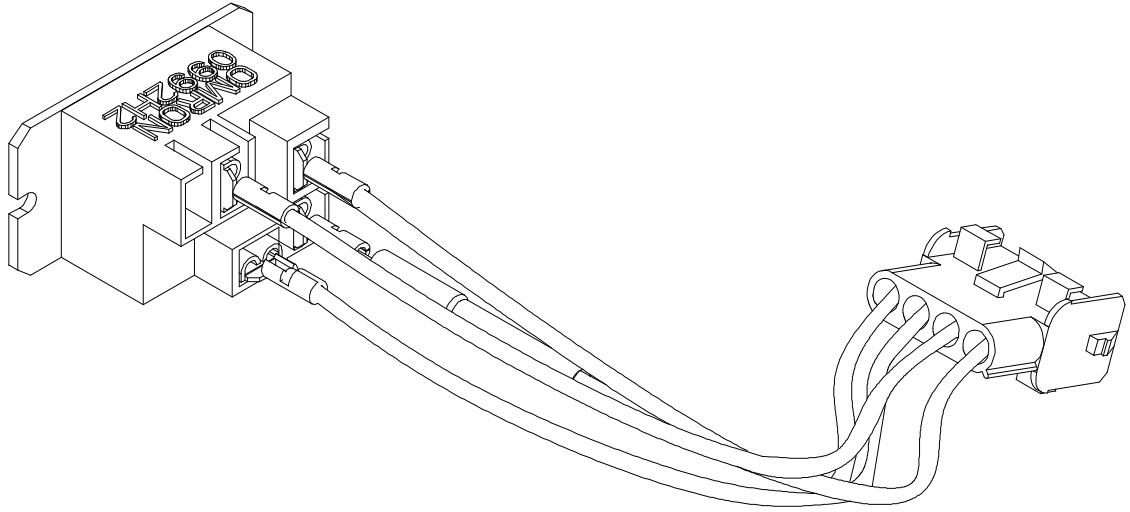
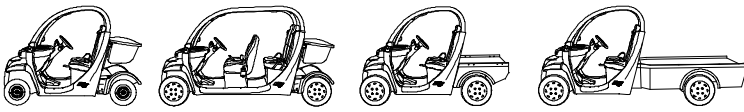
0106-00207 ASSY, BATTERY FUSE

<u>ITEM</u>	<u>PART NO.</u>	<u>DESCRIPTION</u>	<u>QTY.</u>
1	0522-00146	BOLT, HEX - M8 X 1.25 X 16 LG HHCS - GR 8.8 ZN	1
2	0524-00081	WASHER, LOCK - 5/16 ZINC PLATED	1
3	0606-00060	FUSE, BATTERY	1



0106-00206 ASSY, FUSE STANDOFF

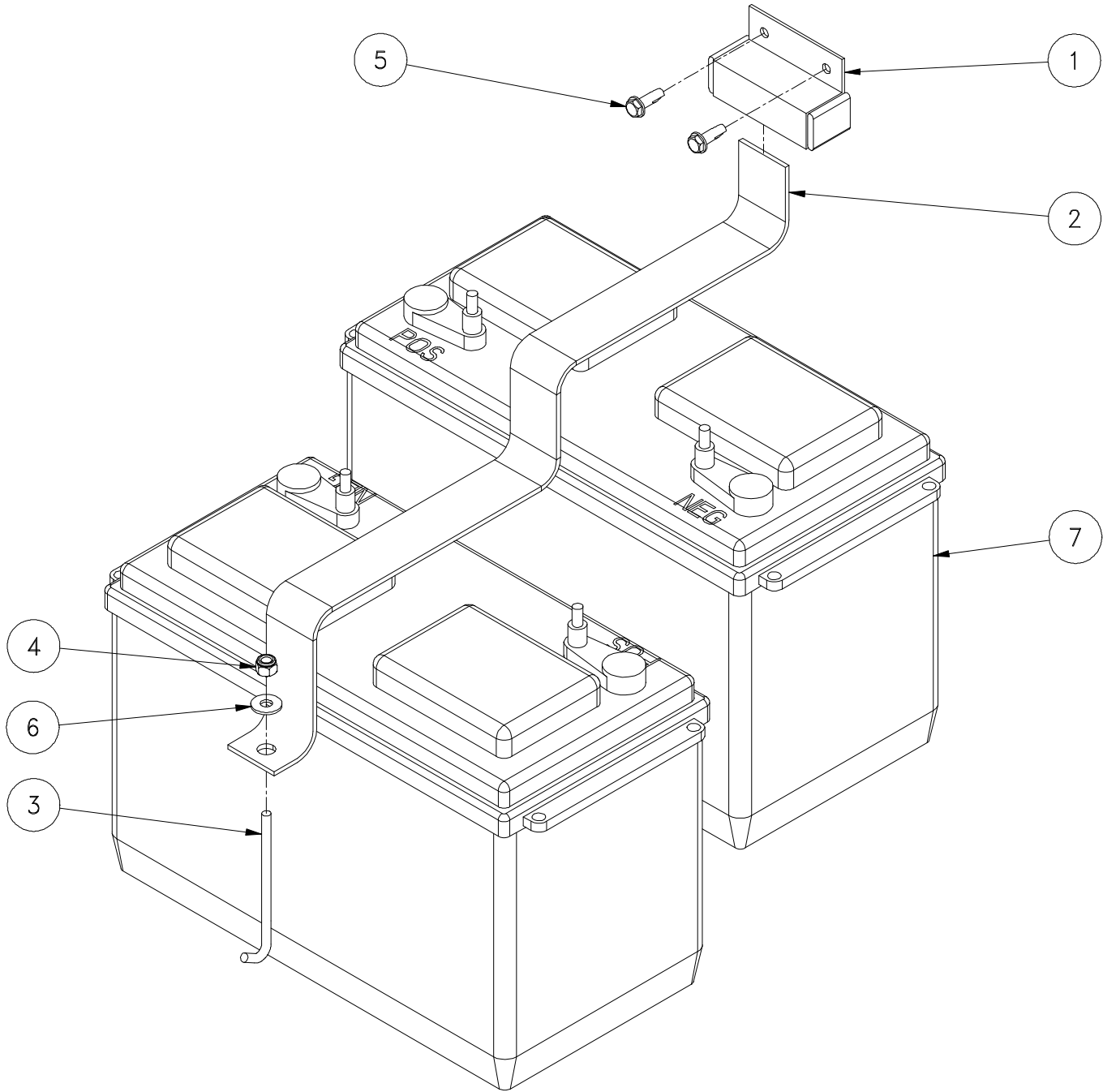
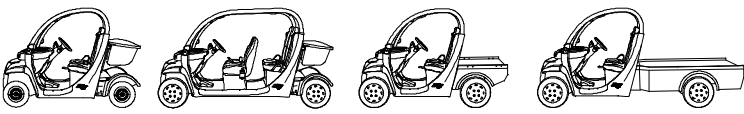
<u>ITEM</u>	<u>PART NO.</u>	<u>DESCRIPTION</u>	<u>QTY.</u>
1	0521-00149	NUT, HEX - M6 X 1.00 ZINC PLATED	1
2	0606-00062	STANDOFF, FUSE	1



0106-00885 ASSY, WIRE HARNESS - RELAY, BACKUP

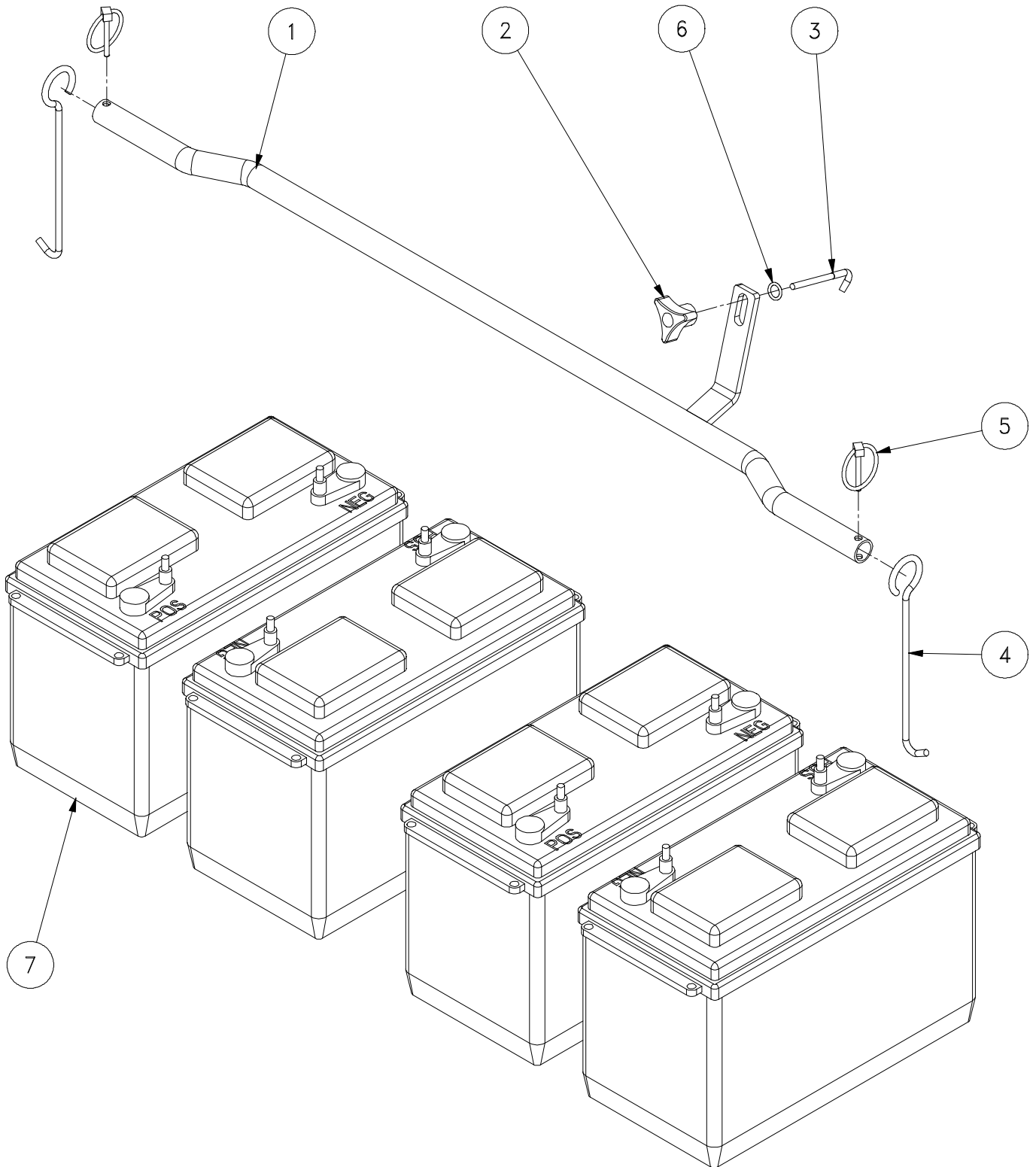
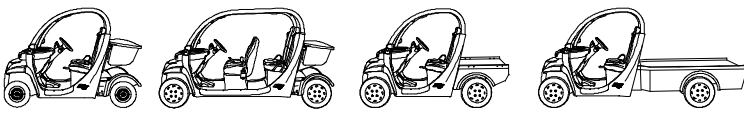
<u>ITEM</u>	<u>PART NO.</u>	<u>DESCRIPTION</u>
1	0106-00885	ASSY, WIRE HARNESS - RELAY, BACKUP

QTY.
1



ASSY, BATTERY FRONT (NEW BATTERY HOLD DOWNS FOR V.I.N. 027109 AND LATER)

<u>ITEM</u>	<u>PART NO.</u>	<u>DESCRIPTION</u>	<u>QTY.</u>
1	0201-00137	WELDMENT, FRONT BATTERY BRACKET	1
2	0306-00960	BRACKET, BATTERY - FRONT - -	1
3	0510-00336	HOOK, J THREADED 1/4-20 UNC X 4"	1
4	0521-00050	NUT, HEX - NYLOCK 1/4-20 UNC GR5 ZN	1
5	0523-00032	SCREW, HEX - WHSD 1/4 X .75 ZN - -	2
6	0524-00062	WASHER, FLAT - 1/4 .282 ID X .715 OD X .063 THK ZN	1
7	0606-00050	BATTERY, 12 VOLT DEEP CYCLE -	2



ASSY, BATTERY REAR (NEW BATTERY HOLD DOWNS FOR V.I.N. 027109 AND LATER)

ITEM	PART NO.	DESCRIPTION	QTY.
1	0201-00138	WELDMENT, REAR BATTERY HANDLE	1
2	0306-00996	KNOB, 1/4 - 20 3 PRONG	1
3	0510-00274	HOOK, J THREADED 1/4-20 UNC X 3"	1
4	0510-00286	HOOK, J REAR PIVOT TUBE HOLD DOWN ZINC PLATED	2
5	0510-00287	PIN, LYNCH 3/16" ZINC PLATED	2
6	0510-00342	O-RING, 3/32 C/S X 7/32 ID X 13/32 OD	1
7	0606-00050	BATTERY, 12 VOLT DEEP CYCLE -	4

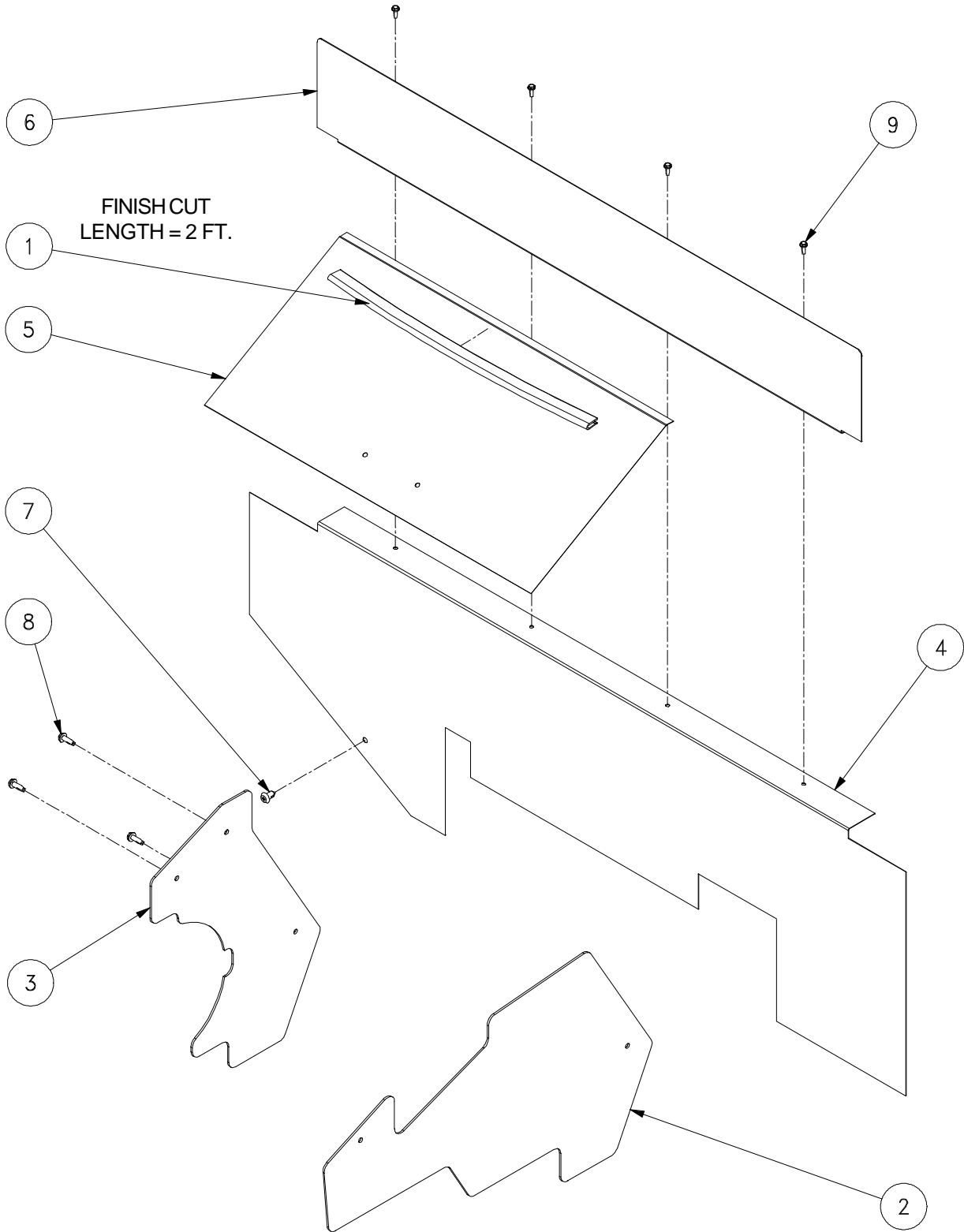
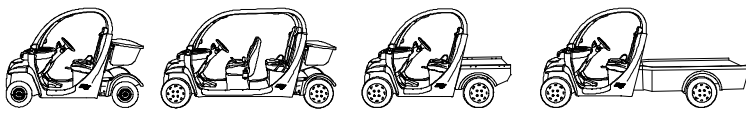


Global Electric Motorcars, LLC

A DaimlerChrysler Company

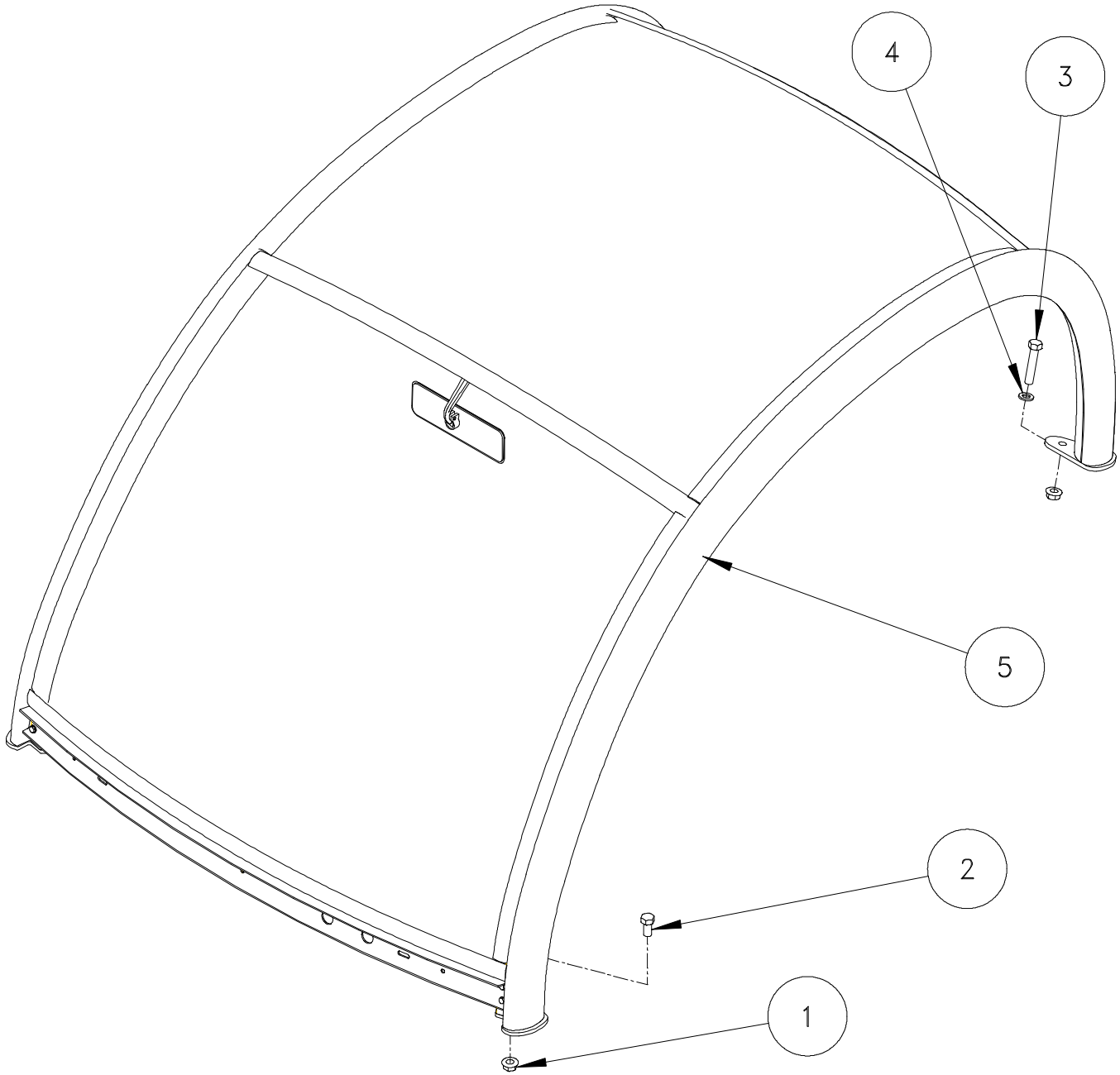
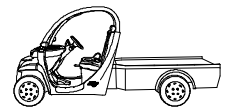
Parts Catalog

SECTION 6 - BODY



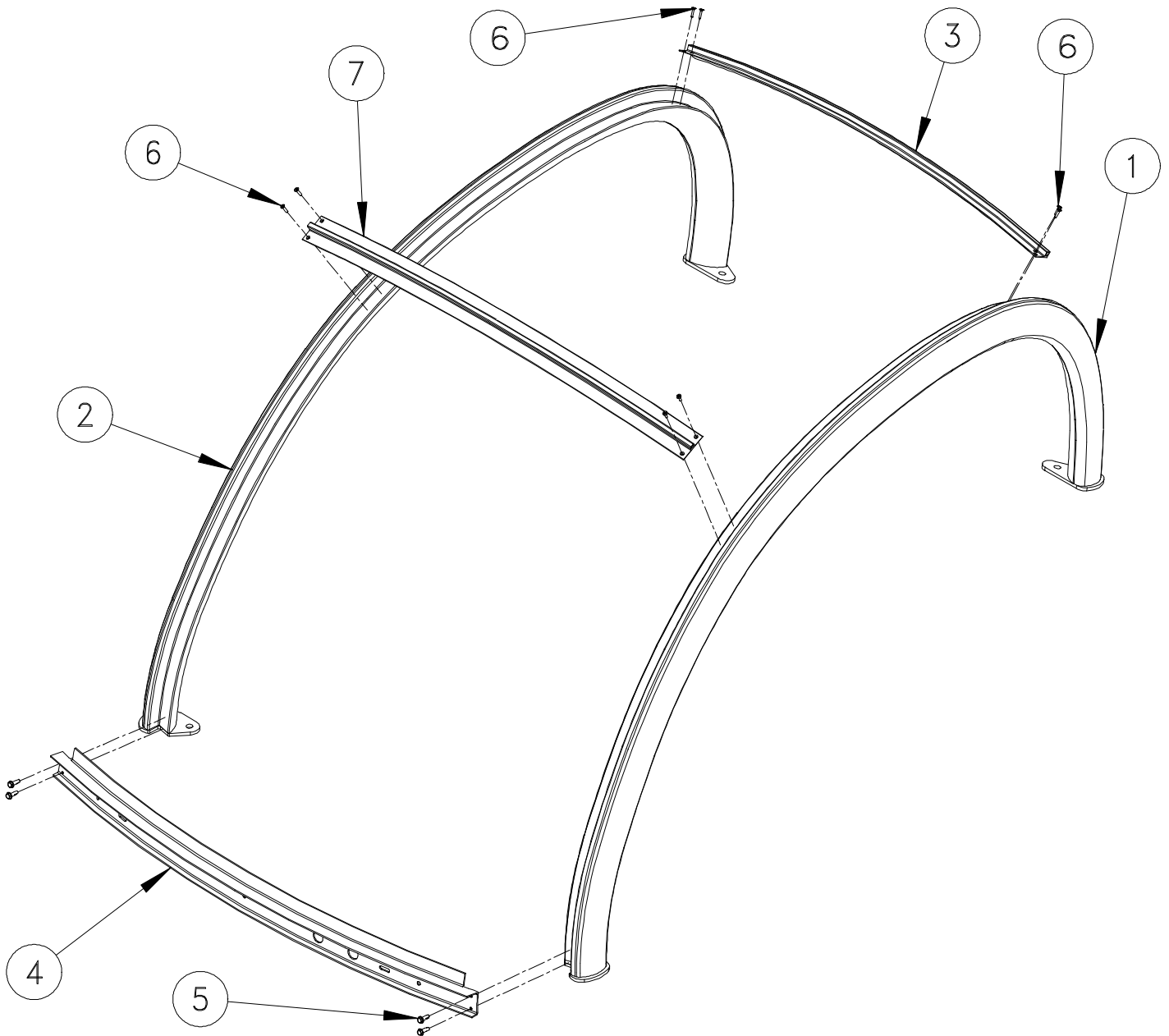
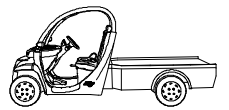
ASSY, SPLASH PROTECTION

ITEM	PART NO.	DESCRIPTION	QTY.
1	0417-00089	TRIM, SPLASH PROTECTION (Finish Cut Length 2 Ft.)(Formerly 0305-00776)	1
2	0305-00850	SHIELD, SPLASH GUARD - LH	1
3	0305-00851	SHIELD, SPLASH RH	1
4	0310-00160	MAT, FIREWALL INNER	1
5	0310-00161	MAT, FIRE WALL OUTER	1
6	0310-00651	ANGLE, SPASH PROTECTION	1
7	0520-00175	RIVET, PIN - REMOVABLE	1
8	0523-00032	SCREW, HEX - WHSD 1/4 X .75 ZN	3
9	0523-00163	SCREW, HEX - WHSD 10 - 16 X 1/2 # 2 POINT STL BLK ZINC	4



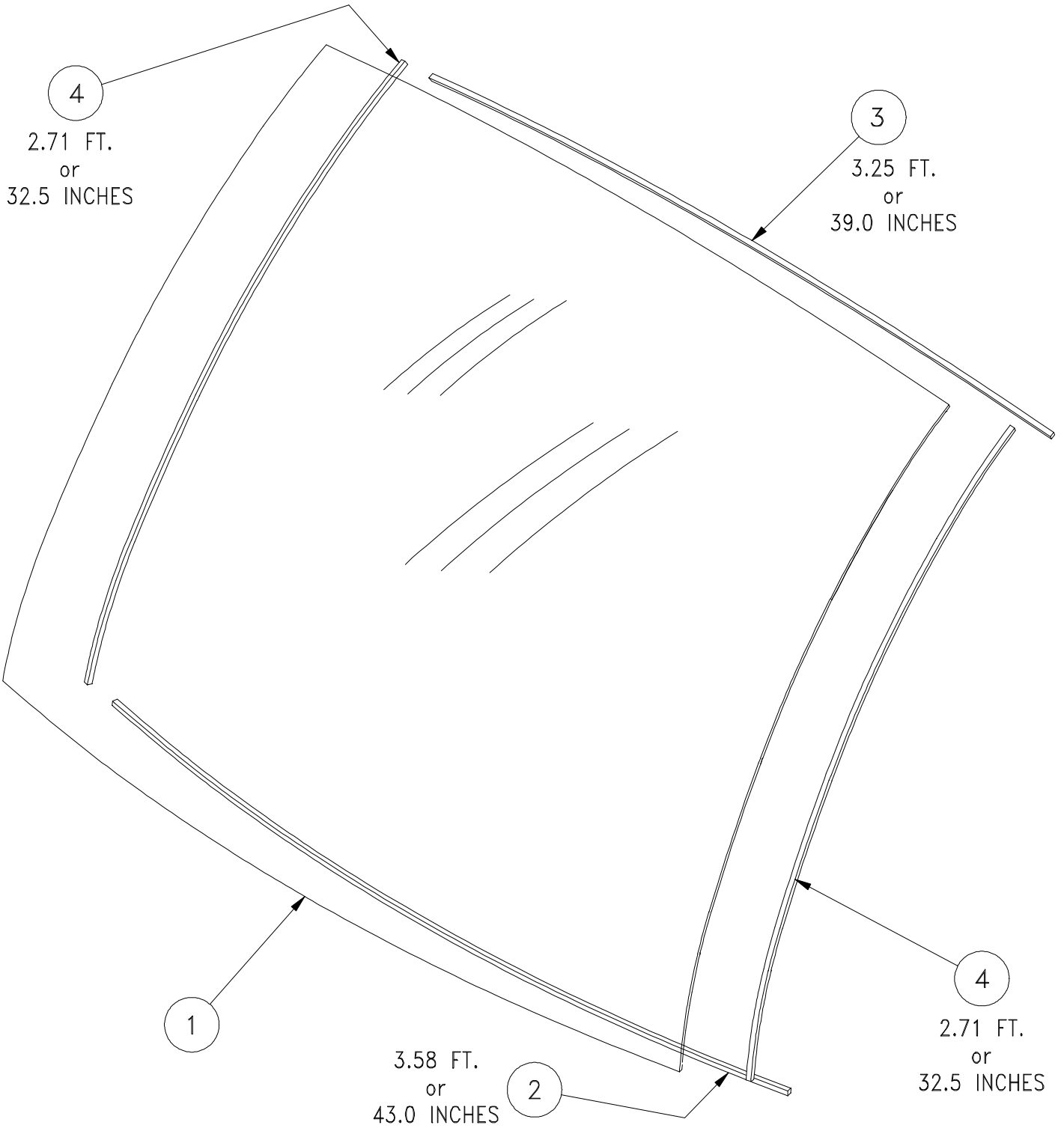
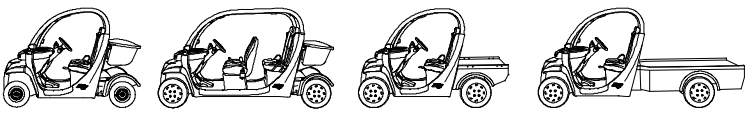
ASSY, ROOF INSTALLATION

ITEM	PART NO.	DESCRIPTION	QTY.
1	0521-00024	NUT, HEX FLANGE - TECK LOCK - 1/2 - 13 UNC GR 6	4
2	0522-00021	BOLT, HEX - HHCS - 1/2 - 13 UNC X 1.0 GR 8 ZN YL	2
3	0522-00059	BOLT, HEX - HHCS - 1/2 - 13 UNC X 2.5 LG GR 8	2
4	0524-00115	WASHER, FLAT - M12 13mm ID X 24mm OD X 2.5mm THK	2
5	1104-00030	ASSY, ROOF ASSEMBLY	1



ASSY, ROOF RAIL - SUPPORT ASSEMBLY - 2 PASS

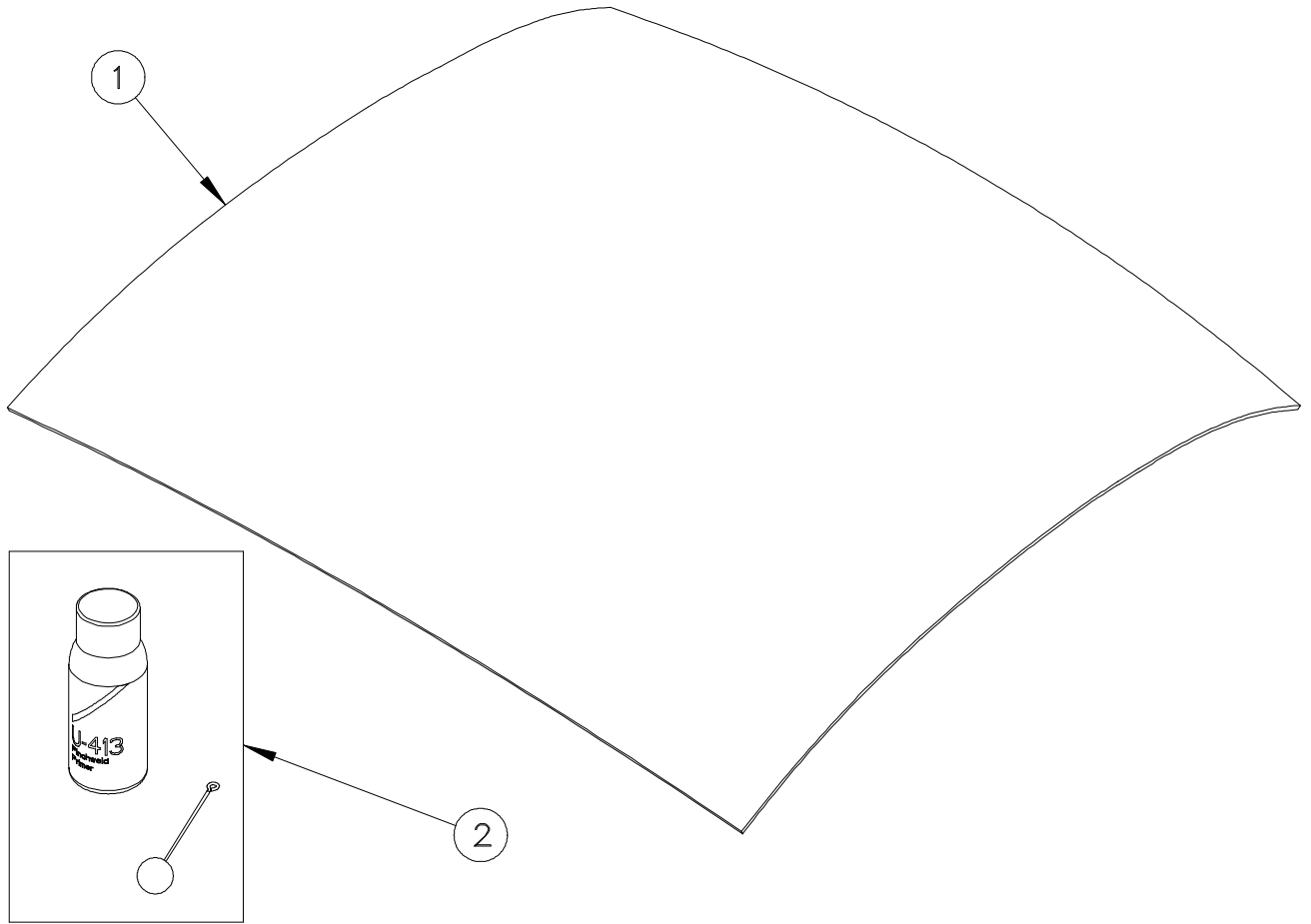
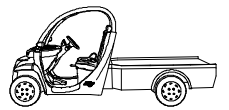
<u>ITEM</u>	<u>PART NO.</u>	<u>DESCRIPTION</u>	<u>QTY.</u>
1	0204-00086	WELDMENT, ROOF RAIL - LH 2 PASS PAINTED	1
2	0204-00087	WELDMENT, ROOF RAIL - RH 2 PASS PAINTED	1
3	0304-00148	SUPPORT, ROOF - REAR - 2 PASS	1
4	0304-00149	SUPPORT, WINDSHIELD - LOWER FRONT	1
5	0523-00032	SCREW, HEX - WASHER HEAD SELF DRILL 1/4 - 14 X .75 ZINC PLATED	4
6	0523-00057	SCREW, C'SNK PHIL FLAT - #6 X 3/4 STAINLESS STEEL	8
7	0304-00146	SUPPORT, WINDSHIELD - UPPER FR	1



ASSY, WIND SHEILD

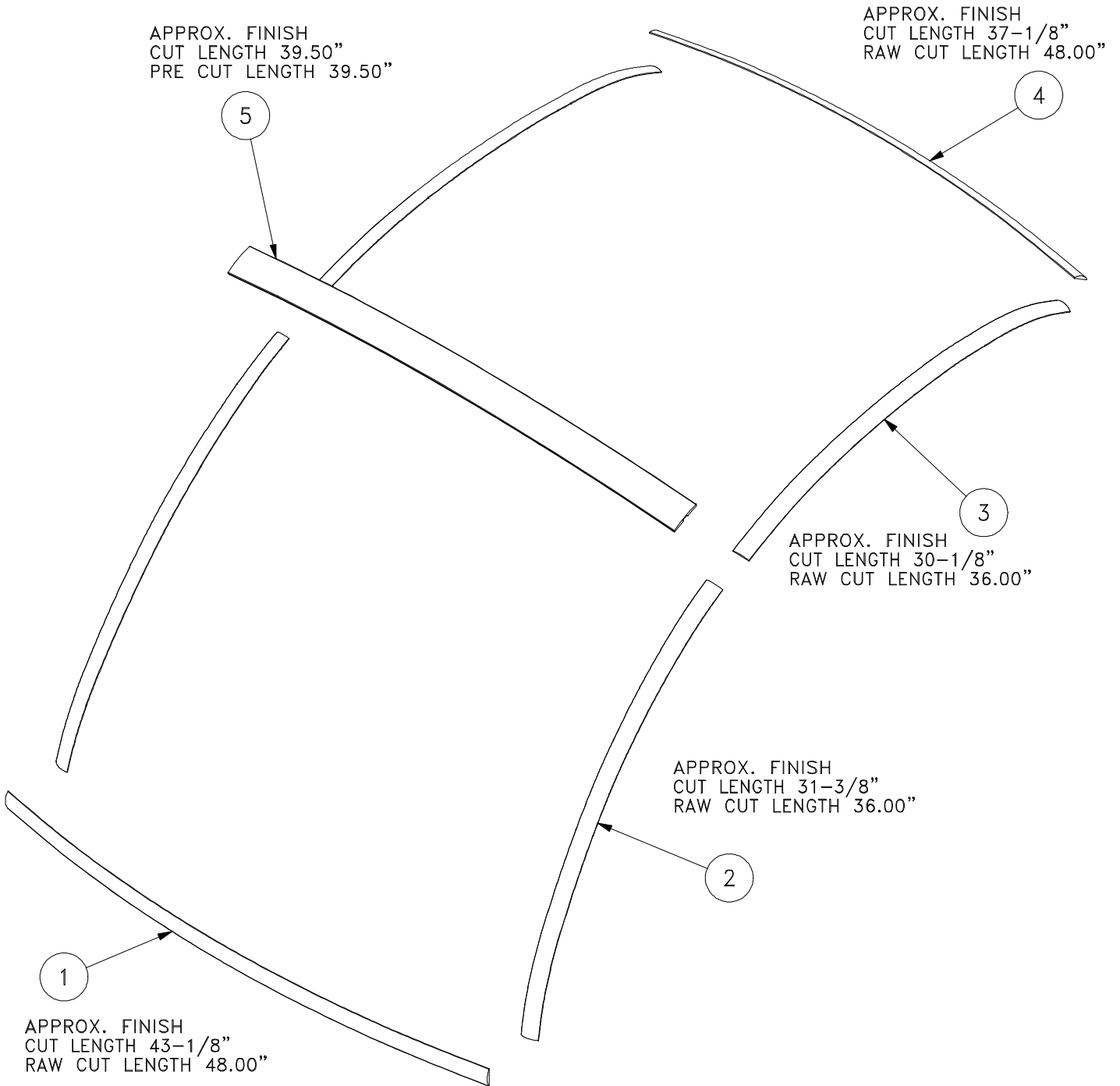
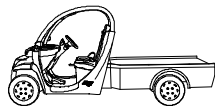
<u>ITEM</u>	<u>PART NO.</u>	<u>DESCRIPTION</u>	<u>QTY.</u>
1	0304-00170	SHIELD, WIND	1
*2	0417-00065	STRIP, WEATHER LOWER WINDSHIELD (Formerly 0304-00183)	1
*3	0417-00065	STRIP, WEATHER UPPER WINDSHEILD (Formerly 0304-00184)	1
*4	0417-00065	STRIP, WEATHER SIDE (Formerly 0304-00185)	2

* For any or all of items 2, 3, & 4, use 0417-00065 FOAM, VINYL - PVC VF-5600 SERIES .250 X .250 X 50 FT ROLL (Sold Only as Entire Roll)



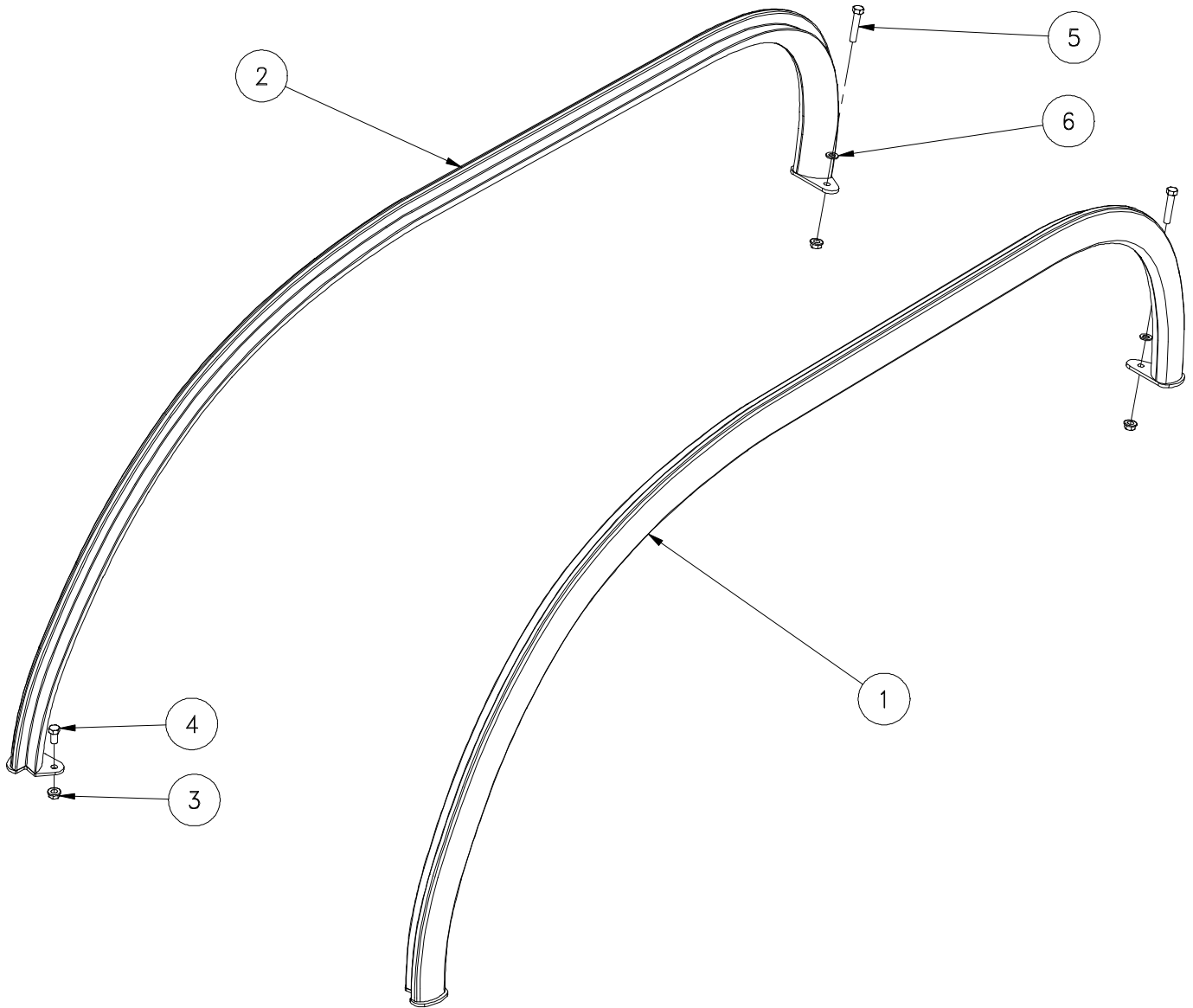
ASSY, ROOF PANEL PREP

<u>ITEM</u>	<u>PART NO.</u>	<u>DESCRIPTION</u>	<u>QTY.</u>
1	0304-00157	PANEL, ROOF 2 PASS WHITE -	1
2	0408-00129	PRIMER ABS - U-413 (4 OZ CONTAINER SHOWN - .22 OZ USED IN PREP)	1



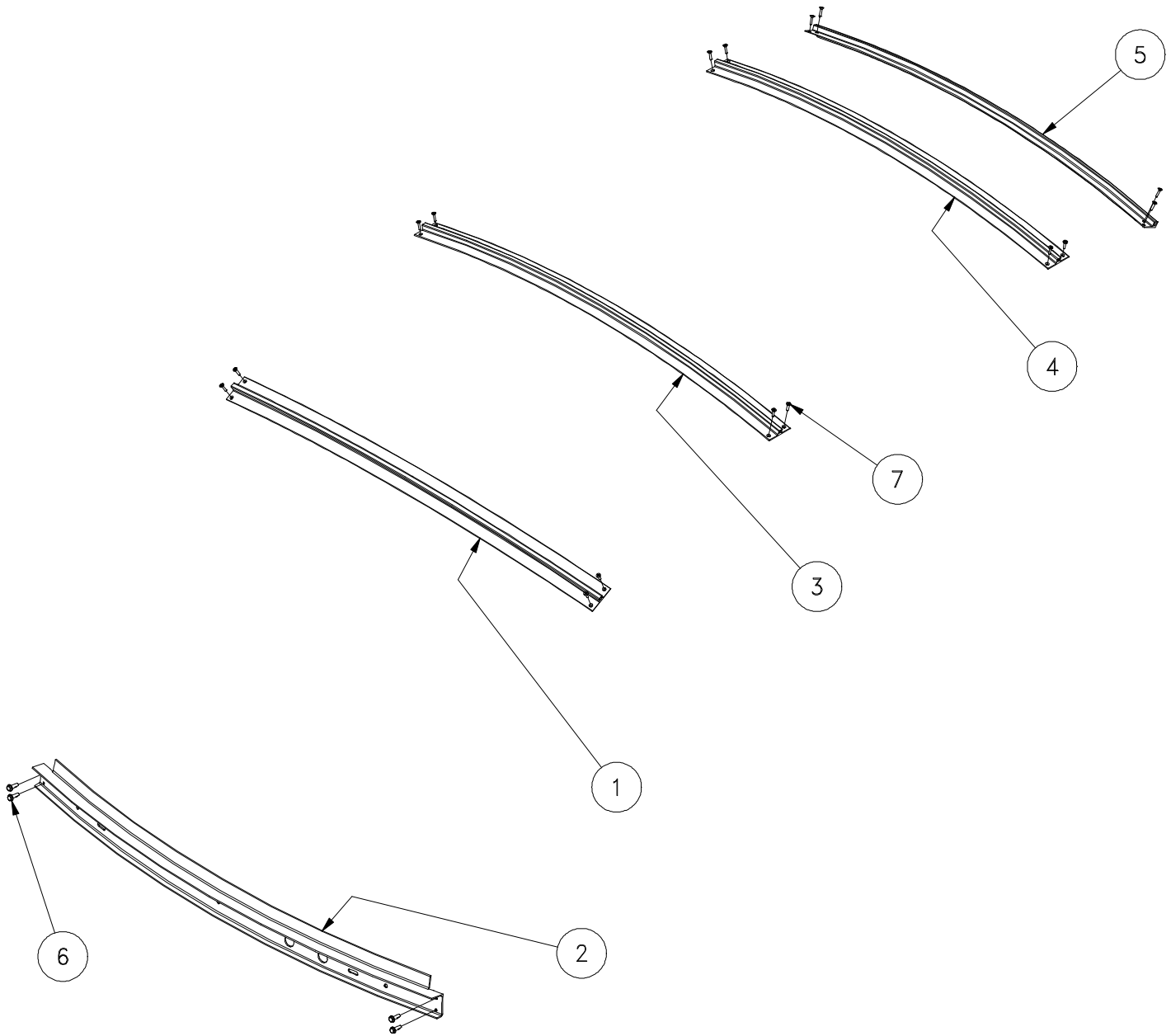
ASSY, ROOF TRIM - 2 PASS

ITEM	PART NO.	DESCRIPTION	QTY.
1	0417-00067	STRIP, TRIM UPPER WINDSHIELD (Formerly 0304-00173)	1
2	0417-00067	STRIP, TRIM SIDE WINDSHIELD (Formerly 0304-00175)	2
3	0417-00067	STRIP, ROOF REAR (Formerly 0304-00495)	2
4	0417-00067	STRIP, ROOF REAR (Formerly 0304-00496)	1
5	0417-00214	STRIP, WIDE TRIM - UPPER WINDSHIELD (Formerly 0304-01102)	1



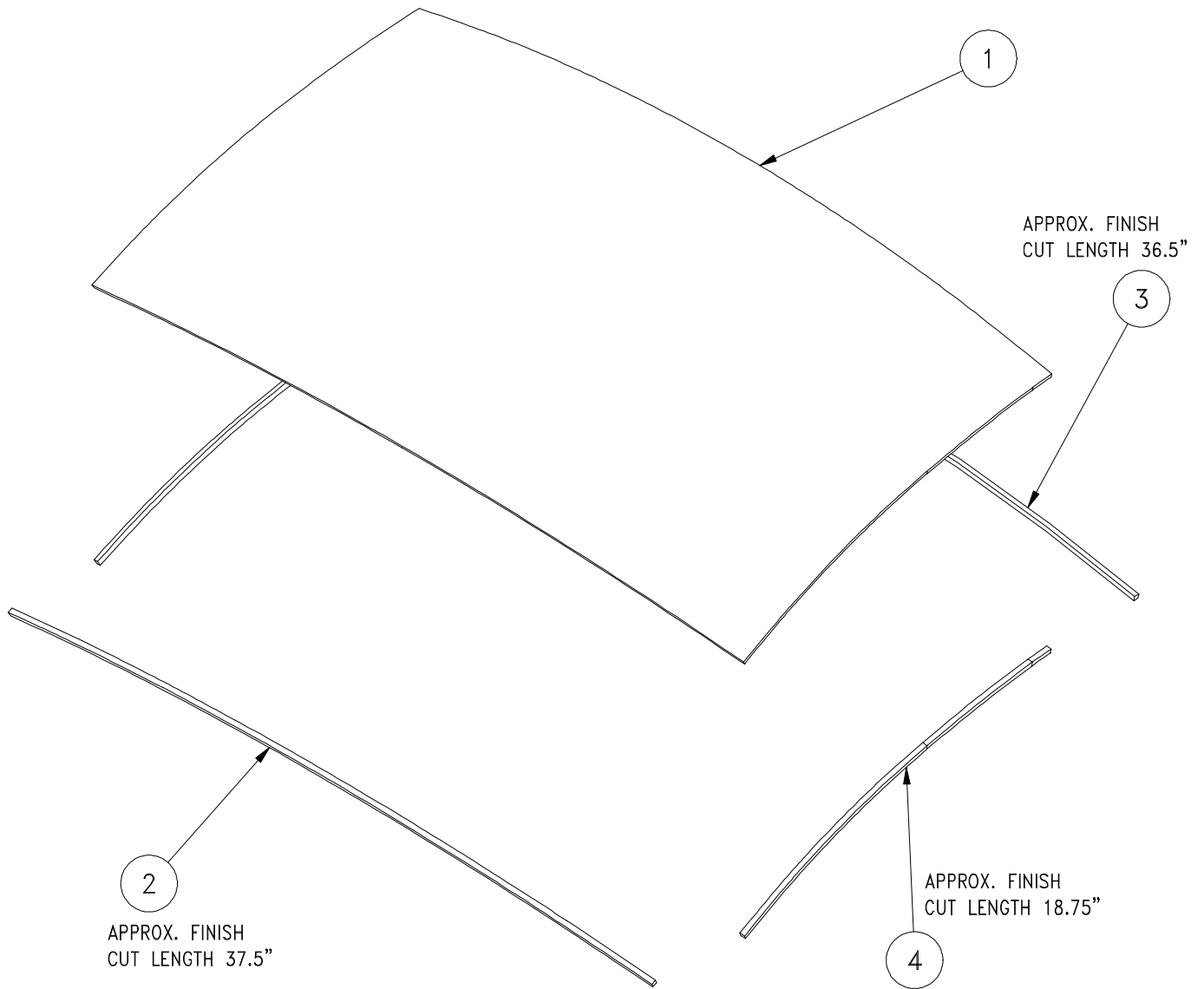
0104-00139 ASSY, ROOF RAILS - 4 PASS

ITEM	PART NO.	DESCRIPTION	QTY.
1	0204-00088	WELDMENT, ROOF RAIL PAINTED	1
2	0204-00089	WELDMENT, ROOF RAIL PAINTED	1
3	0521-00024	NUT, HEX FLANGE 1/2-13 UNC GR 6 TECH LOCK	4
4	0522-00021	BOLT, HEX - HHCS 1/2 - 13 UNC X 1.0 GR 8 ZN YL ZINC PLATED	2
5	0522-00059	BOLT, HEX - HHCS 1/2 - 13 UNC X 2.5 LG GR 8 ZINC PLATED	2
6	0524-00115	WASHER, FLAT - M12 13mm ID X 24mm OD X 2.5mm THK	2



0104-00140 ASSY, ROOF SUPPORTS - 4 PASS

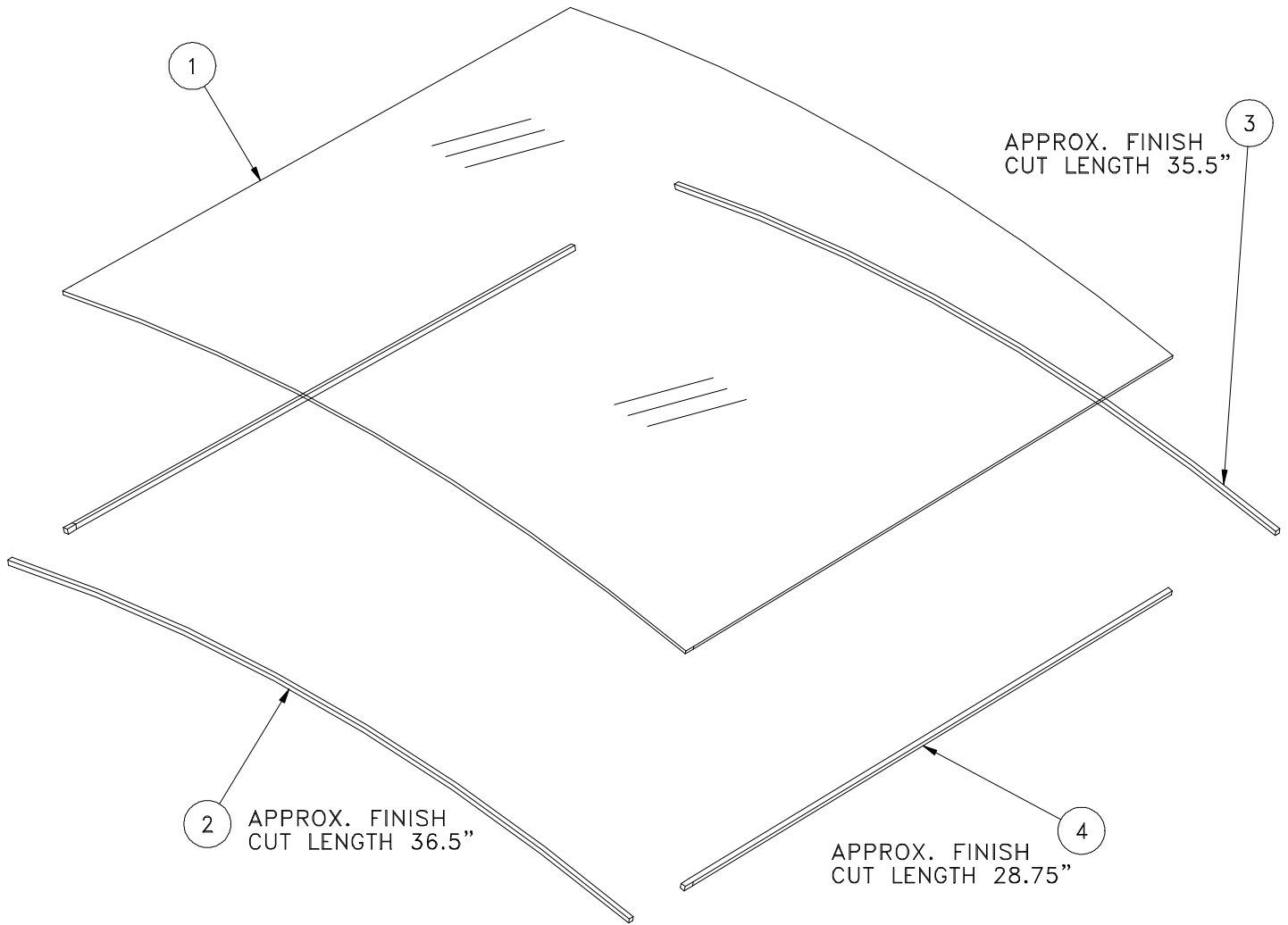
<u>ITEM</u>	<u>PART NO.</u>	<u>DESCRIPTION</u>	<u>QTY.</u>
1	0304-00146	SUPPORT WINDSHIELD UPPER FRONT	1
2	0304-00149	SUPPORT, WINDSHIELD LOWER FRONT	1
3	0304-00152	SUPPORT, SUNROOF FRONT	1
4	0304-00153	SUPPORT, SUNROOF REAR	1
5	0304-00171	SUPPORT, ROOF - REAR 4 PASS	1
6	0523-00032	SCREW, HEX - WHSD 1/4 X .75 ZN	4
7	0523-00057	SCREW, C'SNK PHIL FLAT - #6 X 3/4 LG STAINLESS STEEL	16



ASSY, ROOF PANEL - 4 PASS

<u>ITEM</u>	<u>PART NO.</u>	<u>DESCRIPTION</u>	<u>QTY.</u>
1	0304-00155	PANEL, ROOF 4 PASS FRONT -	1
2	0417-00065	STRIP, WEATHER UPPER WINDSHEILD (Formerly 0304-00184)	1
3	0417-00065	STRIP, WEATHER - FRONT SUNROOF (Formerly 0304-00187)	1
4	0417-00065	STRIP, WEATHER SIDE FRONT ROOF (Formerly 0304-00186)	2

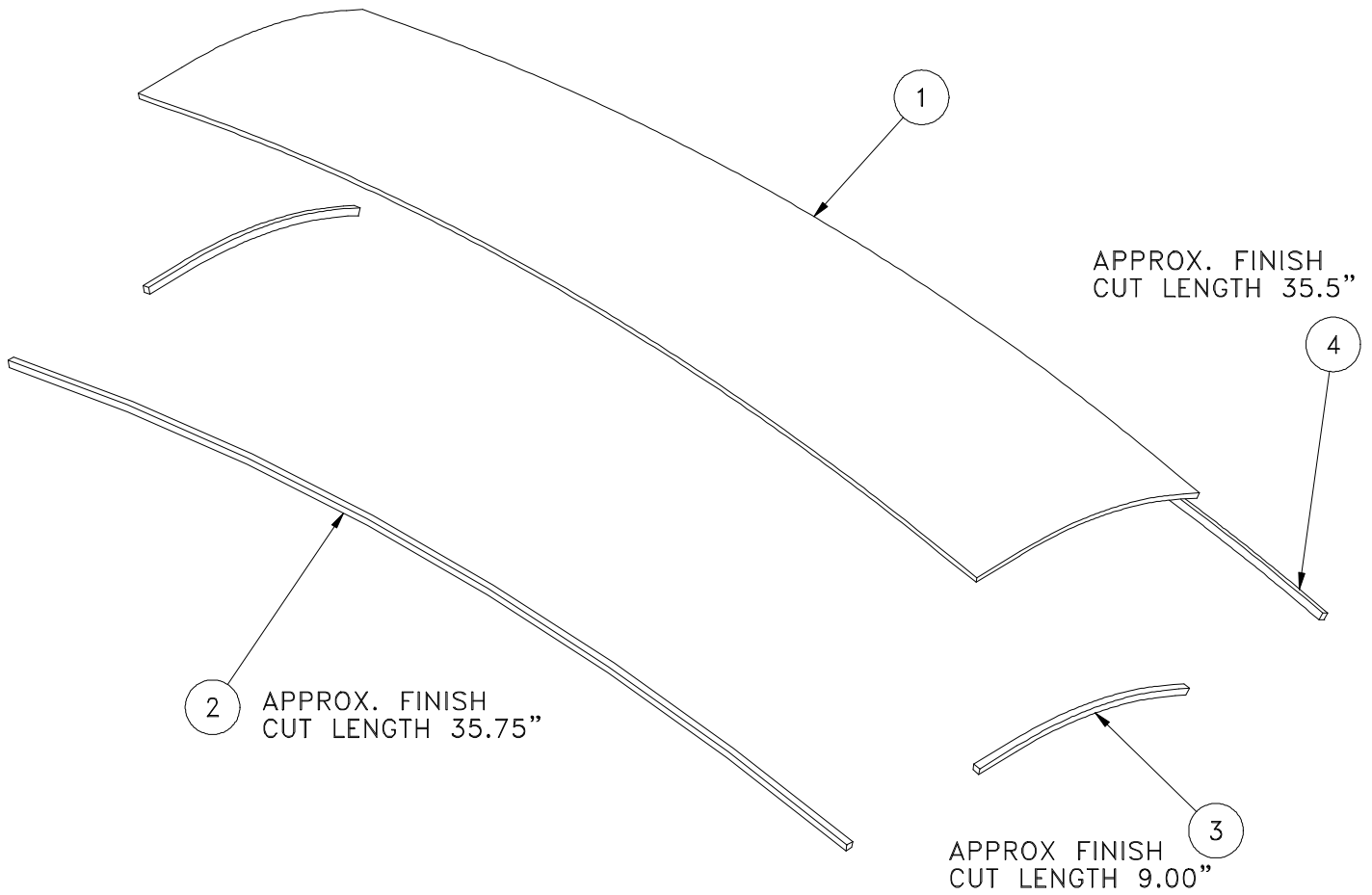
* For any or all of items 2, 3, & 4, use 0417-00065 FOAM, VINYL - PVC VF-5600 SERIES .250 X .250 X 50 FT ROLL (Sold Only as Entire Roll)



ASSY, SUNROOF PANEL

<u>ITEM</u>	<u>PART NO.</u>	<u>DESCRIPTION</u>	<u>QTY.</u>
1	0304-00154	PANEL, SUNROOF 4 PASS GREY SMOKE	1
2	0417-00065	STRIP, WEATHER - FRONT SUNROOF (Formerly 0304-00187)	1
3	0417-00065	STRIP, WEATHER - REAR SUNROOF (Formerly 0304-00188)	1
4	0417-00065	STRIP, WEATHER - SIDE SUNROOF (Formerly 0304-00189)	2

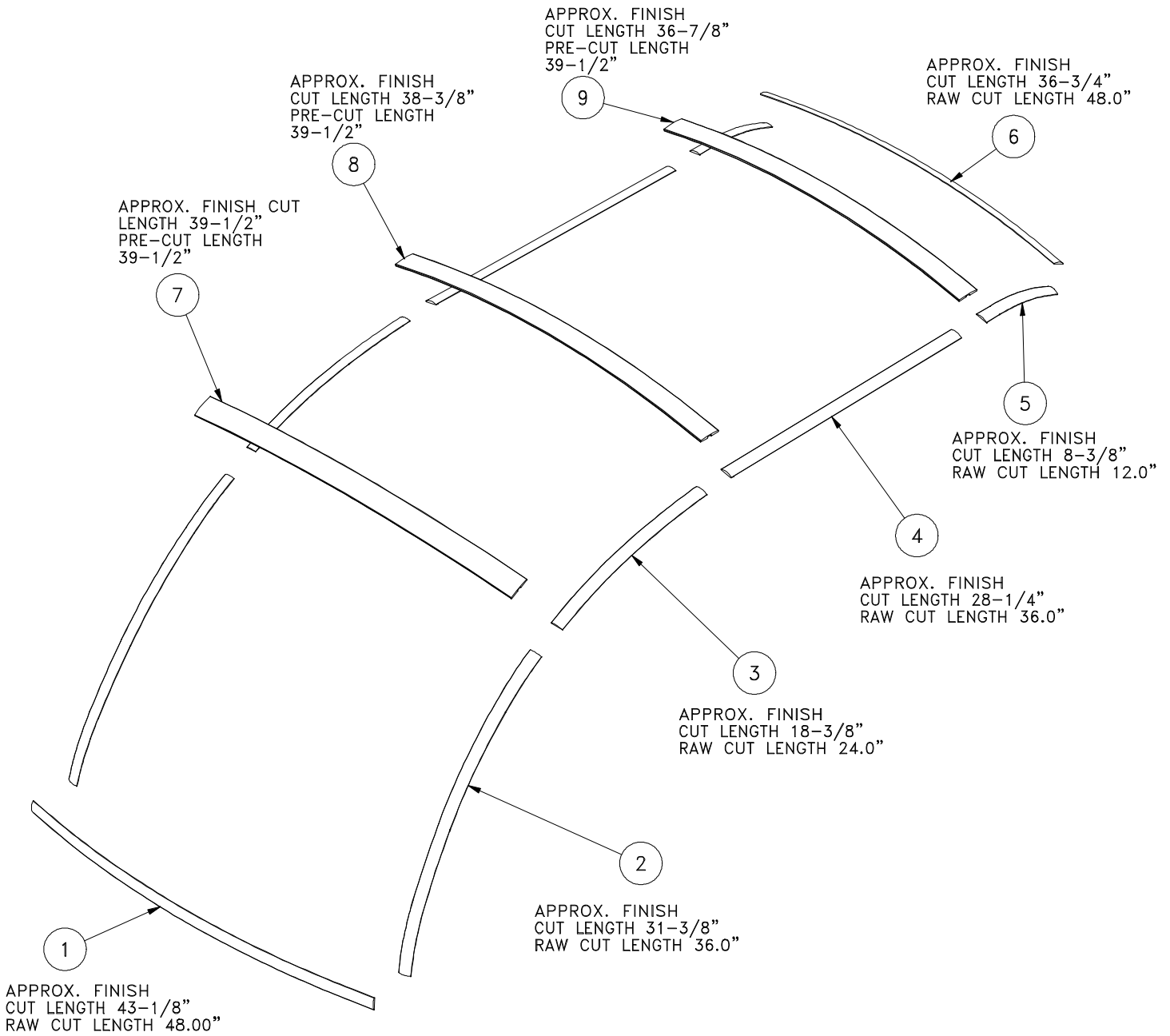
* For any or all of items 2, 3, & 4, use 0417-00065 FOAM, VINYL - PVC VF-5600 SERIES .250 X .250 X 50 FT ROLL (Sold Only as Entire Roll)



ASSY, ROOF PANEL - REAR 4 PASS

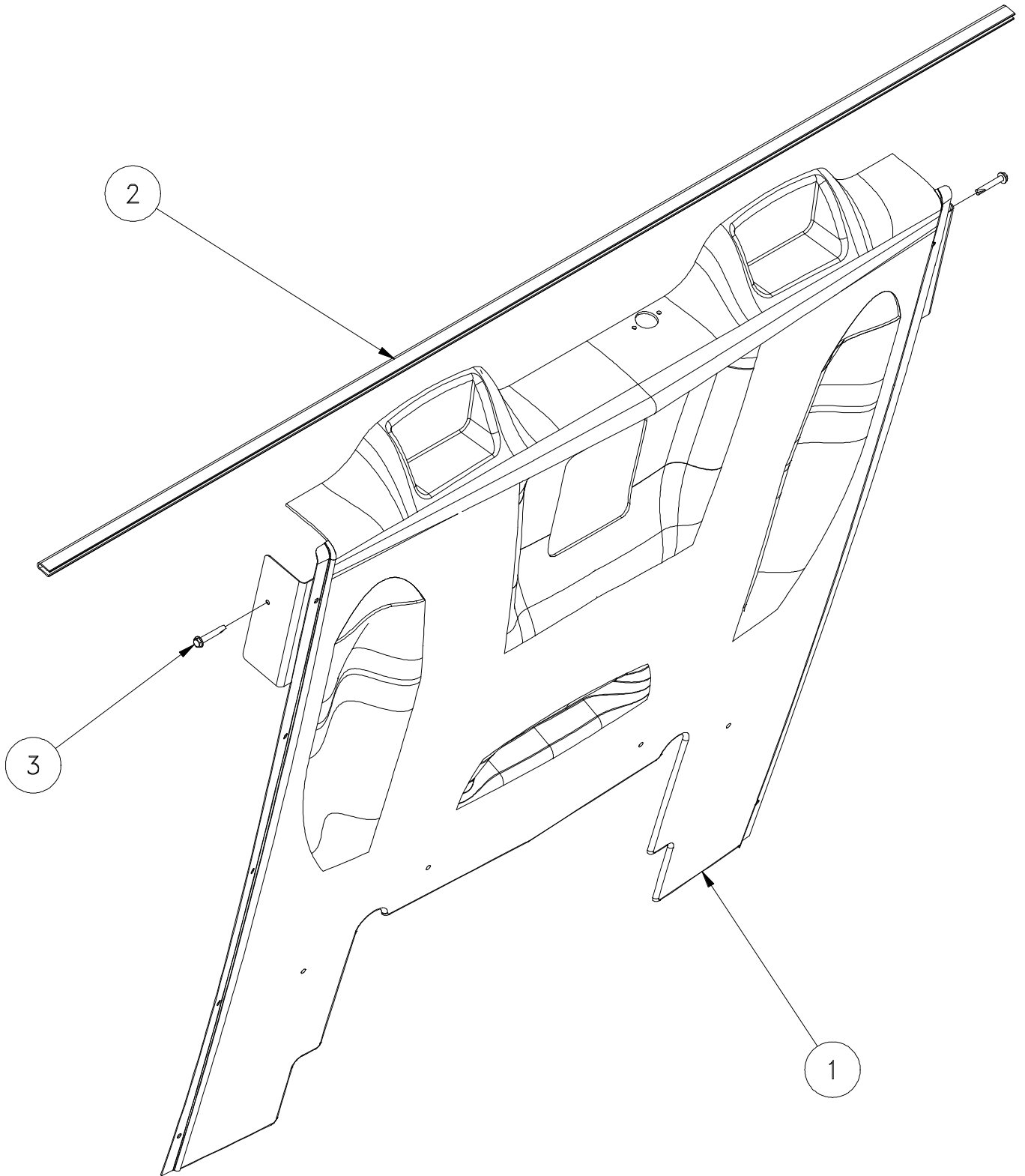
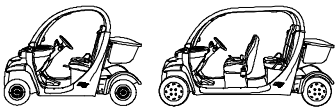
<u>ITEM</u>	<u>PART NO.</u>	<u>DESCRIPTION</u>	<u>QTY.</u>
1	0304-00156	PANEL, ROOF 4 PASS REAR	1
2	0417-00065	STRIP, WEATHER - REAR SUNROOF (Formerly 0304-00188)	1
3	0417-00065	STRIP, WEATHER - SIDE - REAR ROOF (Formerly 0304-00190)	2
4	0417-00065	STRIP, WEATHER - REAR - REAR ROOF (Formerly 0304-00191)	1

* For any or all of items 2, 3, & 4, use 0417-00065 FOAM, VINYL - PVC VF-5600 SERIES .250 X .250 X 50 FT ROLL (Sold Only as Entire Roll)



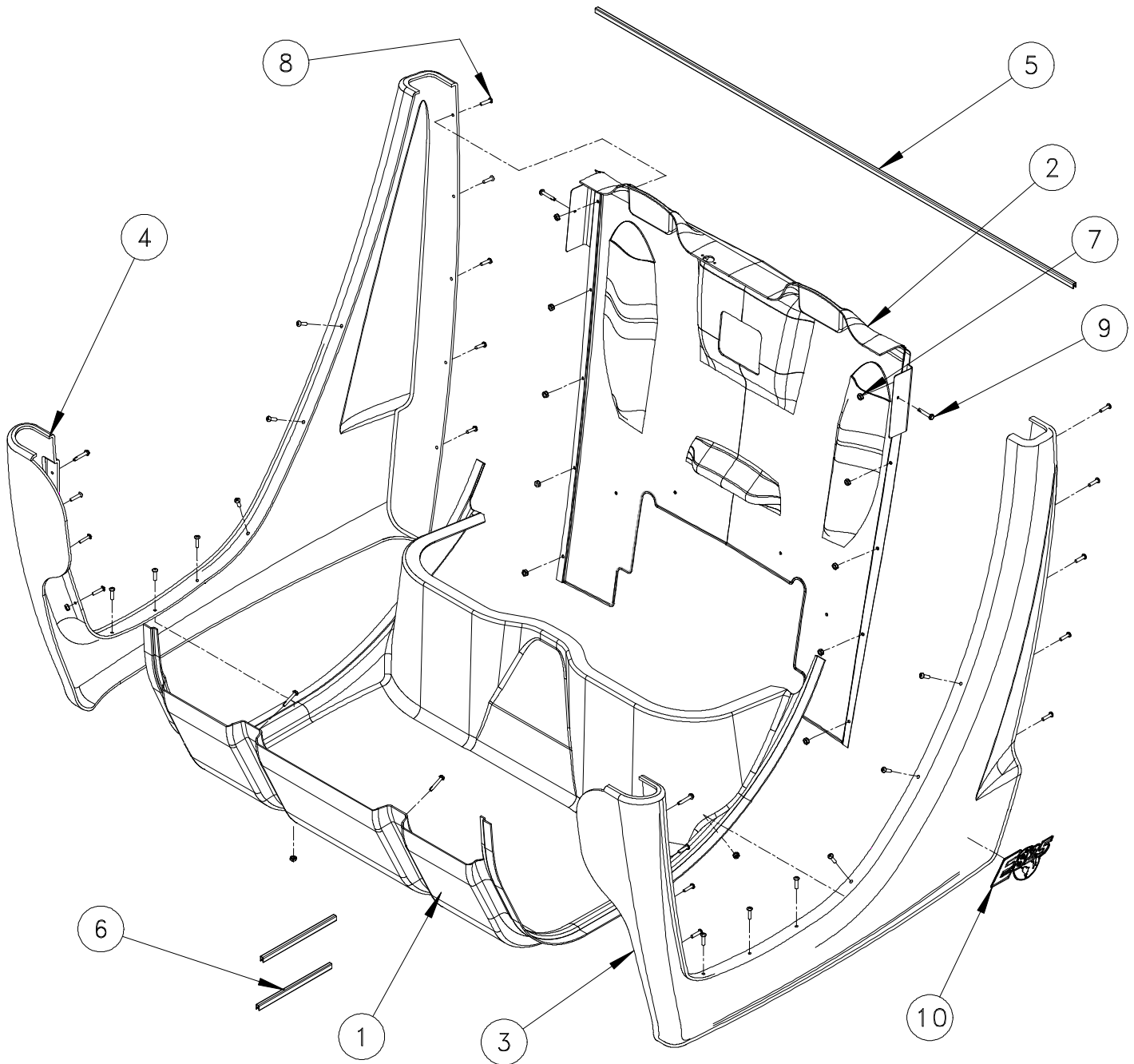
ASSY, ROOF TRIM - 4 PASS

ITEM	PART NO.	DESCRIPTION	QTY.
1	0417-00067	STRIP, TRIM UPPER WINDSHIELD (formerly 0304-00173)	1
2	0417-00067	STRIP, TRIM SIDE WINDSHIELD (formerly 0304-00175)	2
3	0417-00067	STRIP, TRIM - SIDE FRONT ROOF - 4 PASS (formerly 0304-00176)	2
4	0417-00067	STRIP, TRIM - SIDE - SUNROOF (formerly 0304-00179)	2
5	0417-00067	STRIP, TRIM - SIDE REAR ROOF (formerly 0304-00180)	2
6	0417-00067	STRIP, TRIM - REAR REAR ROOF (formerly 0304-00181)	1
7	0417-00214	STRIP, WIDE TRIM - UPPER WINDSHIELD (formerly 0304-01102)	1
8	0417-00214	STRIP, WIDE TRIM - FRONT SUN ROOF (formerly 0304-01103)	1
9	0417-00214	STRIP, WIDE TRIM - REAR SUN ROOF (formerly 0304-01104)	1



ASSY, BACK PANEL

<u>ITEM</u>	<u>PART NO.</u>	<u>DESCRIPTION</u>	<u>QTY.</u>
1	0305-00406	PANEL, BACK 2P-4P	1
2	0417-00141	TRIM, BACK PANEL - 2 PASS WHITE VINYL - 59" (Formerly 0305-00513)	1
3	0523-00122	SCREW, HEX - WHSD 1/4 X 1.5 ZINC PLATED	2

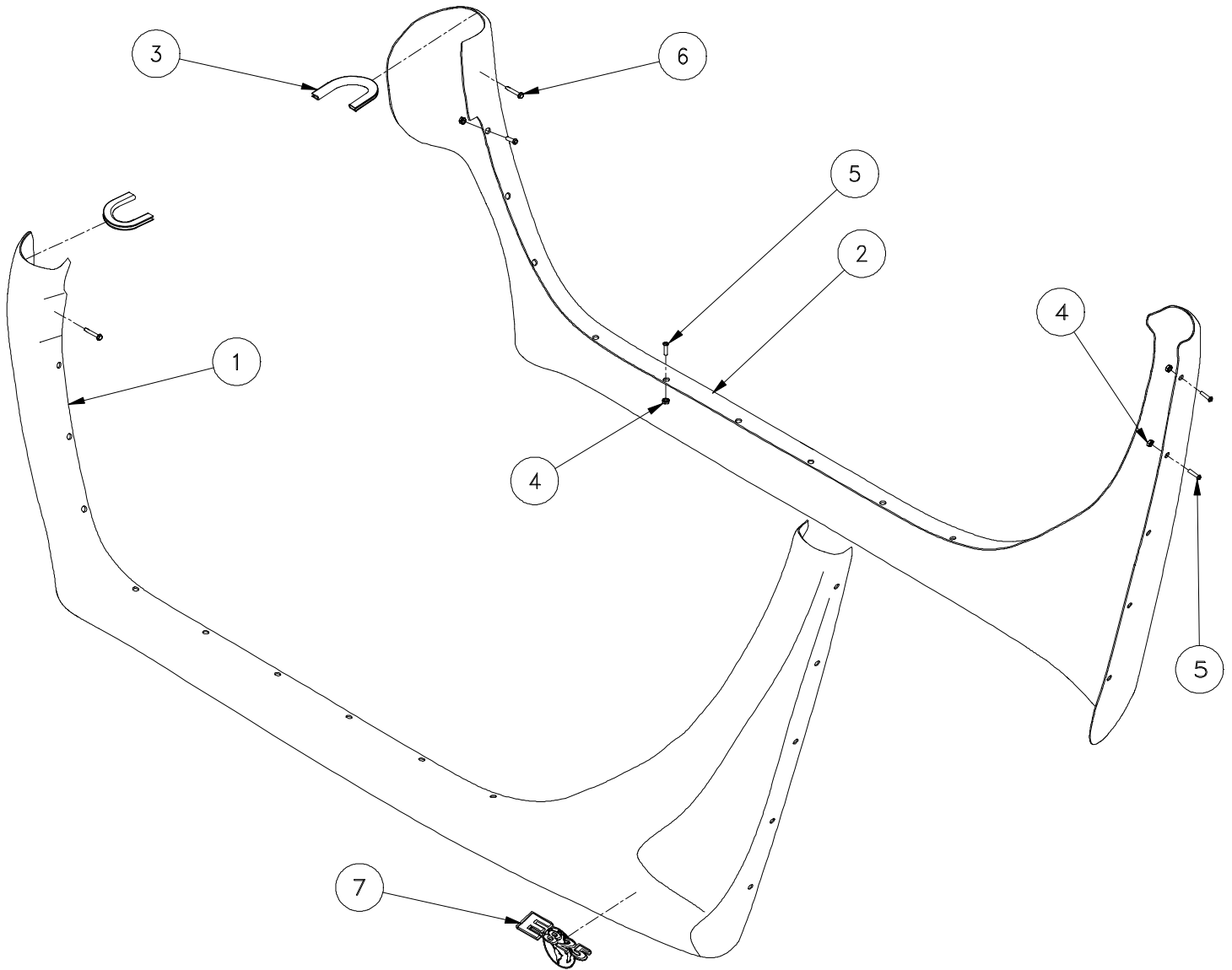


ASSY, BACK PANEL - FLOOR PANEL - SIDE PANELS

<u>ITEM</u>	<u>PART NO.</u>	<u>DESCRIPTION</u>	<u>QTY.</u>
1	0105-00859	ASSY, PANEL - FLOOR, PLASTIC - 2 PASS - W/O INLET CUTOUT	1
2	0305-00406	PANEL, BACK	1
3	0305-00411	PANEL, SIDE - LH 2 PASS	1
4	0305-00517	PANEL, SIDE - RH 2 PASS	1
5	0417-00141	TRIM, BACK PANEL - 2 PASS WHITE VINYL - 59" (Formerly 0305-00513)	1
6	0417-00141	TRIM, EDGE - U SHAPE WHITE VINYL METAL 9"	2
7	0521-00071	NUT,KEPS - 1/4 - 20 UNC ZINC PLATED GR 5 ZINC PLATED	28
8	0523-00280	SCREW, MACH - TRUSS HEAD PHIL 1/4-20 UNC X 1.00 LG STAINLESS STEEL -	28
9	0523-00122	SCREW, HEX - WHSD 1/4 X 1.5 ZINC PLATED	6

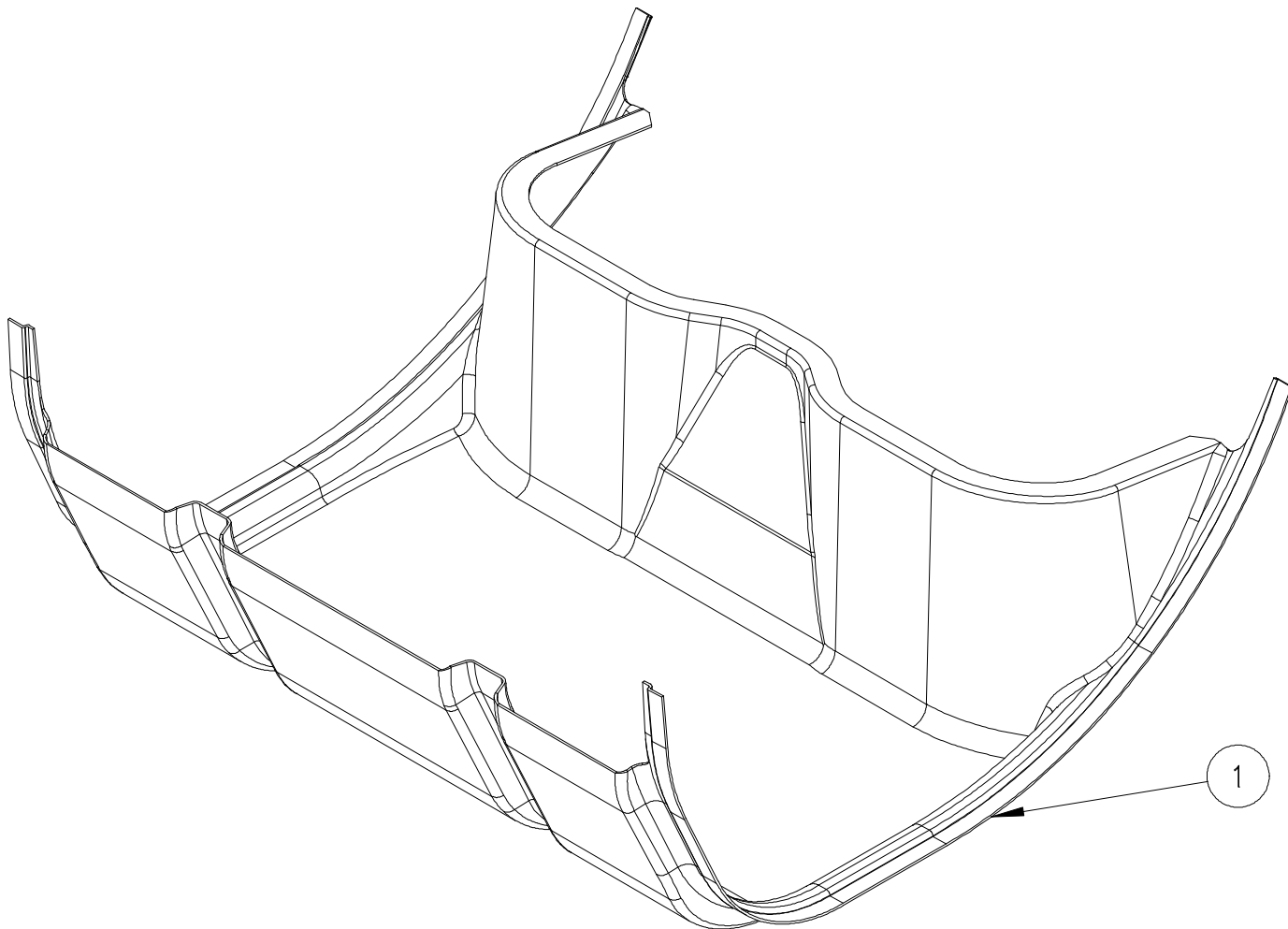
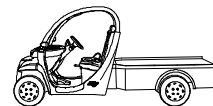
*10 0350-00536 DECAL, E825 - 7.75 X 3.50

*ITEM # 10 IS NOT PART OF ASSEMBLY # 1105-00037



ASSY, SIDE PANEL - 4 PASS ABS

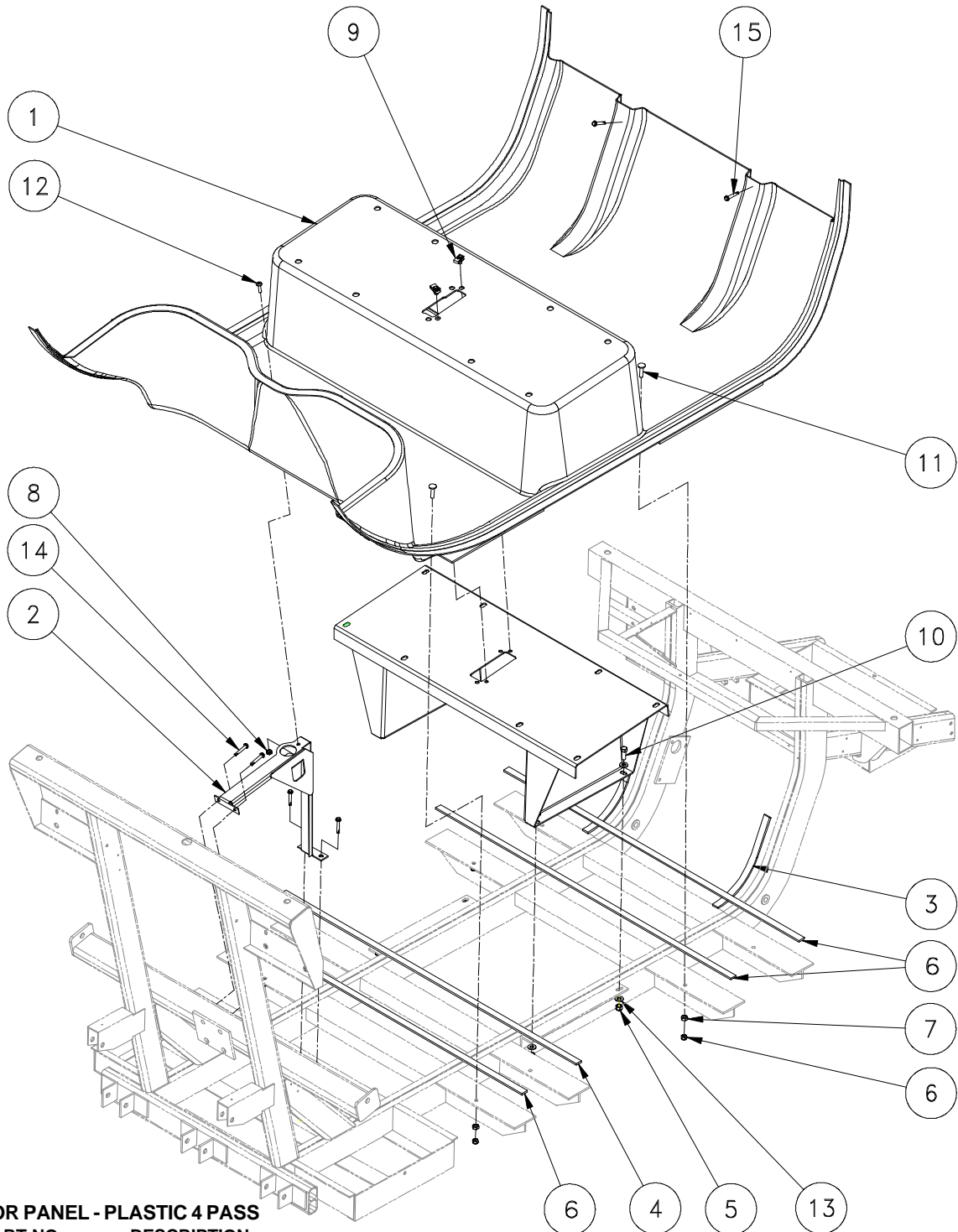
<u>ITEM</u>	<u>PART NO.</u>	<u>DESCRIPTION</u>	<u>QTY.</u>
1	0305-00629	PANEL, SIDE - LH 4 PASS ABS	1
2	0305-00630	PANEL, SIDE - RH 4 PASS ABS	1
3	0417-00141	TRIM, EDGE - U SHAPE WHITE VINYL - 9" (FORMERLY 0317-00888)	2
4	0521-00071	NUT, KEPS - 1/4 - 20 UNC ZINC PLATED GR 5 ZINC PLATED	4
5	0522-00333	BOLT, TORX - TRUSS HD - 1/4 - 20 X 1 - 18-8 S.S.	4
6	0532-00122	SCREW, HEX - WHSD 1/4 X 1.5 ZINC PLATED	2
7	0350-00536	DECAL, E825 - 7.75 X 3.50	2



0105-00436 - ASSY, PANEL - FLOOR PLASTIC 2 PASS

<u>ITEM</u>	<u>PART NO.</u>	<u>DESCRIPTION</u>
1	0105-00436	ASSY, PANEL - FLOOR PLASTIC 2 PASS

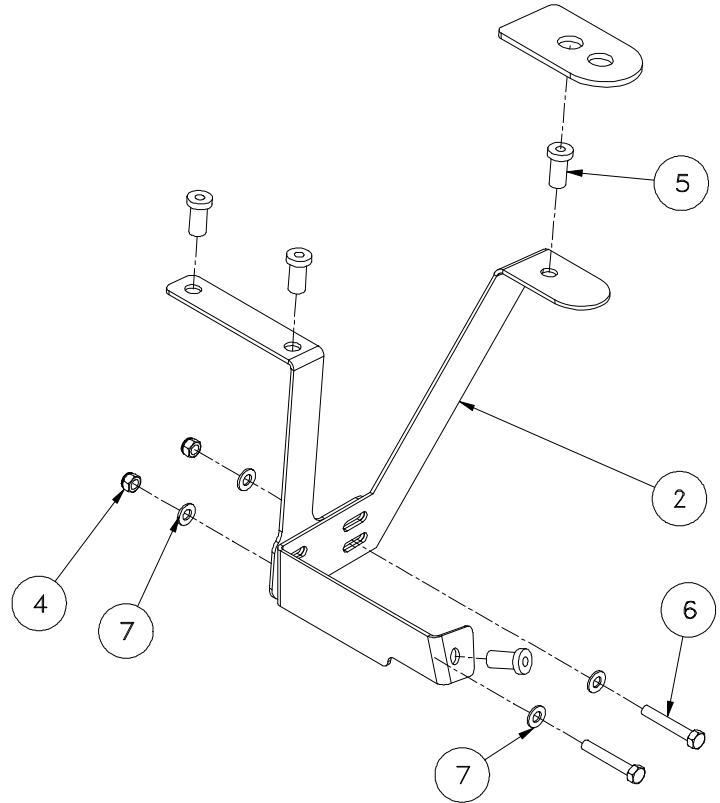
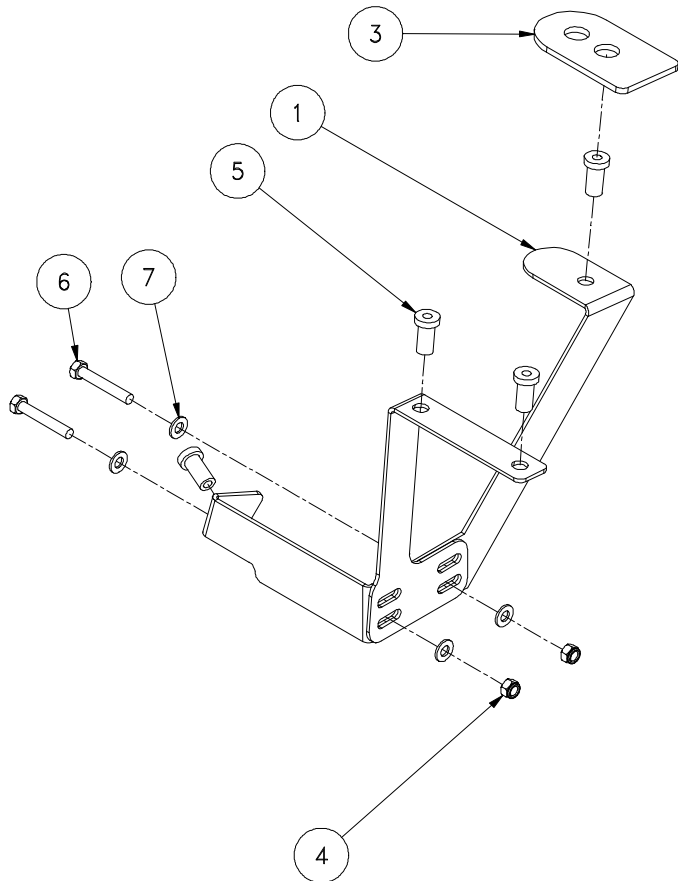
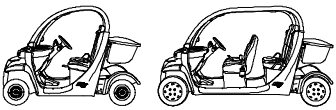
<u>QTY.</u>
1



ASSY, FLOOR PANEL - PLASTIC 4 PASS

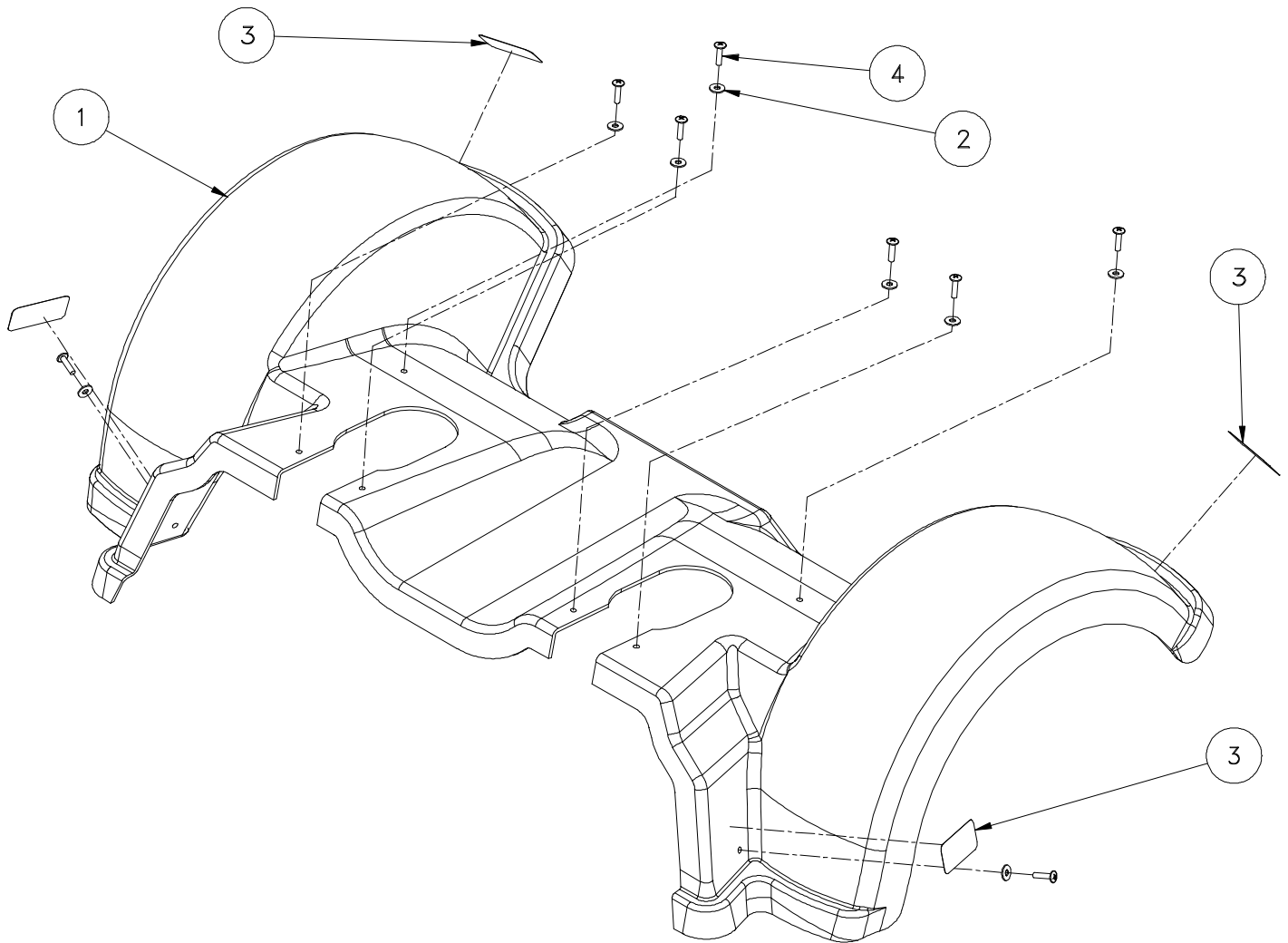
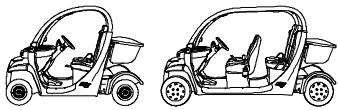
ITEM	PART NO.	DESCRIPTION	QTY.
‡1	0105-00860	ASSY, PANEL - FLOOR, PLASTIC-4PASS-W/O C 4 PASS PLASTIC	1
2	0211-00117	WLDMT, BRACKET REAR SEAT HOLDDOWN	1
3	0417-00066	STRIP, VINYL - FOAM PVC VF-5100 SERIES .187 X .75 X 11 (Formerly P/N 0317-00858)	2
4	0417-00066	STRIP, VINYL - FOAM PVC VF-5100 SERIES .187 X .75 X 41 (Formerly P/N 0317-00973)	4
5	0521-00010	NUT, HEX - NYLOCK 3/8-16 UNC GR5 ZN	4
6	0521-00017	NUT, HEX - NYLOCK 5/16-18 UNC GR5 ZN	4
7	0521-00031	NUT, HEX - 5/16-18 UNC GR 5 ZN ZINC PLATED	4
8	0521-00071	NUT, KEPS - 1/4 - 20 UNC ZINC PLATED GR 5 ZINC PLATED	1
9	0521-00225	NUT, EXTRUDED U-NUT 5/16 - 18 -	2
10	0522-00063	BOLT, HEX - HHCS 3/8-16 UNC x 1.0 LG GR 5 ZINC PLATED	4
11	0522-00121	BOLT, WELD - PROJECTION 5/16 - 18 UNC X 1.25 GR 5 BLK	4
12	0523-00280	SCREW, MACH TRUSS HEAD PHIL 1/4 - 20 UNC X 1.0 LG SST	1
13	0524-00009	WASHER, FLAT - 3/8 SAE .406 ID X .8125 OD X .080 THK ZN	8
14	0523-00122	SCREW, HEX - WHSD 1/4 X 1.5 ZINC PLATED	6

‡ The floor panel is available only without the hole for the outlet plug. Drill to $\phi 1.875$ for outlet plug



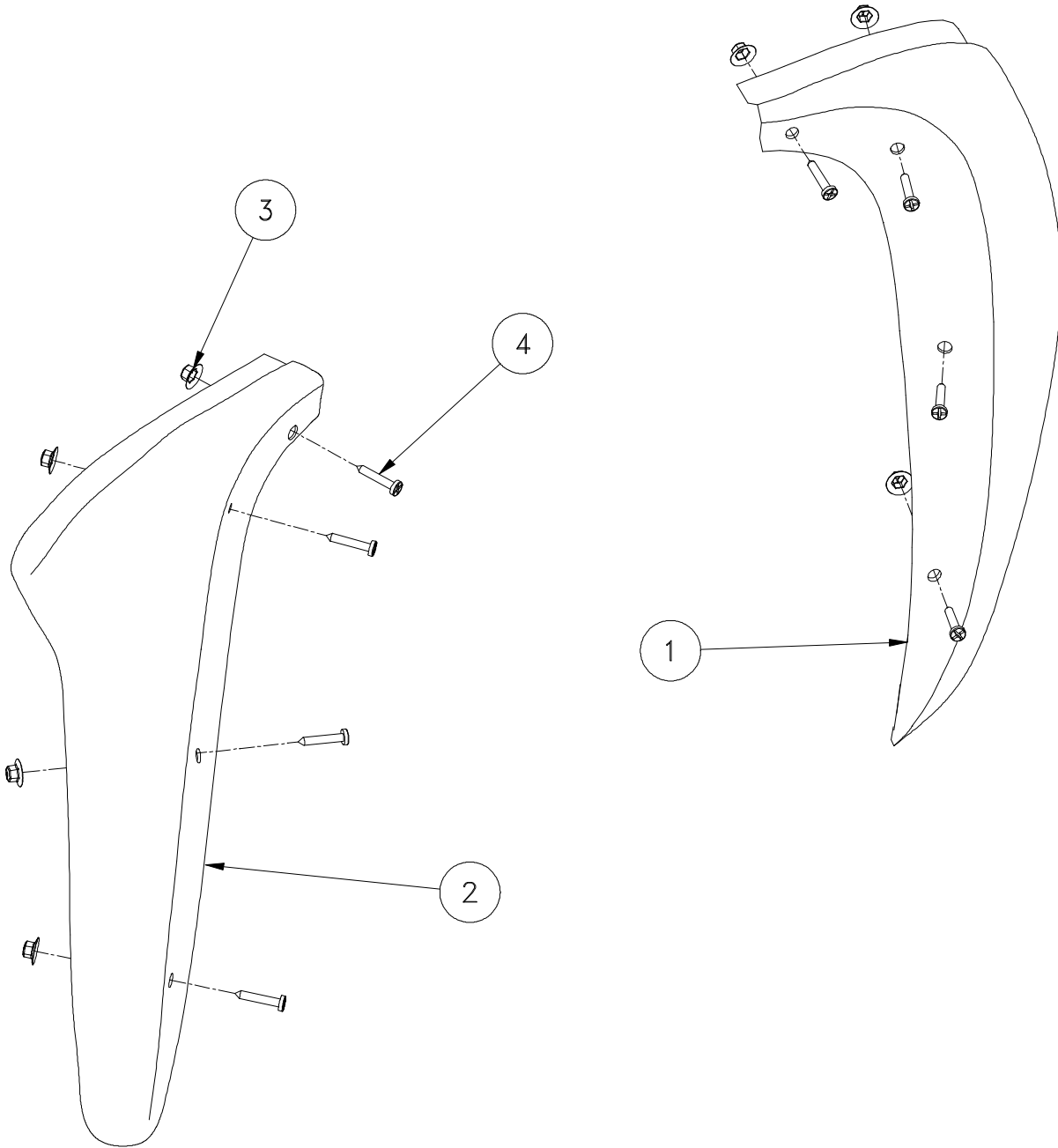
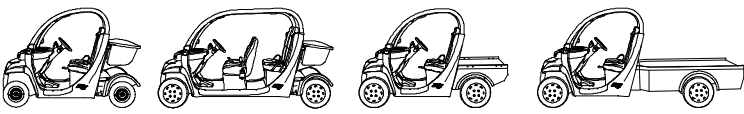
0105-00547 ASSY, SPAT SUPPORT

<u>ITEM</u>	<u>PART NO.</u>	<u>DESCRIPTION</u>	<u>QTY.</u>
1	0205-00114	WLD, SPAT SUPPORT - RH	1
2	0205-00115	WLD, SPAT SUPPORT - LH	1
3	0305-00436	PAD, SPAT BRACKET	2
4	0521-00017	NUT, HEX - NYLOCK 5/16-18 UNC GR5 ZN	4
5	0521-00279	NUT, WELL - 1/4 - 20 UNC x 1"	8
6	0522-00051	BOLT, HEX - HHCS 5/16 - 18 UNC X 2.0 GR 5 ZINC PLATED	4
7	0524-00003	WASHER, FLAT - 5/16 SAE .344 ID X .688 OD X .065 THK ZN	8



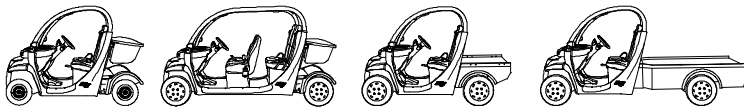
ASSY, SPAT - COLOR MATCH PLASTIC COMPLETE

<u>ITEM</u>	<u>PART NO.</u>	<u>DESCRIPTION</u>	<u>QTY.</u>
1	0305-00793	SPAT, RED - COLOR MATCH PLASTIC WIDE	1
1	0305-00794	SPAT, YELLOW - COLOR MATCH PLASTIC WIDE	1
1	0305-00795	SPAT, BLUE - COLOR MATCH PLASTIC WIDE	1
1	0305-00796	SPAT, GREEN - COLOR MATCH PLASTIC WIDE	1
1	0305-00797	SPAT, WHITE - COLOR MATCH PLASTIC WIDE	1
1	0305-00798	SPAT, SILVER - COLOR MATCH PLASTIC WIDE	1
2	0524-00053	WASHER, FLAT - 1/4 BLACK PLASTIC	8
3	0350-00542	DECAL, REFLECTORS	4
4	0523-00280	SCREW, MACH TRUSS HEAD PHIL 1/4 - 20 UNC X 1.0 LG SST	8



- 0105-00568 ASSY, MUD GUARD, RED - COLOR MATCHED PLASTIC
- 0105-00569 ASSY, MUD GUARD, YELLOW, COLOR MATCHED PLASTIC
- 0105-00570 ASSY, MUD GUARD, BLUE - COLOR MATCHED PLASTIC
- 0105-00571 ASSY, MUD GUARD, GREEN - COLOR MATCHED PLASTIC
- 0105-00572 ASSY, MUD GUARD, WHITE - COLOR MATCHED PLASTIC
- 0105-00573 ASSY, MUD GUARD, SILVER - COLOR MATCHED PLASTIC

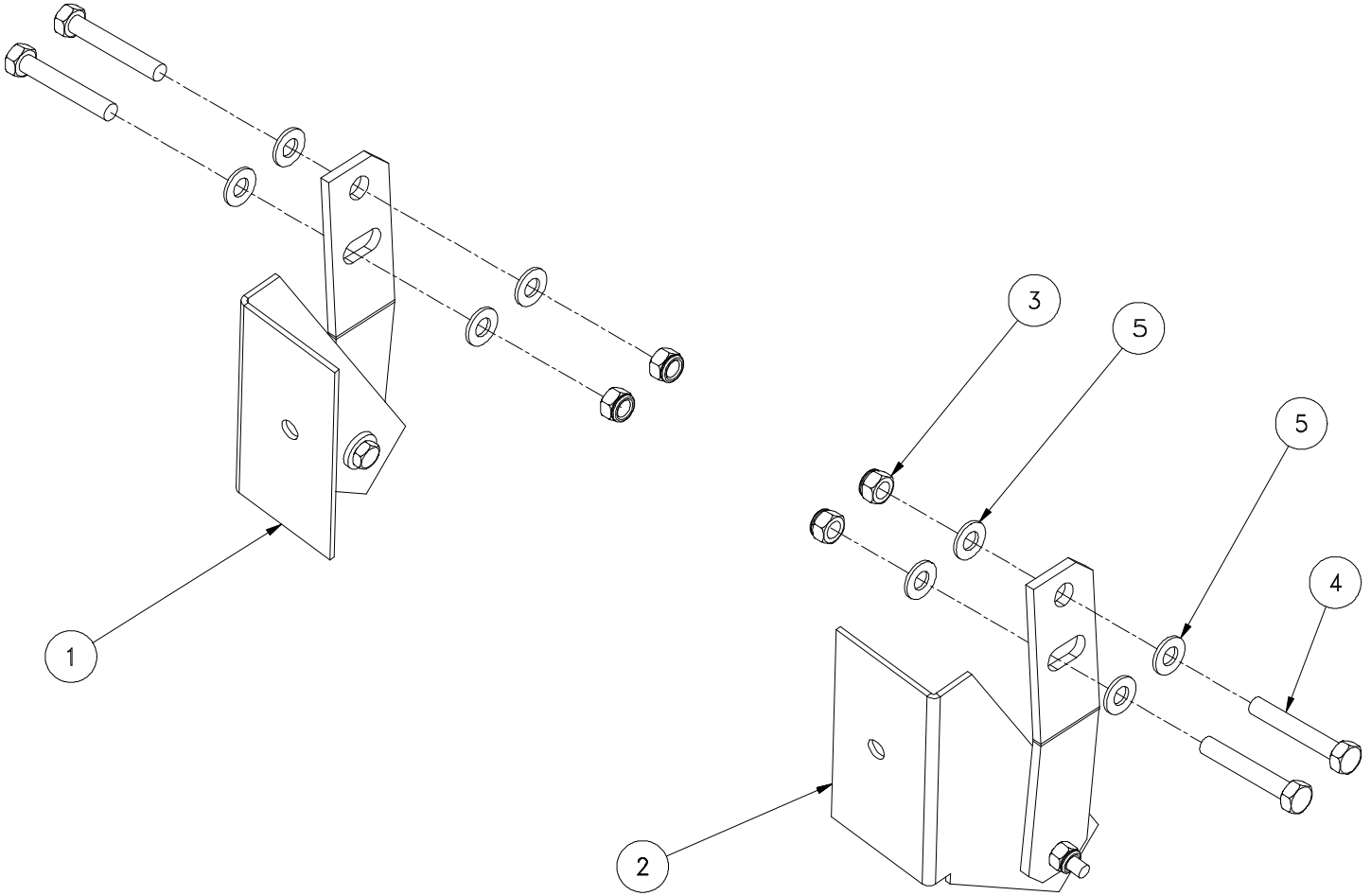
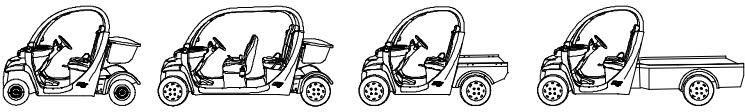
ITEM	PART NO.	DESCRIPTION	QTY.
1	0305-00781	GUARD, MUD, RED RH - COLOR MATCHED PLASTIC	1
2	0305-00782	GUARD, MUD, RED LH - COLOR MATCHED PLASTIC	1
1	0305-00783	GUARD, MUD, YELLOW RH - COLOR MATCHED PLASTIC	1
2	0305-00784	GUARD, MUD, YELLOW LH - COLOR MATCHED PLASTIC	1
1	0305-00785	GUARD, MUD, BLUE RH - COLOR MATCHED PLASTIC	1
2	0305-00786	GUARD, MUD, BLUE LH - COLOR MATCHED PLASTIC	1
1	0305-00787	GUARD, MUD, GREEN RH - COLOR MATCHED PLASTIC	1
2	0305-00788	GUARD, MUD, GREEN LH - COLOR MATCHED PLASTIC	1
1	0305-00789	GUARD, MUD, WHITE RH - COLOR MATCHED PLASTIC	1
2	0305-00790	GUARD, MUD, WHITE LH - COLOR MATCHED PLASTIC	1
1	0305-00791	GUARD, MUD, SILVER RH - COLOR MATCHED PLASTIC	1
2	0305-00792	GUARD, MUD, SILVER LH - COLOR MATCHED PLASTIC	1
3	0521-00319	NUT, WASHER LOCK #12 - MECH ZINC	8
4	0523-00162	SCREW, PHIL PAN HEAD- #12 X 1 1/4 LG SST 18-8 SELF THREADING	8



NOTE: THIS PAGE IS FOR FIBERGLASS MUD GUARDS ONLY

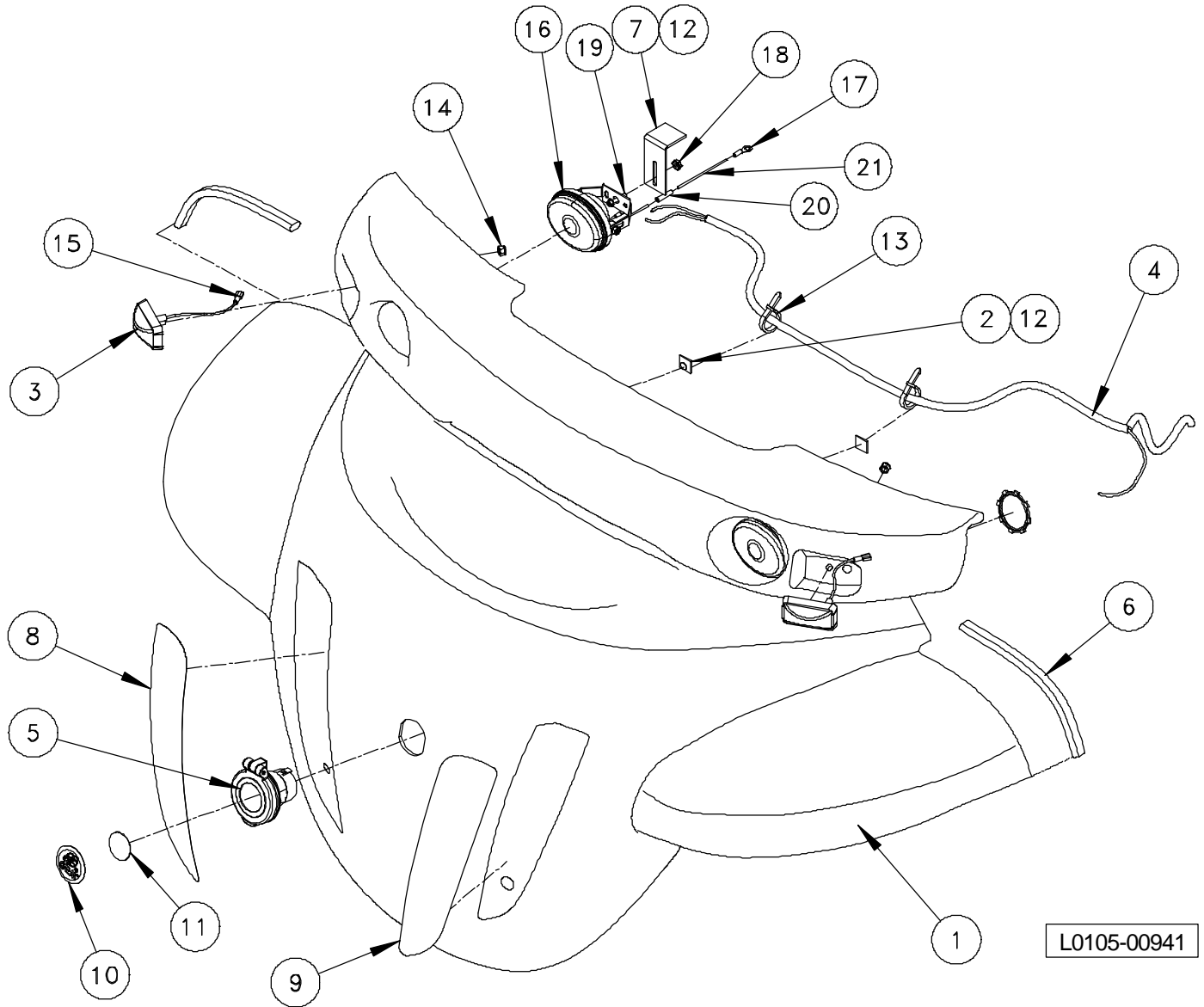
- 0105-00248 ASSY, MUD GUARD - RED
- 0105-00249 ASSY, MUD GUARD - WHITE
- 0105-00250 ASSY, MUD GUARD - YELLOW
- 0105-00383 ASSY, MUD GUARD - BLUE
- 0105-00251 ASSY, MUD GUARD - GREY
- 0105-00252 ASSY, MUD GUARD - GREEN
- 0105-00253 ASSY, MUD GUARD - BURGUNDY
- 0105-00254 ASSY, MUD GUARD - CUSTOM

ITEM	PART NO.	DESCRIPTION	QTY.
1	0521-00161	NUT, SPEED #10 PHOS & OIL	4
2	0523-00162	SCREW, #12 x 1-1/4 PHIL PAN SS	4
3	0305-00331	GUARD, MUD - LH RED	1
4	0305-00332	GUARD, MUD - RH RED	1
3	0305-00333	GUARD, MUD - LH WHITE	1
4	0305-00334	GUARD, MUD - RH WHITE	1
3	0305-00335	GUARD, MUD - LH YELLOW	1
4	0305-00336	GUARD, MUD - RH YELLOW	1
3	0305-00337	GUARD, MUD - LH BLUE	1
4	0305-00338	GUARD, MUD - RH BLUE	1
3	0305-00339	GUARD, MUD - LH GREY	1
4	0305-00340	GUARD, MUD - RH GREY	1
3	0305-00341	GUARD, MUD - LH GREEN	1
4	0305-00342	GUARD, MUD - RH GREEN	1
3	0305-00343	GUARD, MUD - LH BURG	1
4	0305-00344	GUARD, MUD - RH BURG	1
3	0305-00345	GUARD, MUD - LH CUSTOM	1
4	0305-00346	GUARD, MUD - RH CUSTOM	1



0105-00107 ASSY, HOOD HINGE

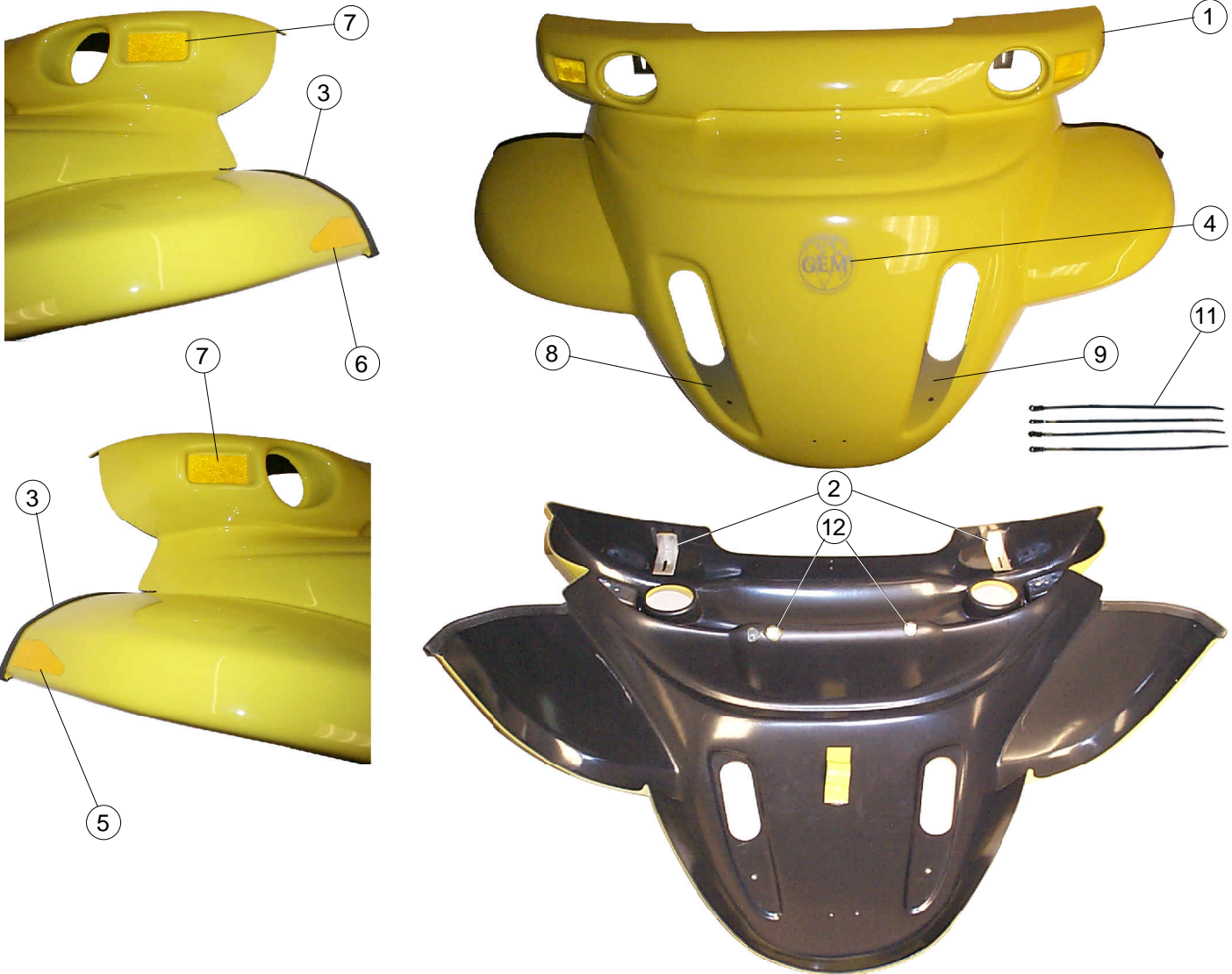
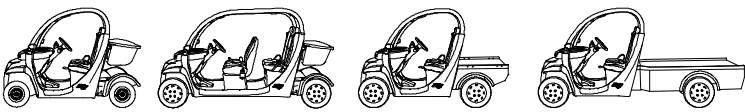
<u>ITEM</u>	<u>PART NO.</u>	<u>DESCRIPTION</u>	<u>QTY.</u>
1	0105-00592	ASSY, HOOD HINGE RH	1
2	0105-00593	ASSY, HOOD HINGE LH	1
3	0521-00017	NUT, HEX - NYLOCK 5/16-18 UNC GR5 ZN	4
4	0522-00051	BOLT, HEX - HHCS 5/16 - 18 UNC X 2.0 GR 5 ZINC PLATED	4
5	0524-00003	WASHER, FLAT - 5/16 SAE .344 ID X .688 OD X .065 THK ZN	8



L0105-00941

ASSY, HOOD COMPLETE

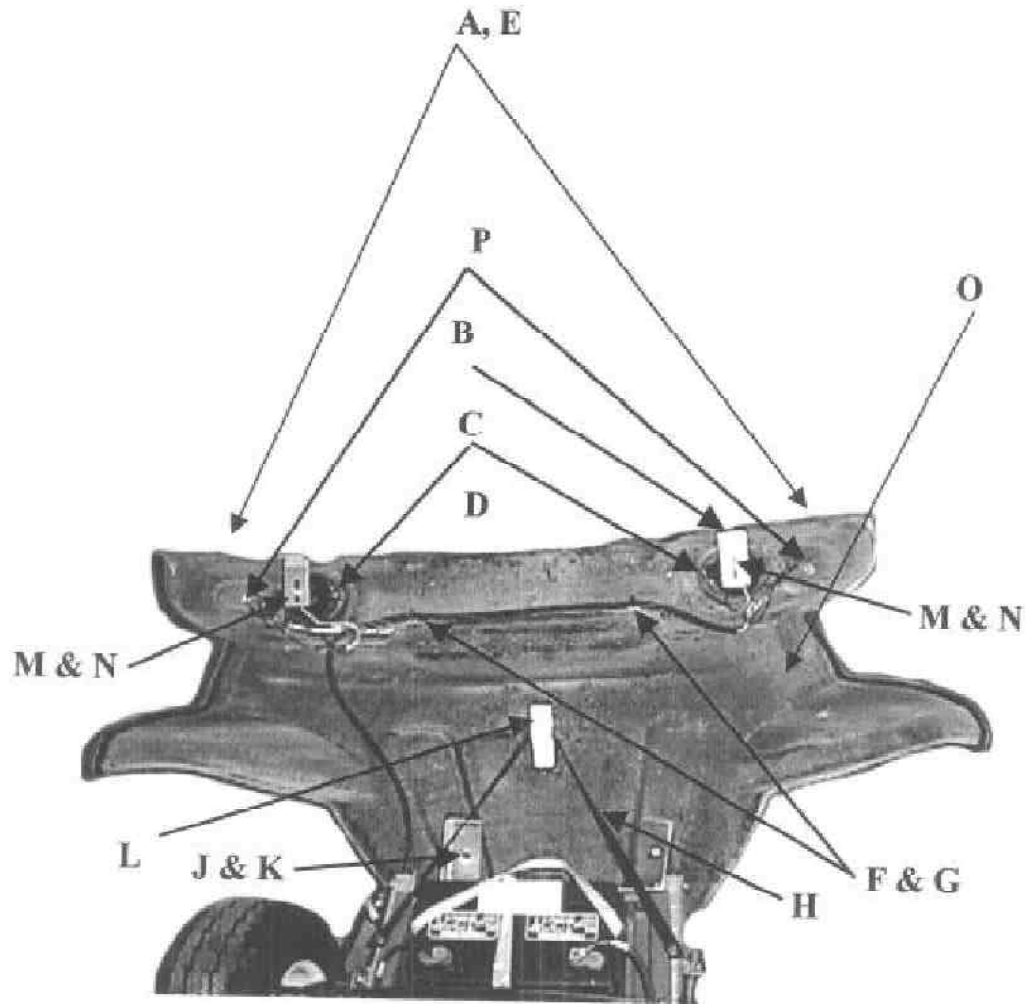
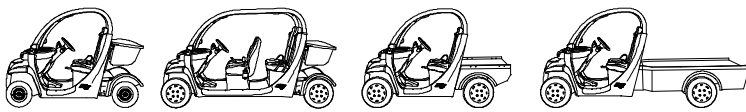
<u>ITEM</u>	<u>PART NO.</u>	<u>DESCRIPTION</u>	<u>QTY.</u>
1	0105-00847	ASSY, HOOD, RED - CMP - W/INLET CUTOUT	1
1	0105-00848	ASSY, HOOD, YELLOW - CMP - W/INLET CUTOUT	1
1	0105-00849	ASSY, HOOD, BLUE - CMP - W/INLET CUTOUT	1
1	0105-00850	ASSY, HOOD, GREEN - CMP - W/INLET CUTOUT	1
1	0105-00851	ASSY, HOOD, WHITE - CMP - W/INLET CUTOUT	1
1	0105-00852	ASSY, HOOD, SILVER - CMP - W/INLET CUTOUT	1
2	0610-00099	3/4 SQUARECRADLEMOUNTNYL	2
3	0106-00184	ASSY, LIGHT BLINKER - AMBER	2
4	0106-00290	ASSY, HARNESS HEADLIGHT	1
5	0110-00832	ASSY, EXTERIOR CHARGING INLET HOUSING	1
6	0305-00885	TRIM, HOOD BLACK 10.5 INCH	2
7	0310-00505	BKT, HEAD LIGHT - SECONDARY -	2
8	0350-00538	DECAL, HOOD GRILLE - RH	1
9	0350-00546	DECAL, HOOD GRILLE - LH	1
10	0350-01133	DECAL, EXTERIOR CHARGING INLET - EMBLEM	1
11	0350-01134	DECAL, EXTERIOR CHARGING INLET - FILLER	1
12	0408-00186	ADHESIVE, METHACRYLATE	1
13	0510-00137	TIE, CABLE W/#10 MOUNT HOLE 9" BLACK	2
14	0521-00050	NUT, HEX - NYLOCK 1/4-20 UNC GR5 ZN	2
15	0606-00108	TERMINAL, SPADE - FEMALE INSULATTED 1/4 16 - 14 GA WIRE	2
16	0106-00164	ASSY, LIGHT - HEAD	2
17	0606-00095	TERMINAL, RING 22-18 - 1/4 - RED	2
18	0521-00014	NUT, KEPS - 12 - 24 UNC ZINC PLATED GR 5 ZINC PLATED	2
19	0523-00134	SCREW, MACHINE #12-24 x 1 HEX SLOT HEAD	2
20	0606-00096	CONNECTOR, BUTT SPLICE - 18-22 GA. - PINK	2
21	0306-00504	WIRE, GROUND - HEAD LIGHT	2



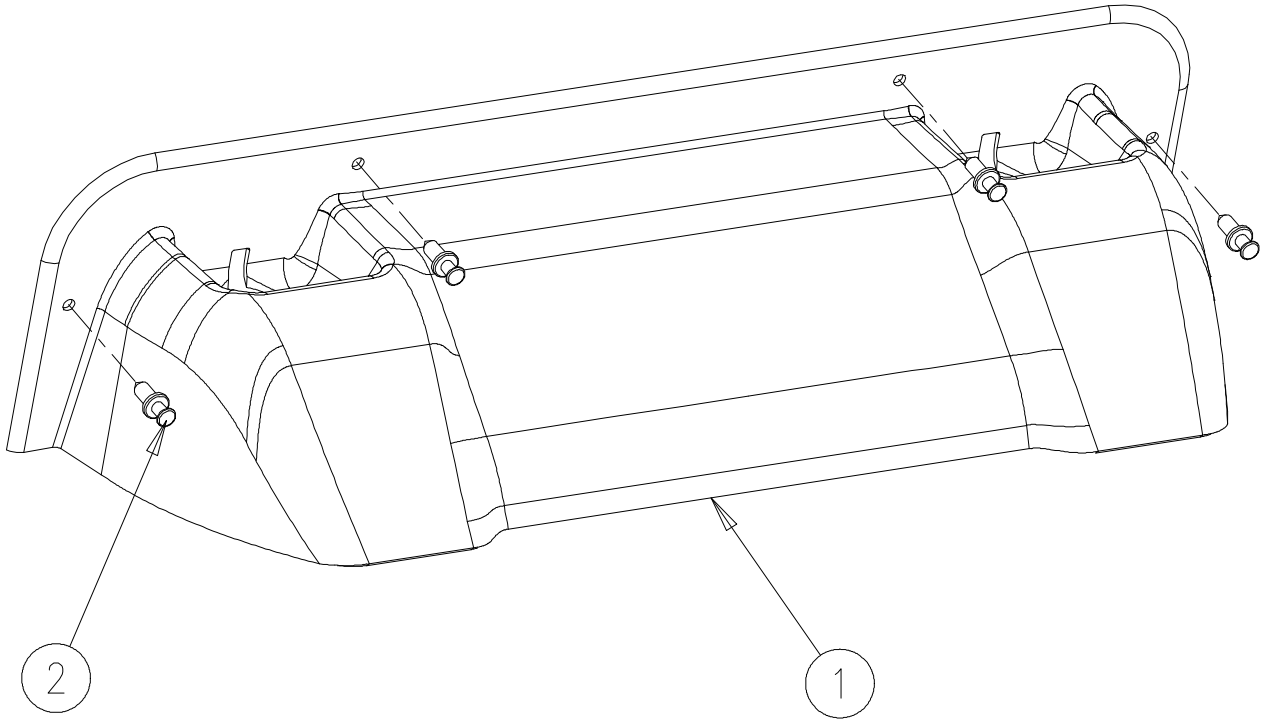
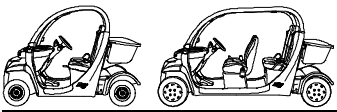
- 1205-00014 KIT, HOOD, RED - COLOR MATCHED PLASTIC NY - SERVICE
- 1205-00015 KIT, HOOD, YELLOW - COLOR MATCHED PLASTIC NY - SERVICE
- 1205-00016 KIT, HOOD, BLUE - COLOR MATCHED PLASTIC NY - SERVICE
- 1205-00017 KIT, HOOD, GREEN - COLOR MATCHED PLASTIC NY - SERVICE
- 1205-00018 KIT, HOOD, WHITE - COLOR MATCHED PLASTIC NY - SERVICE
- 1205-00019 KIT, HOOD, SILVER - COLOR MATCHED PLASTIC NY - SERVICE

ITEM	PART NO.	DESCRIPTION	QTY.
1	0105-00788	ASSY, HOOD, RED - COLOR MATCHED PLASTIC NY	1
1	0105-00789	ASSY, HOOD, YELLOW - COLOR MATCHED PLASTIC NY	1
1	0105-00790	ASSY, HOOD, BLUE - COLOR MATCHED PLASTIC NY	1
1	0105-00791	ASSY, HOOD, GREEN - COLOR MATCHED PLASTIC NY	1
1	0105-00792	ASSY, HOOD, WHITE - COLOR MATCHED PLASTIC NY	1
1	0105-00793	ASSY, HOOD, SILVER - COLOR MATCHED PLASTIC NY	1
2	0310-00505	BKT, HEAD LIGHT - SECONDARY	2
3	0417-00089	TRIM, HOOD - 10.5 INCH (Formerly 0305-00885 Sell as 0417-00089 order 1 ft. per side)	2
4	0350-01052	DECAL, 4" DIA. GEM - FRONT HOOD	1
5	0350-01053	DECAL, REFLECTIVE - RH FRONT YELLOW	1
6	0350-01054	DECAL, REFLECTIVE - LH FRONT YELLOW	1
7	0350-01066	DECAL, REFLECTIVE - FRONT YELLOW	2
8	0350-01071	DECAL, HOOD GRILLE - RH NY	1
9	0350-01072	DECAL, HOOD GRILLE - LH NY	1
*10	0408-00139	ADHESIVE, METHACRYLATE (Not Shown)	12.5
11	0510-00137	TIE, CABLE W/#10 MOUNT HOLE 9 BLACK"	4
12	0610-00099	3/4 SQUARE CRADLE MOUNT NYL"	2

* NOT SOLD SEPARATELY

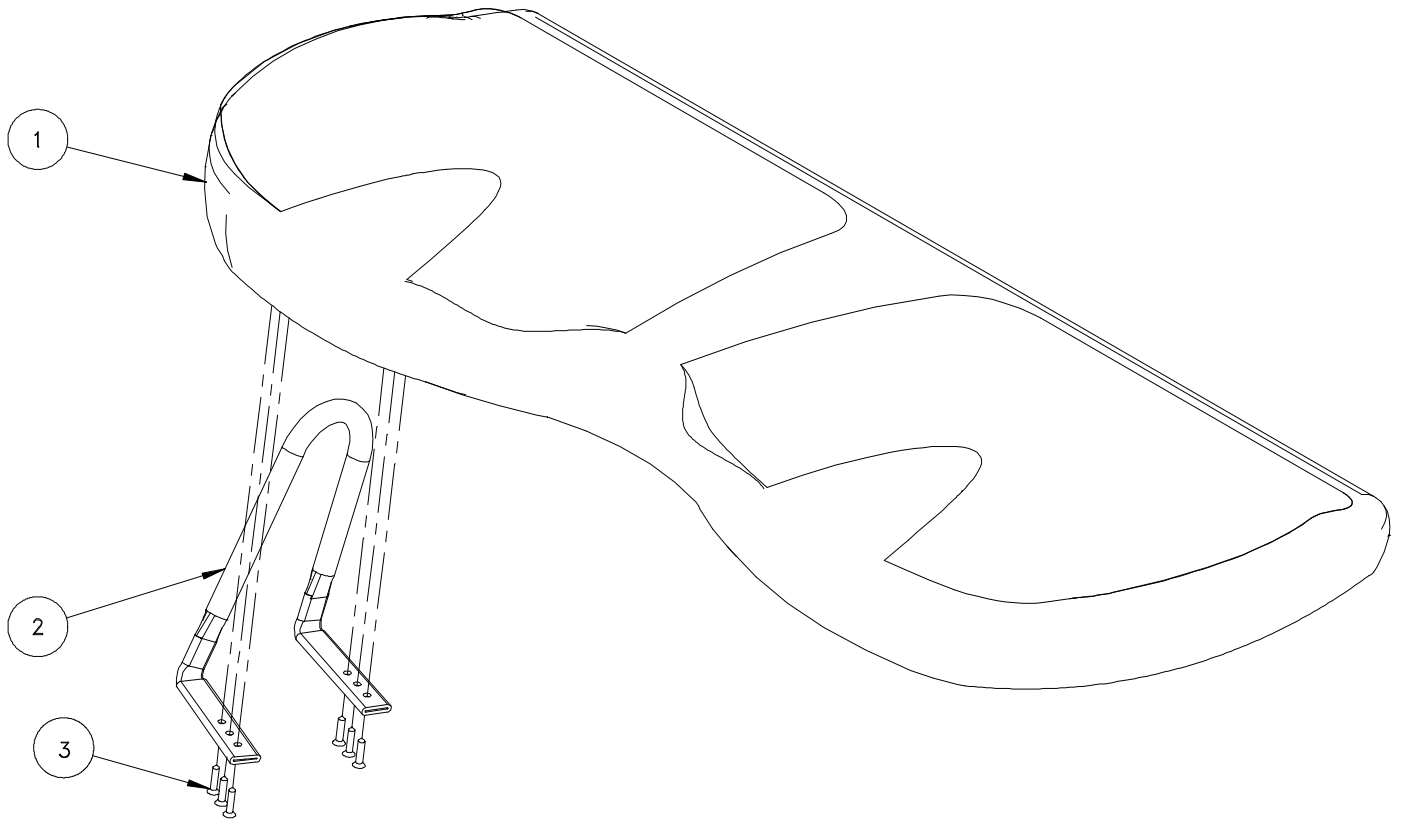
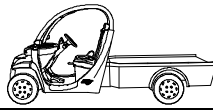


DET	QTY	PART NUMBER	DESCRIPTION
A	2	0524-00138	WASHER, SHOULDER NYL
B	2	0310-00505	BKT, HEAD LIGHT - SECONDARY
C	2	0106-00164	ASSY, LIGHT HEAD
D	1	0106-00290	ASSY, HARNESS - HEADLIGHT
E	2	0522-00139	BOLT, KNOB - 1/4 - 20 x1 3/4 STAINLESS
F	2	0610-00099	3/4" SQUARE CRADLE MOUNT NYL
G	5	0510-00137	TIE,CABLE W/#10 MOUNT HOLE 9"
H	1	0310-00459	STRAP, HOOD
J	2	0522-00180	BOLT, TORX TRUSS HEAD 3/8-16x1 T-45
K	2	0521-00010	NUT,HEX - NYLOCK -3/8 -16
L	1	0310-00508	HOOD STRAP HOLDER
M	2	0521-00014	NUT,KEPS -12-24 UNC
N	2	0523-00134	SCREW,MACHINE #12-24x1 HEX SLOT
O	1	0305-00492	HOOD
P	2	0106-00184	ASSY, LIGHT - BLINKER AMBER



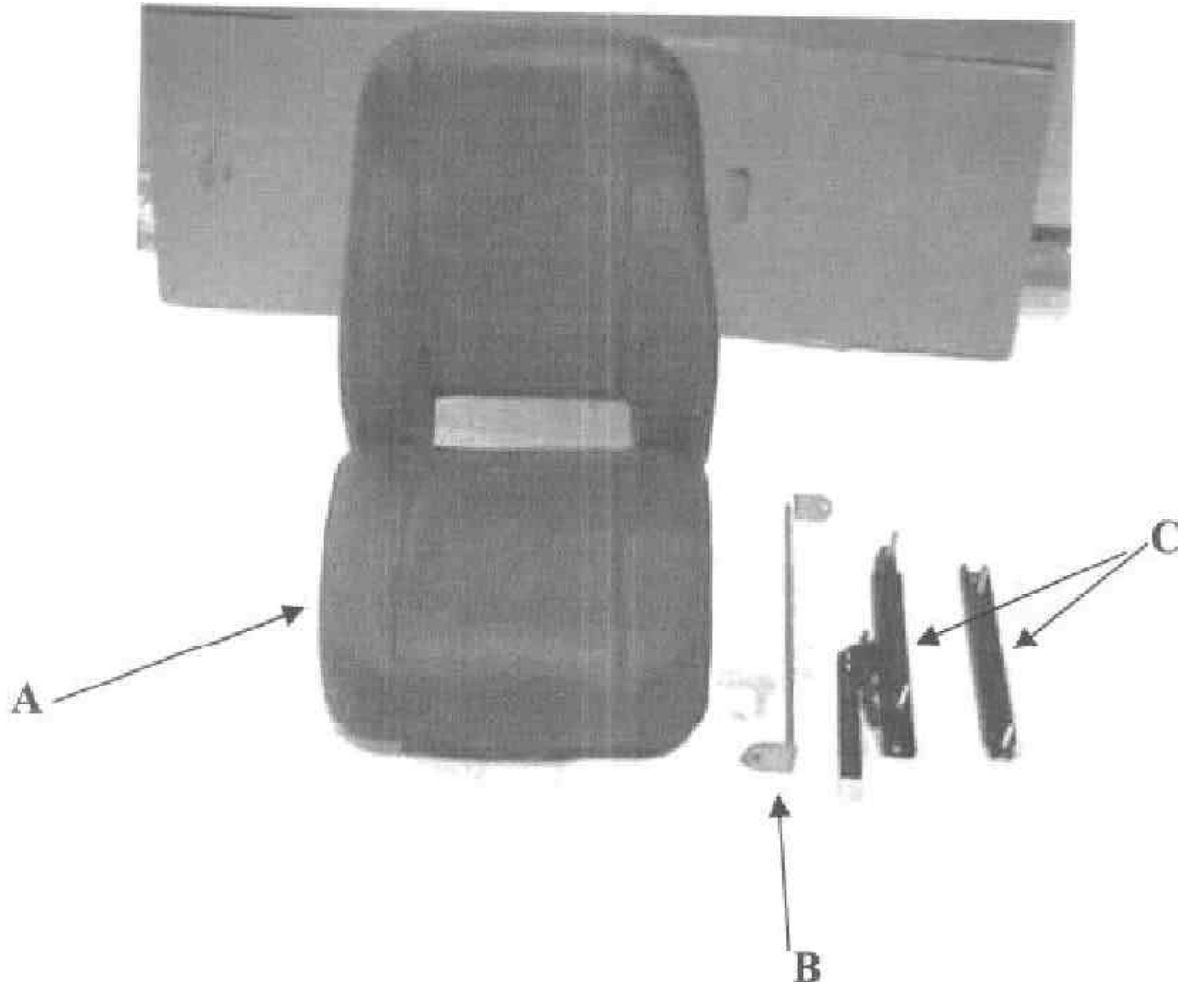
0105-00084 ASSY, SHOCK MOUNT COVER - REAR

<u>ITEM</u>	<u>PART NO.</u>	<u>DESCRIPTION</u>	<u>QTY.</u>
1	0305-00875	COVER, SHOCK MOUNT - REAR	1
2	0520-00073	RIVET, PUSH - TUFLOK BLACK PLASTIC FASTEX #M3.0800.16	4



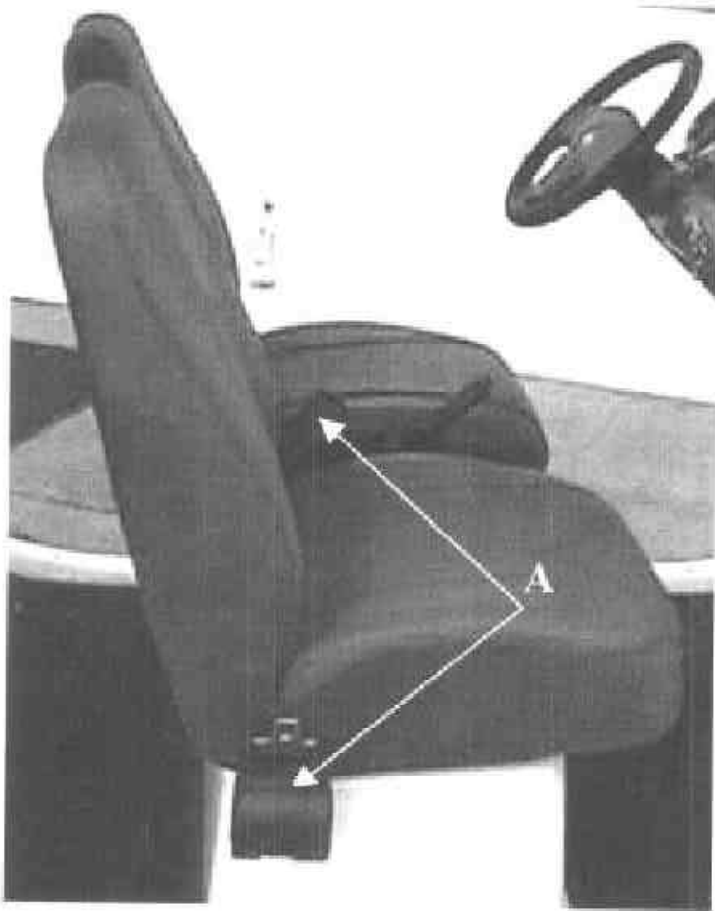
ASSY, SEAT BOTTOM 2-PASS (ROUGH RIDER OLD STYLE)

<u>ITEM</u>	<u>PART NO.</u>	<u>DESCRIPTION</u>	<u>QTY.</u>
1	0105-00088	ASSY, SEAT BASE - 4 PASS (ROUGH RIDER OLD STYLE)	1
2	0305-00388	BRACKET, SAFETY - RH SEAT	1
3	0523-00074	SCREW, T/S TYPE A - OVAL PHIL # 12 X 1 LG 18-8 SST	6



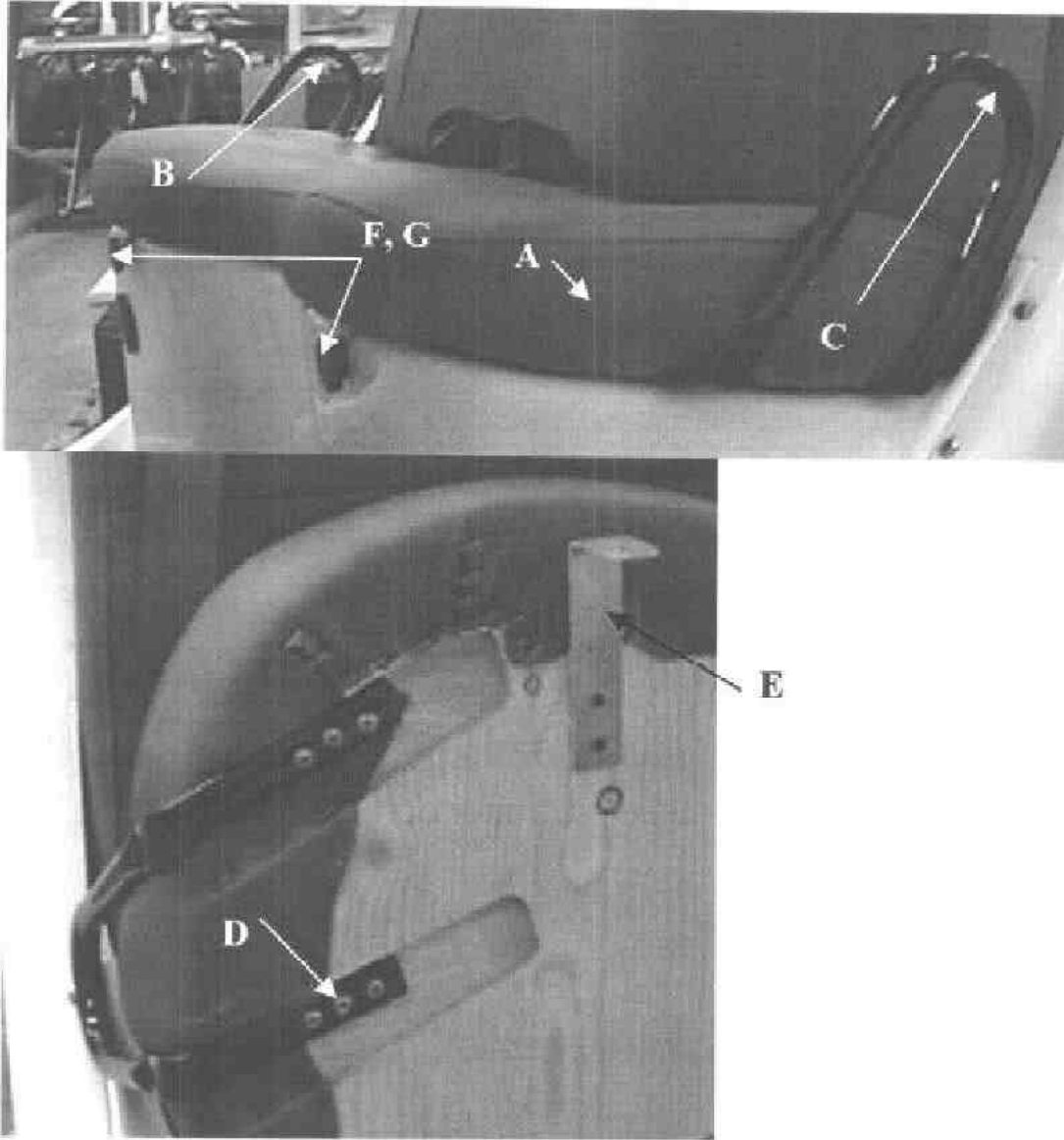
ASSY, BUCKET SEAT

DET	QTY	PART NUMBER	DESCRIPTION
A	1	0605-00078	BUCKET SEAT VINYL
A	1	0105-00074	BUCKET SEAT FABRIC
B	1	0310-00473	BRACKET, FOR SEAT BELT
C	1	0610-00185	BUCKET SEAT SLIDERS (SET)



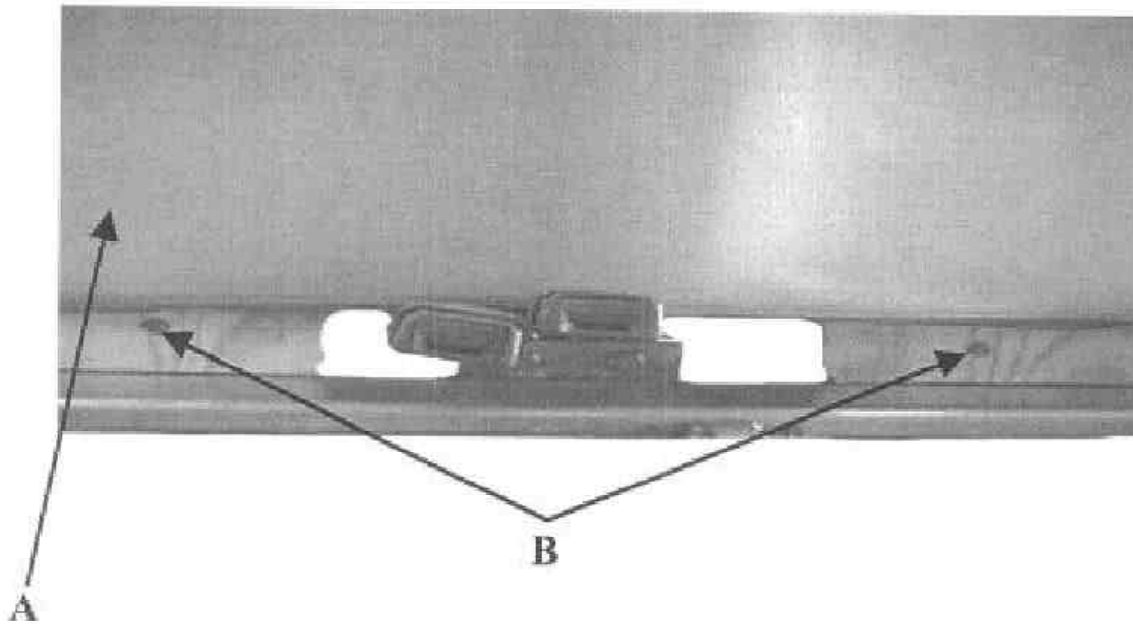
0105-00258 ASSY, SAFETY RESTRAINT BUCKET

DET	QTY	PART NUMBER	DESCRIPTION
A	2	0605-00130	KIT, SAFETY RESTRAINT - 2-POINT



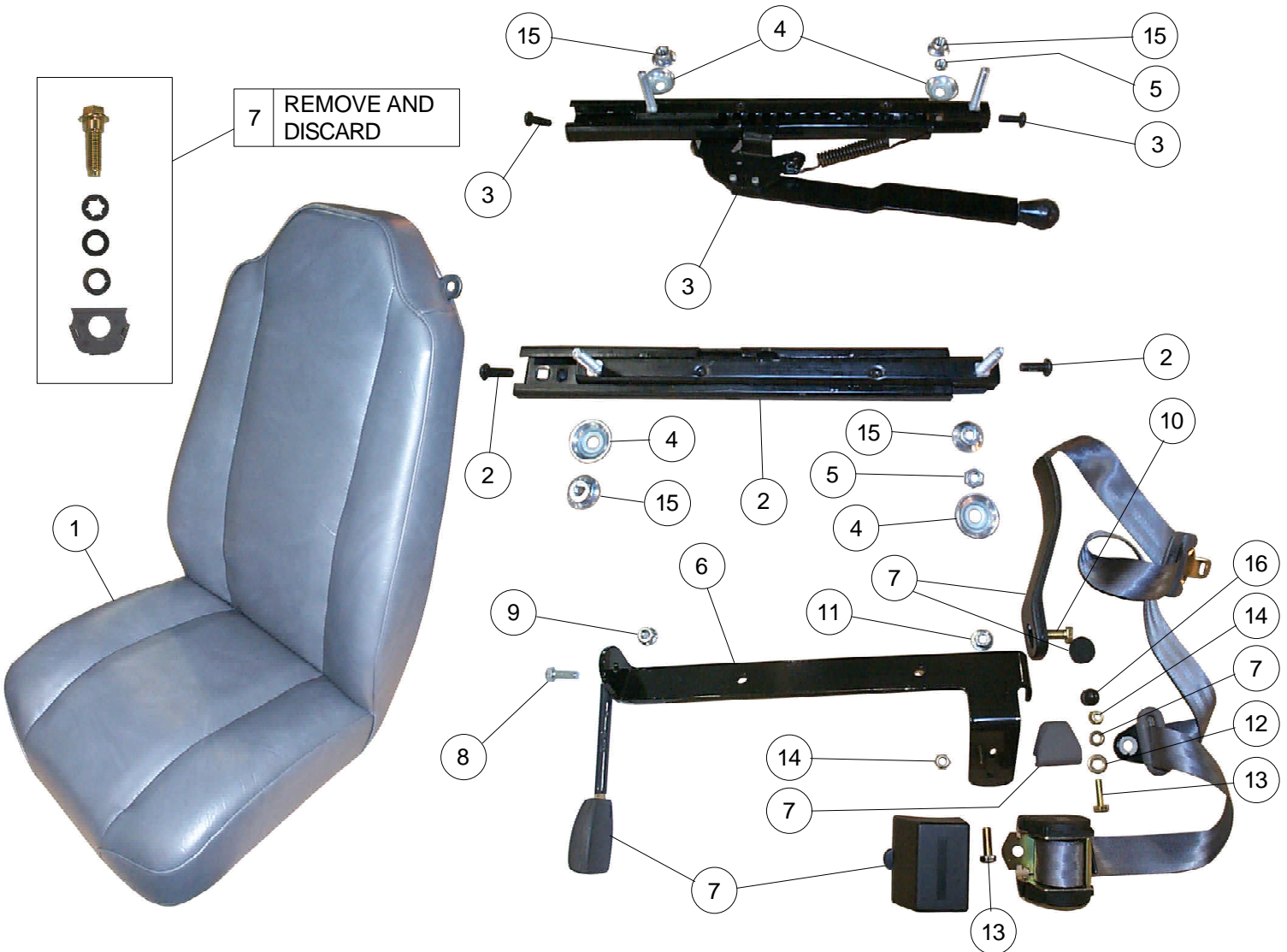
0105-00090 ASSY, SEAT BASE – 4 PASS VINYL

DET	QTY	PART NUMBER	DESCRIPTION
A	1	0105-00088	ASSY, SEAT BASE - 4 PASS
B	1	0305-00388	BRACKET, - RH SEAT
C	1	0305-00390	BRACKET - LH SEAT
D	12	0523-00074	SCREW, T/S PHIL OVAL #12x1 18-8 SST
E	2	0305-00389	BRACKET, HOLD DOWN - SEAT
F	2	0522-00140	BOLT, KNOB - 1/4-20x1
G	2	0521-00141	NUT, INSERT - 1/4-20



0105-00092 ASSY, SEAT BACK - VINYL

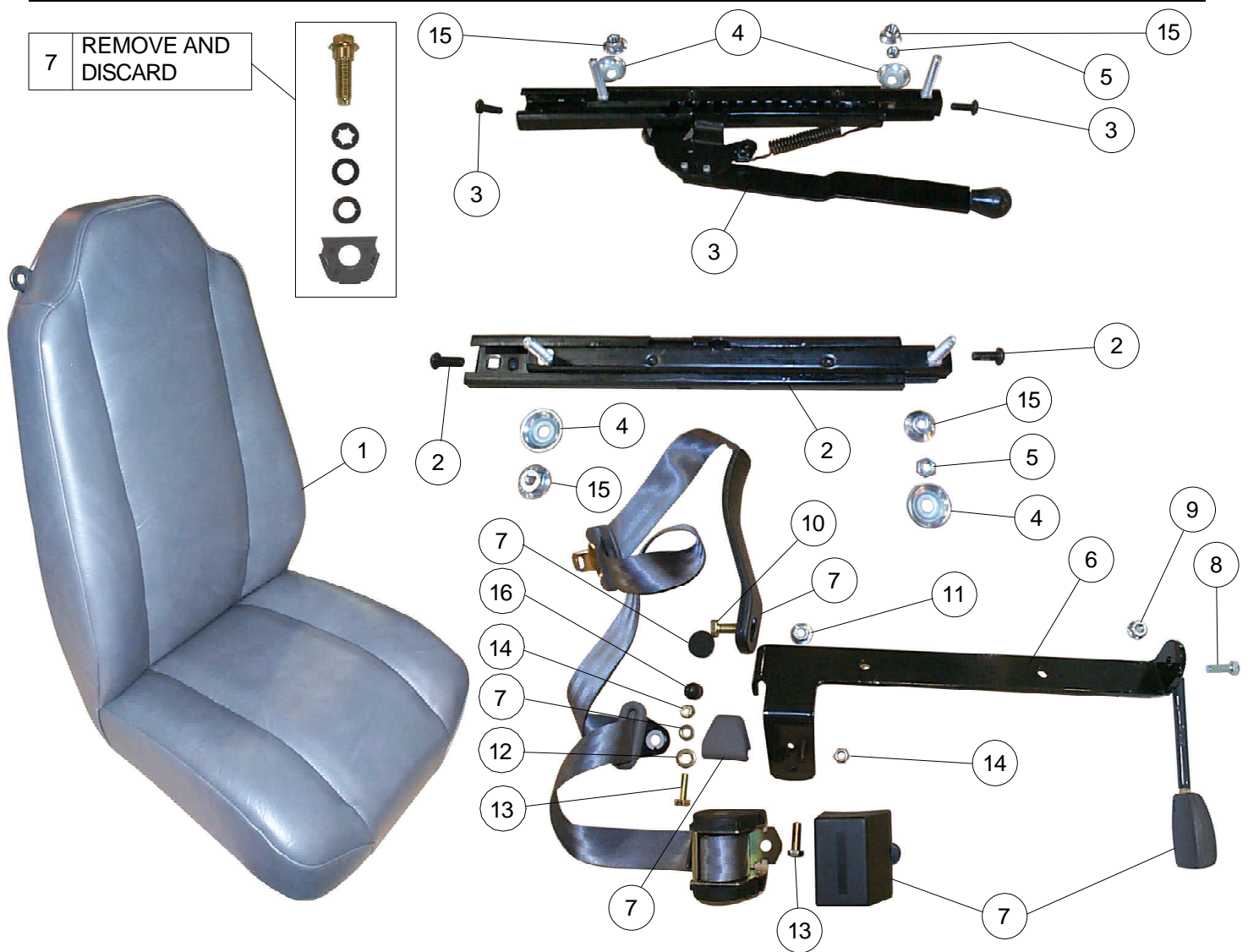
DET	QTY	PART NUMBER	DESCRIPTION
A	1	0105-00091	ASSY, SEAT BACK
B	2	0523-00122	SCREW, HEX SELF DRILL 1/4-14x1.5



0105-00969 ASSY, SEAT - LH FRONT (NEW RCO SEATS)

<u>ITEM</u>	<u>PART NO.</u>	<u>DESCRIPTION</u>	<u>QTY.</u>
1	0105-00656	ASSY, BUCKET SEAT - LEFT	1
2	0605-00357	SLIDE, SEAT- NO HANDLE WITH SCREWS	1
3	0605-00358	SLIDE, SEAT- WITH HANDLE WITH SCREWS	1
4	0524-00310	WASHER, BELL - 5/16	4
5	0521-00031	NUT, HEX - 5/16 - 18 UNC GRADE 5 ZINC PL	2
6	0305-00873	BRACKET, SEAT BELT - LH	1
7	0605-00291	KIT, SAFETY RESTRAINT - 3 POINT FRONT	1
8	0522-00252	BOLT, HEX - 7/16 - 14 UNC X 1.0 GRADE 5	1
9	0521-00129	NUT, HEX FLANGE - TECH LOCK 7/16 - 14 UN	1
10	0522-00021	BOLT, HEX - 1/2 - 13 UNC X 1.0 GRADE 8 Z	1
11	0521-00024	NUT, HEX FLANGE - TECH LOCK 1/2 - 13 UNC	1
12	0524-00115	WASHER, FLAT - M12 13mm ID x 24mm OD x 2	3
13	*0522-00321	BOLT, HEX - 7/16 - 14 UNC X 1.25 GRD 5	2
14	0521-00322	NUT, HEX - NYLOCK - 7/16 - 20 UNC GR 8	2
15	0521-00203	NUT, HEX - FLANGE TECH LOCK 5/16 - 18 ZI	4
16	0310-01167	COVER, COSMETIC NUT - 5/8"	1

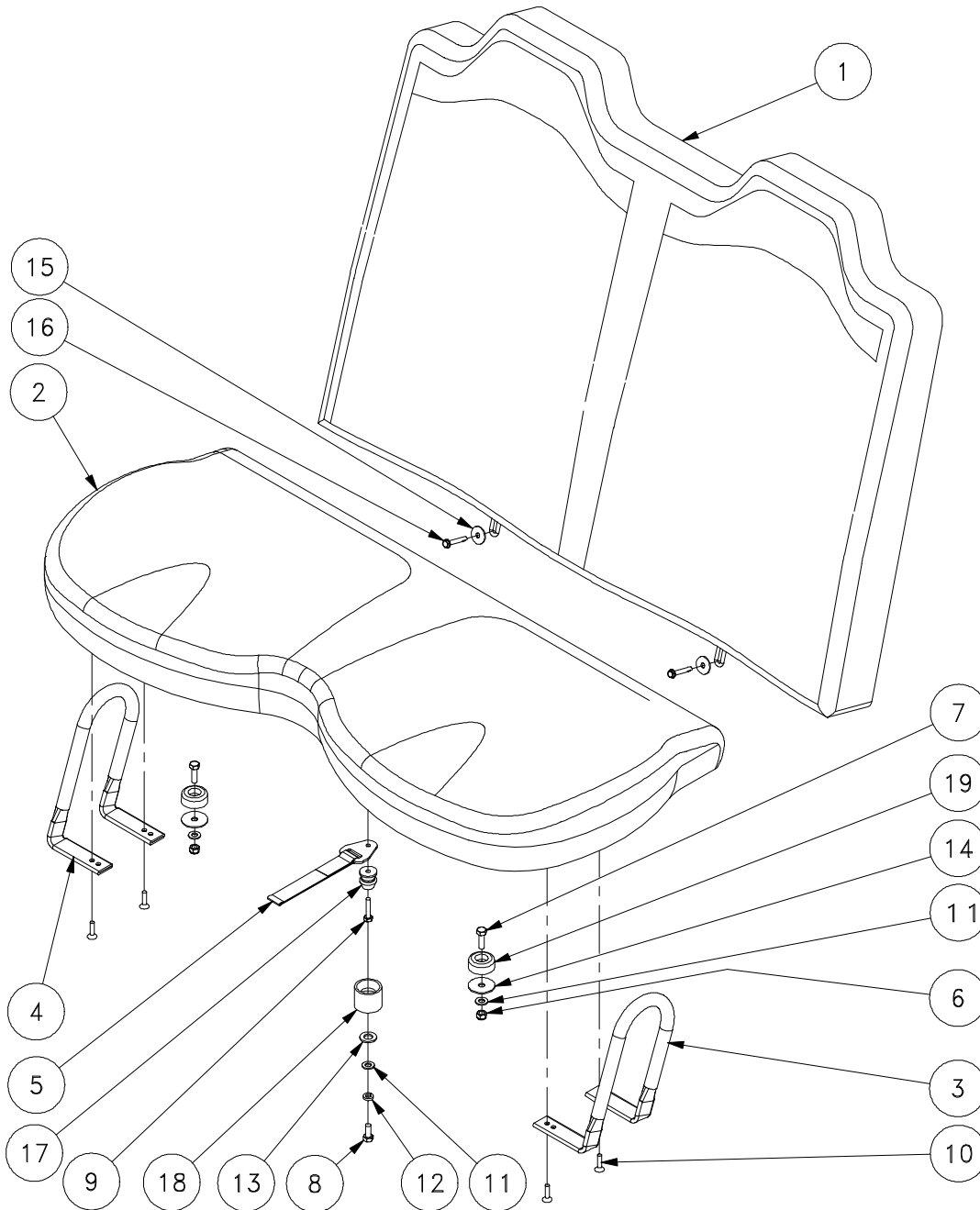
* STARRED PARTS ARE NOT AVAILABLE SEPARATELY



0105-00968 ASSY, SEAT - RH FRONT (NEW RCO SEATS)

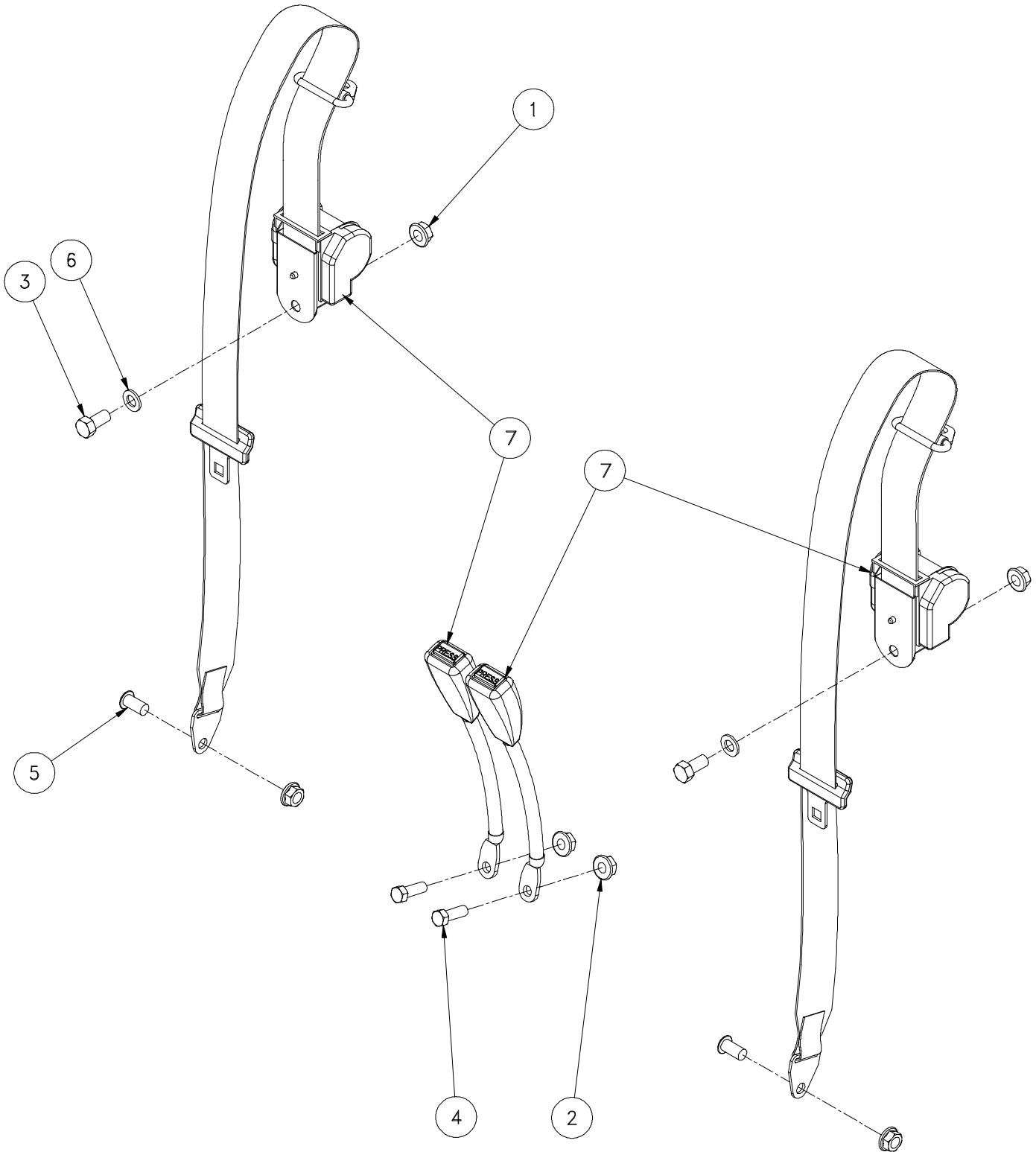
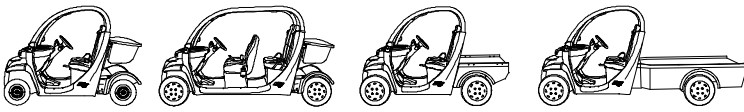
<u>ITEM</u>	<u>PART NO.</u>	<u>DESCRIPTION</u>	<u>QTY.</u>
1	0105-00657	ASSY, BUCKET SEAT - RIGHT	1
2	0605-00357	SLIDE, SEAT- NO HANDLE WITH SCREWS	1
3	0605-00358	SLIDE, SEAT- WITH HANDLE WITH SCREWS	1
4	0524-00310	WASHER, BELL - 5/16	4
5	0521-00031	NUT, HEX - 5/16 - 18 UNC GRADE 5 ZINC PL	2
6	0305-00874	BRACKET, SEAT BELT - RH	1
7	0605-00291	KIT, SAFETY RESTRAINT - 3 POINT FRONT	1
8	0522-00252	BOLT, HEX - 7/16 - 14 UNC X 1.0 GRADE 5	1
9	0521-00129	NUT, HEX FLANGE - TECH LOCK 7/16 - 14 UN	1
10	0522-00021	BOLT, HEX - 1/2 - 13 UNC X 1.0 GRADE 8 Z	1
11	0521-00024	NUT, HEX FLANGE - TECH LOCK 1/2 - 13 UNC	1
12	0524-00115	WASHER, FLAT - M12 13mm ID x 24mm OD x 2	3
13	0522-00321	BOLT, HEX - 7/16 - 14 UNC X 1.25 GRD 5	2
14	0521-00322	NUT, HEX - NYLOCK - 7/16 - 20 UNC GR 8	2
15	0521-00203	NUT, HEX - FLANGE TECH LOCK 5/16 - 18 ZI	4
16	0310-01167	COVER, COSMETIC NUT - 5/8"	1

* STARRED PARTS ARE NOT AVAILABLE SEPARATELY



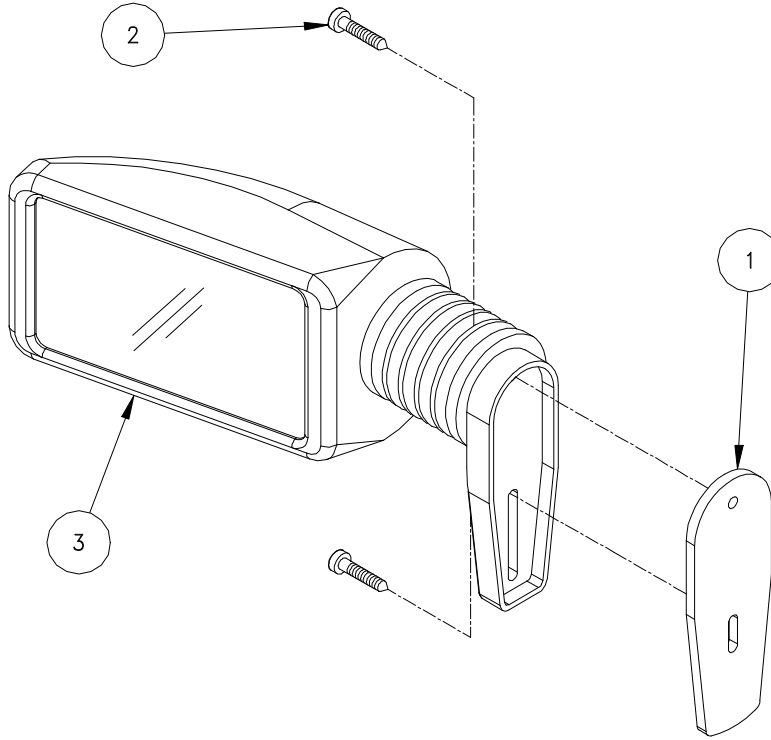
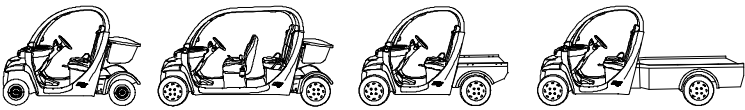
ASSY, SEAT - REAR (NEW RCO SEATS)

ITEM	PART NO.	DESCRIPTION	QTY.
1	0105-00653	ASSY, SEAT BACK - BENCH	1
2	0105-00654	ASSY, BENCH SEAT - CUSHION	1
3	0305-00926	BRACKET, SAFETY - LH SEAT	1
4	0305-00927	BRACKET, SAFETY - RH SEAT	1
5	0310-00966	STRAP, SEAT BOTTOM RELEASE	1
6	0521-00017	NUT, HEX - NYLOCK 5/16-18 UNC GR5 ZN	2
7	0522-00016	BOLT, HEX - HHCS 5/16 - 18 UNC X 1.0 GR 5 ZINC PLATED	2
8	0522-00144	BOLT, HEX - HHCS 5/16 - 18 UNC X .75 GR 5 ZINC PLATED	1
9	0522-00238	BOLT, HEX HD 1/4-20 UNC X 1.25 GR 5 ZINC PLATED	1
10	0523-00273	SCREW, PHIL FLAT FT THRD ROL TT - 1/4 -	4
11	0524-00003	WASHER, FLAT - 5/16 SAE .344 ID X .688 OD X .065 THK ZN	3
12	0524-00081	WASHER, LOCK - 5/16 ZINC PLATED -	1
13	0524-00115	WASHER, FLAT - M12 13mm ID X 24mm OD X 2.5mm THK	1
14	0524-00167	WASHER, FLAT - 5/16 X 1.5 OD ZINC PLATED	2
15	0524-00315	WASHER, FENDER - .25 ID x 1.0 OD generic ZN	2
16	0523-00122	SCREW, HEX - WHSD 1/4 X 1.5 ZINC PLATED	2
17	0605-00236	STEM, SEAT HOLD DOWN	1
18	0605-00237	SOCKET, SEAT HOLD DOWN	1
19	0610-00299	BUMPER, SEAT BASE/BACK	2



ASSY, SAFETY RESTRAINT - BENCH (NEW STYLE USED WITH RCO SEATS)

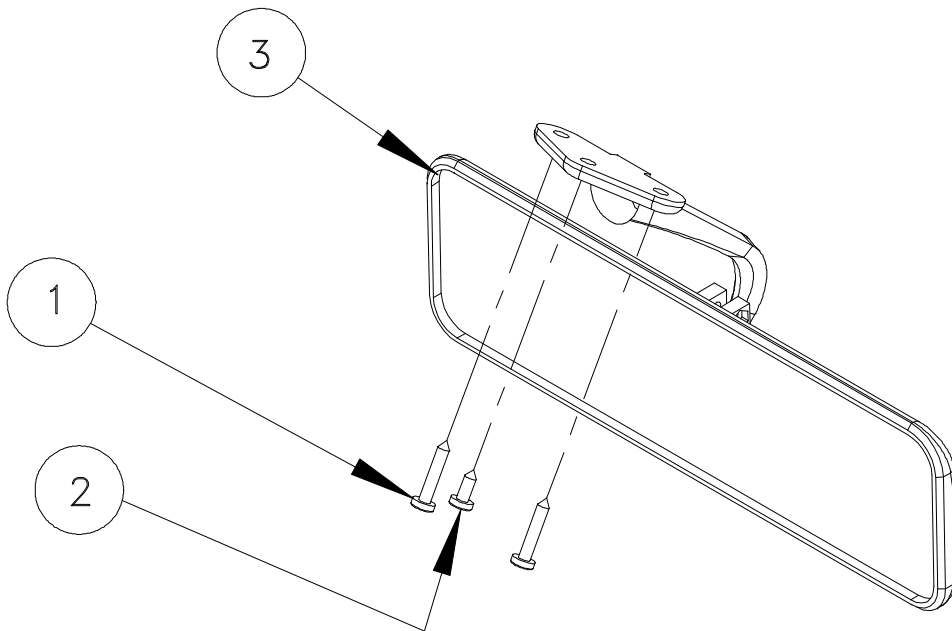
ITEM	PART NO.	DESCRIPTION	QTY.
1	0521-00024	NUT, HEX FLANGE 1/2-13 UNC GR 6 TECH LOCK	4
2	0521-00129	NUT, HEX FLANGE 7/16-14 UNC GR 5 ZN TECH LOCK	2
3	0522-00021	BOLT, HEX - HHCS 1/2 - 13 UNC X 1.0 GR 8 ZN YL ZINC PLATED	2
4	0522-00164	BOLT, HEX 7/16 - 14 UNC X 1.25 GR 8 ZINC PLATED	2
5	0522-00229	BOLT, TORX HEAD 1/2 - 13 X 1" GR 8 ZN PL	2
6	0524-00115	WASHER, FLAT - M12 13mm ID X 24mm OD X 2.5mm THK	2
7	0605-00296	KIT, SAFETY RESTRAINT - 3 POINT (NEW STYLE USED WITH RCO SEATS)	2



0110-00588 ASSY, MIRROR - SIDE

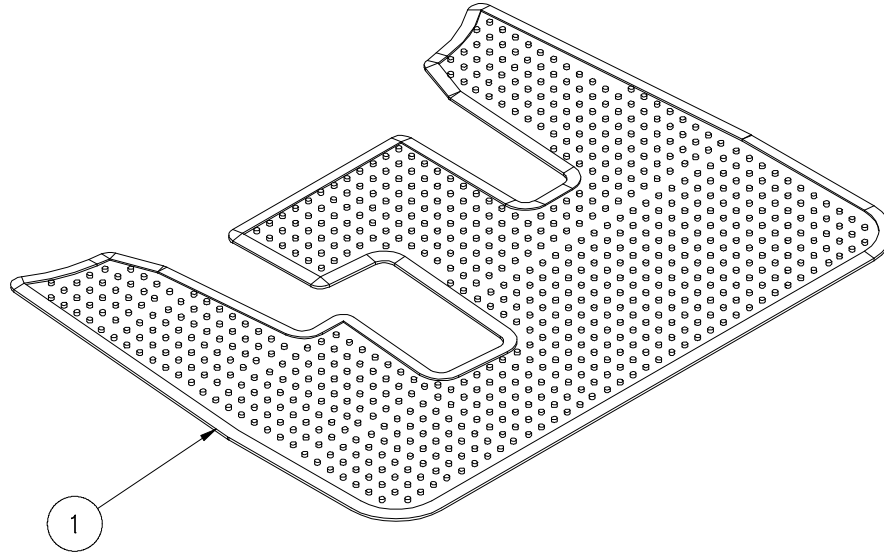
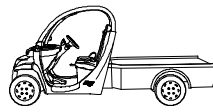
<u>ITEM</u>	<u>PART NO.</u>	<u>DESCRIPTION</u>	<u>QTY.</u>
1	0310-00856	GASKET, SIDE MIRROR	1
2	0523-00208	SCREW, PHIL PAN HEAD- #10 X 1.0 LG STL 18-8 SELF THREADING -	2
3	0610-00243	MIRROR, SIDE (MIRROR IS INTERCHANGABLE FOR LEFT AND RIGHT)	1

NOTE: MIRROR ASSEMBLY IS USED FOR LEFT AND RIGHT SIDE



ASSY, REAR-VIEW MIRROR ASSEMBLY

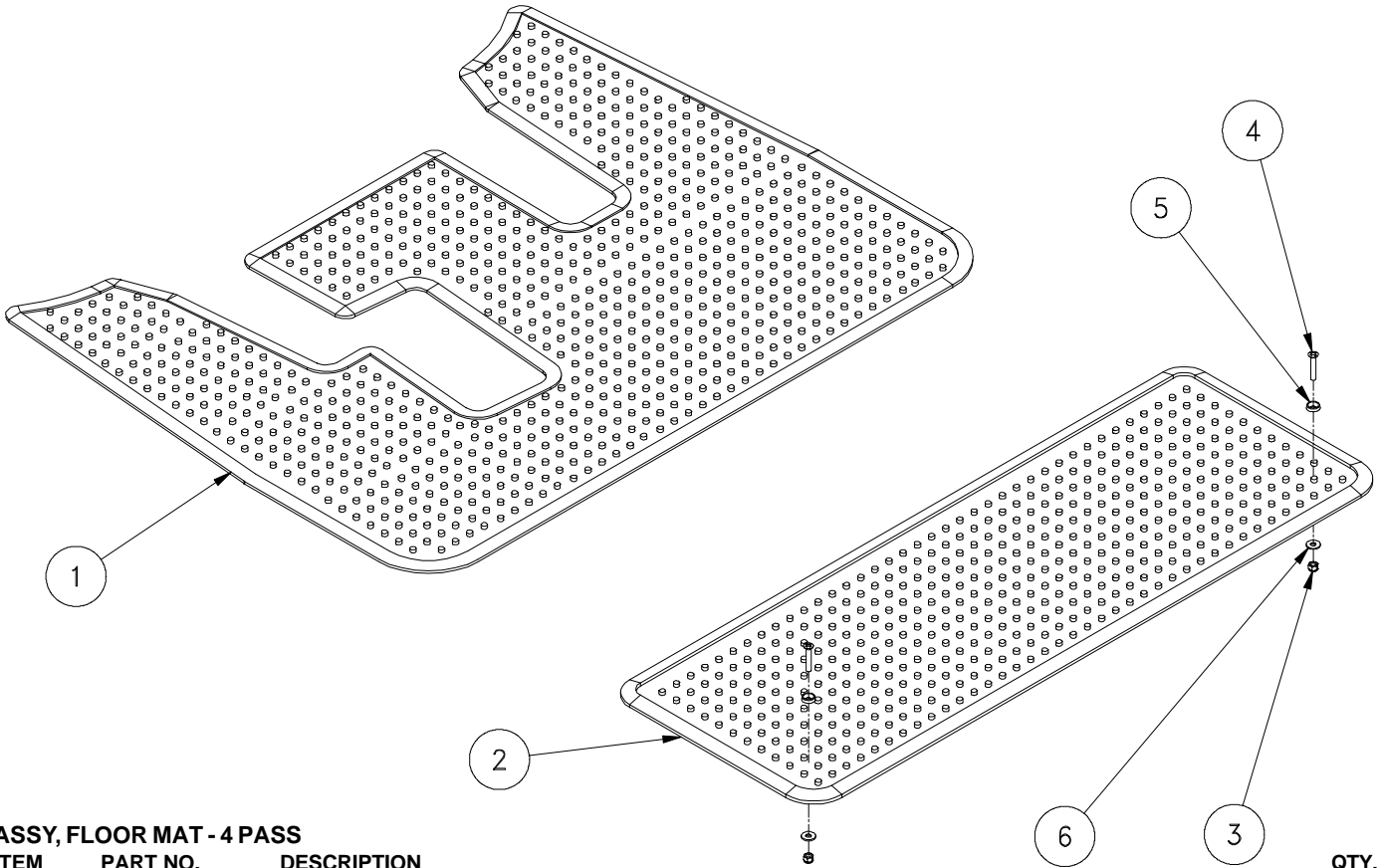
<u>ITEM</u>	<u>PART NO.</u>	<u>DESCRIPTION</u>	<u>QTY.</u>
1	0523-00064	SCREW, PHIL PAN HEAD- #6 X 3/4 LG BLACK SELF THREADING	2
2	0523-00066	SCREW, PHIL PAN HEAD - #6 X 3/8 BLACK SELF THREADING	1
3	0610-00023	MIRROR, REARVIEW - SCREW ON MODEL	1



ASSY, FLOOR MAT - 2 PASS

<u>ITEM</u>	<u>PART NO.</u>	<u>DESCRIPTION</u>
1	0318-00229	MAT, FLOOR - FRONT

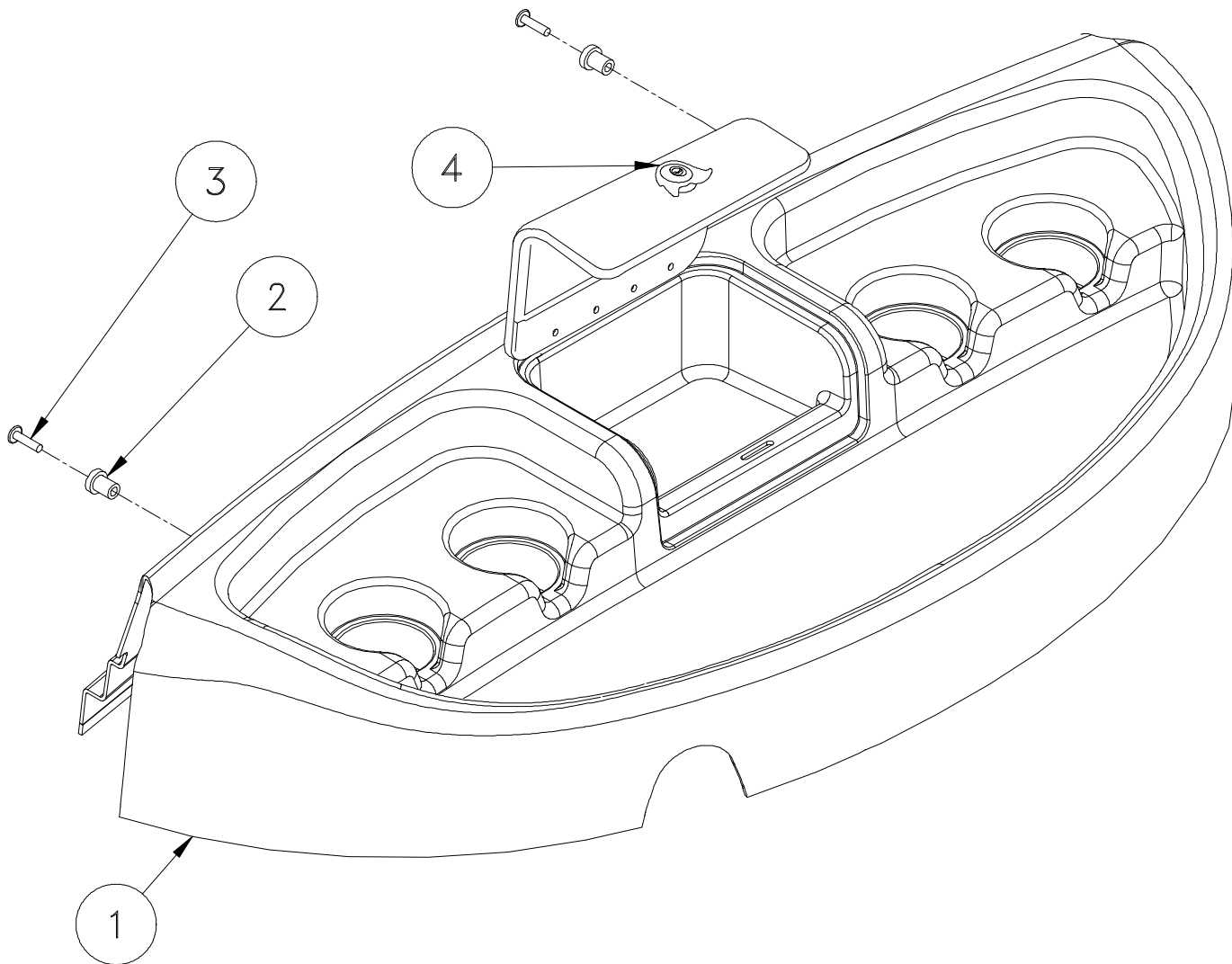
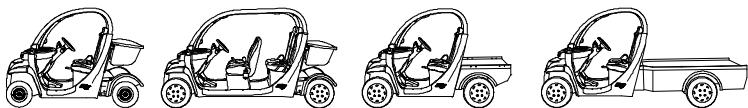
QTY.
1



ASSY, FLOOR MAT - 4 PASS

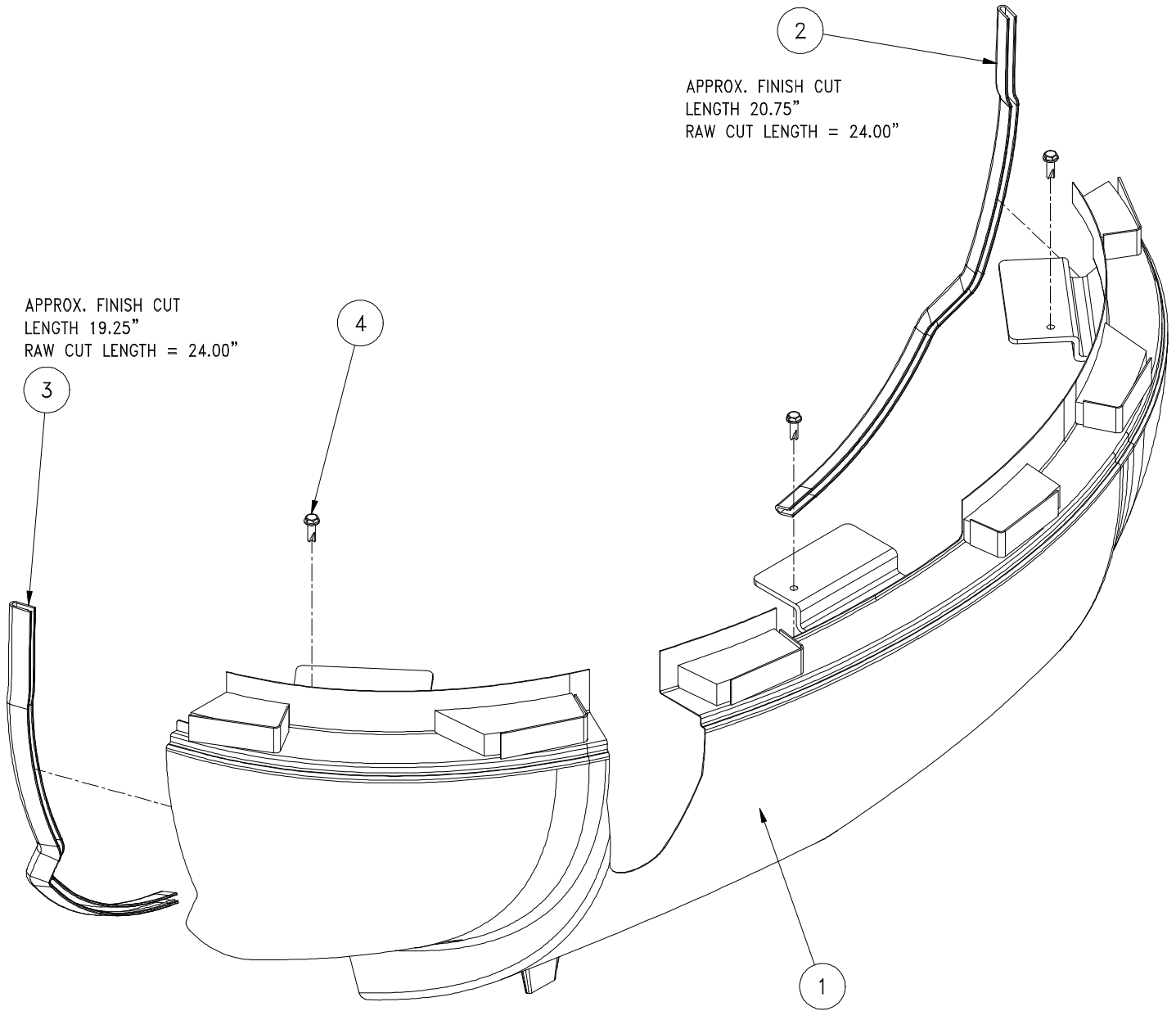
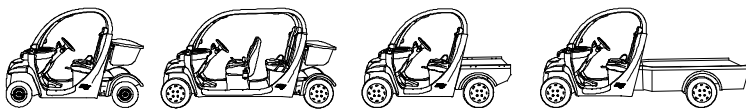
<u>ITEM</u>	<u>PART NO.</u>	<u>DESCRIPTION</u>
1	0318-00229	MAT, FLOOR - FRONT
2	0318-00230	MAT, FLOOR - REAR
3	0521-00050	NUT, HEX - NYLOCK 1/4-20 UNC GR5 ZN
4	0523-00052	SCREW, MACH - OVAL PHIL 1/4 - 20 UNC X 1.5 LG ZINC PLATED
5	0524-00054	WASHER, COUNTER SINK 1/4 INCH
6	0524-00062	WASHER, FLAT - 1/4 .282 ID X .715 OD X .063 THK ZN

QTY.
1
1
2
2
2
2



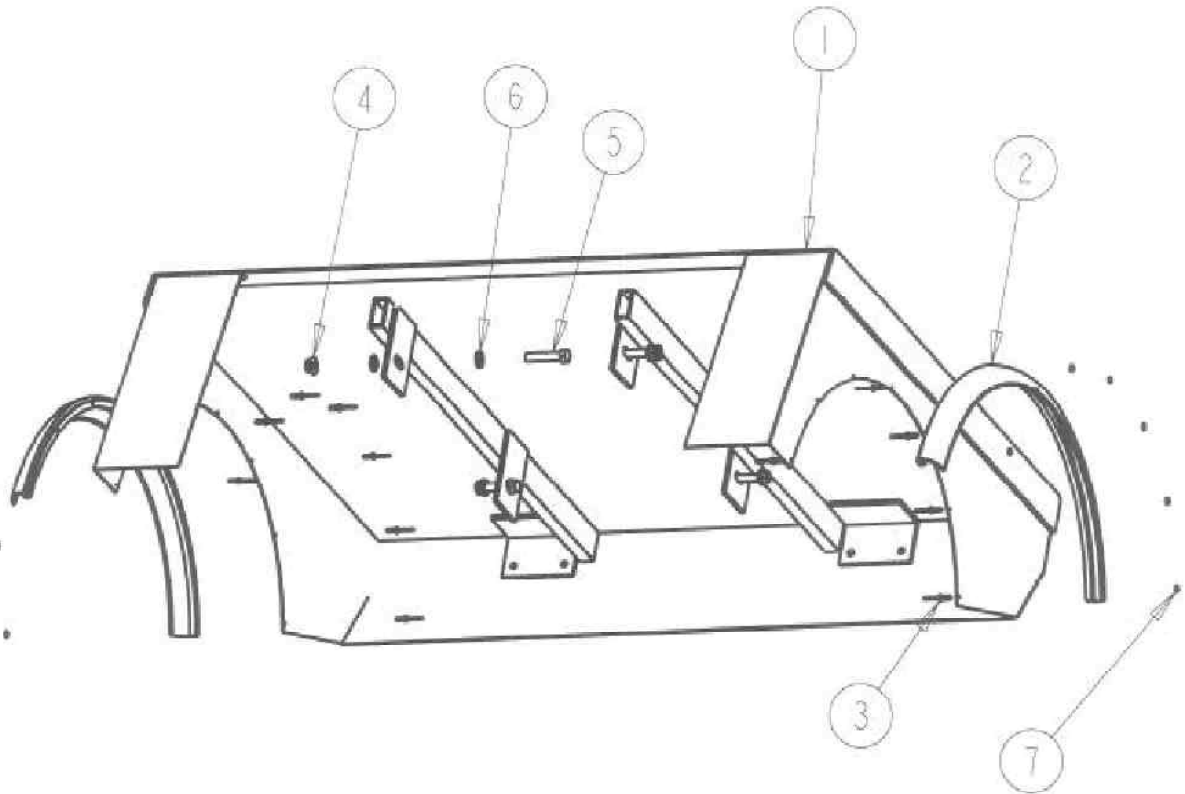
0105-00114 ASSY, UPPER DASH

<u>ITEM</u>	<u>PART NO.</u>	<u>DESCRIPTION</u>	<u>QTY.</u>
1	0105-00070	ASSY, DASH - UPPER	1
2	0521-00092	NUT, WELL - 1/4 - 20 UNC - 5/8"	2
3	0523-00280	SCREW, MACH - TRS HD PHL 1/4-20 UNC X 1	2
4	0610-00365	LOCK, GLOVE BOX	1



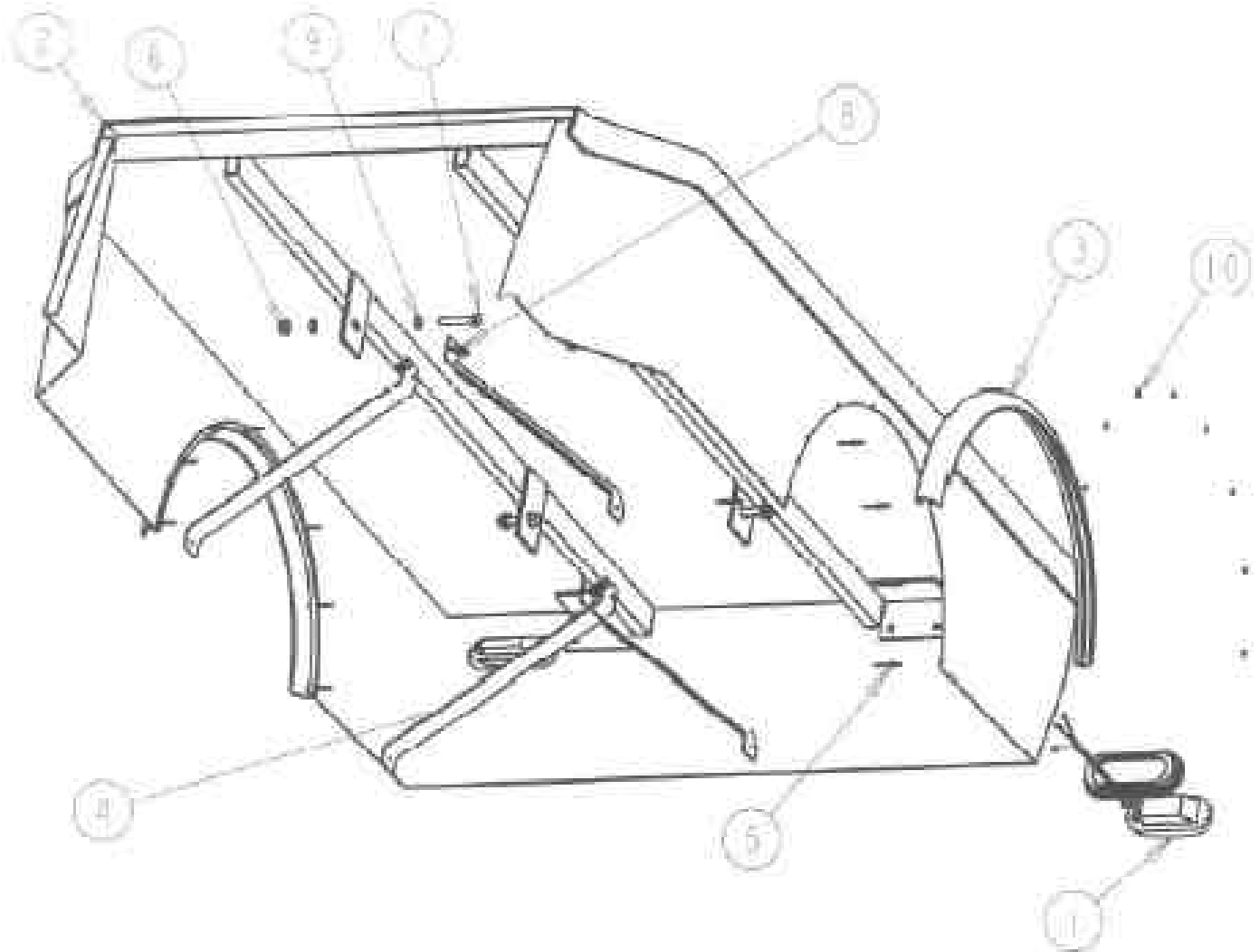
ASSY, LOWER DASH LOWER W/TRIM

<u>ITEM</u>	<u>PART NO.</u>	<u>DESCRIPTION</u>	<u>QTY.</u>
1	0105-00529	ASSY, DASH - LOWER	1
2	0417-00089	TRIM, LOWER DASH - RH (Formerly 0305-00515)	1
3	0417-00089	TRIM, LOWER DASH - LH (Formerly 0305-00516)	1
4	0523-00032	SCREW, HEX - WHSD 1/4 X .75 ZN	3



0105-00118 | A | ASSY, BED - SM UTILITY

ITEM	PART NO.	DESCRIPTION	QTY.
1	0205-00068	WLD, BED - SM UTILITY	1
2	0305-00470	TRIM, FENDER WELL - RUBBER	2
3	0520-00093	RIVET, POP - ALUMINUM 3/16 X .50 GRIP .375 DOME HEAD	14
4	0521-00024	NUT, HEX FLANGE - TECK LOCK - 1/2 - 13 UNC GR 6	4
5	0522-00059	BOLT, HEX - 1/2 - 13 UNC X 2.50 GR 8	4
6	0524-00058	WASHER, FLAT - 1/2	8
7	0524-00094	WASHER, FLAT - 3/16 HIGH TOLERANCE	14



ITEM	PART NO.	DESCRIPTION	QTY.
1	0106-00202	ASSY. LIGHT, TAIL - SEALS - UTIL. VEH.	2
2	0205-00085	R/O, HD - LG UTILITY	1
3	0305-00453	TRIM, FRONT WHEEL - RUBBER	2
4	0305-00711	SUPPORT, SIDE SHEET - LG UTILITY	4
5	0320-00083	RIVET, POP - ALUMINUM 3/16 X .50 GRIP 3PS BONEHEAD	6
6	0021-00034	NUT, HEX FLANGE - TECH LOCK 1/2 - 13 UNC GR 9	4
7	0522-00058	BOLT, HEX - 1/2 - 3 UNC 8 F 50 GR 8	4
8	0523-00030	SCREW, HEX - WASHER HEAD SELF DRILL, TRAIL - 15 ZINC PLATED	8
9	0524-00058	WASHER, FLAT - 1/2	8
10	0524-00034	WASHER, FLAT - 3/16 HIGH TOLERANCE	8

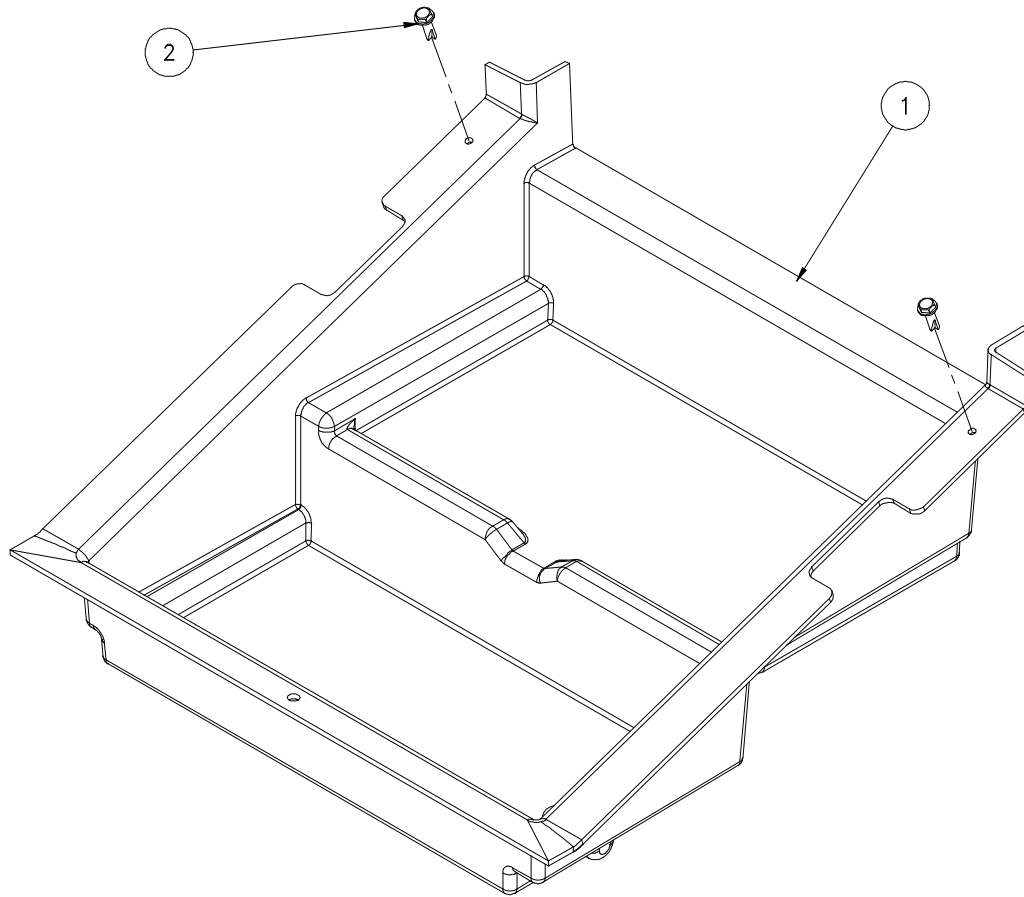
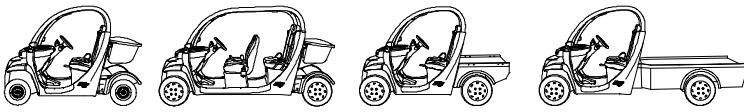


Global Electric Motorcars, LLC

A DaimlerChrysler Company

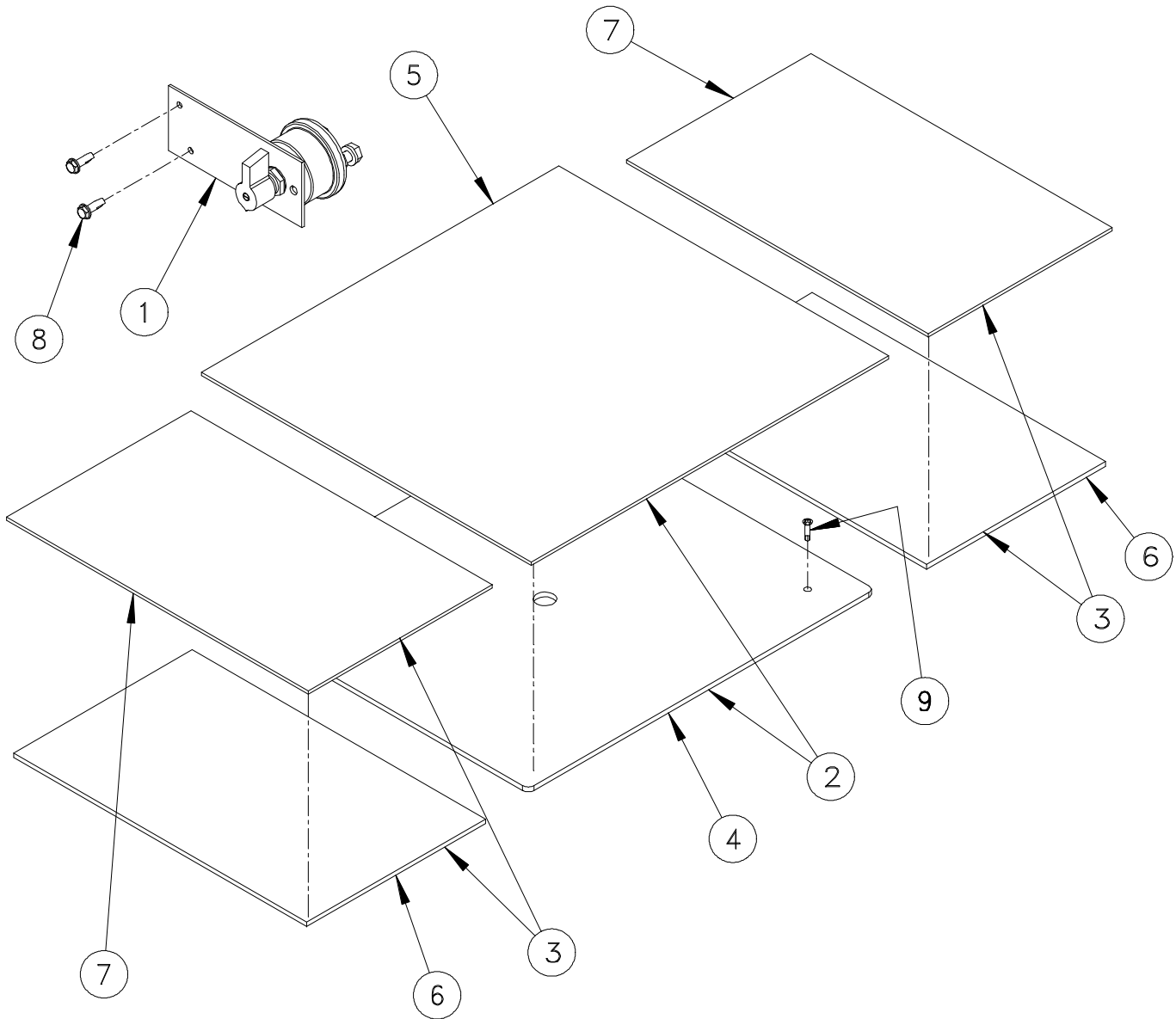
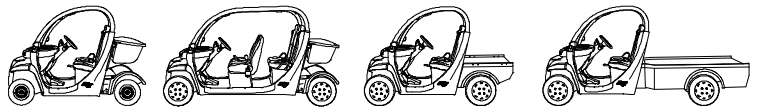
Parts Catalog

SECTION 7 - MISCELLANEOUS



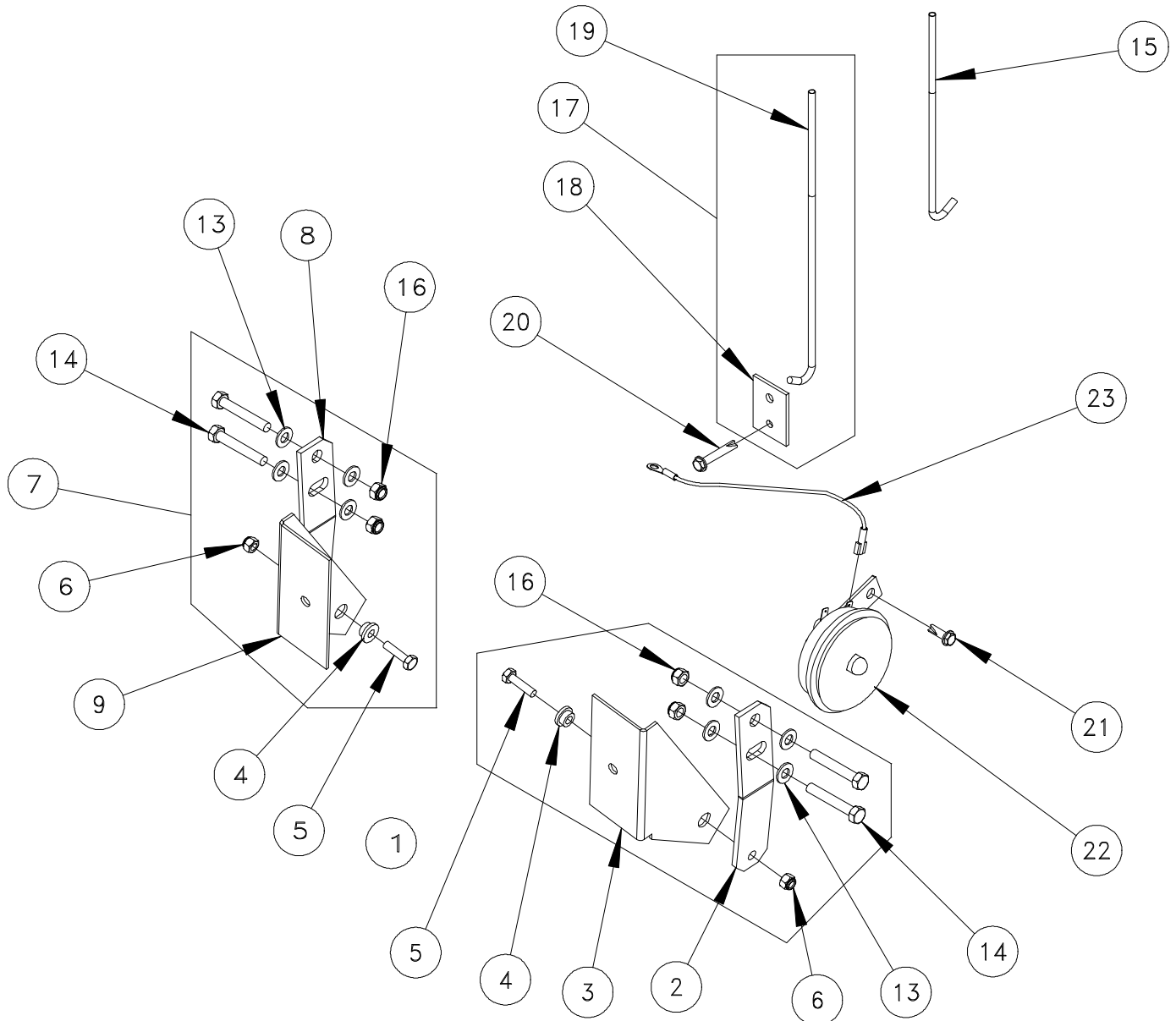
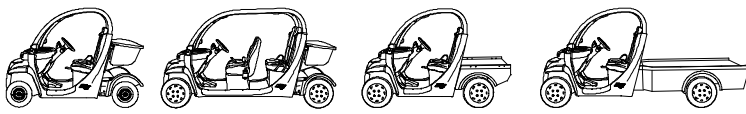
ASSY, BATTERY TRAY

<u>ITEM</u>	<u>PART NO.</u>	<u>DESCRIPTION</u>	<u>QTY.</u>
1	0310-00308	TRAY, BATTERY - FRONT	1
2	0523-00032	SCREW, HEX - WHSD 1/4 X .75 ZN	2



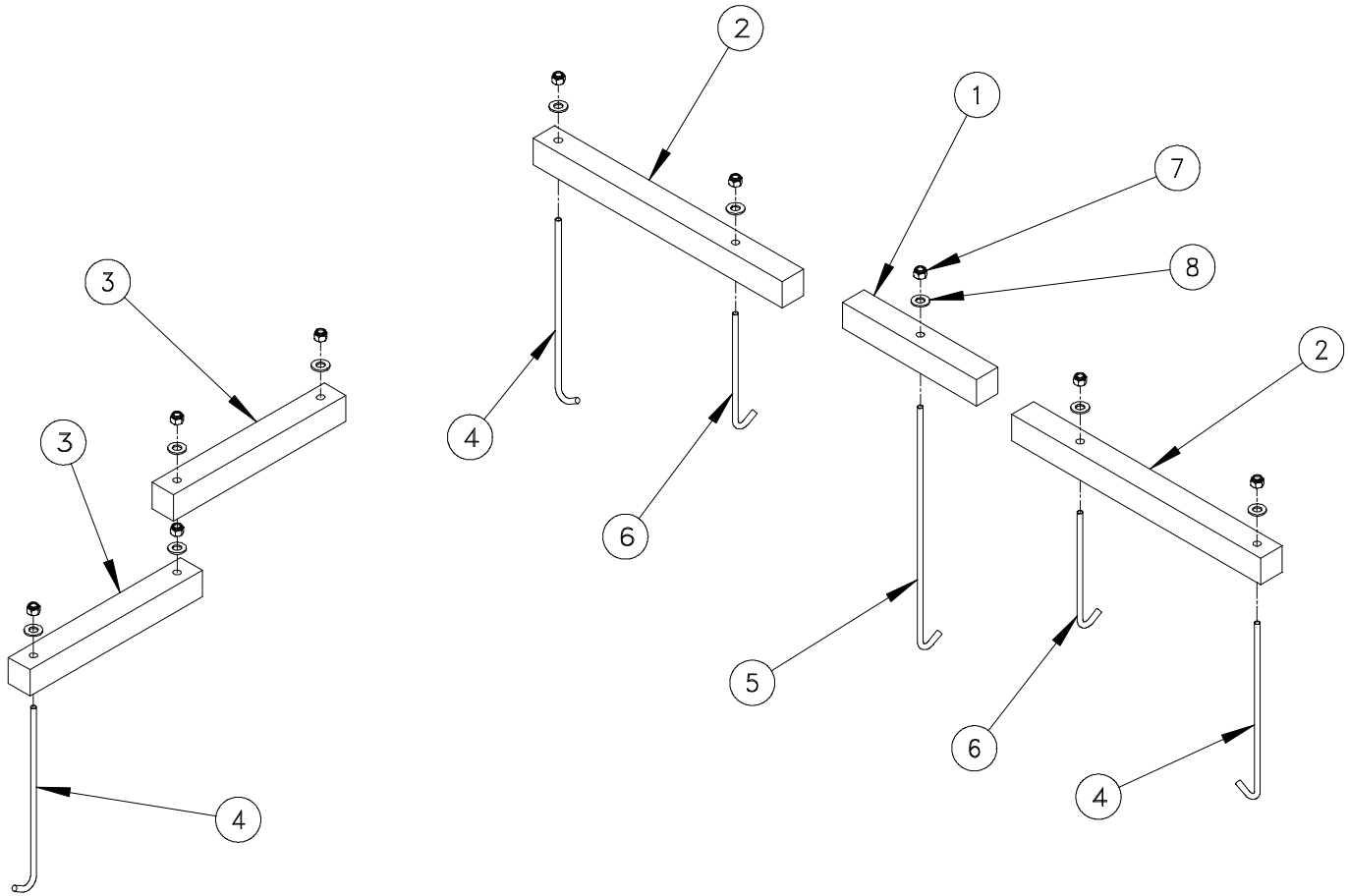
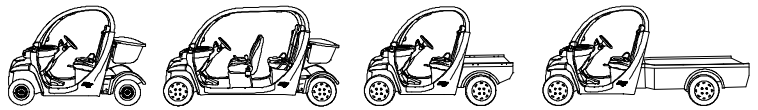
ASSY, BATTERY TRAY MATS - MASTER DISCONNECT SWITCH

<u>ITEM</u>	<u>PART NO.</u>	<u>DESCRIPTION</u>	<u>QTY.</u>
1	0106-00138	ASSY, MASTER DISCONNECT	1
2	0110-00077	ASSY, BATTERY TRAY - REAR MID	1
3	0110-00079	ASSY, BATTERY TRAY - REAR RH	2
4	0310-00347	BASE, BATTERY TRAY - REAR MID	1
5	0310-00348	MAT, BATTERY TRAY - REAR MID	1
6	0310-00349	BASE, BATTERY TRAY - REAR SIDE	2
7	0310-00350	MAT, BATTERY TRAY - REAR SIDE	2
8	0523-00032	SCREW, HEX - WHSD 1/4 X .75 ZN	2
9	0523-00105	SCREW, SELF DRILL - #8-18 X 3/4	2



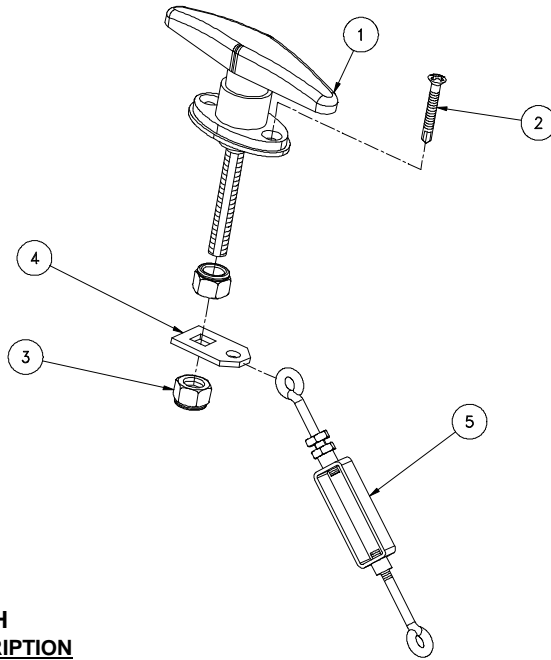
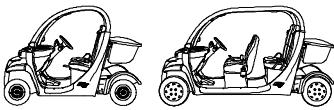
ASSY, HOOD HINGES - BATTERY HOLD DOWNS - HORN

<u>ITEM</u>	<u>PART NO.</u>	<u>DESCRIPTION</u>	<u>QTY.</u>
1	0105-00593	ASSY, HOOD HINGE LH	1
2	0305-00722	BAR, MNT - HOOD HINGE	1
3	0305-00422	BRACE, HOOD HINGE - LH	1
4	0524-00083	WASHER, SHOULDER - NAT NYLON 1/4 INCH	1
5	0522-00056	BOLT, HEX - HHCS 1/4 - 20 UNC X 1.0 GR 8 ZN YL ZINC PLATED	1
6	0521-00050	NUT, HEX - NYLOCK - 1/4-20 UNC GR5 ZINC PLATED ZINC PLATED	1
7	0105-00592	ASSY, HOOD HINGE RH	1
8	0305-00722	BAR, MNT - HOOD HINGE	1
9	0305-00421	BRACE, HOOD HINGE - RH	1
10	0524-00083	WASHER, SHOULDER - NAT NYLON 1/4 INCH	1
11	0522-00056	BOLT, HEX - HHCS 1/4 - 20 UNC X 1.0 GR 8 ZN YL ZINC PLATED	1
12	0521-00050	NUT, HEX - NYLOCK - 1/4-20 UNC GR5 ZINC PLATED ZINC PLATED	1
13	0524-00003	WASHER, FLAT - 5/16 SAE .344 ID X .688 OD X .065 THK ZINC PLATED	8
14	0522-00051	BOLT, HEX - HHCS 5/16 - 18 UNC X 2.0 GR 5 ZINC PLATED	4
15	0510-00103	HOOK, J - THREADED 1/4-20 UNC	1
16	0521-00017	NUT, HEX - NYLOCK - 5/16-18 UNC GR5 ZINC PLATED ZINC PLATED	4
17	0110-00128	ASSY, HOOK-J THREADED	1
18	0610-00079	PLATE, MOUNTING	1
19	0510-00104	HOOK, "J" THREADED 1/4-20UNC	1
20	0523-00122	SCREW, HEX - WHSD 1/4 X 1.5 ZINC PLATED	1
21	0523-00032	SCREW, HEX - WHSD 1/4 X .75 ZN	1
22	0606-00189	HORN	1
23	0106-00473	ASSY, GROUND WIRE - HORN	1



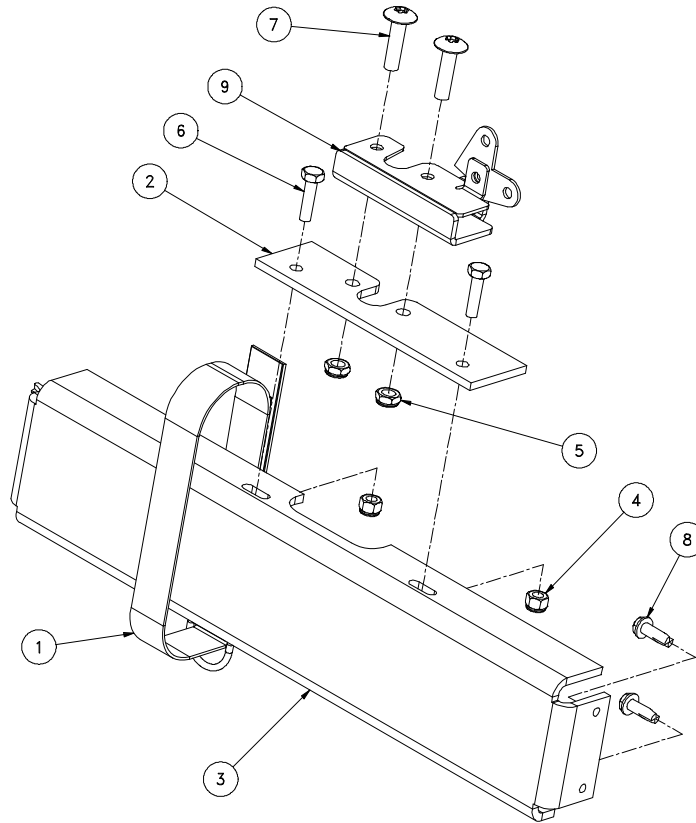
ASSY, FRONT AND REAR BATTERY HOLD-DOWNS

<u>ITEM</u>	<u>PART NO.</u>	<u>DESCRIPTION</u>	<u>QTY.</u>
1	0306-00497	HOLD DOWN, BATTERY - REAR CENTER	1
2	0306-00498	HOLD DOWN, BATTERY	2
3	0306-00499	HOLD DOWN, BATTERY	2
4	0510-00103	HOOK, J - THREADED 1/4-20 UNC	3
5	0510-00104	HOOK, "J" THREADED 1/4-20UNC	1
6	0510-00117	HOOK, J - THREADED 1/4-20UNC	2
7	0521-00050	NUT, HEX - NYLOCK - 1/4-20 UNC GR5 ZINC PLATED	9
8	0524-00003	WASHER, FLAT - 5/16 SAE	9



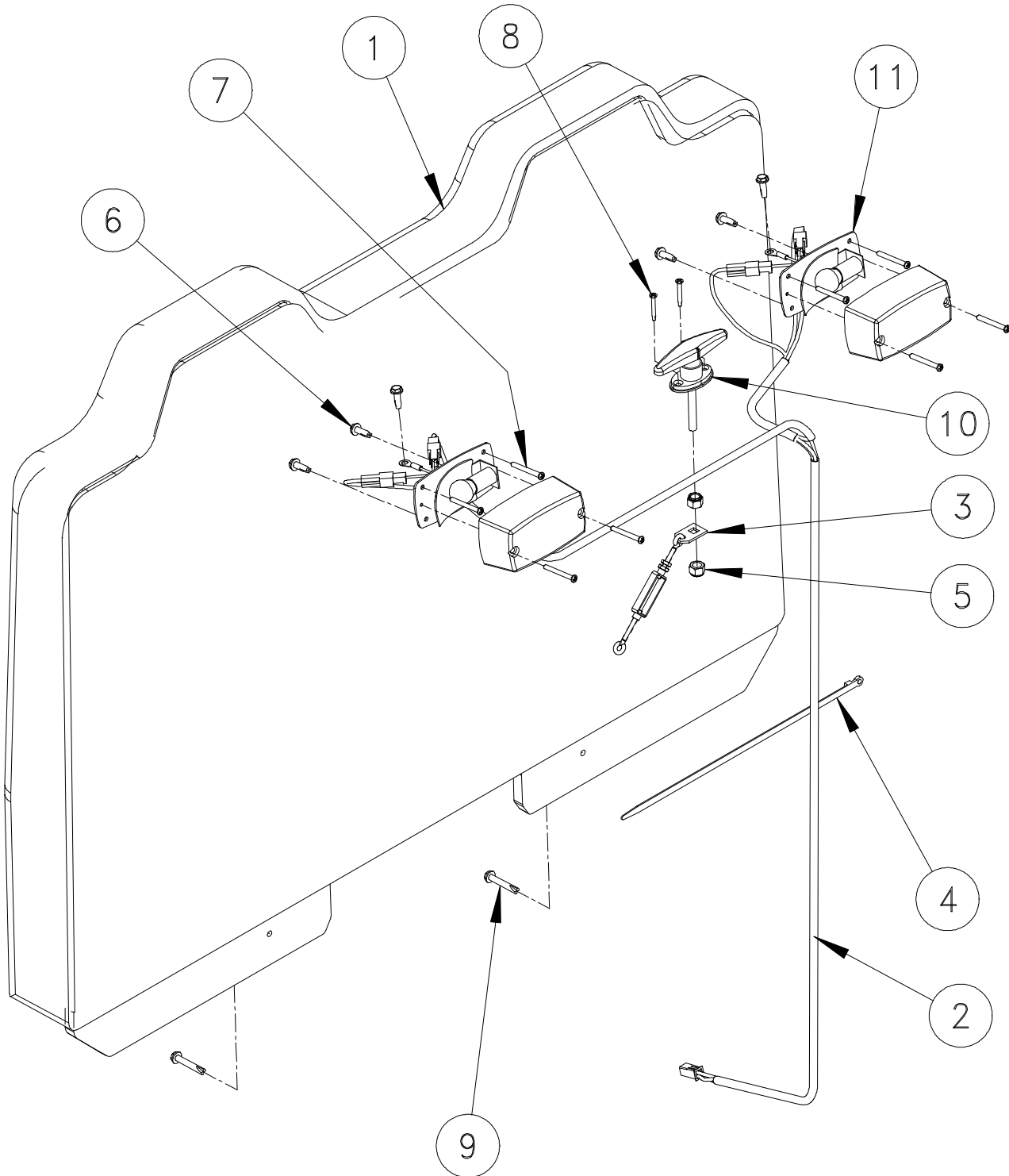
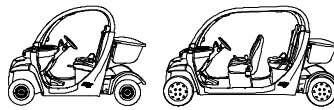
ASSY, T - HANDLE - PACK LATCH

<u>ITEM</u>	<u>PART NO.</u>	<u>DESCRIPTION</u>	<u>QTY.</u>
1	0609-00068	HANDLE, LOCK - SWIVEL PAK	1
2	0523-00200	SCREW, TEK - PHI OVL #8-18 X 1 1/4 #2 PT --	2
3	0521-00194	NUT, HEX - SERRATED FLANGE 3/8 - 24 ZN	2
4	0309-00854	TAB, TURNBUCKLE - PAK RELEASE	1
5	0609-00098	ASSY, TURNBUCKLE PACK - RELEASE	1



ASSY, LATCH - PACK

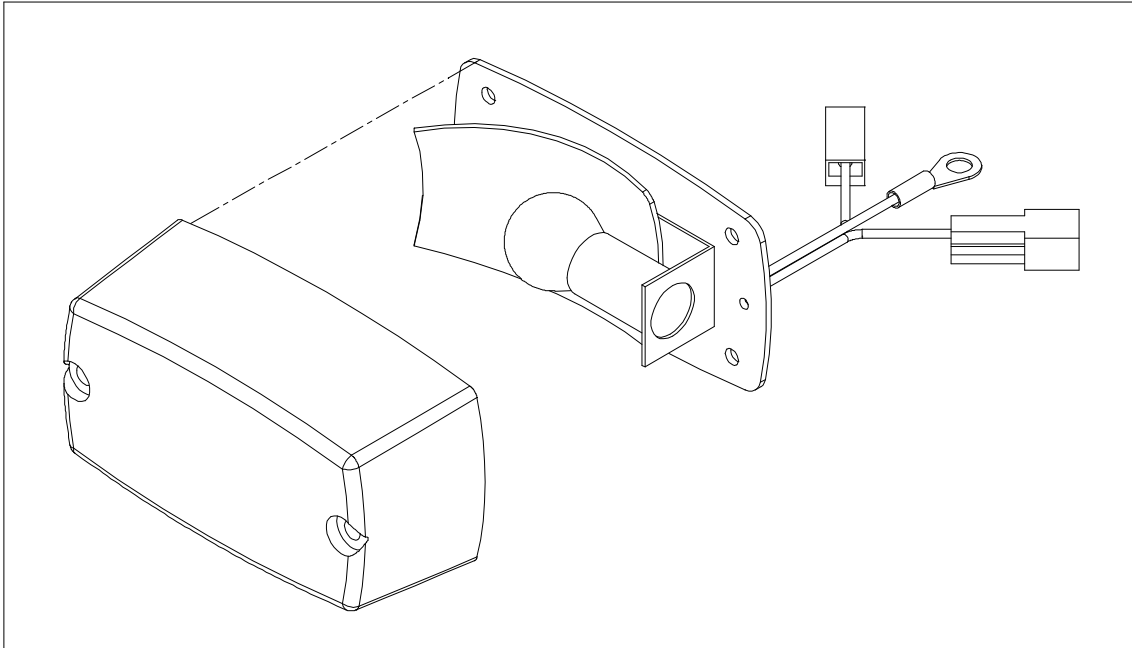
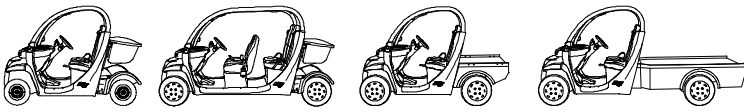
<u>ITEM</u>	<u>PART NO.</u>	<u>DESCRIPTION</u>	<u>QTY.</u>
1	0109-00522	ASSY, STRAP - PAK - SAFETY	1
2	0309-00283	PLATE, LATCH MOUNT	1
3	0309-00284	BRACKET, LATCH MOUNT PLATE	1
4	0521-00050	NUT, HEX - NYLOCK 1/4-20 UNC GR5 ZN	2
5	0521-00251	NUT, HEX - NYLOCK L/N 5/16 - 18 NTE THIN ZN	2
6	0522-00056	BOLT, HEX - HHCS 1/4 - 20 UNC X 1.0 GR 8 ZN YL ZINC PLATED	2
7	0522-00228	BOLT, TORX HD 5/16 - 18 X 1 1/4" ZN PL	2
8	0523-00032	SCREW, HEX - WHSD 1/4 X .75 ZN --	4
9	0609-00045	LATCH, PACK --	1



ASSY, T-HANDLE-SEAT BACK-TAIL LIGHTS

ITEM	PART NO.	DESCRIPTION	QTY.
1	0105-00091	ASSY, SEAT BACK	1
*2	0106-00234	ASSY, WIRE HARNESS	1
3	0109-00162	ASSY, TURNBUCKLE	1
4	0510-00137	TIE, CABLE W/#10 MOUNT HOLE 9" BLACK	1
5	0521-00194	NUT, HEX - SERRATED FLANGE - 3/8 - 24 ZINC PLATED	2
6	0523-00032	SCREW, HEX - WHSD 1/4 X .75 ZN	6
7	0523-00168	SCREW, PHIL TRUSS HEAD-#8-1 3/4 LG STEEL ZINC	8
8	0523-00200	SCREW, TEK - PHIL OVAL #8 - 18 X 1 1/4 #2 PT STL BLK ZN	2
9	0523-00122	SCREW, HEX - WHSD 1/4 X 1.5 ZINC PLATED	2
10	0609-00068	HANDLE, LOCK - SWIVEL PAK	1
11	1110-00043	ASSY, TAIL LIGHT	2

* = Not Part of assembly number 1110-00042 (reference only)

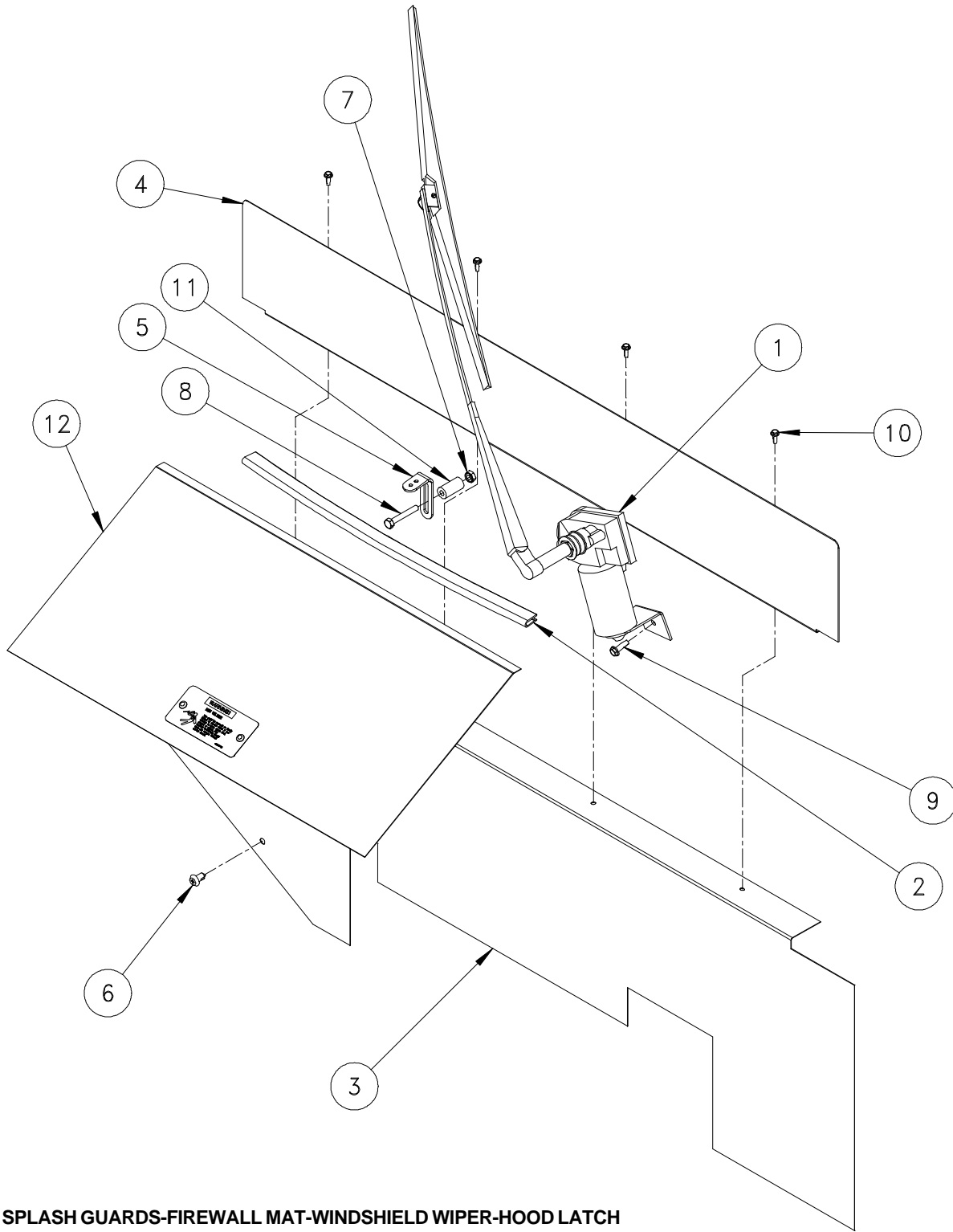
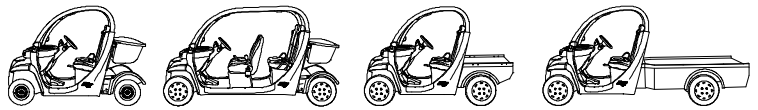


1106-00043

1106-00043 ASSY, TAIL LIGHT

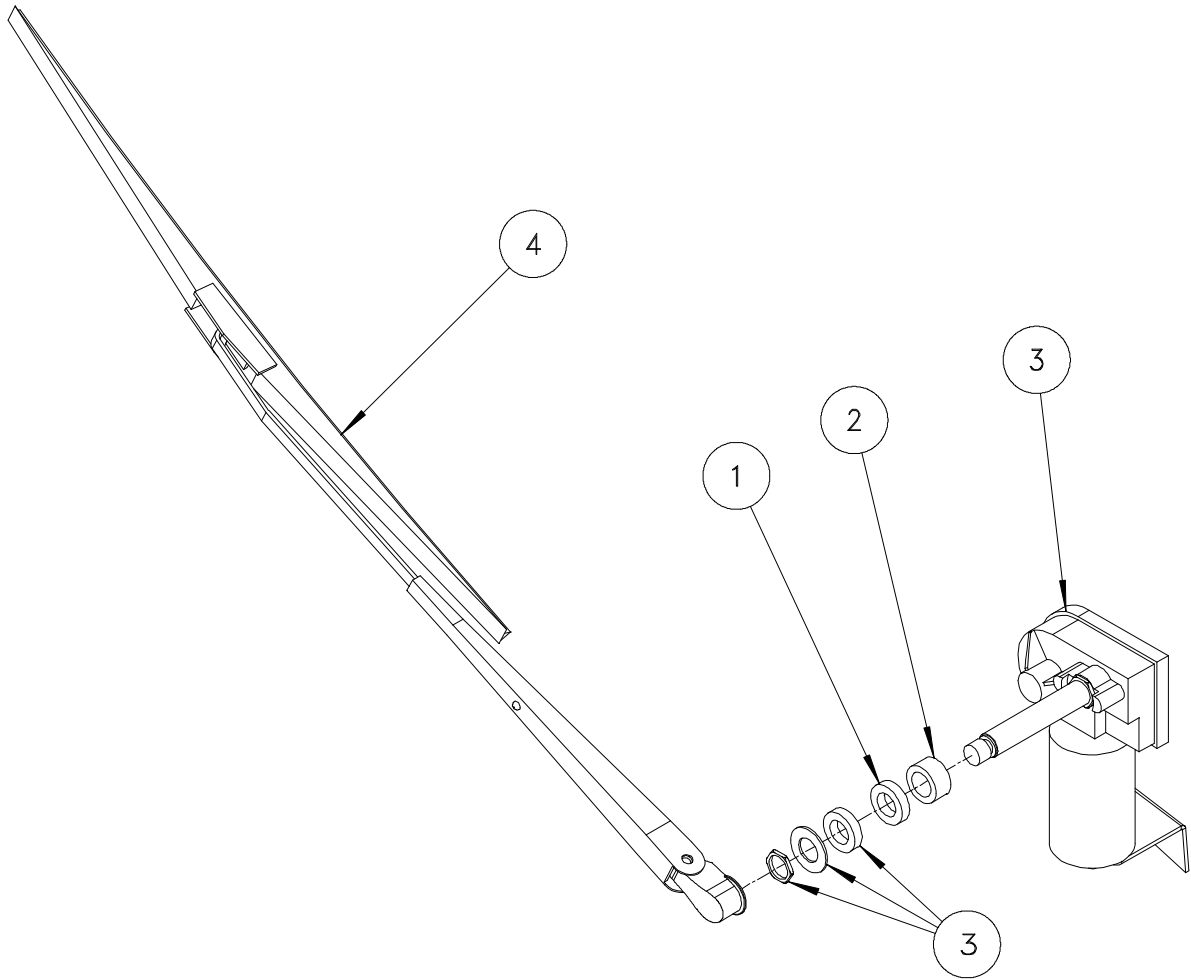
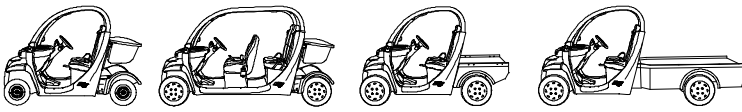
<u>ITEM</u>	<u>PART NO.</u>	<u>DESCRIPTION</u>
1	1106-00043	ASSY, TAIL LIGHT

QTY.
1



ASSY, SPLASH GUARDS-FIREWALL MAT-WINDSHIELD WIPER-HOOD LATCH

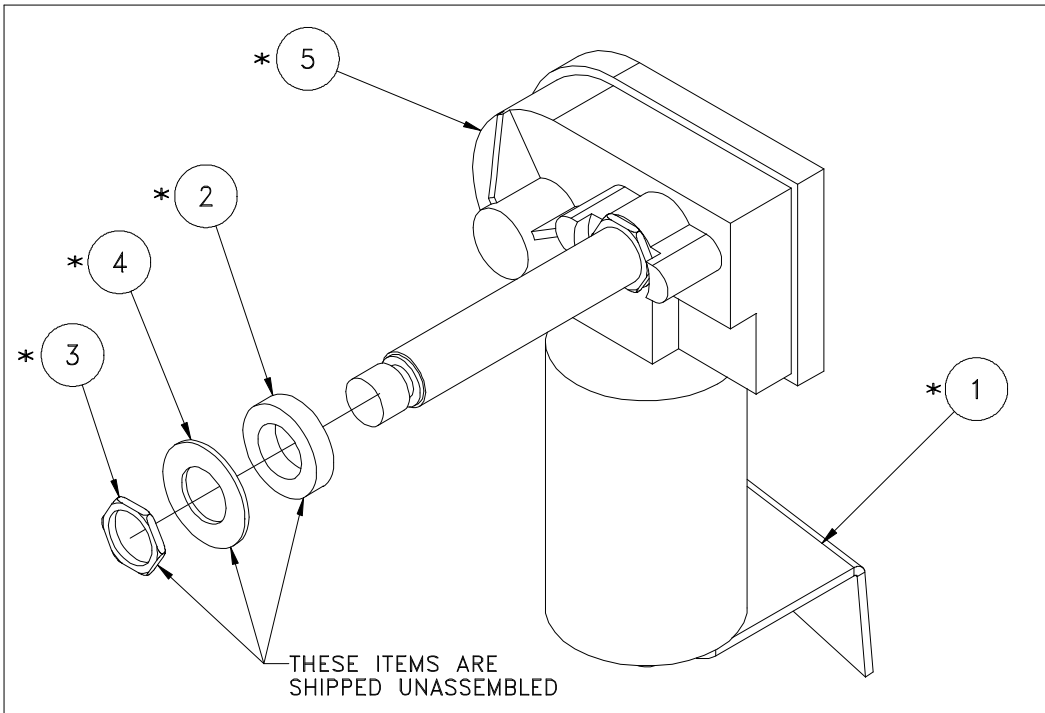
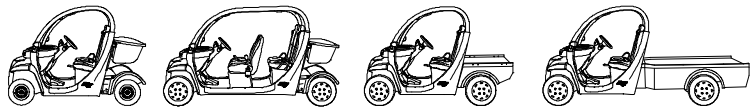
ITEM	PART NO.	DESCRIPTION	QTY.
1	0110-00108	ASSY, WIND SHIELD WIPER	1
2	0305-00776	TRIM, SPLASH PROTECTION	1
3	0310-00160	MAT, FIREWALL - INNER	1
4	0310-00651	ANGLE, SPLASH PROTECTION	1
5	0311-00811	BRACKET, HOOD LATCH	1
6	0520-00175	RIVET, PIN - REMOVABLE	1
7	0521-00071	NUT, KEPS - 1/4 - 20 UNC ZINC PLATED	1
8	0522-00097	BOLT, HEX HD	1
9	0523-00032	SCREW, HEX - WHSD 1/4 X .75 ZN	1
10	0523-00163	SCREW, HEX - WHSD 10 - 16 X 1/2 # 2 POINT STL BLK ZINC	4
11	0528-00231	BUSHING	1
12	1105-00010	ASSY, OUTER FIREWALL MAT	1



0110-00108 ASSY, WINDSHIELD WIPER

<u>ITEM</u>	<u>PART NO.</u>	<u>DESCRIPTION</u>	<u>QTY.</u>
1	0518-00085	BUSHING, RUBBER	1
2	0519-00230	BUSHING, ID.64 X OD.84 X .50 NYLON 6/6	1
*3	0610-00058	KIT, WIPER MOTOR	1
4	0110-00696	ASSY, WIPER ARM	1

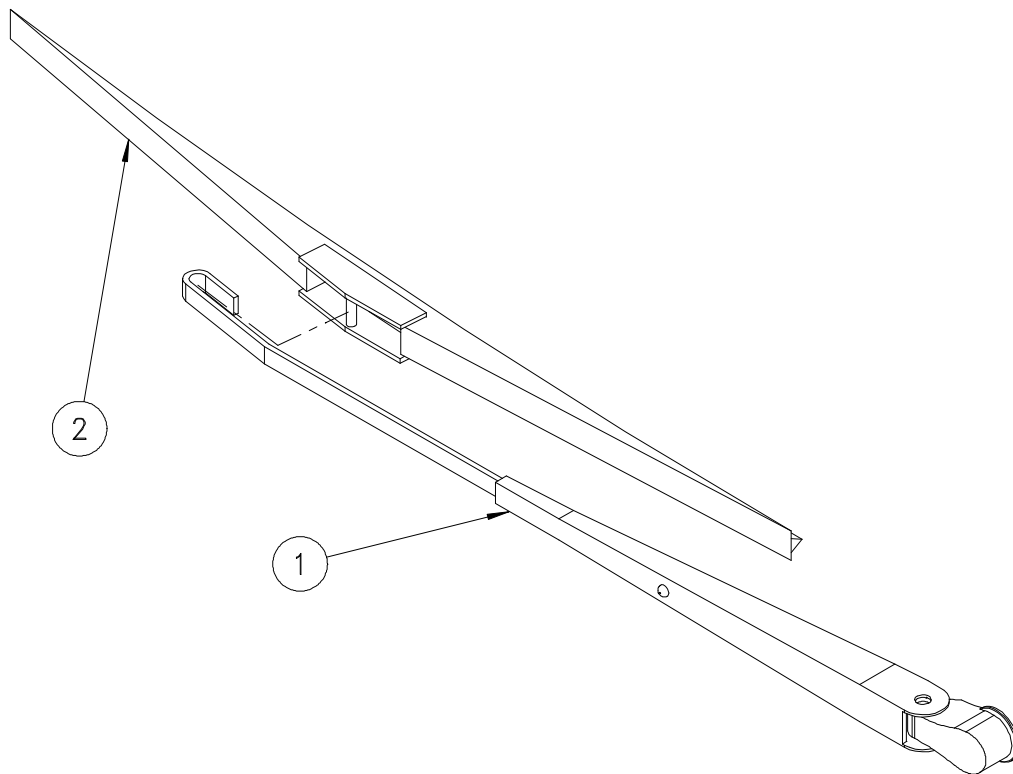
* ITEM(S) # 3 SOLD AS COMPLETE UNIT ASSEMBLED, NONE OF ITEM(S) # 3 ARE SOLD SEPARATELY.



0610-00058 KIT, WIPER MOTOR

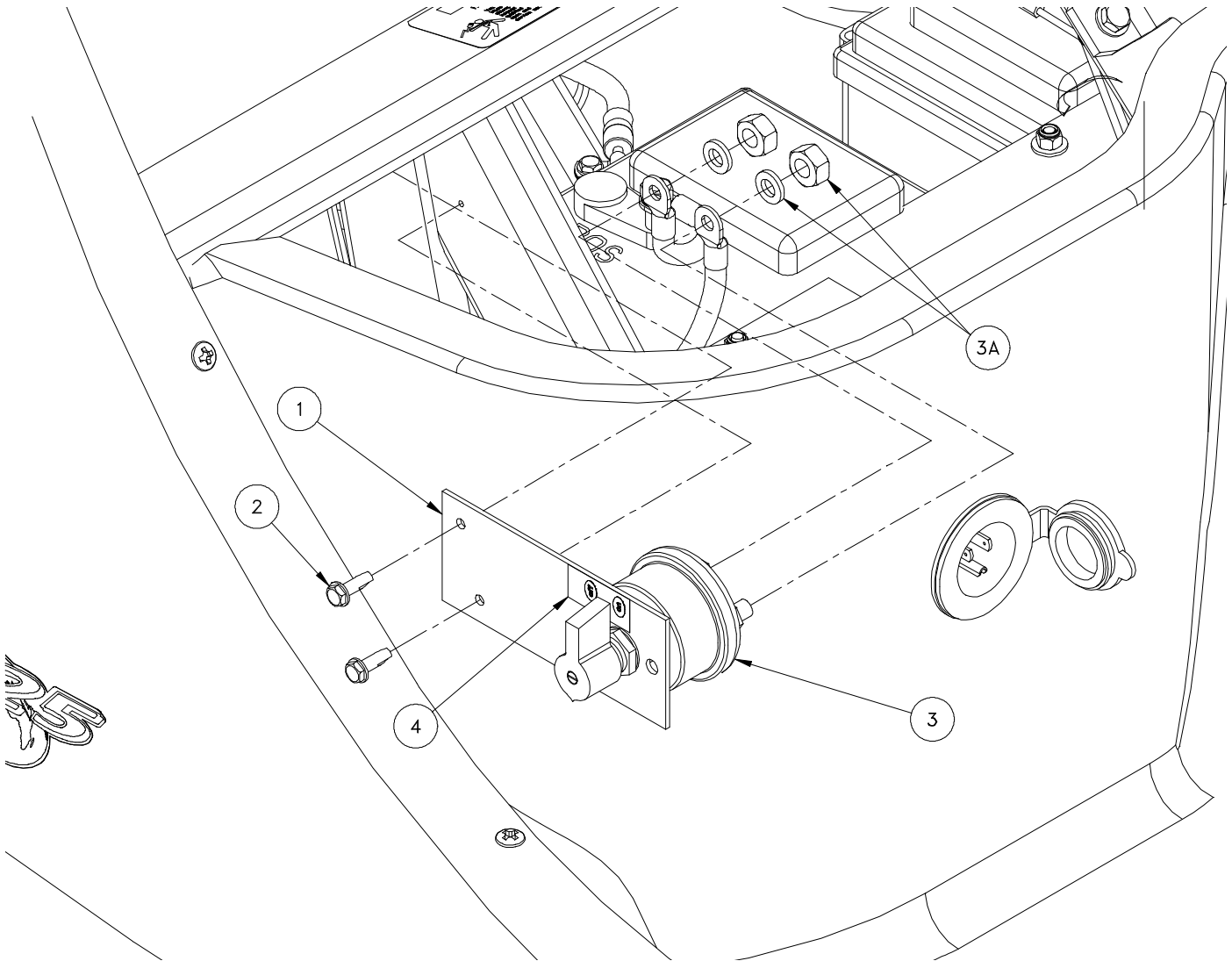
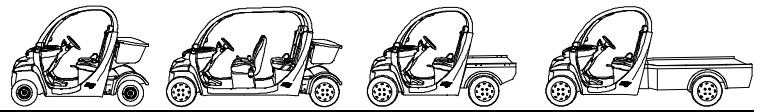
<u>ITEM</u>	<u>PART NO.</u>	<u>DESCRIPTION</u>	<u>QTY.</u>
*1	0310-00423	BRACKET, WIPER MOTOR	1
*2	0518-00085	BUSHING, RUBBER	1
*3	0521-00087	NUT, HEX - PANEL 5/8 - 24 X 3/4 X .093	1
*4	0524-00086	WASHER, FLAT - 5/8	1
*5	0610-00057	MOTOR, WIPER	1

* = NOT SOLD SEPARATELY



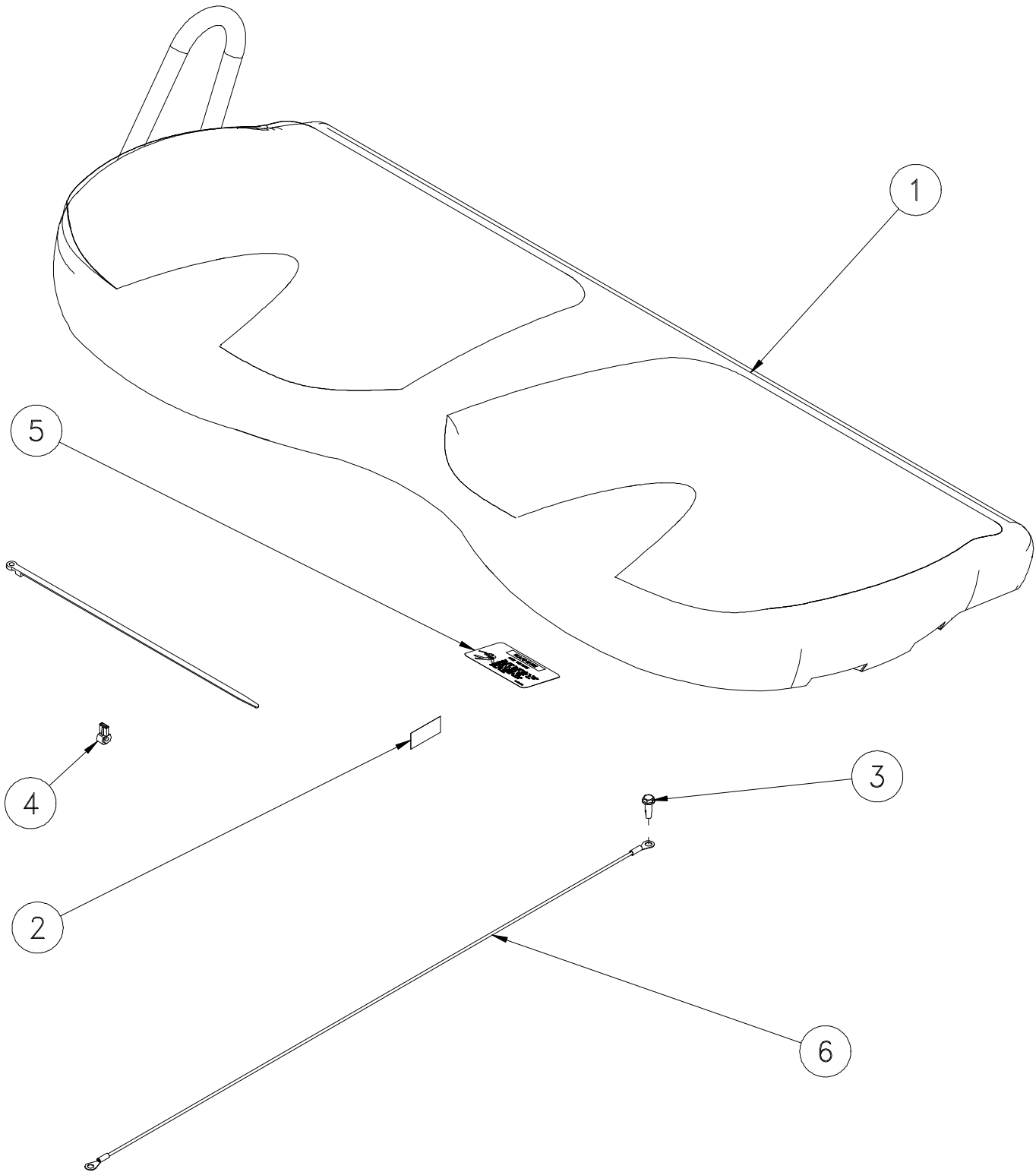
0110-00695 ASSY, WIPER ARM

<u>ITEM</u>	<u>PART NO.</u>	<u>DESCRIPTION</u>	<u>QTY.</u>
1	0310-00980	ARM, WIPER	1
2	0610-00270	BLADE, WIPER	1



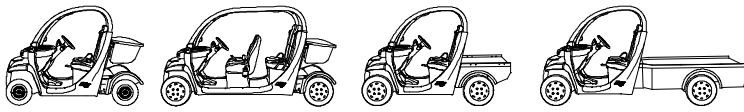
0106-00138 SWITCH, ROTARY - MASTER DISCONNECT

ITEM	PART NO.	DESCRIPTION	QTY.
1	0306-00494	BRACKET, MASTER DISCONNECT	1
2	0523-00032	SCREW, HEX - WASHER HEAD SELF DRILL 1/4 X .75 ZINC	2
3	0606-00089	SWITCH, ROTARY - MASTER DISCONNECT	1
3A	HARDWARE FOR SWITCH, ROTARY - MASTER DISCONNECT		
4	0350-00544	DECAL, ON / OFF	1



ASSY, DECALS - LICENSE PLATE GROUND WIRE ASSY - SEAT BASE

<u>ITEM</u>	<u>PART NO.</u>	<u>DESCRIPTION</u>	<u>QTY.</u>
1	0105-00089	ASSY, SEAT BOTTOM - 2 PASS	1
2	0350-00544	DECAL, ON-OFF	1
3	0523-00032	SCREW, HEX - WHSD 1/4 X .75 ZN	1
4	0606-00176	CONNECTOR, T - WIRE	1
5	0650-00209	DECAL, WARNING - HIGH VOLTAGE - PSA	1
6	1106-00009	ASSY, GROUND WIRE - LICENSE	1



DOCUMENTATION AND VIDEOS

<u>ITEM</u>	<u>PART NO.</u>	<u>DESCRIPTION</u>	<u>QTY.</u>
1	1010-00021	MANUAL, SERVICE	1
2	1010-00036	CATALOG, PARTS	1
3	1010-00037	VIDEO, - SAFETY, OPERATION, MAINTENANCE (Getting to Know Your GEM)	1
4	1010-00085	VIDEO, HARD DOOR INSTALLATION - 2 PASS	1
5	1010-00020	MANUAL, OWNERS	1

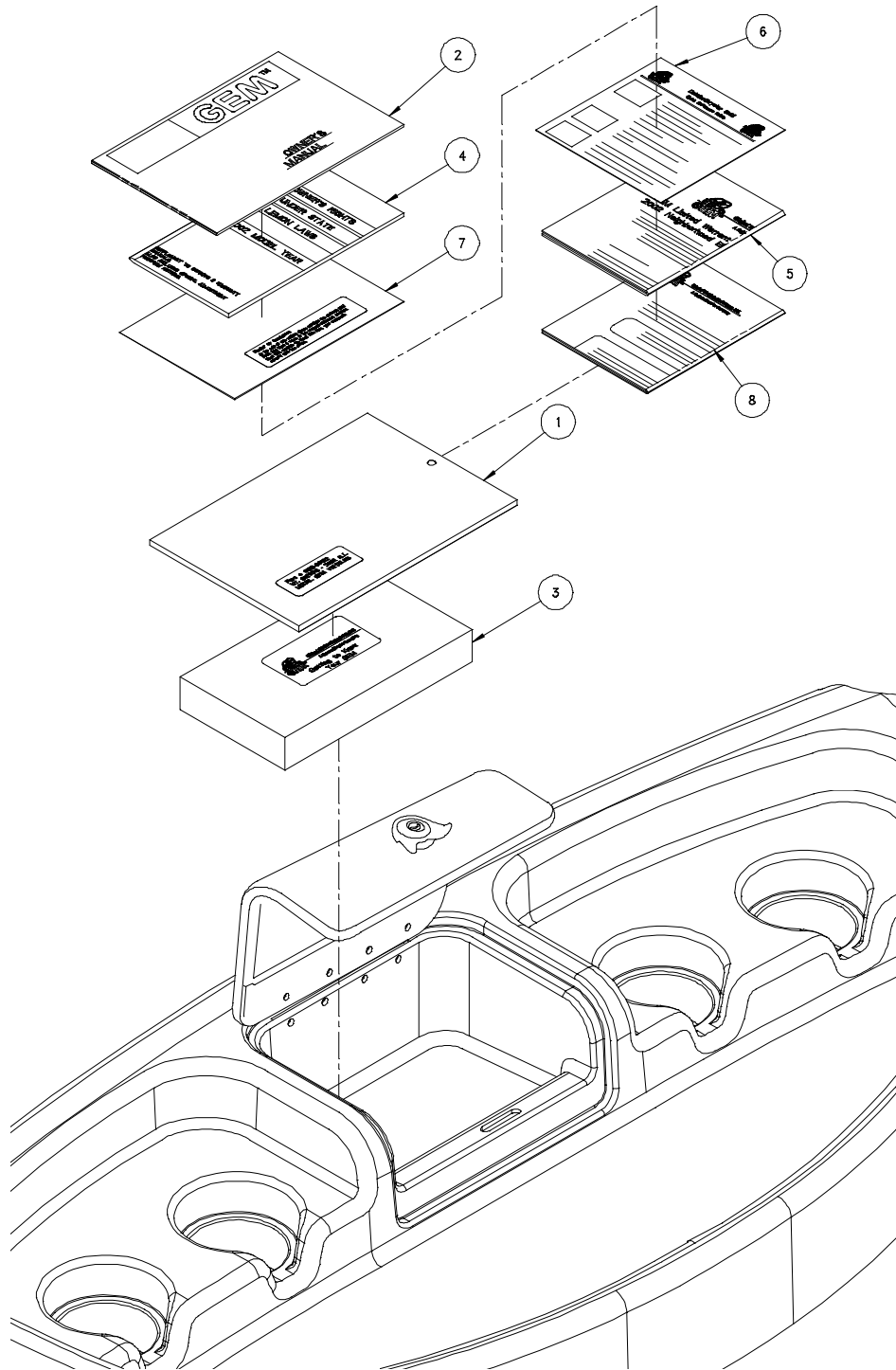
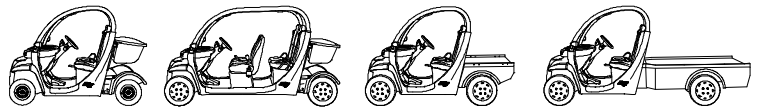


Global Electric Motorcars, LLC

A DaimlerChrysler Company

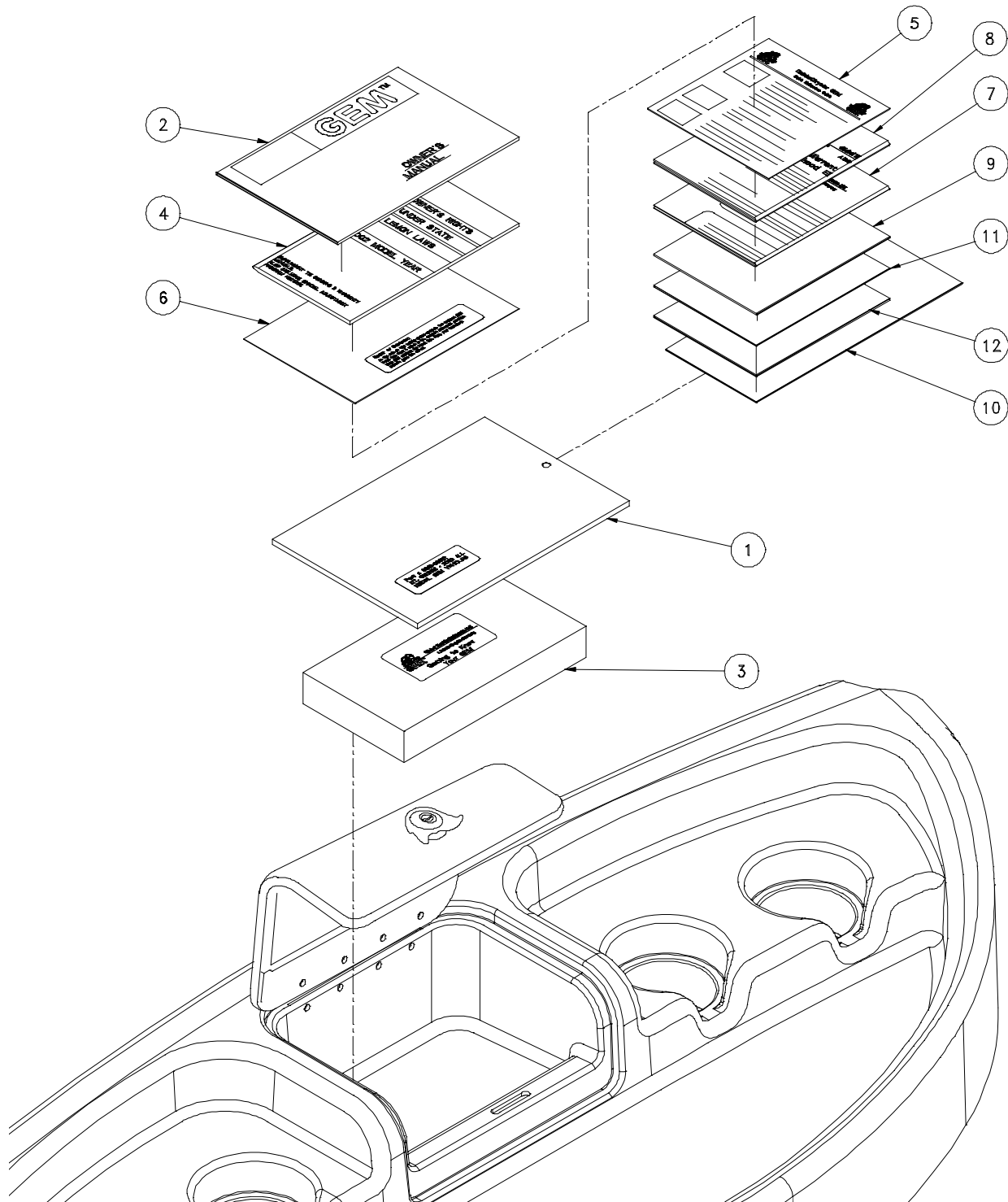
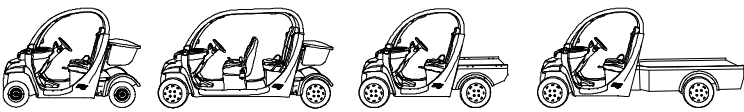
Parts Catalog

SECTION 8 - OWNERS KITS



0910-00012 KIT, OWNERS - 2002 ALL MODEL GEM VEHICLES

<u>ITEM</u>	<u>PART NO.</u>	<u>DESCRIPTION</u>	<u>QTY.</u>
1	0910-00013	ZIPPER BAG, 6" X 8" - 4 MIL LOW DENSITY	1
2	1010-00020	MANUAL, OWNERS	1
3	1010-00037	VIDEO, - SAFETY, OPERATION, MAINTENANCE - GETTING TO KNOW YOUR GEM	1
4	1010-00038	BOOKLET, LEMON LAW - OWNERS RIGHTS UNDER STATE	1
5	1010-00042	WARRANTY, GEM 2002	1
6	1010-00044	GUIDE, - SAFETY REFERENCE - OPERATION, STORAGE AND MAINTENANCE TIPS	1
7	1010-00045	FORM, LIMITED WARRANTY REGISTRATION W/ RETURN ENVELOPE ENCLOSED IN	1
8	1010-00046	MANILLA ENVELOPE	1
		PROGRAM, GEM DIRECT MOBILE SERVICE OPTION	1



0109-00883 - OWNERS PACKET, 2003 ALL MODELS GEM VEHICLES

<u>ITEM</u>	<u>PART NO.</u>	<u>DESCRIPTION</u>	<u>QTY.</u>
1	0910-00013	ZIPPER BAG, 6" X 8" - 4 MIL LOW DENSITY	1
2	1010-00020	MANUAL, OWNERS	1
3	1010-00037	VIDEO, - SAFETY, OPERATION, MAINTENANCE - GETTING TO KNOW YOUR GEM	1
4	1010-00038	BOOKLET, LEMON LAW - OWNERS RIGHTS UNDER STATE	1
5	1010-00044	GUIDE, QUICK REFERENCE - OPERATION, STORAGE AND MAINTENANCE TIPS	1
6	1010-00045	FORM, LIMITED WARRANTY REGISTRATION W/ RETURN ENVELOPE ENCLOSED IN MANILLA ENVEL	1
7	1010-00046	PROGRAM, GEM DIRECT MOBILE SERVICE OPTION	1
8	1010-00080	WARRANTY, GEM 2003	1
9	1010-00081	WARRANTY, TROJAN BATTERY	1
10	1010-00082	WARRANTY, GOOD YEAR - LIMITED TIRE	1
11	1010-00083	WARRANTY, NANKANG - LIMITED TIRE	1
12	1010-00084	WARRANTY, GEM GEL BATTERY	1

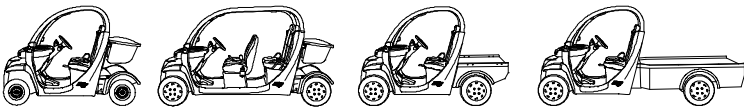


Global Electric Motorcars, LLC

A DaimlerChrysler Company

Parts Catalog

SECTION 9 - DECALS



WARNING

- Read the Owners Manual before operating this vehicle
- This is a (4) passenger vehicle
- Operate the vehicle by authorized person only and from driver's side only
- Do not start the vehicle until all people are seated
- Stop the vehicle before reversing direction (be aware of small children and objects)
- Always use the turf setting when on the golf course
- Avoid sharp turns on steep inclines and at high speeds (may cause tip over)
- This is an open vehicle, keep arms and legs inside vehicle at all times
- Shall not be operated at a speed of more than twenty five miles per hour (25 mph)
- Shall not be driven on a highway that has a posted speed limit of more than thirty five miles per hour (35 mph)
- Drive with safety and wear seat belts (failure to do so may cause severe injury or death)
- Reduce speed on wet and slippery surfaces and in turns
- Do not leave children unattended in vehicle
- Do not operate this vehicle while under the influence of alcohol, drugs or medication
- Set handbrake before leaving vehicle
- Remove key when leaving vehicle unattended
- Check your local law and regulations (city and state)

0350-00548

WARNING

- Read the Owners Manual before operating this vehicle
- This is a (2) passenger vehicle
- Operate the vehicle by authorized person only and from driver's side only
- Do not start the vehicle until all people are seated
- Stop the vehicle before reversing direction (be aware of small children and objects)
- Always use the turf setting when on the golf course
- Avoid sharp turns on steep inclines and at high speeds (may cause tip over)
- This is an open vehicle, keep arms and legs inside vehicle at all times
- Shall not be operated at a speed of more than twenty five miles per hour (25 mph)
- Shall not be driven on a highway that has a posted speed limit of more than thirty five miles per hour (35 mph)
- Drive with safety and wear seat belts (failure to do so may cause severe injury or death)
- Reduce speed on wet and slippery surfaces and in turns
- Do not leave children unattended in vehicle
- Do not operate this vehicle while under the influence of alcohol, drugs or medication
- Set handbrake before leaving vehicle
- Remove key when leaving vehicle unattended
- Check your local law and regulations (city and state)

0350-00549

WARNING!

HIGH VOLTAGE

You could be seriously or fatally injured by electric shock if you attempt to open, repair, test, inspect or adjust. Only qualified technicians should open and service. Consult service manual.

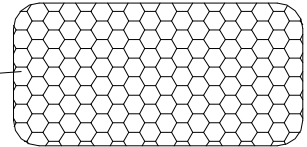
4785058

WARNING!

HIGH VOLTAGE

You could be seriously or fatally injured by electric shock if you attempt to open, repair, test, inspect or adjust. Only qualified technicians should open and service. Consult service manual.

0350-0058



• Load capacity 100 pounds.
• No Riders! This is not a seat.

0350-00767

WARNING

FOLLOW DIRECTIONS CAREFULLY TO AVOID INJURY

- Position the ramps such that the three side contact the trailer floor, and the opposite end contacts the ground. The tip on the edge of the ramps should be towards the outside.
- Rotate the U-shaped spacer/pipes located on the side of the ramp, and connect them to the poles on the opposite ramp.
- Remove the lower pin in the center supports. Lower the posts until they touch the ground, and then raise the posts up to the nearest hole. Reinsert the pin and safety clip. THE RAMP MUST MAINTAIN CONTACT WITH THE TRAILER AND THE GROUND.
- Secure the ramps to the trailer using one tie strap per ramp. Hook one end of the strap to the strap located near the center on the bottom side of the ramp. Attach the other end to the rear of the trailer and tighten just until snug. The strap should not force the ramp off of the trailer floor.
- Proceed to use with GEM VEHICLES ONLY.

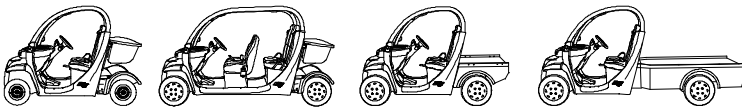
WARNING

FOLLOW DIRECTIONS CAREFULLY TO AVOID INJURY

- Position the ramps such that the three side contact the trailer floor, and the opposite end contacts the ground. The tip on the edge of the ramps should be towards the outside.
- Rotate the U-shaped spacer/pipes located on the side of the ramp, and connect them to the poles on the opposite ramp.
- Remove the lower pin in the center supports. Lower the posts until they touch the ground, and then raise the posts up to the nearest hole. Reinsert the pin and safety clip. THE RAMP MUST MAINTAIN CONTACT WITH THE TRAILER AND THE GROUND.
- Secure the ramps to the trailer using one tie strap per ramp. Hook one end of the strap to the strap located near the center on the bottom side of the ramp. Attach the other end to the rear of the trailer and tighten just until snug. The strap should not force the ramp off of the trailer floor.
- Proceed to use with GEM VEHICLES ONLY.

DECALS, SAFETY

ITEM	PART NO.	DESCRIPTION	QTY.
1	0350-00548	DECAL, WARNING - 4 PASSENGER (4 PASSENGER ONLY)	1
2	0350-00549	DECAL, WARNING - 2 PASSENGER	1
3	0650-00209	DECAL, WARNING - HIGH VOLTAGE - PSA	1
4	0610-00188	DECAL, WARNING - HIGH VOLTAGE	1
5	0350-00542	DECAL, REFLECTORS RED	1
6	0350-00767	DECAL, LOAD LIMIT - SWIVEL PACK	1
7	0350-00863	DECAL, DEALER RAMP, LH	1
8	0350-00864	DECAL, DEALER RAMP, RH	1



1

⚠ WARNING

- Maximum payload capacity of this vehicle is 700 lb.
- Distribute weight equally over axle.
- Do not exceed GVW of 2300 lb.
- Abuse or noncompliance will void warranty.

0350-01161

2

⚠ WARNING

- Maximum payload capacity of this vehicle is 330 lb.
- Distribute weight equally over axle.
- Do not exceed GVW of 1850 lb.
- Abuse or noncompliance will void warranty.

0350-01162

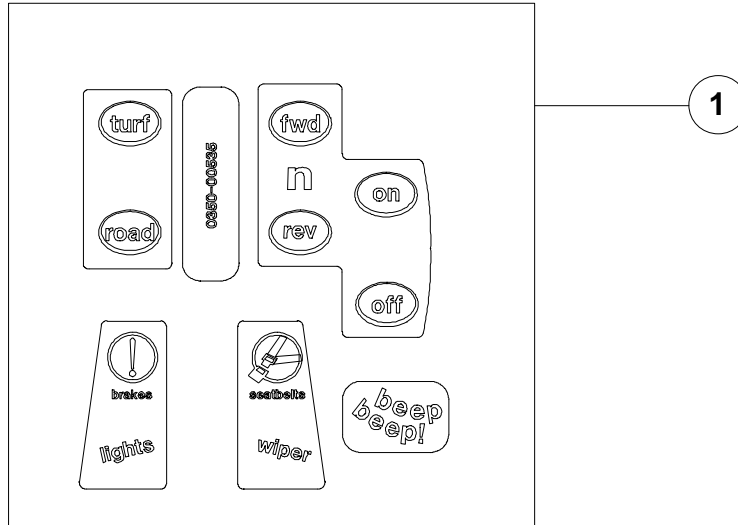
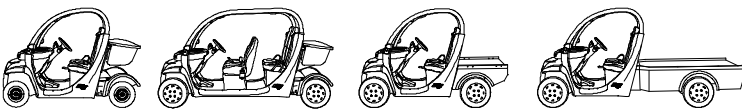
3

⚠ WARNING

To avoid damage to the bed do not strap or tie anything to the rails.


DECALS, SAFETY

<u>ITEM</u>	<u>PART NO.</u>	<u>DESCRIPTION</u>	<u>QTY.</u>
1	0350-01161	DECAL, WARNING - PAYLOAD LG UTILITY	1
1	0350-01162	DECAL, WARNING - PAYLOAD SM UTILITY	1
1	0350-01198	DECAL, BED RAIL	1



IMPORTANT! Please read the following information
This sticker is to be removed only by the customer.

- Read and understand the owner's manual before operating vehicle.
- Never haul vehicle on an open trailer, while facing backwards.
- If hauling car on an open trailer, pull at speeds of 55 mph or less. Always pull the car facing forward.
- Store vehicle with the battery disconnect switch turned off.
- Battery disconnect switch must be turned on to charge vehicle.
- Check battery water level at least once a month.
- The cargo peck attachment system utilizes a dual stage latch. For a secure attachment, ensure that the peck has latched into both stages. (Listen for two "clicks")



1-888-871-4367 Global Electric Motorcars, LLC www.gemcar.com 0350-00545

DISCLOSURE TO LOW SPEED VEHICLE BUYER

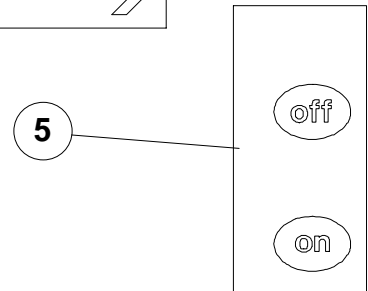
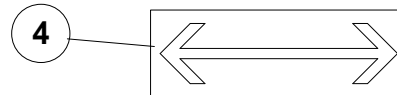
This vehicle

- Has a maximum speed of 25 miles per hour.
- May be hazard on the roadways if it impedes traffic.
- May subject the driver to citations for impeding traffic.



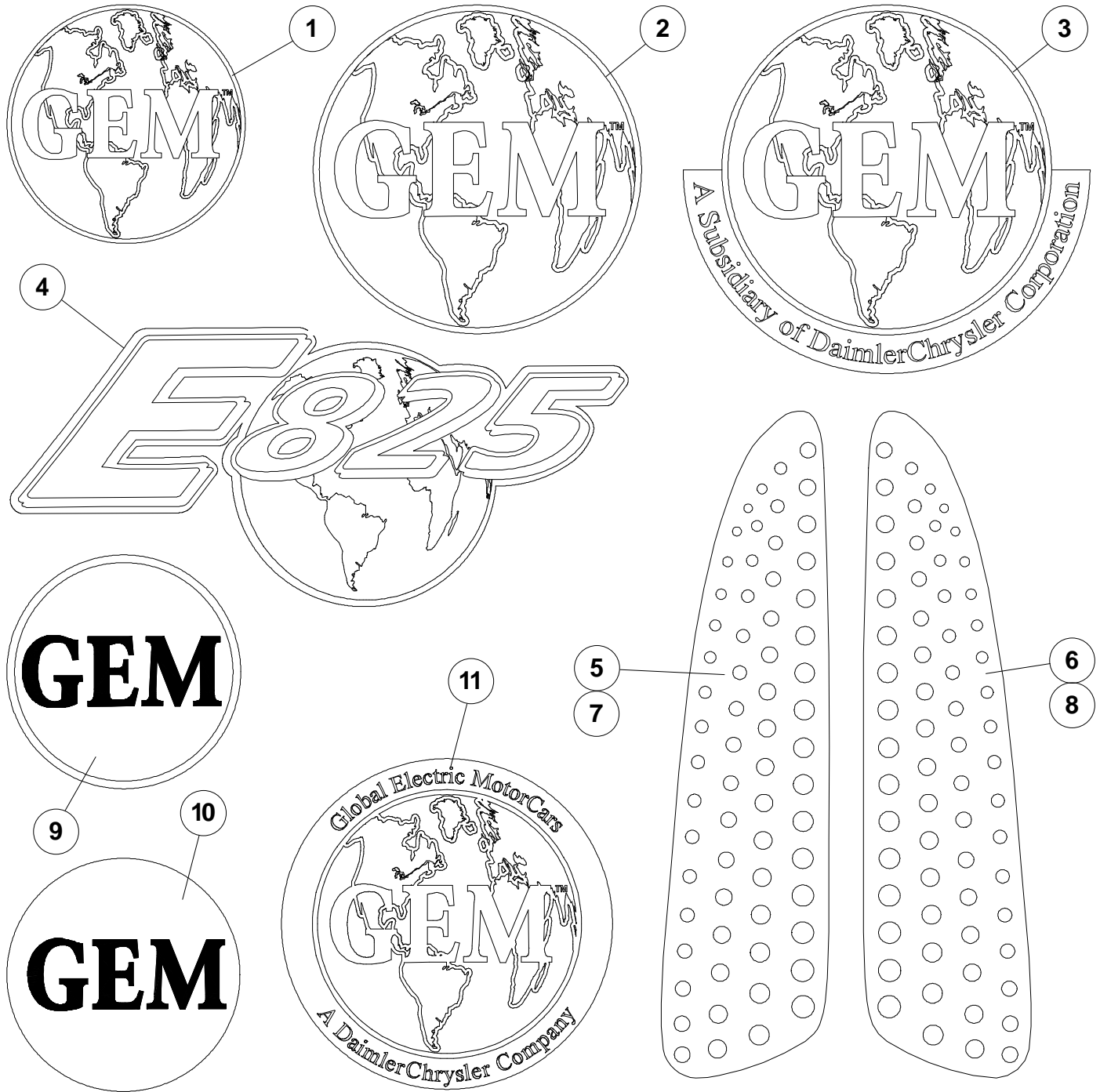
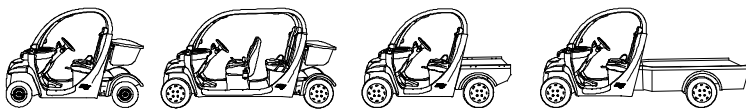
GEM™
Global Electric Motorcars, LLC
888 - 871 - 4367

PATENT PENDING 0350-00550 WWW.GEMCAR.COM



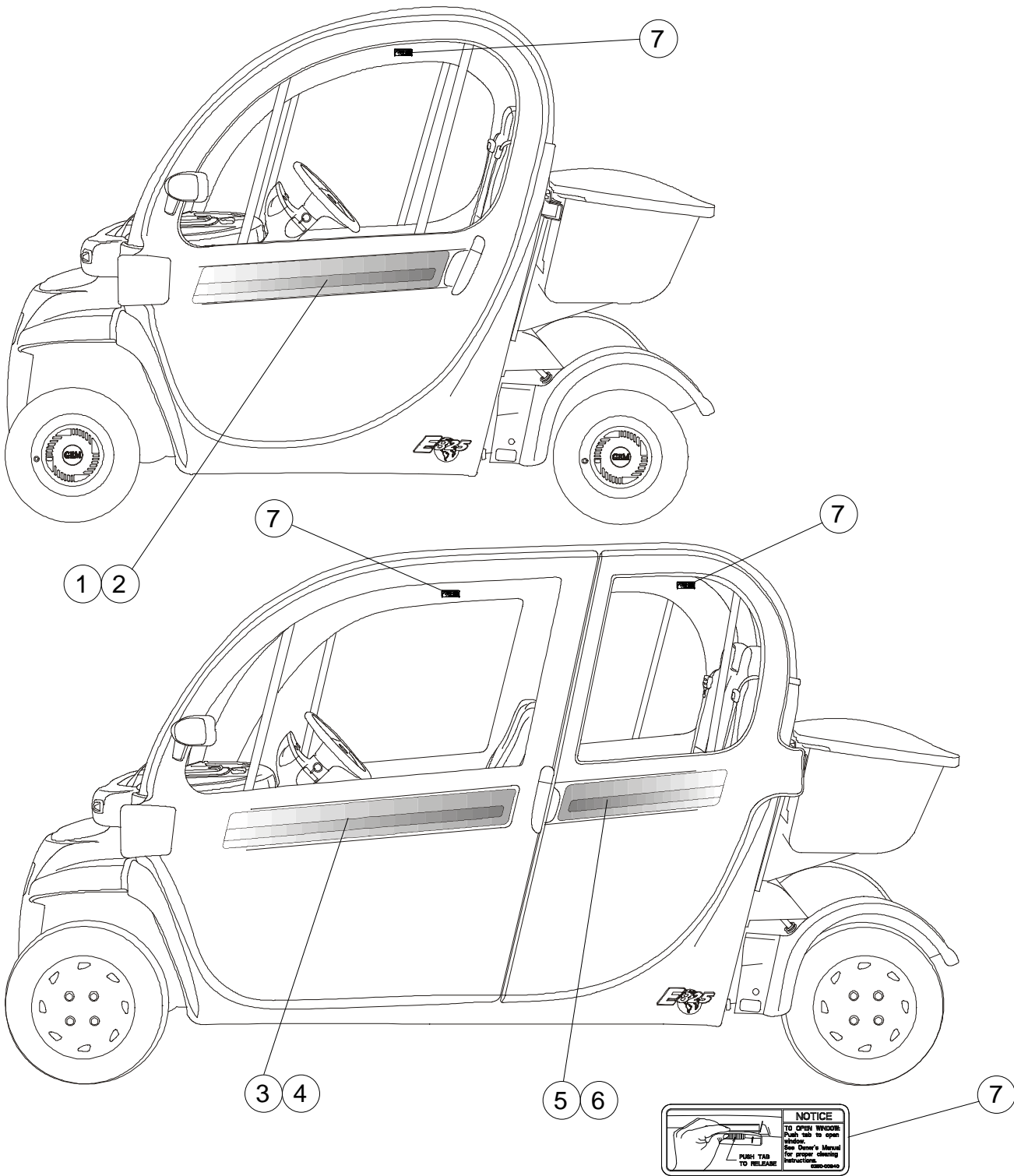
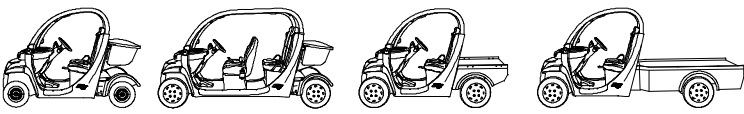
DECALS, INFORMATIONAL

ITEM	PART NO.	DESCRIPTION	QTY.
1	0350-00535	DECAL, I/P 72V	1
2	0350-00545	DECAL, WINDOW	1
3	0350-00733	DECAL, LOW SPEED DISCLOSURE	1
4	0350-00553	DECAL, ARROW	1
5	0350-00544	DECAL, ON-OFF	1
6	0350-00550	DECAL, GLOBAL 888 NBR	1



DECALS, COSMETIC

<u>ITEM</u>	<u>PART NO.</u>	<u>DESCRIPTION</u>	<u>QTY.</u>
1	0350-00540	DECAL, 1.875" GEM - REAR	1
2	0350-00539	DECAL, 3 1/2" GEM - FRONT (OBSOLETE, USE 0350-01052)	1
3	0350-00748	DECAL, 3 1/2" GEM - FRONT (OBSOLETE, USE 0350-01052)	1
4	0350-00536	DECAL, E825	1
5	0350-00538	DECAL, HOOD GRILLE - RH (ABS PLASTIC HOOD SMALLER IN SIZE THAN P/N 0350-00865)	1
6	0350-00546	DECAL, HOOD GRILLE - LH (ABS PLASTIC HOOD SMALLER IN SIZE THAN P/N 0350-00866)	1
7	0350-00865	DECAL, HOOD GRILLE - RH (FIBER GLASS HOOD)	1
8	0350-00866	DECAL, HOOD GRILLE - LH (FIBER GLASS HOOD)	1
9	0350-00554	DECAL, STEERING WHEEL	1
10	0350-00749	DECAL, HUBCAP 10"	1
11	0350-01052	DECAL, 4" DIA. GEM - FRONT HOOD	1



HARD DOOR DECALS

ITEM	PART NO.	DESCRIPTION	QTY.
1	0350-00954	DECAL, STRIPE - HARD DOOR - 2PASS LH	1
2	0350-00955	DECAL, STRIPE - HARD DOOR - 2 PASS RH	1
3	0350-00956	DECAL, STRIPE-HARD DR-4 PASS-FRONT-LH	1
4	0350-00957	DECAL, STRIPE-HARD DR-4 PASS-FRONT-RH	1
5	0350-00958	DECAL, STRIPE-HARD DR-4 PASS-REAR-LH	1
6	0350-00959	DECAL, STRIPE-HARD DR-4 PASS-REAR-RH	1
7	0350-00940	DECAL, NOTE-WINDOW OPENING INSTRUCTION (Qty. 4 NEEDED FOR 4 -PASS, & 2 NEEDED FOR 2-PASS)	1

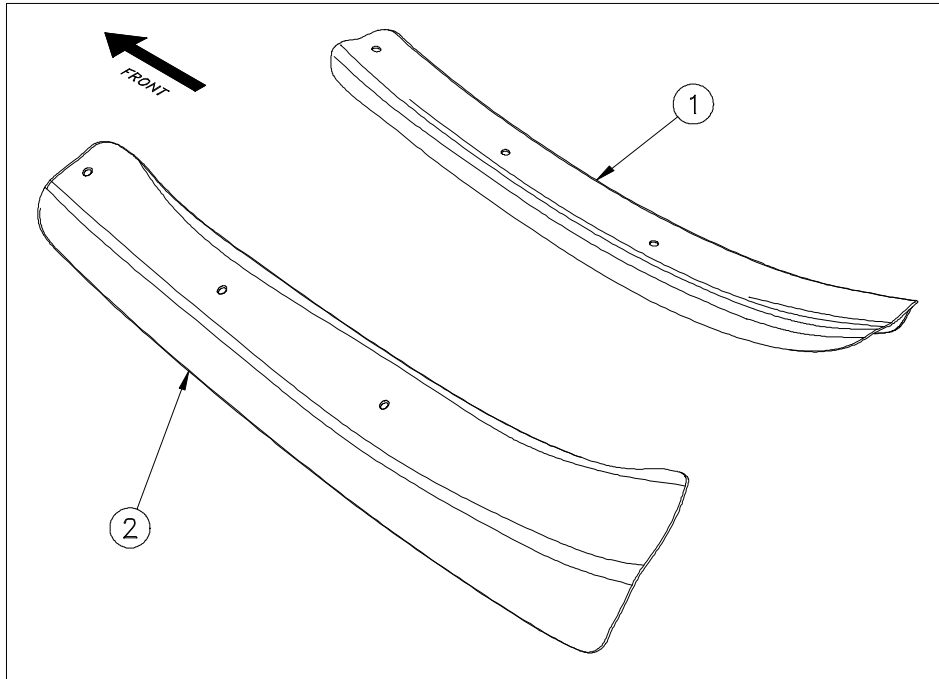
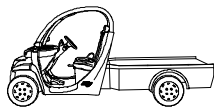


Global Electric Motorcars, LLC

A DaimlerChrysler Company

Parts Catalog

SECTION 10 - ACCESSORIES



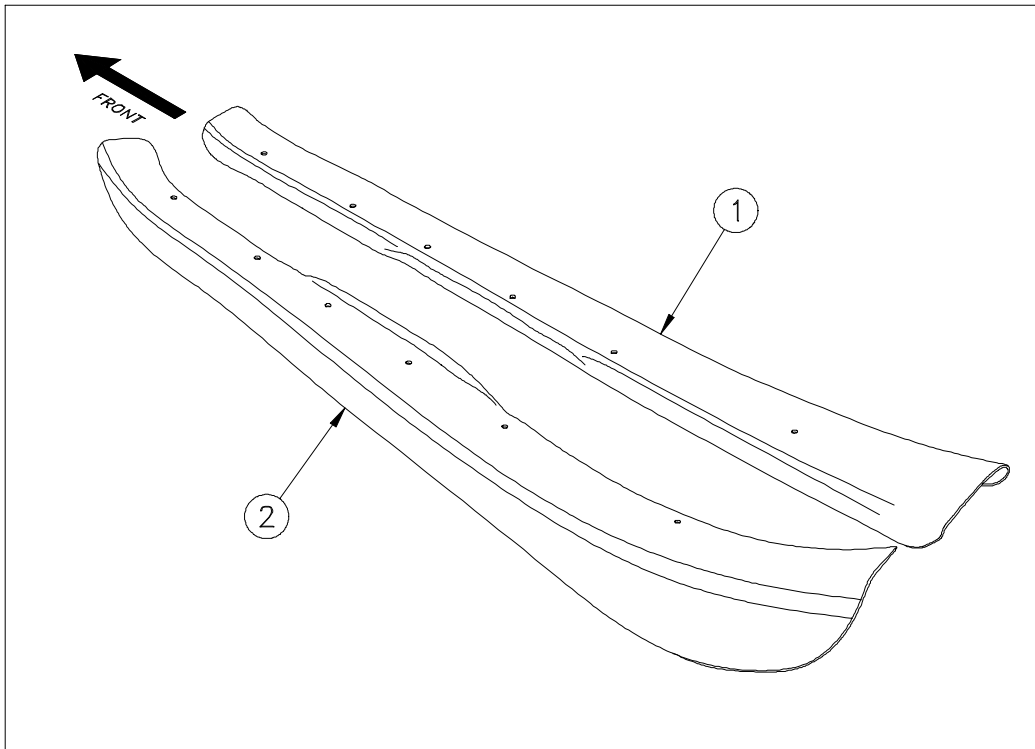
0107-00104

0107-00104 ASSY, SCUFF GUARDS - 2 PASS

<u>ITEM</u>	<u>PART NO.</u>	<u>DESCRIPTION</u>
1	0307-00412	GUARD, SCUFF - RH BLACK PLASTIC 2 PASS
2	0307-00413	GUARD, SCUFF - LH BLACK PLASTIC 2 PASS

NOTE: EXISTING HARDWARE IS USED TO INSTALL SCUFF GUARDS

QTY.
1

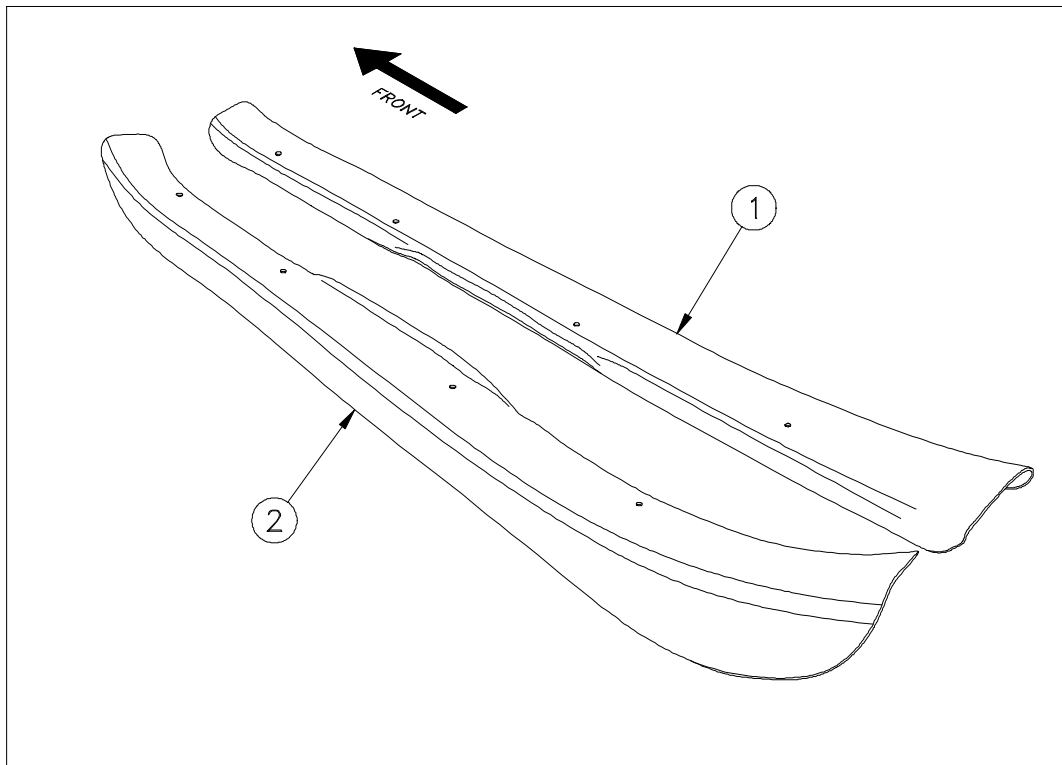


0107-00475

0107-00475 ASSY, SCUFF GUARDS - 4 PASS

<u>ITEM</u>	<u>PART NO.</u>	<u>DESCRIPTION</u>	<u>QTY.</u>
1	0307-00719	GUARD, SCUFF - RH BLACK PLASTIC 4 PASS W/ PL TUB	1
2	0307-00720	GUARD, SCUFF - LH BLACK PLASTIC 4 PASS W/ PL TUB	1

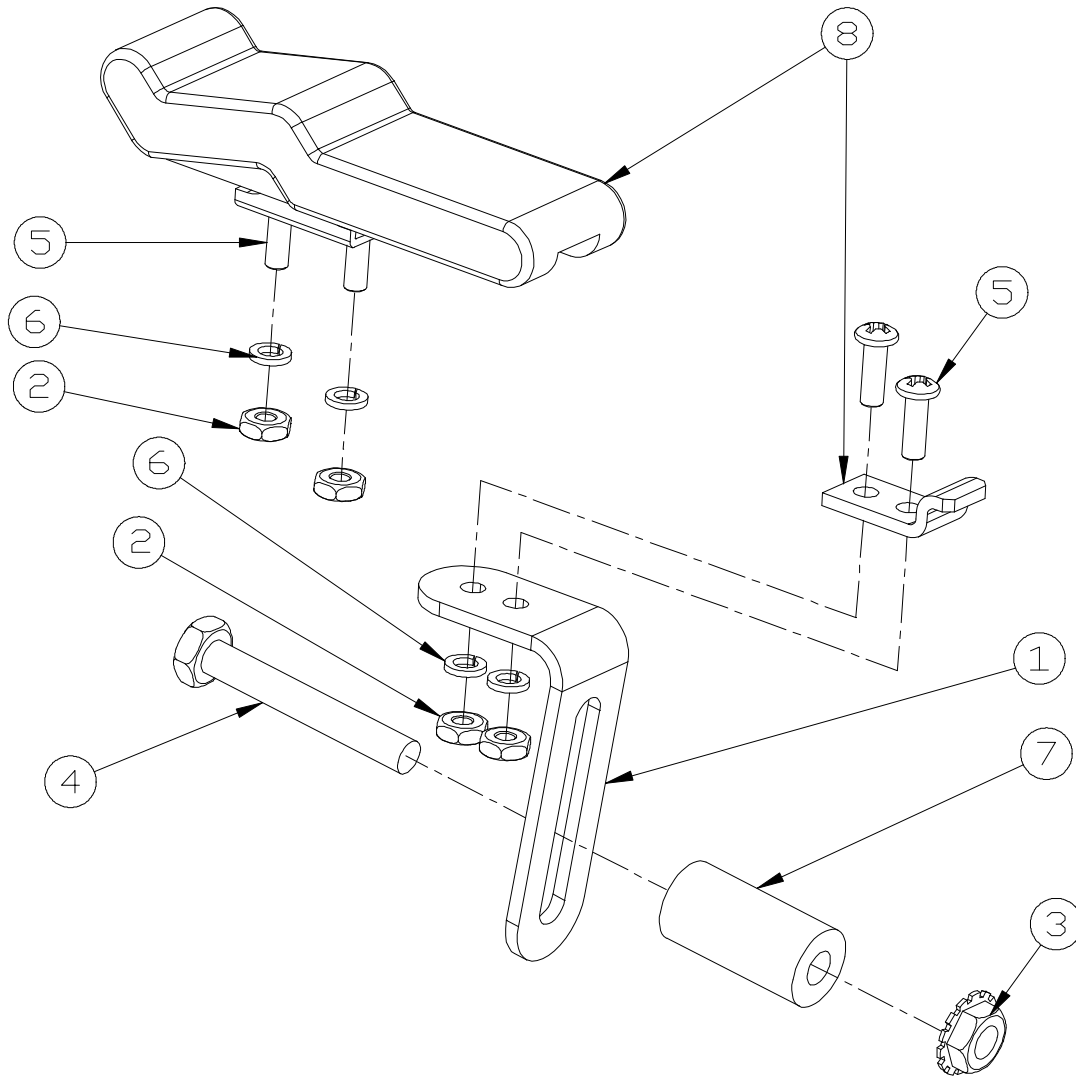
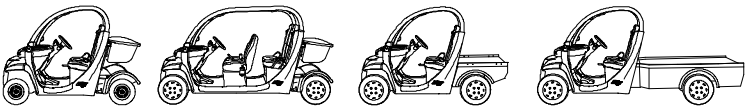
NOTE: 1. FOR PLASTIC TUBS ONLY.
 2. ALTHOUGH THIS SCUFF GUARD PACKAGE WILL WORK ON ALL 4 PASSENGER VEHICLES WITH PLATIC TUBS, THESE SCUFF GUARDS HAVE BEEN SPECIFICALLY DESIGNED TO BE USED WITH THE HARD DOOR ACCESSORY



SCUFF GUARDS FOR FIBERGLASS TUBS ONLY

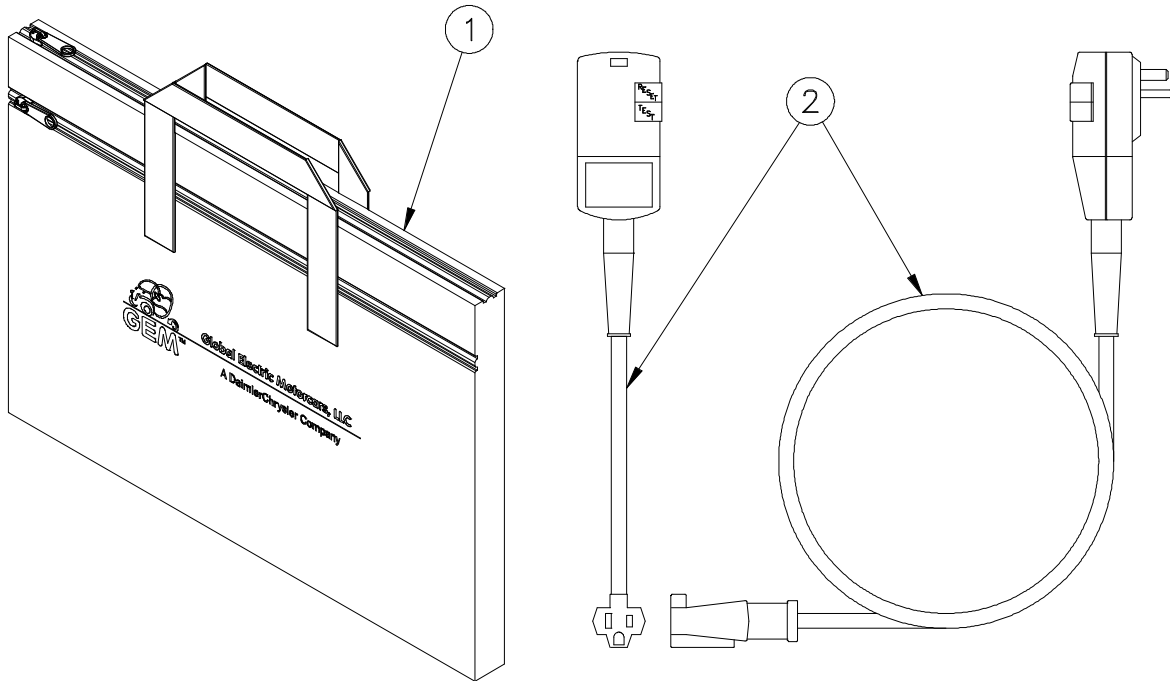
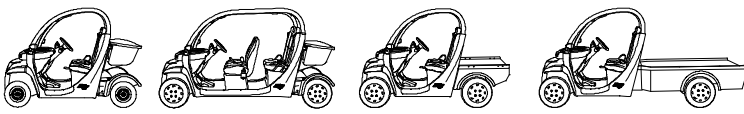
<u>ITEM</u>	<u>PART NO.</u>	<u>DESCRIPTION</u>	<u>QTY.</u>
1	0307-00434	GUARD, SCUFF-RH-BLK PLC-4PASS-FIBERGLASS	1
2	0307-00435	GUARD, SCUFF-LH-BLK PLC-4PASS-FIBERGLASS	1

NOTE: 1. FOR PLASTIC TUBS ONLY.



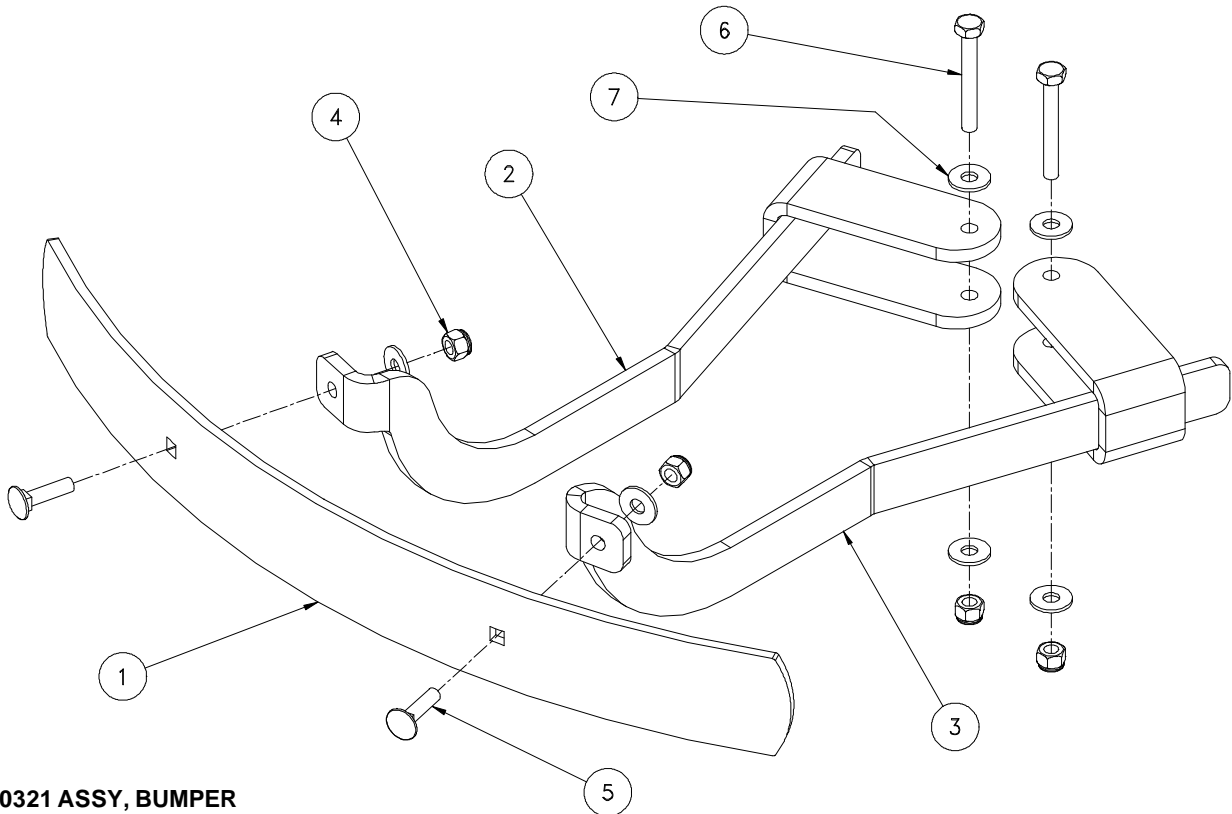
0105-00577 ASSY., HOOD LATCH

<u>ITEM</u>	<u>PART NO.</u>	<u>DESCRIPTION</u>	<u>QTY.</u>
1	0311-00811	BRACKET, HOOD LATCH	1
2	0521-00145	NUT, HEX - #8 - 32 ZINC PLATED	4
3	0521-00071	NUT, KEPS - 1/4 - 20 UNC	1
4	0522-00097	BOLT, HEX HD - 1/4-20 UNC GRADE 5 ZINC PLATED	1
5	0523-00110	SCREW, MACH - #8 - 32 X 1/2 ZINC PLATED	4
6	0524-00109	WASHER, LOCK - #8 ZINC PLATED	4
7	0528-00231	BUSHING	1
8	0605-00245	KIT, LATCH HOOD	1
9	1010-00029	INSTRUCTION, HOOD LATCH KIT INSTALLATION (THIS DOCUMENT - NOT SHOWN)	1



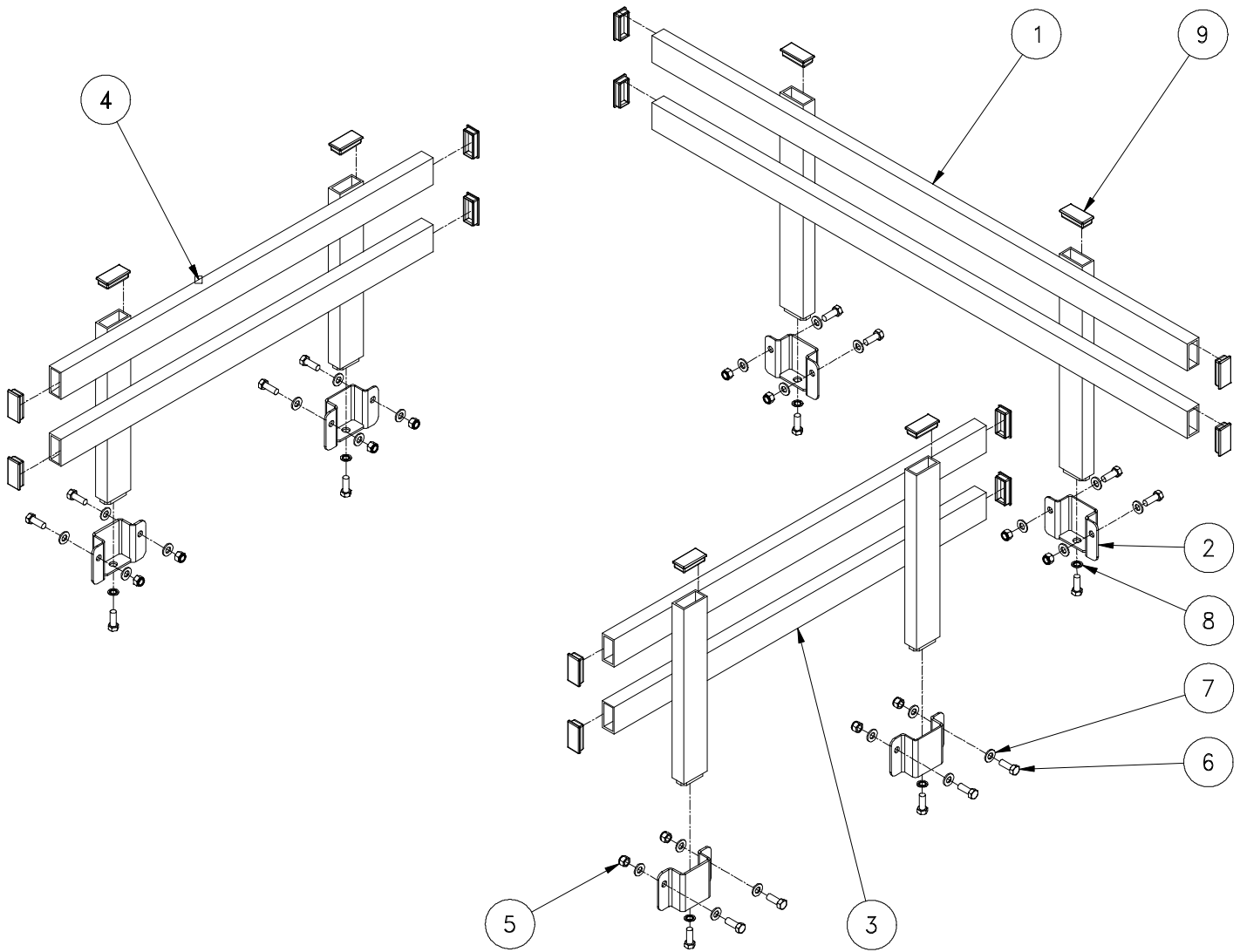
0106-00676 ASSY, CHARGING CORDSET KIT

ITEM	PART NO.	DESCRIPTION	QTY.
1	0310-00867	BAG, CHARGING CORDSET	1
2	0606-00266	CORDSET, CHARGING, 25'-14/3 W/GFCI PLUG	1



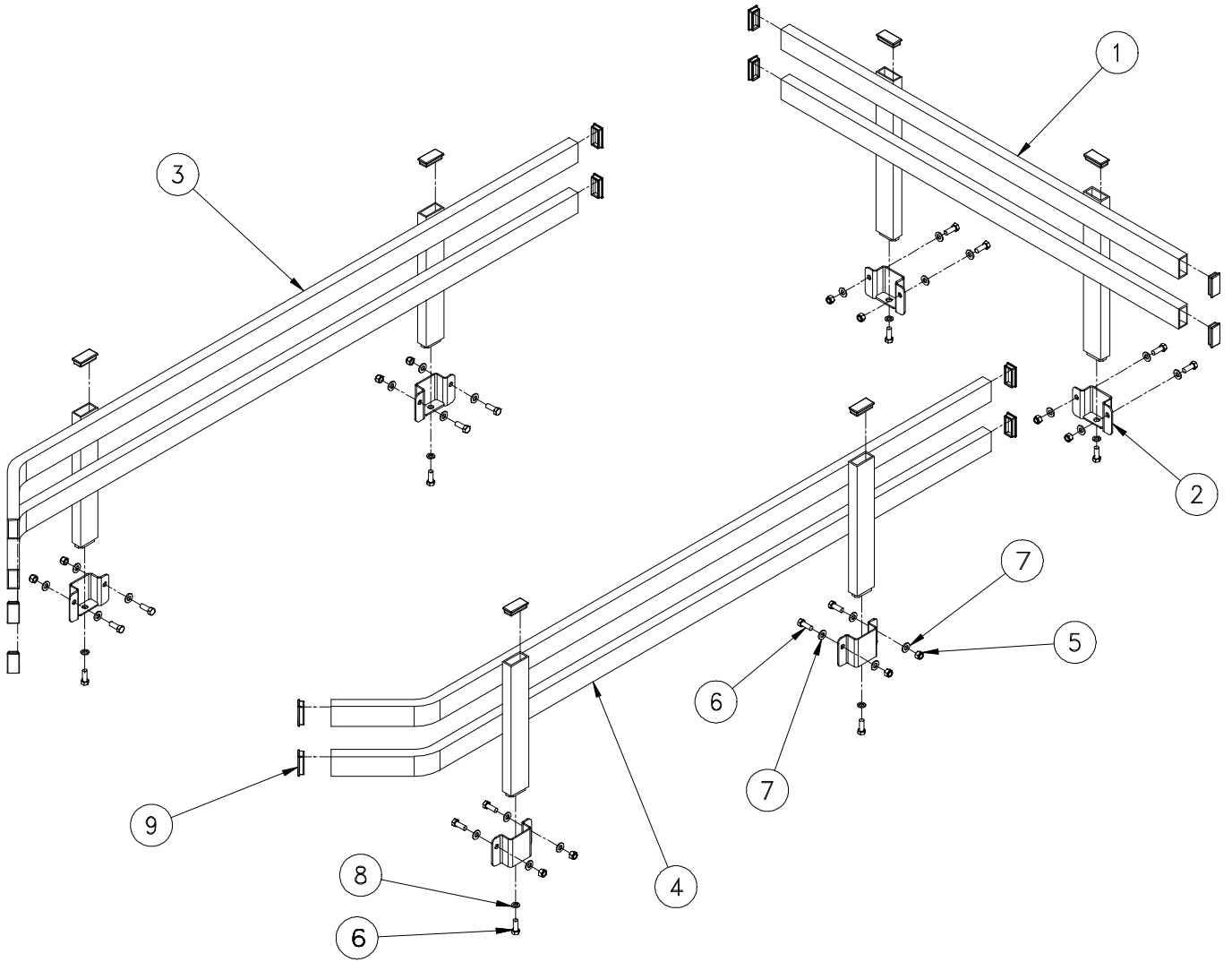
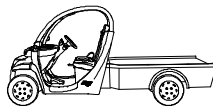
0105-00321 ASSY, BUMPER

ITEM	PART NO.	DESCRIPTION	QTY.
1	0105-00431	ASSY, BUMPER W/CHROME	1
2	0205-00084	WLD, BUMPER MOUNT - RH	1
3	0205-00085	WLD, BUMPER MOUNT - LH	1
4	0521-00050	NUT, HEX - NYLOCK 1/4-20 UNC GR5 ZINC PLATED	4
5	0522-00184	BOLT, CARRIAGE - 1/4 - 20 UNC X 1.00 LG GR 5 CHROMED	2
6	0522-00207	BOLT, HEX HD 1/4-20 X 2.00 UNC GR 5 ZINC PLATED	2
7	0524-00062	WASHER, FLAT - 1/4 .282 ID X .715 OD X .063 THK ZINC PLATED	6



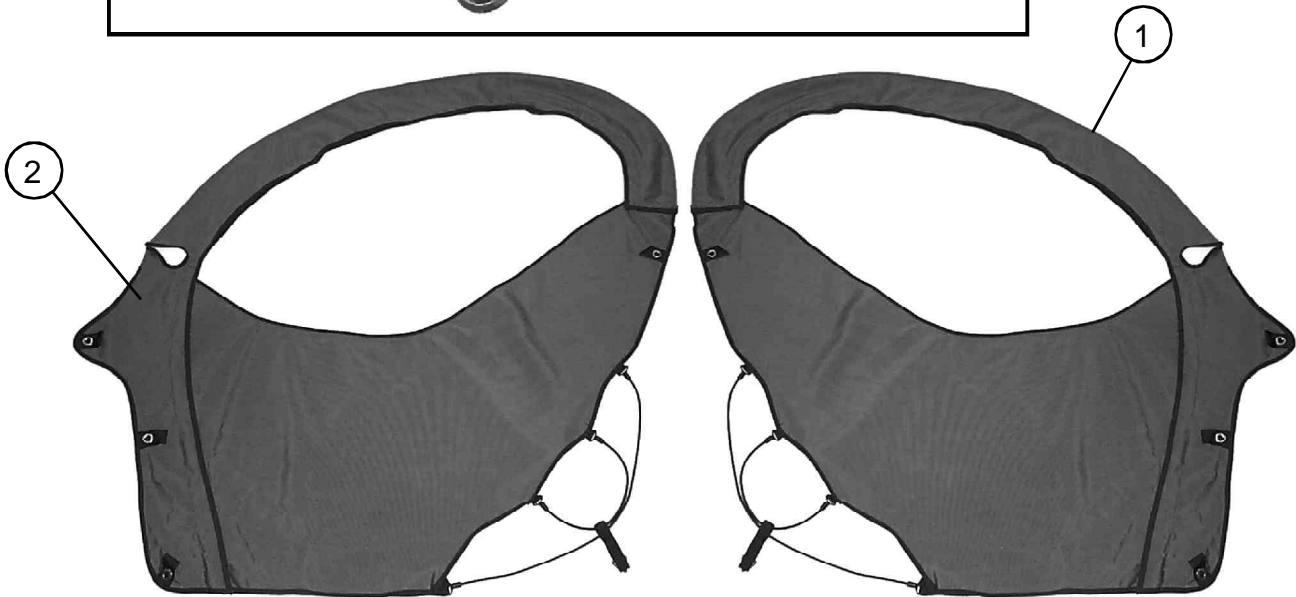
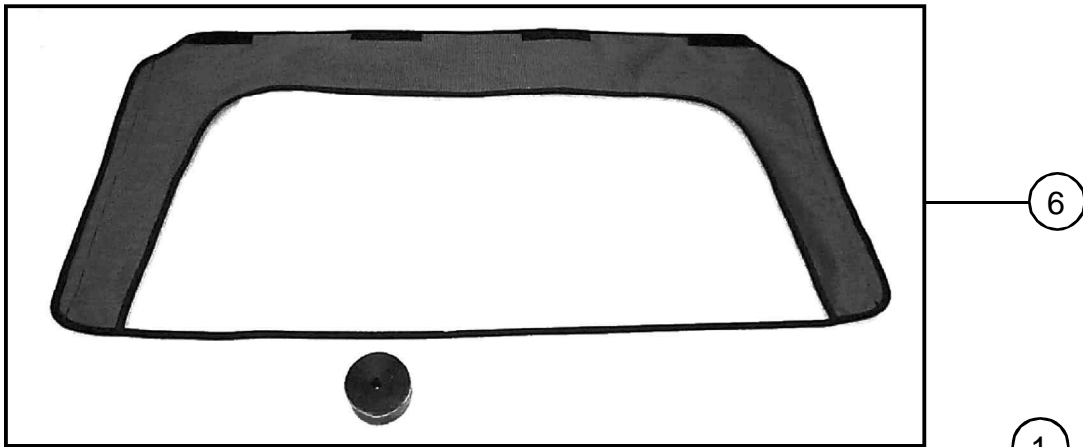
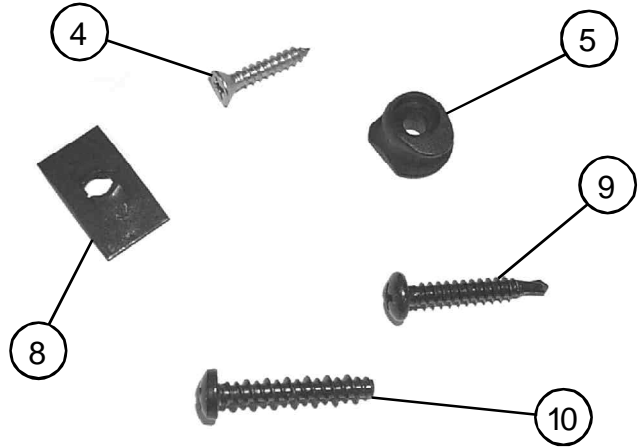
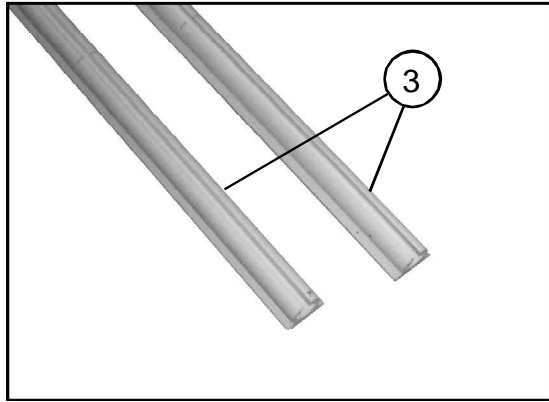
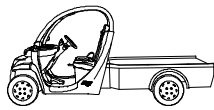
0105-00119 ASSY, SIDE KIT - SM UTILITY

<u>ITEM</u>	<u>PART NO.</u>	<u>DESCRIPTION</u>	<u>QTY.</u>
1	0205-00039	WLD, REAR - SIDE KIT	1
2	0205-00040	WLD, STAKE POCKET	6
3	0205-00069	WLD, SIDE - LH SIDE KIT	1
4	0205-00070	WLD, SIDE - RH SIDE KIT SM UTILITY	1
5	0521-00010	NUT, HEX - NYLOCK 3/8-16 UNC GR5 ZN	12
6	0522-00063	BOLT, HEX - HHCS 3/8-16 UNC x 1.0 LG GR 5 ZINC PLATED	18
7	0524-00009	WASHER, FLAT - 3/8 SAE .406 ID X .8125 OD X .080 THK ZN	24
8	0524-00178	WASHER, LOCK 3/8 INTERNAL TOOTH ZINC PLATED	6
9	0610-00024	CAP, TUBE - PLASTIC 1 X 2 BLACK	18



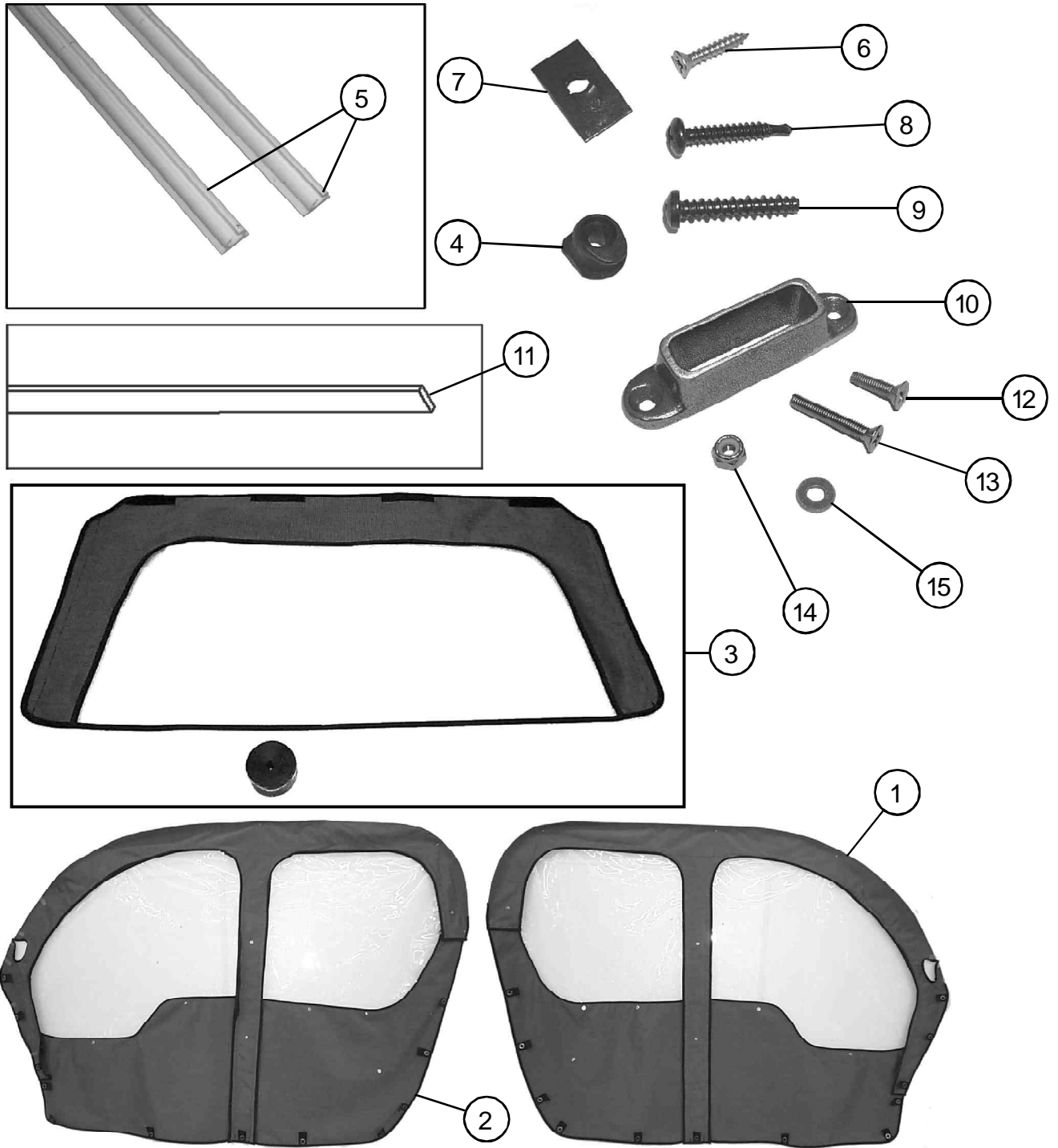
0105-00062 ASSY, SIDE KIT

<u>ITEM</u>	<u>PART NO.</u>	<u>DESCRIPTION</u>	<u>QTY.</u>
1	0205-00039	WLD, REAR - SIDE KIT	1
2	0205-00040	WLD, STAKE POCKET	6
3	0205-00123	WLD, SIDE - RH SIDE KIT	1
4	0205-00124	WLD, SIDE - LH SIDE KIT	1
5	0521-00010	NUT, HEX - NYLOCK - 3/8-16 UNC GR5 ZINC PLATED	12
6	0522-00063	BOLT, HEX - HHCS 3/8-16 UNC x 1.0 LG GR 5 ZINC PLATED	18
7	0524-00009	WASHER, FLAT - 3/8 SAE .406 ID X .8125 OD X .080 THK ZINC PLATED	24
8	0524-00178	WASHER, LOCK - INTERNAL STAR ZINC PLATED ZINC PLATED	6
9	0610-00024	CAP, TUBE - PLASTIC 1 X 2 BLACK	18



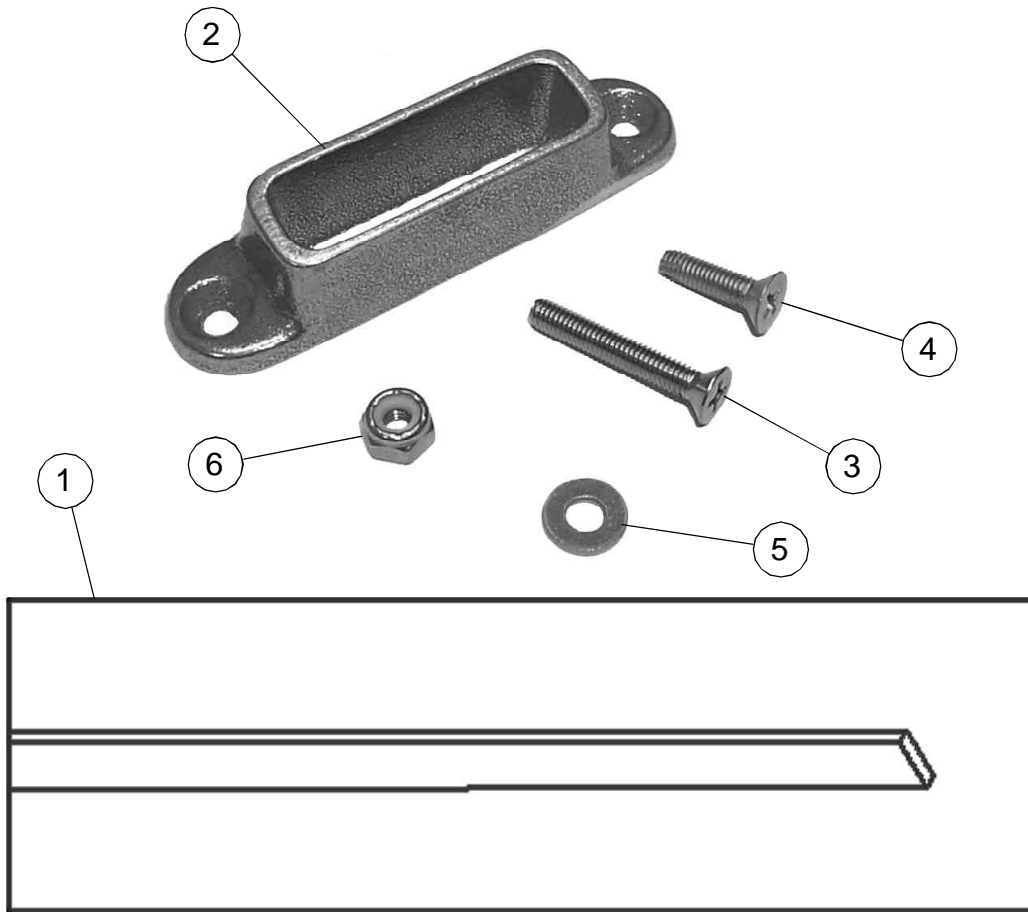
0107-00813 ASSY, SOFT WEATHER ENCLOSURES - 2 PASS

ITEM	PART NO.	DESCRIPTION	QTY.
1	0107-00814	ASSY, SOFT ENCLOSURES - 2 PASS - RH	1
2	0107-00815	ASSY, SOFT ENCLOSURES - 2 PASS - LH	1
3	0310-01101	EXTRUSION, AWNING - WHITE - 80"	2
4	0523-00057	SCREW, C'SNK PHIL FLAT - #6 X 3/4 STAINLESS	28
5	0523-00298	RECEIVER, PLASTIC - BLACK	14
6	0107-00543	ASSY, REAR WINDOW - TWEED	1
7	0307-01118	BAG, STORAGE - 2 PASSENGER CHAP DOORS (NOT SHOWN)	1
8	0521-00161	NUT, SPEED #10 PHOS & OIL	14
9	0523-00190	SCREW, TEK - PHIL PAN #8 - 18 X 1 #2 PT	14
10	0523-00177	SCREW, HI LOW - PHIL PAN #10 X 1 BLACK Z	2
11	1053-00077	INSTRUCTIONS, 2 PASS SOFT WEATHER ENCLOSURE ACCESSORY INSTALLATION (NOT SHOWN)	1



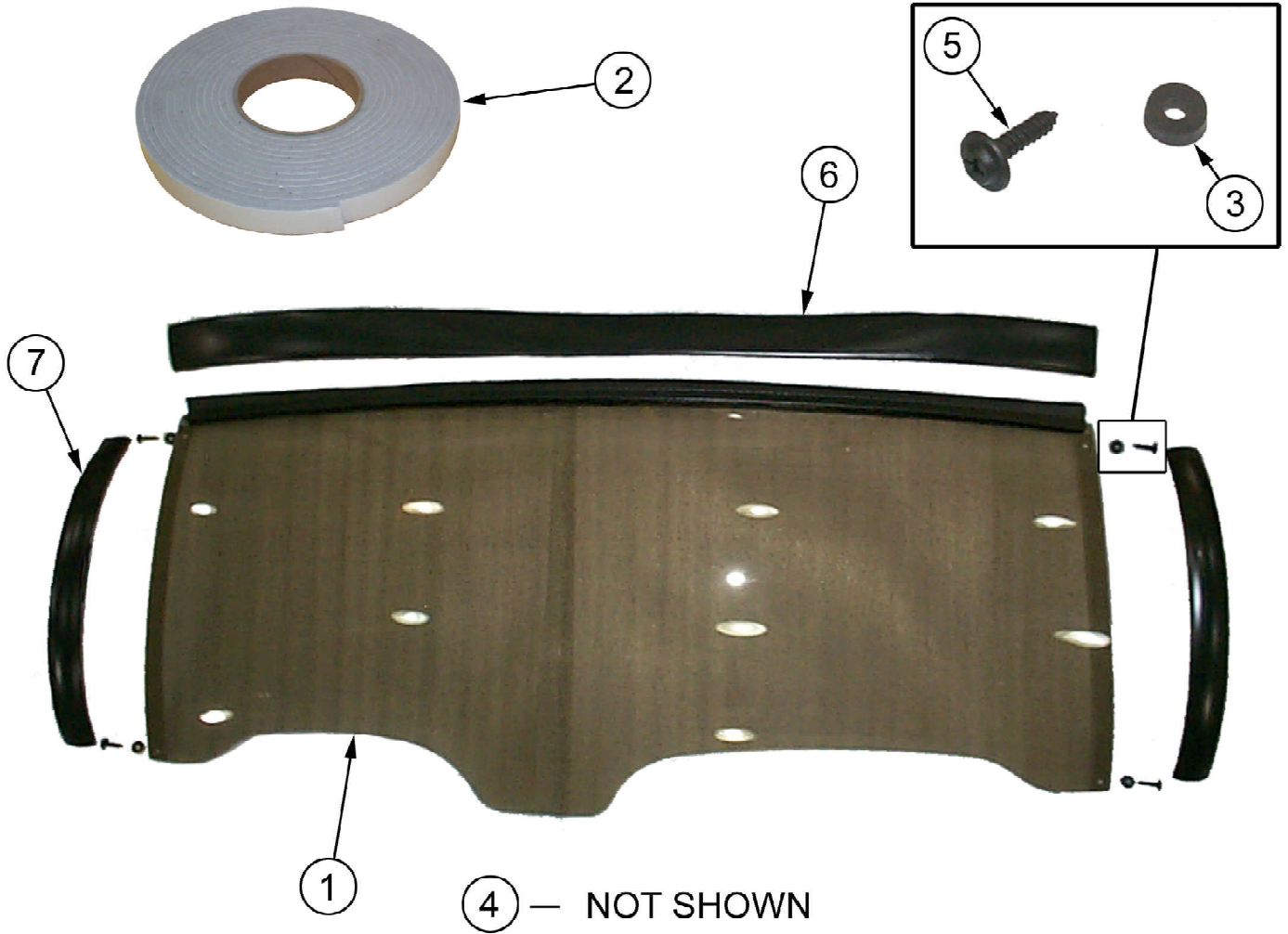
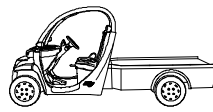
0107-00322 ASSY, SOFT WEATHER ENCLOSURES - 4P - TWEED

ITEM	PART NO.	DESCRIPTION	QTY.
1	0107-00541	ASSY, SOFT ENCLOSURE - RH 4 PASS TWEED	1
2	0107-00542	ASSY, SOFT ENCLOSURE - LH 4 PASS TWEED	1
3	0107-00543	ASSY, REAR WINDOW - TWEED	1
4	0523-00298	RECEIVER, PLASTIC - BLACK	24
5	0310-00637	EXTRUSION, SPECIAL - AWNING (120.00" RAW LENGTH)	2
6	0523-00057	SCREW, C'SNK PHIL FLAT - # 6 X 3/4 STAINL	40
7	0521-00161	NUT, SPEED #10 PHOS & OIL	16
8	0523-00190	SCREW, TEK - PHIL PAN # 8 - 18 X 1 #2 PT	16
9	0523-00177	SCREW, HI LOW - PHIL PAN #10 X 1 BLACK Z	8
10	0307-01159	SOCKET, CHAP SUPPORT - WHITE	4
11	0307-01169	SUPPORT, CHAP - 4 PASS 53.25"	2
12	0523-00337	SCREW, 10-32 x 3/4 PH FL HD - SS	4
13	0523-00339	SCREW, 10-32 x 1.25" PH FL HD - SS	4
14	0521-00340	NUT, 10-32 NYLOCK - SS	4
15	0524-00341	WASHER, # 10 FLAT - SS	4



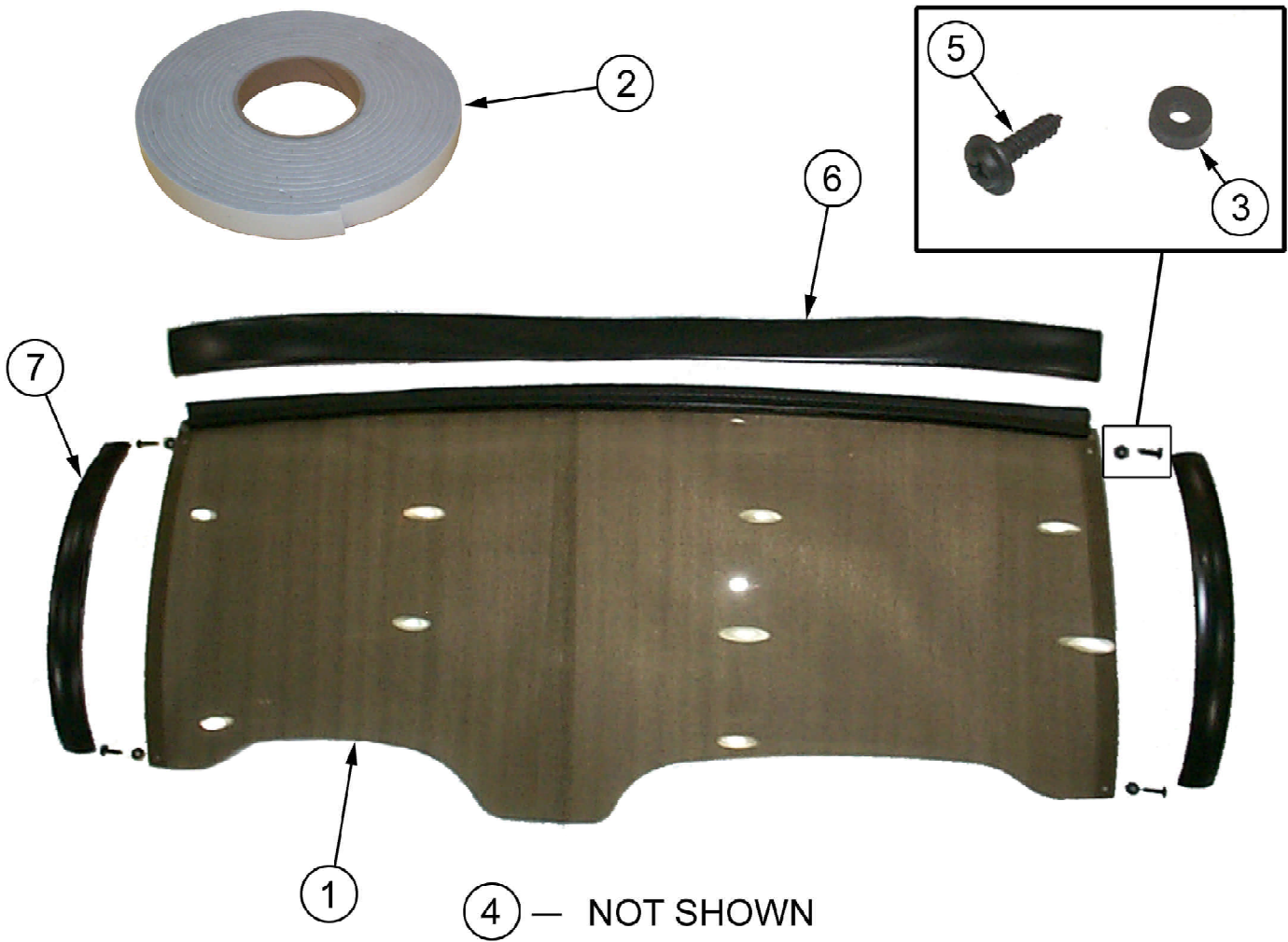
1205-00020 KIT, CHAP SUPPORT RETROFIT - SERVICE

<u>ITEM</u>	<u>PART NO.</u>	<u>DESCRIPTION</u>	<u>QTY.</u>
1	0307-01169	SUPPORT, CHAP - 4 PASS 53.25"	2
2	0307-01159	SOCKET, CHAP SUPPORT - ALUMINUM	4
3	0523-00339	SCREW, 10-32 x 1.25" PH FL HD - SS	4
4	0523-00337	SCREW, 10-32 x 3/4 PH FL HD - SS	4
5	0524-00341	WASHER, #10 FLAT - SS	4
6	0521-00340	NUT, 10-32 NYLOCK - SS	4
7	1010-00146	INSTRUCTIONS, CHAP SUPPORT RETROFIT - SERVICE (NOT SHOWN)	1



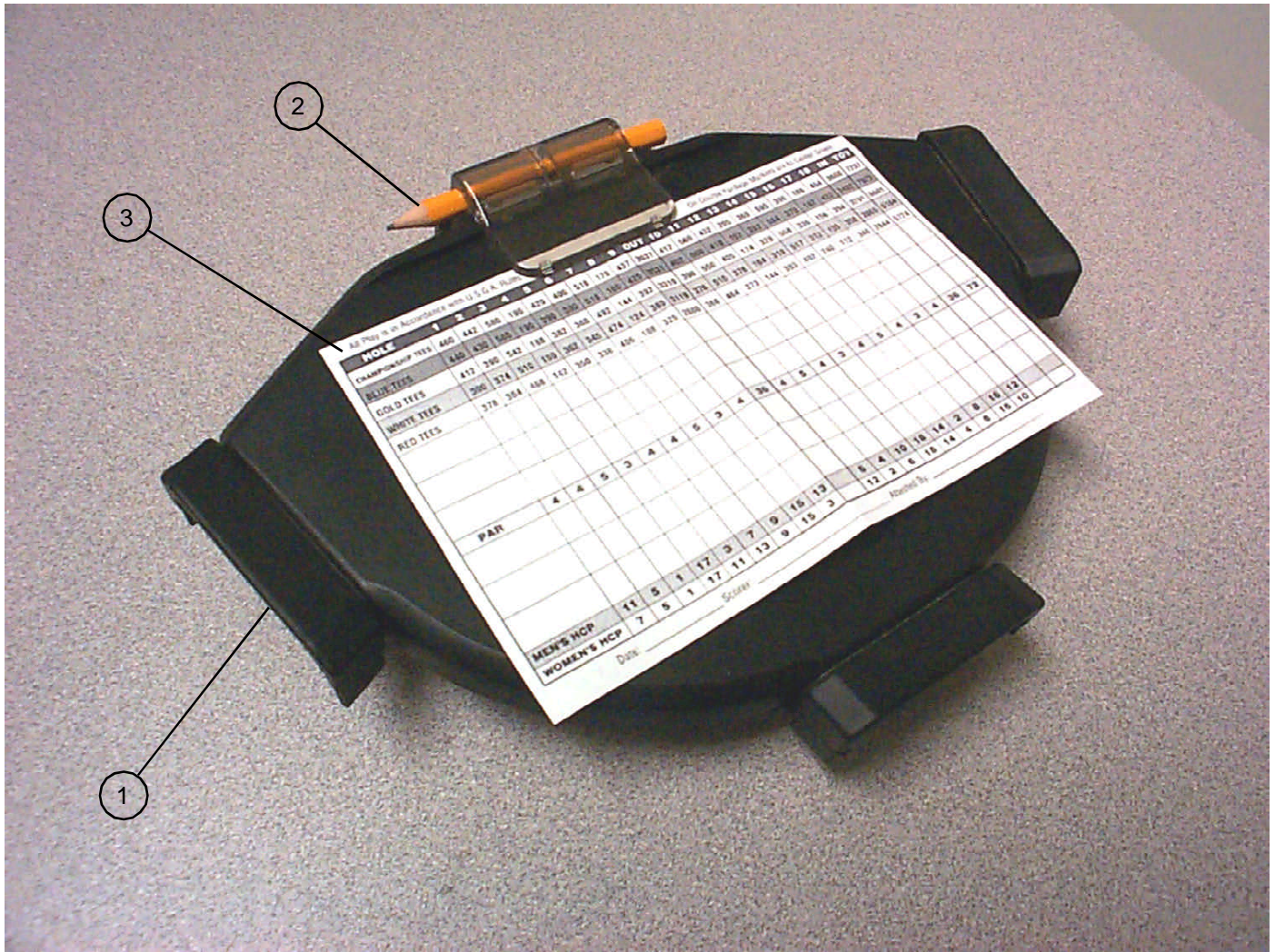
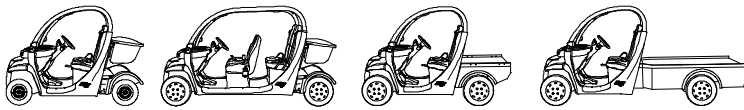
0105-00958 ASSY, REAR WINDOW - 2P HARD DOOR-SERVICE

<u>ITEM</u>	<u>PART NO.</u>	<u>DESCRIPTION</u>	<u>QTY.</u>
1	0105-00651	ASSY, REAR WINDOW- 2 PASS	1
2	0317-01081	STRIP, VINYL - FOAM - 13.5"	2
3	0524-00324	WASHER, FLAT - NEOPRENE - 0.5" OD - 0.18	4
4	1010-00091	INSTRUCTIONS, ACRYLIC REAR WINDOW INSTALLATION	1
5	0523-00308	SCREW, REAR WINDOW MOUNTING	4
6	0317-00935	MOLDING, REAR WINDOW, TOP - 38"	1
7	0317-00936	MOLDING, REAR WINDOW, SIDE - 15"	2



0105-00959 ASSY, REAR WINDOW - 4 PASS HARD DOOR - SERVICE

<u>ITEM</u>	<u>PART NO.</u>	<u>DESCRIPTION</u>	<u>QTY.</u>
1	0105-00628	ASSY, REAR WINDOW- 4 PASS	1
2	0317-01081	STRIP, VINYL - FOAM - 13.5"	2
3	0524-00324	WASHER, FLAT - NEOPRENE - 0.5" OD - 0.18	4
4	1010-00091	INSTRUCTIONS, ACRYLIC REAR WINDOW INSTALLATION	1
5	0523-00308	SCREW, REAR WINDOW MOUNTING	4
6	0317-00935	MOLDING, REAR WINDOW, TOP - 38"	1
7	0317-00936	MOLDING, REAR WINDOW, SIDE - 15"	2



0107-00527 CENTER - STEERING WHEEL WITH CLIP

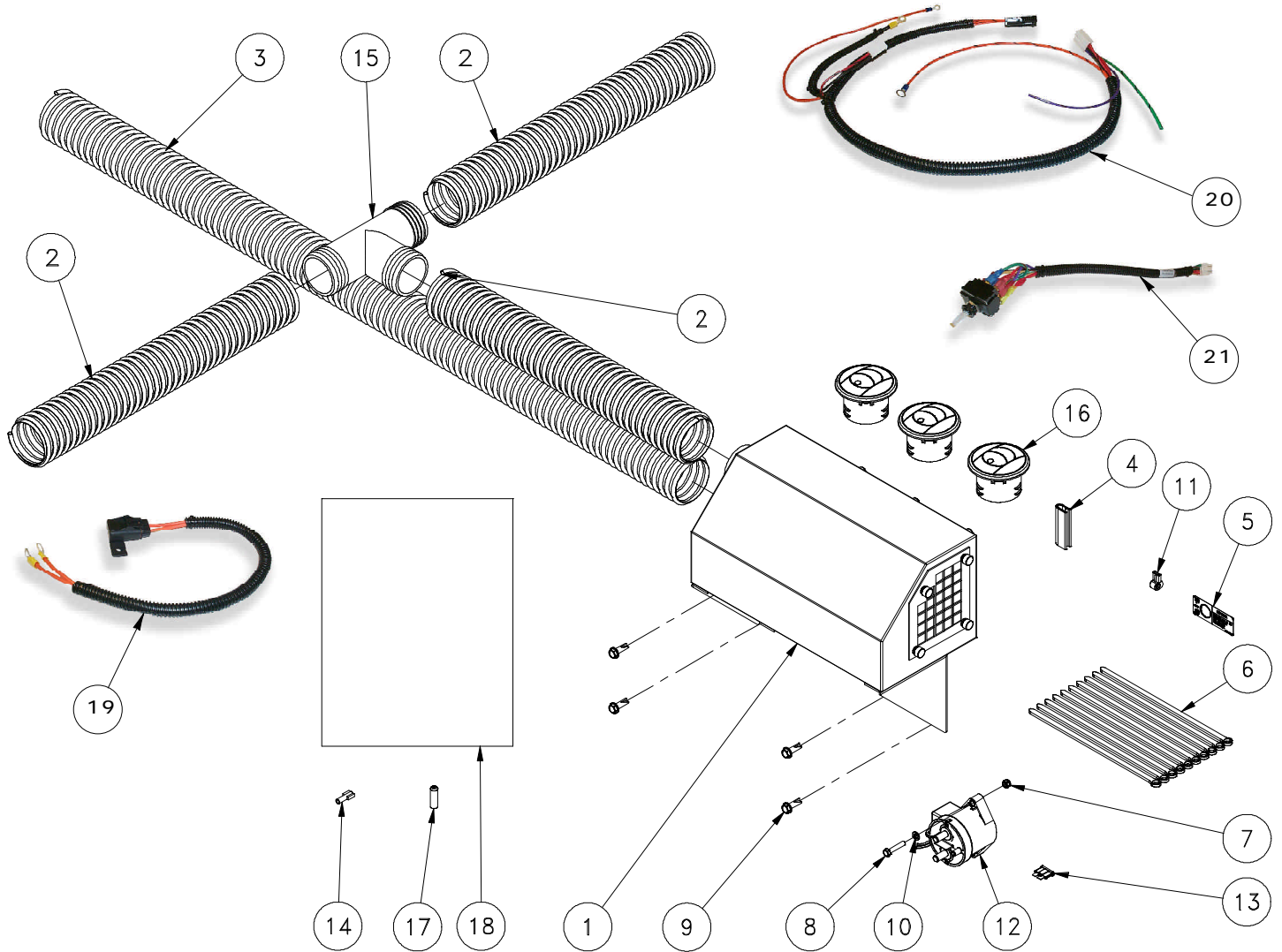
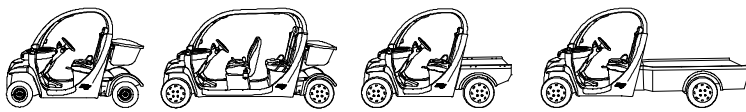
<u>ITEM</u>	<u>PART NO.</u>	<u>DESCRIPTION</u>	<u>QTY.</u>
1	0107-00527	CENTER - STEERING WHEEL WITH CLIP	1
2	*	PENCIL	1
3	*	SCORE CARD	1

* STARRED ITEMS ARE SHOWN FOR REFERENCE ONLY. STARRRED ITEMS ARE NOT AVAILABLE SEPARATELY



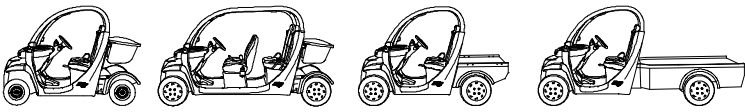
0116-00691 ASSY, WHEEL - CHROME -10" - COMPLETE-12MM

<u>ITEM</u>	<u>PART NO.</u>	<u>DESCRIPTION</u>	<u>QTY.</u>
1	0116-00692	ASSY, WHEEL - 10" - CHROME	1
2	0521-00284	NUT, LUG - CHROME - 12 MM	4
3	0116-00805	ASSY, CHROME CENTER CAP WITH DECAL	1



0107-00587 ASSY, HEATER / DEFROSTER UNIT

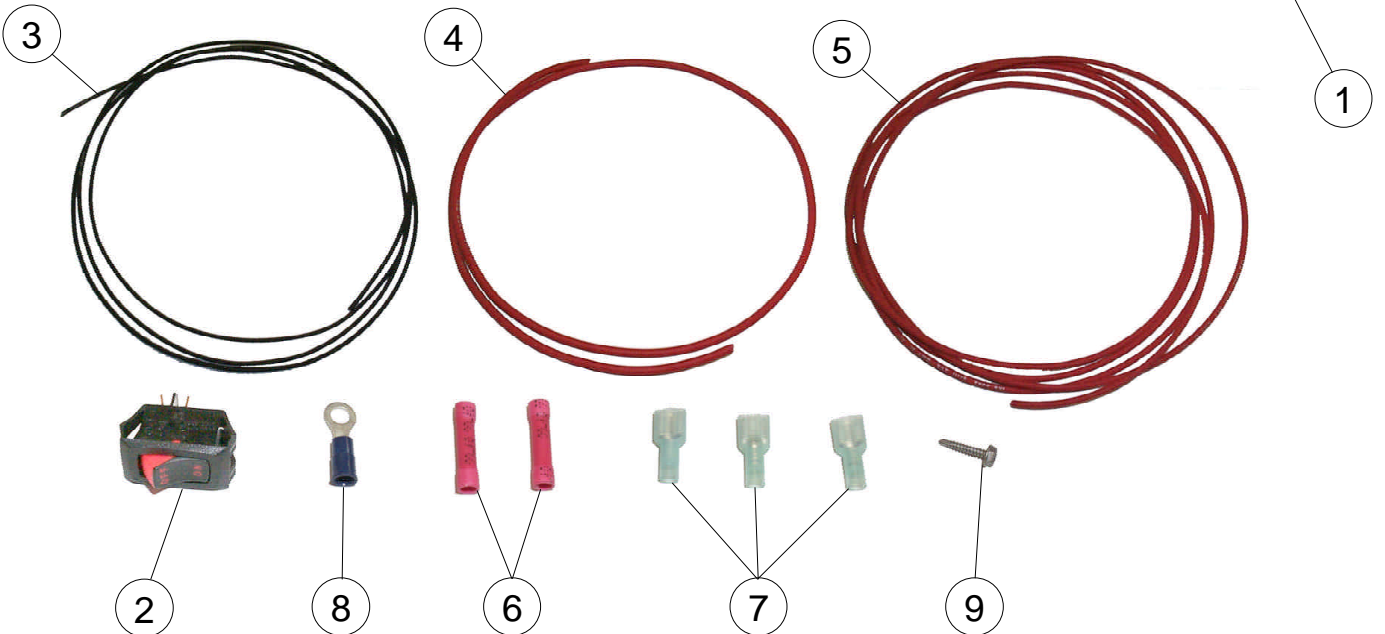
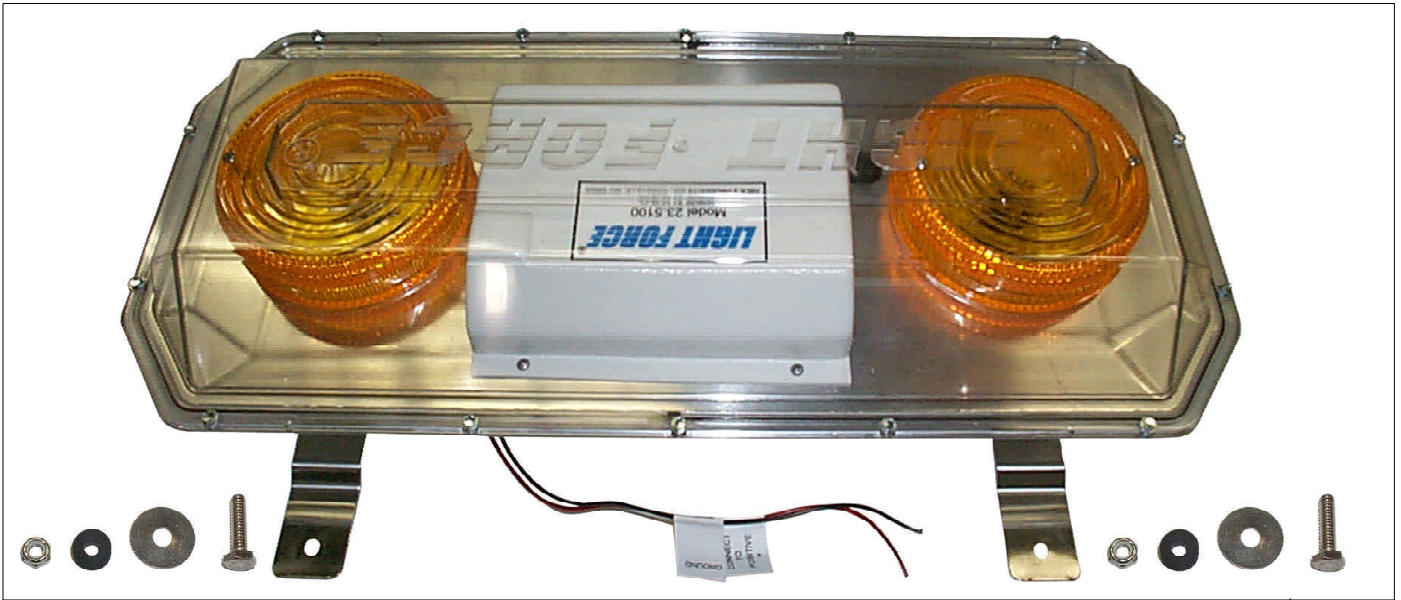
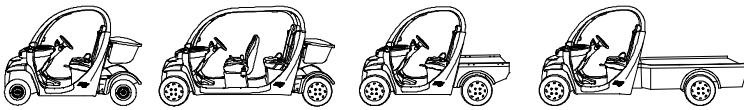
<u>ITEM</u>	<u>PART NO.</u>	<u>DESCRIPTION</u>	<u>QTY.</u>
1	0107-00579	ASSY, HEATER/DEFROSTER UNIT	1
2	0310-00848	HOSE, 2" HEATER DUCT, 16" LENGTH	3
3	0310-00848	HOSE, 2" HEATER DUCT, 40" LENGTH	1
4	0317-01063	EDGE TRIM, 2" LONG DUCT HOSE PROTECTION	1
5	0350-01037	DECAL, HEATER DEFROSTER TOGGLE SWITCH	1
6	0510-00137	TIE, CABLE W/#10 MOUNT HOLE 9" BLACK	10
7	0521-00272	NUT, HEX - NYLOCK M5 X 0.8 ZN	1
8	0522-00270	BOLT, HEX - M8 X 0.8 X 25 LG HHCS - GR 8.8 ZN	1
9	0523-00032	SCREW, HEX - WHSD 1/4 X .75 ZN	4
10	0524-00271	WASHER, FLAT - M5	1
11	0606-00176	CONNECTOR, T - WIRE	2
12	0606-00259	CONTACTOR, HEATER-12VDC COIL	1
13	0606-00293	FUSE, ATC-10	1
14	0606-00403	TERMINAL, SPADE - FEMALE INSULATED 1/4", 22-18 GA	1
15	0607-00251	TEE, PLASTIC - 2" BARBED	1
16	0607-00284	VENT, ROUND - 2" BARBED	3
17	0610-00360	CAP, SCREW THREAD, BLACK VINYL - .25 X 1	1
18	1010-00024	INSTRUCTION, HEATER / DEFROSTER INSTALL	1
19	0106-00670	ASSY, WIRE HARNESS - HEATER FUSE	1
20	0106-00671	ASSY, WIRE HARNESS - HEATER / DEFROSTER	1
21	0106-00595	ASSY, HEATER CONTROL SWITCH	1



No Photo

AUDIO ACCESSORY

<u>ITEM</u>	<u>PART NO.</u>	<u>DESCRIPTION</u>	<u>QTY.</u>
1	0106-00585	ASSY, WIRE HARNESS - AUDIO PANEL	1
2	0521-00240	NUT, BINDING POST # 8-32 GRAY	8
3	0523-00241	SCREW, BINDING POST #8-32 X .375 WHITE	8
4	1010-00030	INSTRUCTION, STEREO INSTALLATION	1
5	0304-00458	CONSOLE, RADIO ROOF MOUNTED	1



0153-01010 ASSY, LIGHTBAR - AMBER

ITEM	PART NO.	DESCRIPTION	QTY.
1	0606-00191	ASSY, LIGHTBAR - SECURITY - AMBER	1
2	0606-00136	SWITCH, TOGGLE, SPST, HEAD LAMP	1
3	0306-01262	WIRE, LIGHTBAR GROUND - 7'	1
4	0306-01263	WIRE, LIGHTBAR SUPPLY - 7'	1
5	0306-01264	WIRE, LIGHTBAR SWITCH SUPPLY - 16"	1
6	0606-00096	CONNECTOR, BUTT - INSULATED 22-18	2
7	0606-00403	TERMINAL, SPADE - FEMALE INSULATED 1/4"	3
8	0606-00095	TERMINAL, RING - INSULATED 22-18 1/4"	1
9	0523-00176	SCREW, DRILL - HEX WASHER HEAD #6 X 3/4	1
10	1010-00141	INSTRUCTIONS, AMBER LIGHT BAR - INSTALLATION (Not Shown)	1

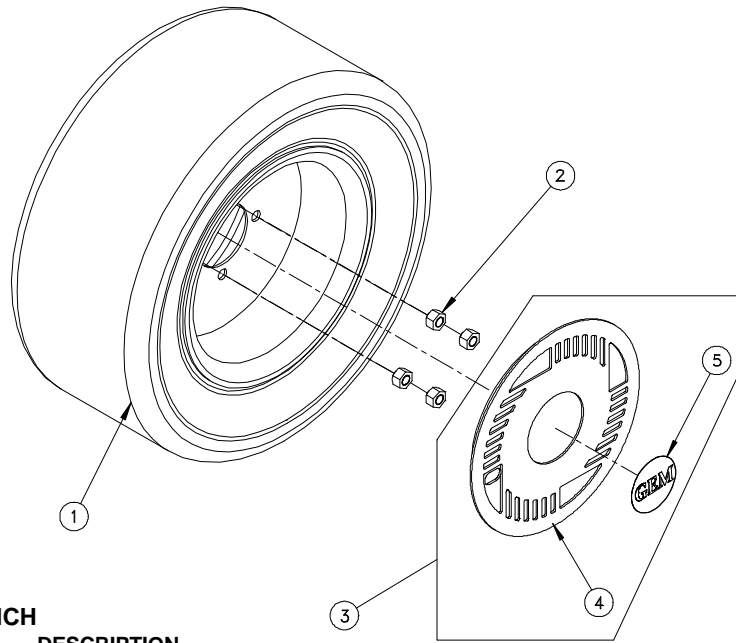


Global Electric Motorcars, LLC

A DaimlerChrysler Company

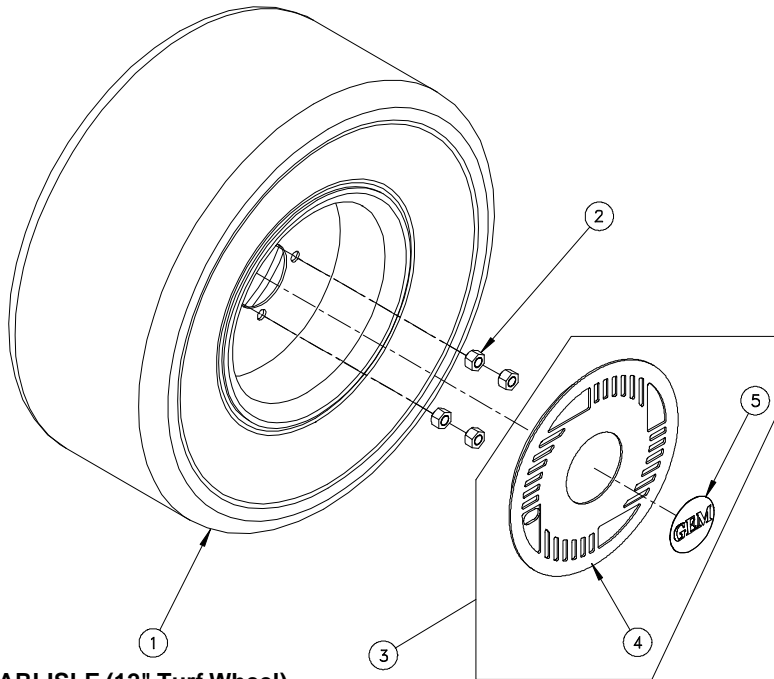
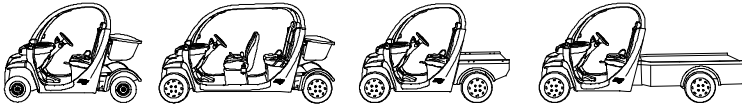
Parts Catalog

SECTION 11 - OPTIONS



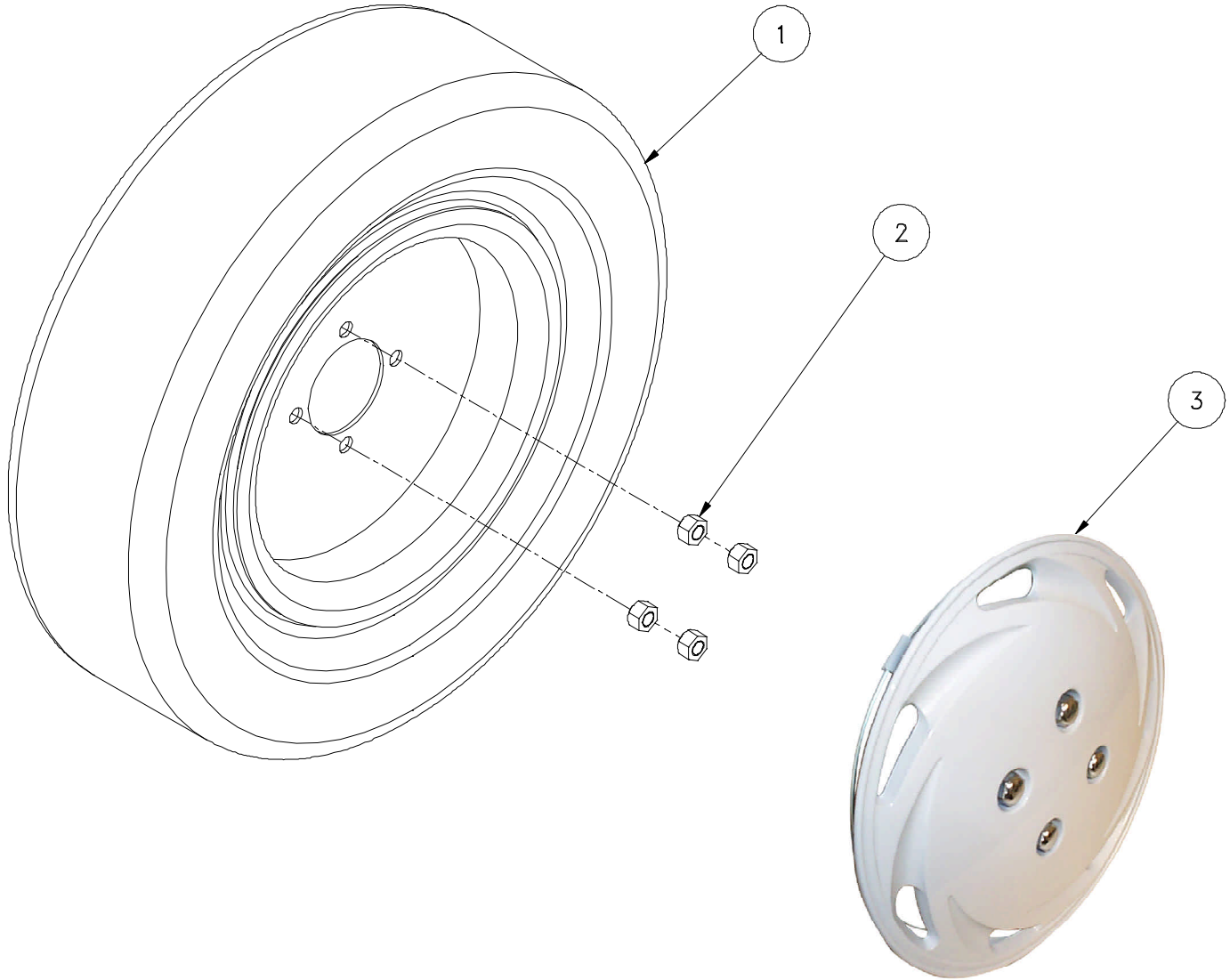
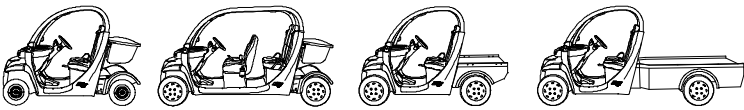
WHEEL OPTION - 10 INCH

ITEM	PART NO.	DESCRIPTION	QTY.
1	0116-00298	ASSY, WHEEL - 10 INCH (TIRE SPECS: MANUFACTURE: GOODYEAR MODEL: DOUBLE EAGLE SIZE & PROFILE: 205/50 - 10 LOAD INDEX: (665 lbs. @ 30 PSI) TIRE PLY: 4 PLY	1
2	0521-00214	NUT, LUG M12 -1.5 (FOR V.I.N. 018998 AND UP)	4
2	0521-00060	NUT, LUG M10 -1.5 (FOR V.I.N. 018997 AND LOWER)	4
3	0116-00806	ASSY, HUBCAP WITH DECAL - 10"	1
4	0616-00157	COVER, WHEEL 10"	1
5	0350-00749	DECAL, HUBCAP 10"	1



WHEEL OPTION - 10" - CARLISLE (12" Turf Wheel)

ITEM	PART NO.	DESCRIPTION	QTY.
1	0116-00755	ASSY, WHEEL - 10" - CARLISLE (12" Turf Wheel) TIRE SPECS: MANUFACTURE: CARLISLE MODEL: USA TRAIL SIZE & PROFILE: 20.5 X 8.0-10 N77 LOAD INDEX: (905 lbs. @ 35 PSI) TIRE PLY: 2 PLY	1
2	0521-00214	NUT, LUG M12 -1.5 (FOR V.I.N. 018998 AND UP)	4
2	0521-00060	NUT, LUG M10 -1.5 (FOR V.I.N. 018997 AND LOWER)	4
3	0116-00806	ASSY, HUBCAP WITH DECAL - 10"	1
4	0616-00157	COVER, WHEEL 10"	1
5	0350-00749	DECAL, HUBCAP 10"	1



ASSY, WHEEL OPTION -12 INCH

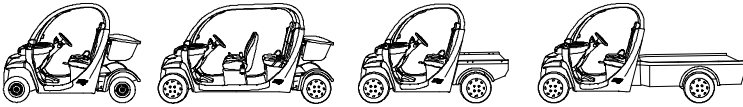
<u>ITEM</u>	<u>PART NO.</u>	<u>DESCRIPTION</u>	<u>QTY.</u>
1	0116-00294	ASSY, WHEEL - 12" (TIRE SPECS: MANUFACTURE: NANKANG MODEL: NY361 SIZE & PROFILE: 165/70R12 LOAD INDEX: (908 lbs. @ 32 PSI) TIRE PLY: SIDEWALL - 1 PLY POLYESTER, TREAD - 1 PLY POLYESTER, 2 PLIES STEEL	1
2	0521-00214	NUT, LUG M12 -1.5 (FOR V.I.N. 018998 AND UP)	4
2	0521-00060	NUT, LUG M10 -1.5 (FOR V.I.N. 018997 AND LOWER)	4
3	0616-00183	COVER, WHEEL - 12 INCH (NEW STYLE WHEEL COVER)	1

NOTE: THE 12 INCH WHEEL OPTION IS STANDARD FOR THE FOUR PASSENGER, LONGBACK, AND SHORTBACK, BUT OPTIONAL FOR THE TWO PASSENGER GEM VEHICLE



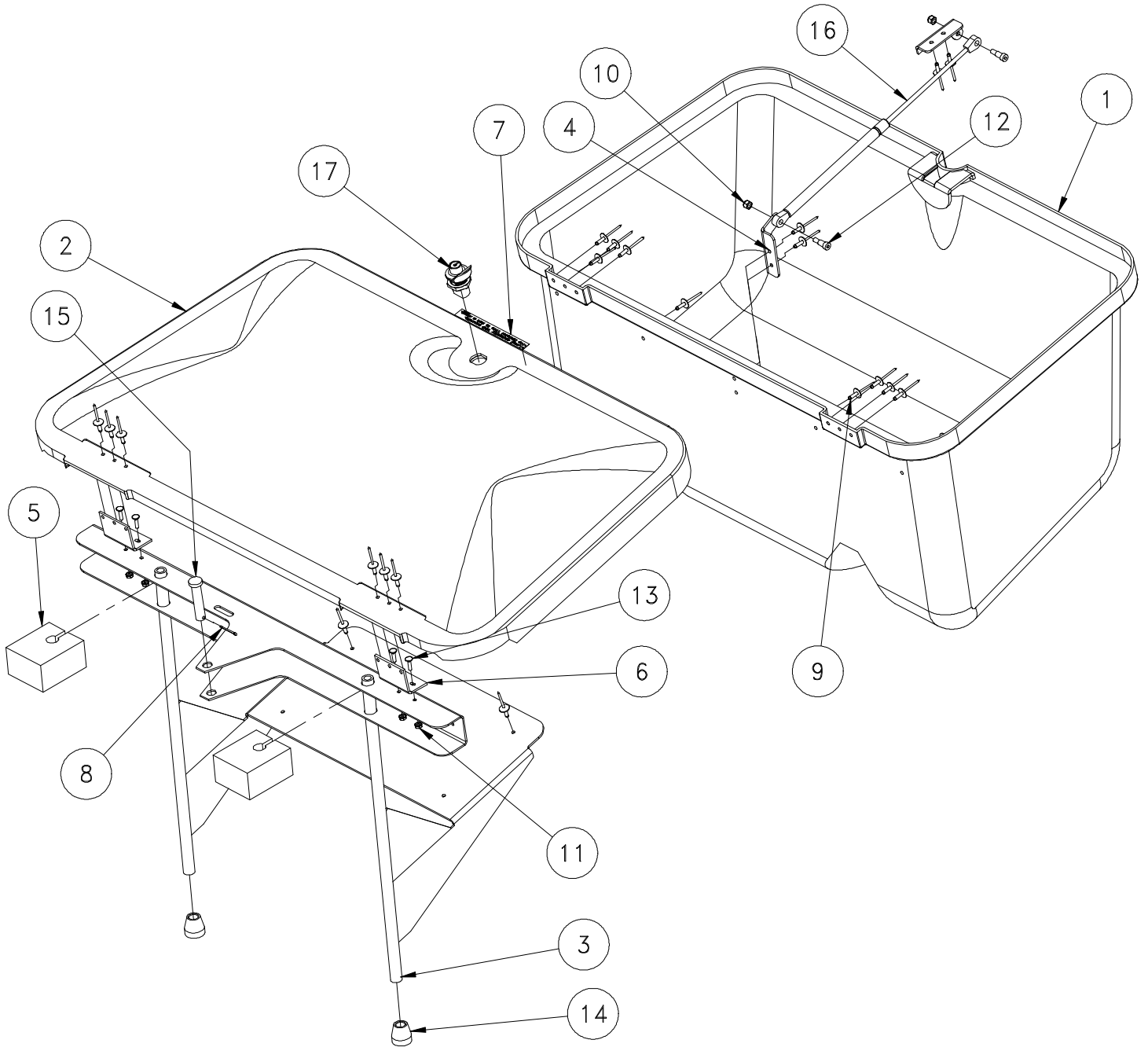
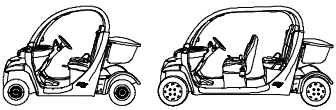
OPTION, WHEELS, CHROME & SILVER (NEW FOR 2003)

<u>ITEM</u>	<u>PART NO.</u>	<u>DESCRIPTION</u>	<u>QTY.</u>
1	0105-00834	ASSY, WHEEL 10" - CHROME (New For 2003)	1
2	0105-00835	ASSY, WHEEL 10" - SILVER (New for 2003)	1



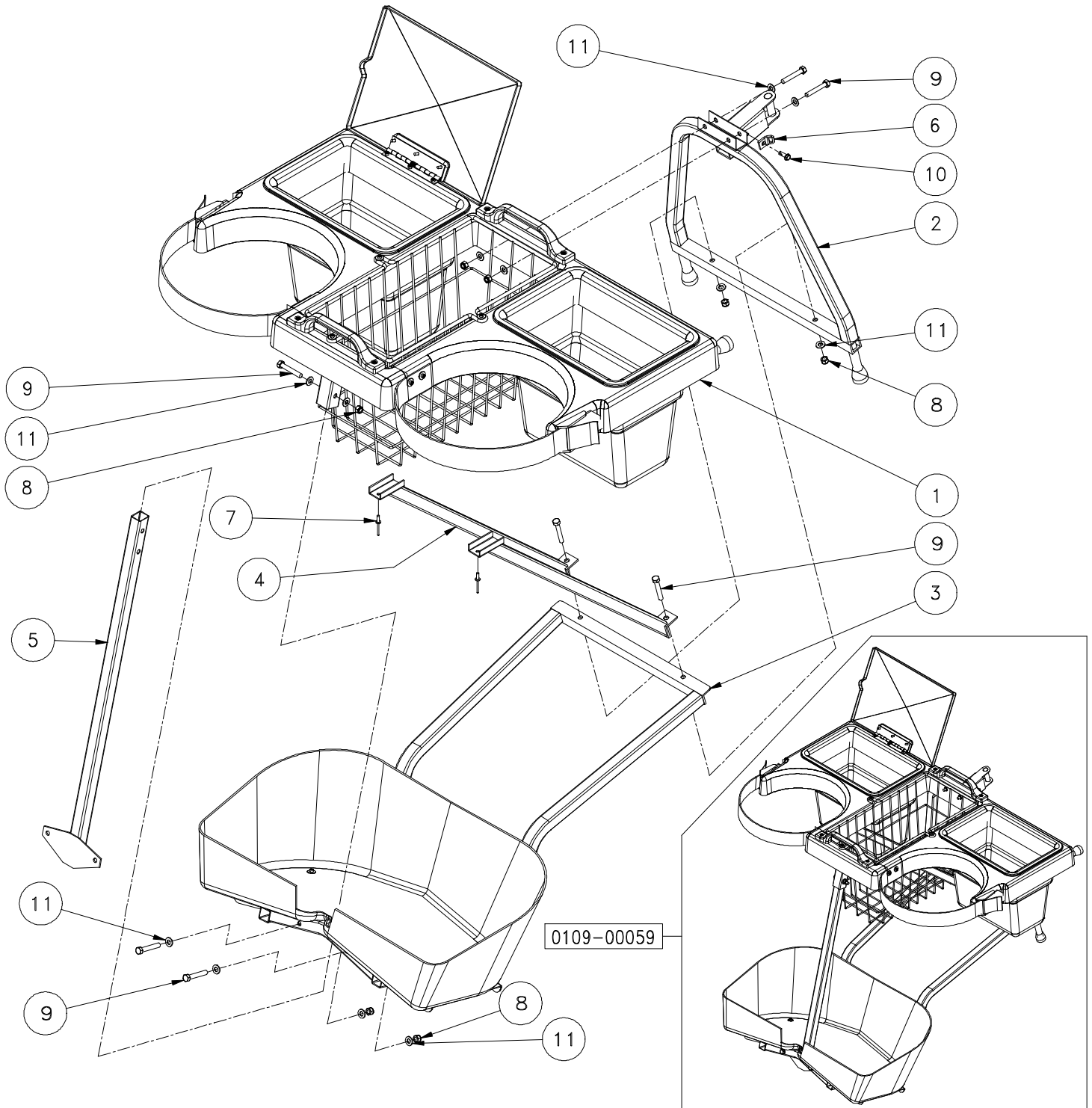
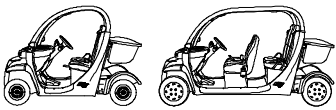
OPTION, WHEELS, CHROME & SILVER (NEW FOR 2003)

<u>ITEM</u>	<u>PART NO.</u>	<u>DESCRIPTION</u>	<u>QTY.</u>
1	0105-00836	ASSY, WHEEL 12" - CHROME (New for 2003)	1
2	0105-00837	ASSY, WHEEL 12" - SILVER (New for 2003)	1



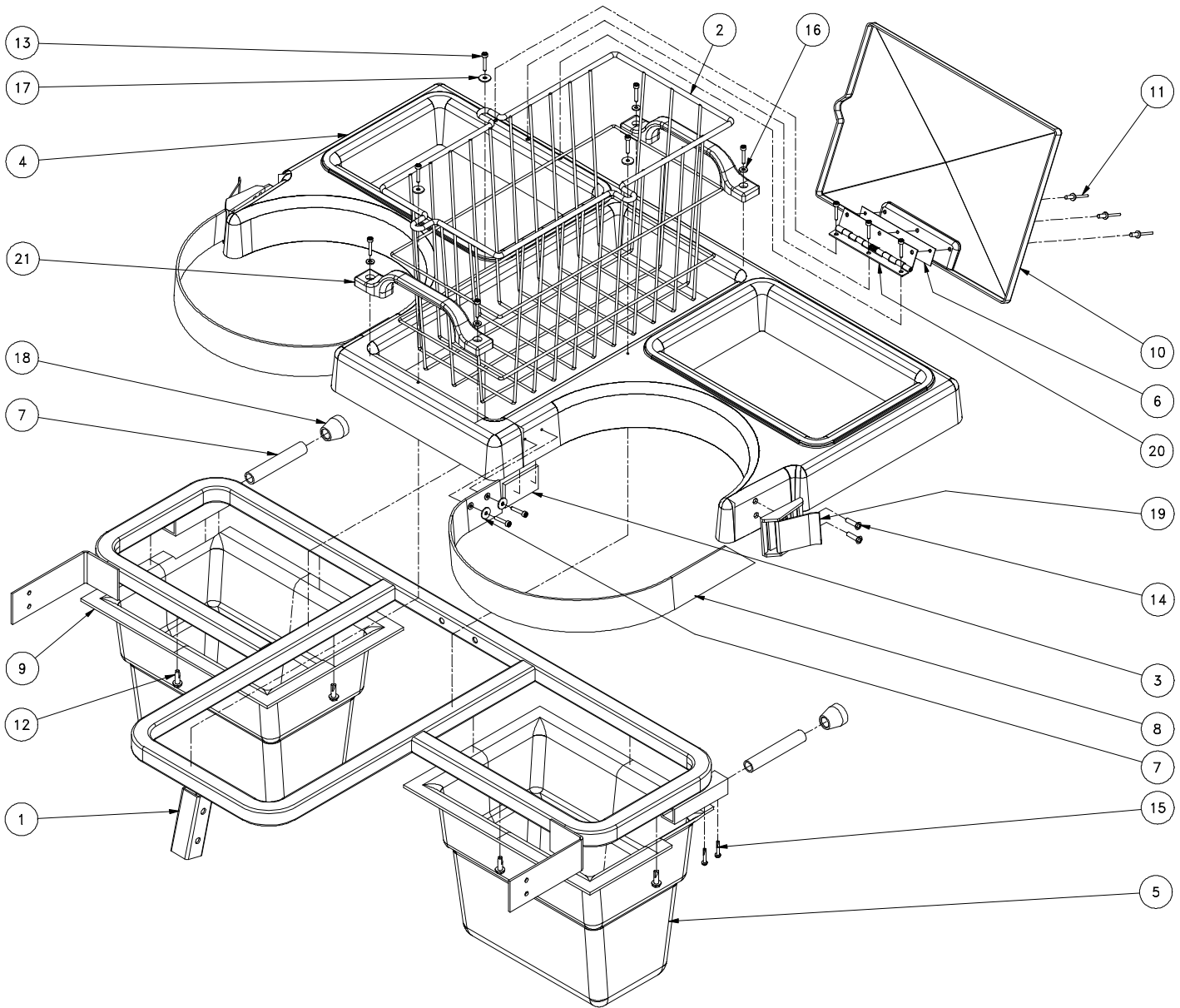
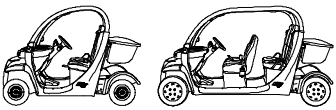
0109-00113 ASSY, SWIVELPACK - ABS

<u>ITEM</u>	<u>PART NO.</u>	<u>DESCRIPTION</u>	<u>QTY.</u>
1	0109-00340	ASSY, SWIVEL PACK TUB	1
2	0109-00484	ASSY, SWIVELPACK LID	1
3	0209-00077	WLD, SWIVEL PAK MOUNT	1
4	0309-00601	MNT, CYLINDER - PACK	2
5	0309-00639	SUPPORT, FOAM BLOCK	2
6	0309-00656	SUPPORT, HINGE	2
7	0350-00767	DECAL, LOAD LIMIT	1
8	0510-00007	PIN, COTTER	1
9	0520-00186	RIVET, POP - ALUM 3/16 GRP .375 - .50 LG FLANGE	16
10	0521-00050	NUT, HEX - NYLOCK - 1/4-20 UNC GR5 ZINC PLATED	2
11	0521-00209	NUT, EXTERNAL TOOTH LOCK 10-24 UNC ZINC	4
12	0522-00185	BOLT, SHOULDER - 5/16 X 1 LG 1/4 - 20 UNC SST	2
13	0523-00210	SCREW, MACHINE - CARRIAGE 10-24 UNC ZINC	4
14	0609-00054	BOOT, RUBBER - PAK LEG	2
15	0609-00075	PIN, CLEVIS 1/2" DIA x 2.5" LG - SWIVEL PACK	1
16	0609-00165	STRUT, GAS - PACK	1
17	0609-00193	LATCH, SLAM - BLACK - KEYED	1



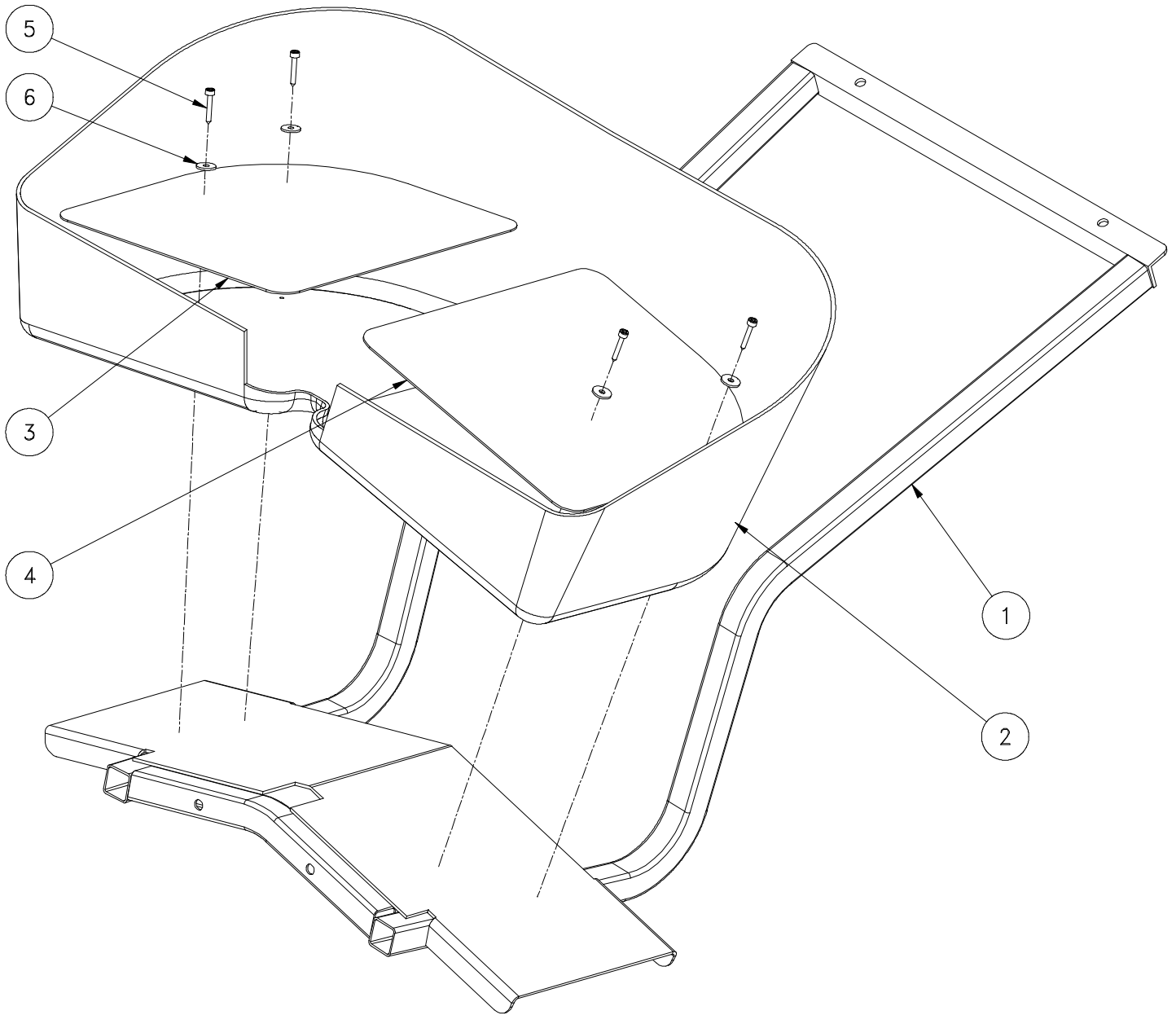
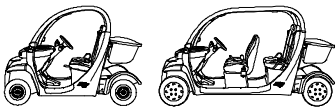
0109-00059 - ASSY, LINKSPAK

<u>ITEM</u>	<u>PART NO.</u>	<u>DESCRIPTION</u>	<u>QTY.</u>
1	0109-00075	ASSY, UPPER FRAME LINKSPAK -	1
2	0109-00095	ASSY, FRAME MOUNT - LINKSPAK	1
3	0109-00099	ASSY, LOWER FRAME - LINKSPAK	1
4	0209-00050	WLD, BRACE LINKSPAK	2
5	0209-00064	WLD, BRACE TUBE - LINKSPAK	1
6	0309-01190	PLATE, ANCHOR - STRAP	1
7	0520-00158	RIVET, POP - 3/16 ALUM .25 GRIP X .375 FLANGE DIA. BLACK FINISH	2
8	0521-00017	NUT, HEX - NYLOCK 5/16-18 UNC GR5 ZN	8
9	0522-00051	BOLT, HEX - HHCS 5/16 - 18 UNC X 2.0 GR 5 ZINC PLATED	8
10	0523-00032	SCREW, HEX - WHSD 1/4 X .75 ZN - -	1
11	0524-00003	WASHER, FLAT - 5/16 SAE .344 ID X .688 OD X .065 THK ZN	16



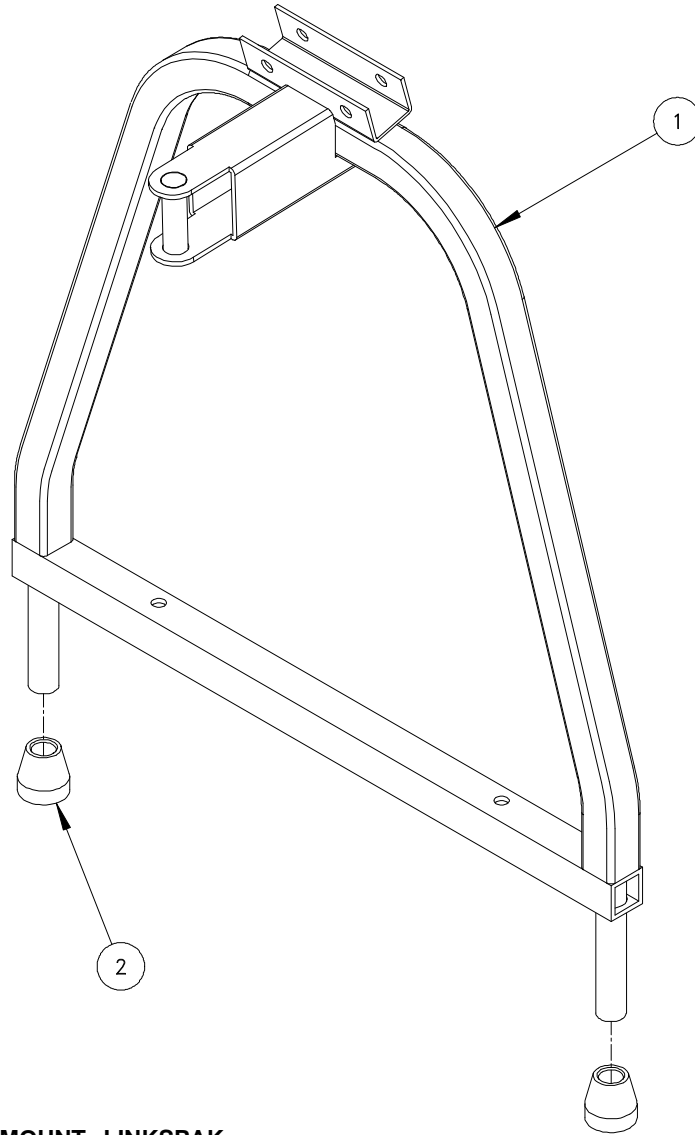
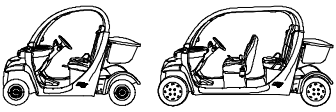
0109-00075 - ASSY, UPPER FRAME LINKSPAK

<u>ITEM</u>	<u>PART NO.</u>	<u>DESCRIPTION</u>	<u>QTY.</u>
1	0209-00048	WLD, FRAME - UPPER	1
2	0609-00166	BASKET, WIRE LINKSPAK	1
3	0309-00399	SUPPORT, LYNXPAK COVER	2
4	0309-00402	COVER, UPPER FRAME - LYNXPAK - -	1
5	0309-00403	BASKET, PLASTIC RH LINKS PAK	1
6	0309-00431	MAT, HINGE BACKING	1
7	0309-00640	TUBE, STABALIZER LINKSPAK	2
8	0309-00641	STRAP, BAG HOLDER LINKSPAK	2
9	0309-00644	BASKET, PLASTIC LH LINKS PAK	1
10	0309-00774	LID - LINKSPAK	1
11	0520-00158	RIVET, POP - 3/16 ALUM .25 GRIP X .375 FLANGE DIA. BLACK FINISH	3
12	0523-00032	SCREW, HEX - WHSD 1/4 X .75 ZN - -	8
13	0523-00064	SCREW, PHIL PAN HEAD - #8 X 1 SLF THRD - BLACK ZNC 18-8 SELF THREADING -	14
14	0523-00074	SCREW, T/S TYPE A OVAL PHIL # 12 X 1 LG 18-8 SST -	4
15	0523-00176	SCREW, HEX - WHSD #6 x 3/4 ZINC PLATED - -	4
16	0524-00159	WASHER, FLAT .192 ID X .437 OD X .050 THK STL ZN BLK	4
17	0524-00189	WASHER, FLAT .187 ID X .625 OD X .062 THK STL ZN BLK	7
18	0609-00054	BOOT, RUBBER - PAK LEG	2
19	0609-00167	BUCKLE, BAG RETAINER LINKSPAK	2
20	0609-00168	HINGE, LID - LINKSPAK	1
21	0609-00169	HANDLE, LINKSPAK - BLACK	2



0109-00099 ASSY, LOWER FRAME - LINKSPAK

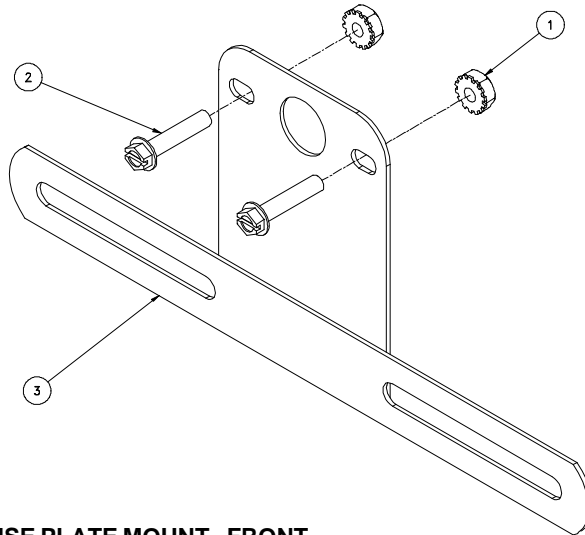
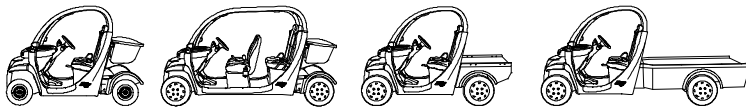
<u>ITEM</u>	<u>PART NO.</u>	<u>DESCRIPTION</u>	<u>QTY.</u>
1	0209-00049	WLD, FRAME - LOWER LINKSPAK	1
2	0309-00404	BASE, BAG - LYNXPAK	1
3	0309-00642	PAD, BAG HOLDER - LH	1
4	0309-00643	PAD, BAG HOLDER - RH	1
5	0523-00064	SCREW, PHIL PAN HEAD- #8 X 1 SLF THRD - BLACK ZNC 18-8 SELF THREADING -	4
6	0524-00189	WASHER, FLAT .187 ID X .625 OD X .062 THK STL ZN BLK	4



0109-00095 ASSY, FRAME MOUNT - LINKSPAK

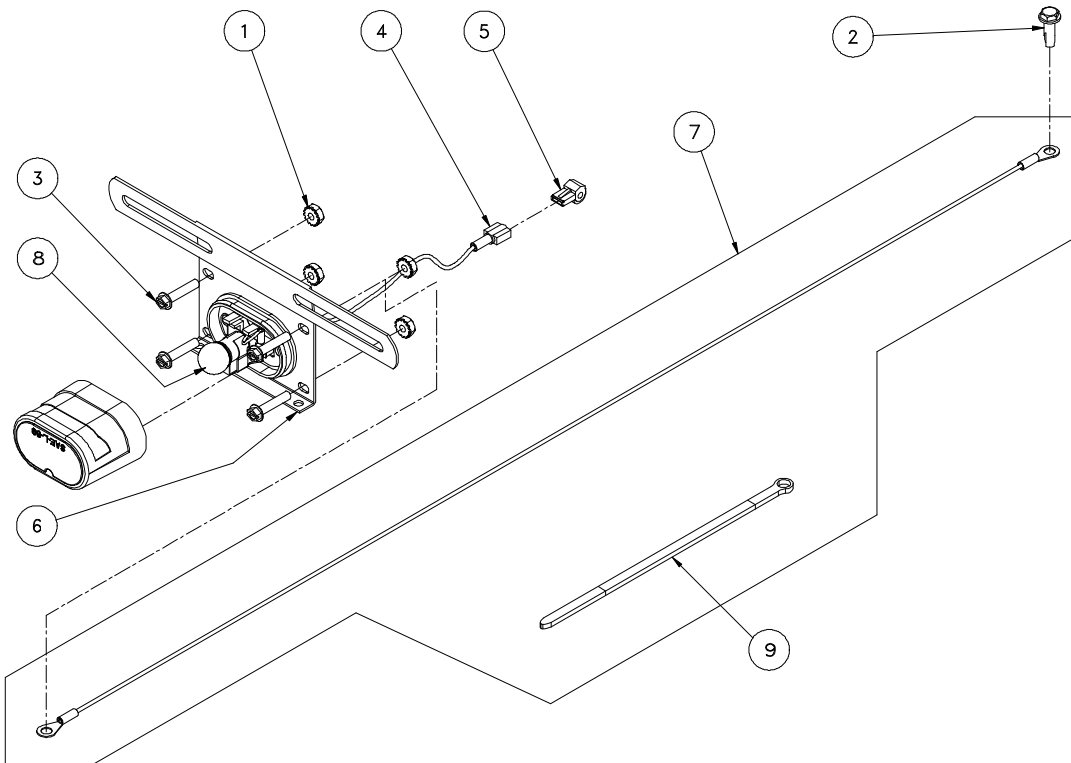
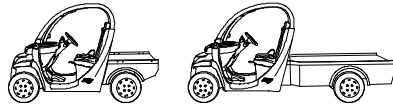
<u>ITEM</u>	<u>PART NO.</u>	<u>DESCRIPTION</u>
1	0209-00047	WLD, FRAME MOUNT - LINKSPAK
2	0609-00054	BOOT, RUBBER - PAK LEG

<u>QTY.</u>
1
2



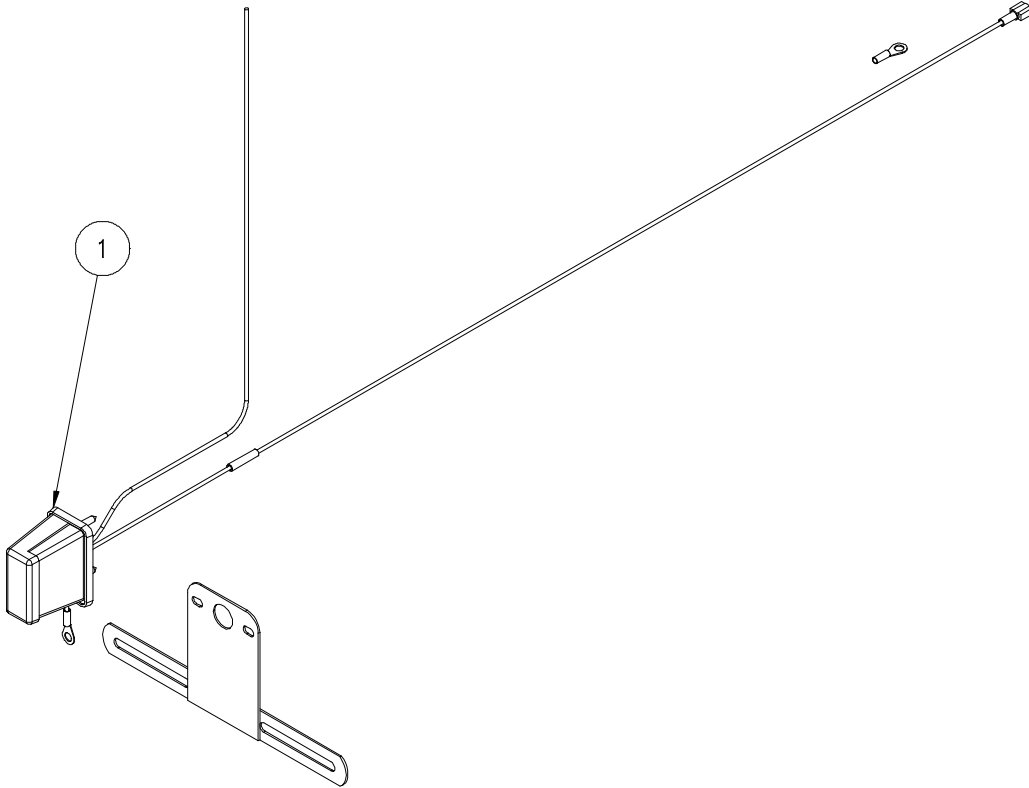
0107-00422 ASSY, LICENSE PLATE MOUNT - FRONT

<u>ITEM</u>	<u>PART NO.</u>	<u>DESCRIPTION</u>	<u>QTY.</u>
1	0521-00014	NUT, KEPS - 12 - 24 UNC ZINC PLATED GR 5 ZINC PLATED	2
2	0523-00134	SCREW, MACHINE #12-24 x 1 HEX SLOT HEAD	2
3	0607-00180	BRACKET, LICENSE PLATE - FRONT	1



0105-00934 ASSY, LICENSE PLATE BRACKET LIGHT - COMPLETE

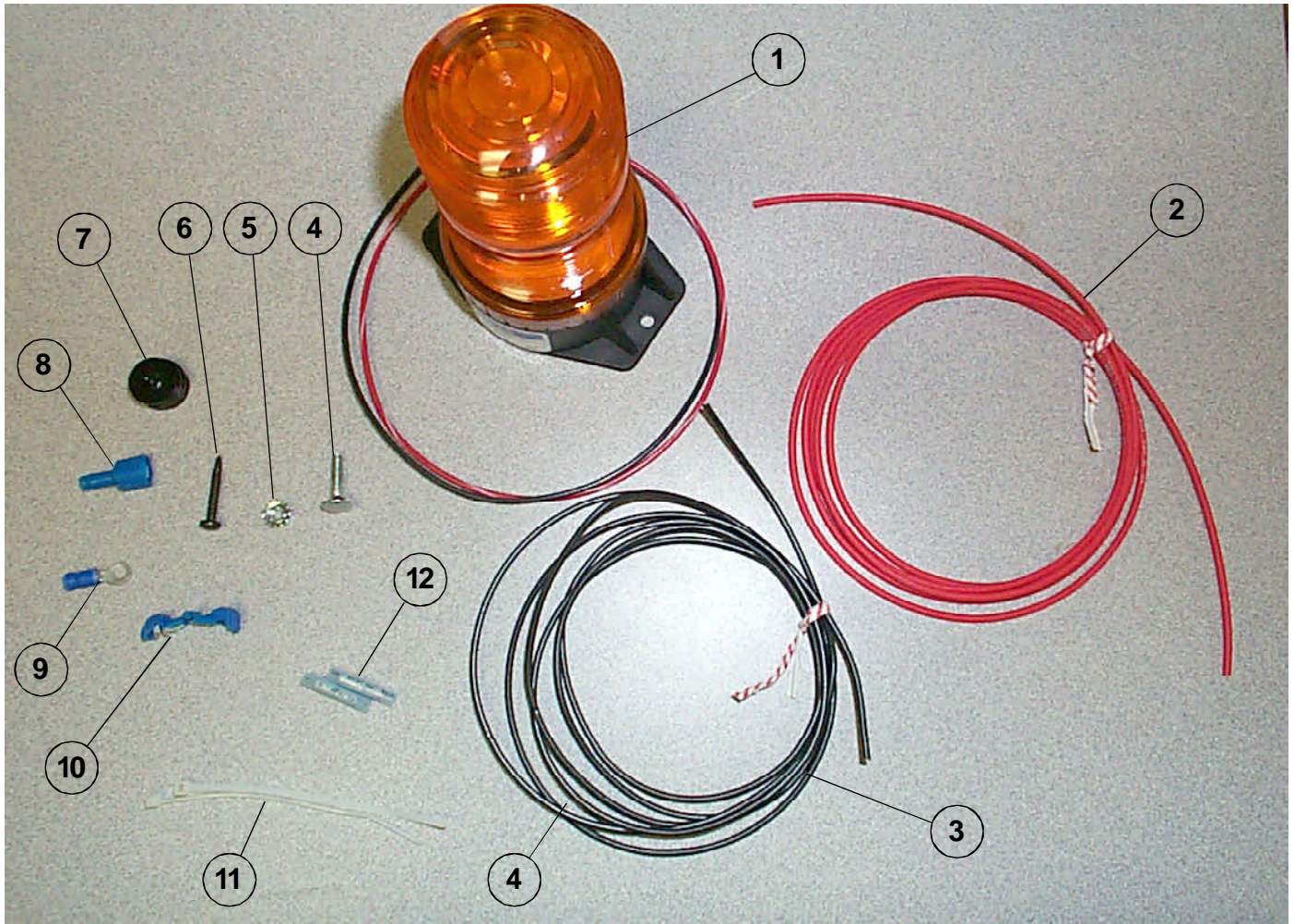
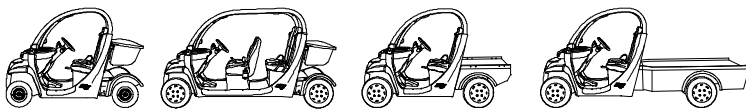
<u>ITEM</u>	<u>PART NO.</u>	<u>DESCRIPTION</u>	<u>QTY.</u>
1	0521-00014	NUT, KEPS - 12 - 24 UNC ZINC PLATED GR 5 ZINC PLATED	4
2	0523-00032	SCREW, HEX - WHSD 1/4 X .75 ZN	1
3	0523-00134	SCREW, MACHINE #12-24 x 1 HEX SLOT HEAD	4
4	0606-00117	TERMINAL, SPADE - MALE INSULATED 1/4 22 - 18 GA WIRE	1
5	0606-00176	CONNECTOR, T - WIRE	1
6	0607-00164	KIT, LICENSE PLATE MOUNT /LIGHT	1
7	1106-00009	ASSY, GROUND WIRE - LICENSE	1
8	N/A	FOR REPLACEMENT USE A # 67 LIGHT BULB AVAILABLE AT YOUR LOCAL AUTOMOTIVE PARTS STORE	1
9	0510-00137	TIE, CABLE W/#10 MOUNT HOLE 9 BLACK"	1
10	1010-00094	INSTRUCTIONS, LICENSE PLATE BRACKET LIGHT INSTALLATION - REAR	1



0107-00503 ASSY, OPTION - LICENSE PLATE LAMP - NEW YORK

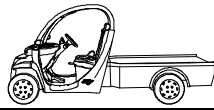
<u>ITEM</u>	<u>PART NO.</u>	<u>DESCRIPTION</u>
1	0106-00488	ASSY, LICENSE PLATE LAMP

<u>QTY.</u>
1



0106-00714 ASSY., BEACON - YELLOW WARNING

<u>ITEM</u>	<u>PART NO.</u>	<u>DESCRIPTION</u>	<u>QTY.</u>
1	0607-00224	LIGHT, WARNING BEACON	1
2	0417-00167	WIRE, RED - 18ga	7FT.
3	0417-00134	WIRE, 18ga BLACK	7FT.
4	0523-00210	SCREW, MACHINE - #10 - 24 X 3/4" CARRIAGE ZINC	1
5	0521-00209	NUT, HEX - EXTERNAL TOOTH LOCK - 10 - 24 UNC	1
6	0523-00190	SCREW, TEK - PHIL PAN #8 - 18 X 1 #2 PT STL BLK ZNC	1
7	0519-00296	SPACER, .50 O.D. X .375	1
8	0606-00117	TERMINAL, SPADE - MALE INSULATED 1/4"	1
9	0606-00094	TERMINAL, RING 22-18 #6	1
10	0606-00285	TERMINAL, SPLICE TAP, SEALANT FILLED, 18-14 GA	1
11	0606-00264	STRAP, TIE	2
12	0606-00096	CONNECTOR, BUTT - INSULATED 22-18	2
13	1010-00059	INSTRUCTION, BEACON LIGHT INSTALLATION (THIS DOCUMENT)	1



FABRIC SEAT OPTION 2 PASS, SHORT BACK, LONG BACK

<u>ITEM</u>	<u>PART NO.</u>	<u>DESCRIPTION</u>	<u>QTY.</u>
1	0105-00194	ASSY, SEAT BACK - CLOTH	1
2	0105-00196	ASSY, SEAT BASE - 4 PASS (CLOTH)	1



FABRIC SEAT OPTION 4 PASS

<u>ITEM</u>	<u>PART NO.</u>	<u>DESCRIPTION</u>	<u>QTY.</u>
1	0105-00194	ASSY, SEAT BACK - CLOTH	1
2	0105-00196	ASSY, SEAT BASE - 4 PASS (CLOTH)	1
3	0605-00186	SEAT, BUCKET - FABRIC W/ ADJUSTMENT KIT	2

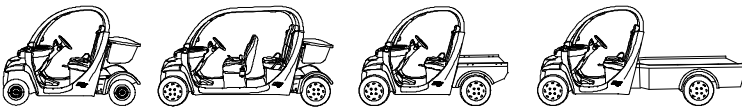


Global Electric Motorcars, LLC

A DaimlerChrysler Company

Parts Catalog

SECTION 12 - SERVICE KITS



Global Electric Motors, LLC
A DaimlerChrysler Company

WARNING!

To prevent personal injury or property damage: Double the "Safety" factor of the "O.C.P." pin. Always use a safety pin that is always in the "O.C.P." position. Do not use a safety pin that is not in the "O.C.P." position. This pin must stay in the "O.C.P." position. Do not use a safety pin that is not in the "O.C.P." position. This pin must stay in the "O.C.P." position. Do not use a safety pin that is not in the "O.C.P." position. This pin must stay in the "O.C.P." position.

INSTRUCTIONS

Product: GEM Electric Motors
Models: All
Subject: Half Shaft Removal, Service and Re-Installation
Estimated Completion Time: 1 hour (For one side of vehicle, including removal, service and installation of Half Shaft)
Parts: See Page # 7

REQUIRED TOOLS:

- (1) Hex Bolt, 1/2"
- (2) Lock Washers
- (1) 3/8" Flat Bar
- (1) 3/8" Flat Bar
- (1) 1/2" Socket
- (1) 1/2" Hex Nut
- (1) Needle Nose Pliers
- (1) Brake Ball Separation
- (1) Blended screwdriver
- (1) Blending hammer
- (1) Blending roller
- (1) 1/4" wrench
- (1) Snap Ring Pliers
- (1) Ball Bearing Oil
- (1) Chisel
- (1) Lock Wrench
- (1) Shim
- (1) Shim

SERVICE PROCEDURE:

Half Shaft Removal:

When you start the first step of this procedure, you will be removing the half shaft from the vehicle. In order to do this, you will need to remove the half shaft from the vehicle. To do this, you will need to remove the half shaft from the vehicle. To do this, you will need to remove the half shaft from the vehicle. To do this, you will need to remove the half shaft from the vehicle.

ASSY, BOOT KIT - HALFSHAFT - OUTER

ITEM	PART NO.	DESCRIPTION
1	0613-00196	ASSY, BOOT KIT - HALFSHAFT - OUTER

QTY.
1

Global Electric Motors, LLC
A DaimlerChrysler Company

WARNING!

To prevent personal injury or property damage: Double the "Safety" factor of the "O.C.P." pin. Always use a safety pin that is always in the "O.C.P." position. Do not use a safety pin that is not in the "O.C.P." position. This pin must stay in the "O.C.P." position. Do not use a safety pin that is not in the "O.C.P." position. This pin must stay in the "O.C.P." position.

INSTRUCTIONS

Product: GEM Electric Motors
Models: All
Subject: Half Shaft Removal, Service and Re-Installation
Estimated Completion Time: 1 hour (For one side of vehicle, including removal, service and installation of Half Shaft)
Parts: See Page # 7

REQUIRED TOOLS:

- (1) Hex Bolt, 1/2"
- (2) Lock Washers
- (1) 3/8" Flat Bar
- (1) 3/8" Flat Bar
- (1) 1/2" Socket
- (1) 1/2" Hex Nut
- (1) Needle Nose Pliers
- (1) Brake Ball Separation
- (1) Blended screwdriver
- (1) Blending hammer
- (1) Blending roller
- (1) 1/4" wrench
- (1) Snap Ring Pliers
- (1) Ball Bearing Oil
- (1) Chisel
- (1) Lock Wrench
- (1) Shim
- (1) Shim

SERVICE PROCEDURE:

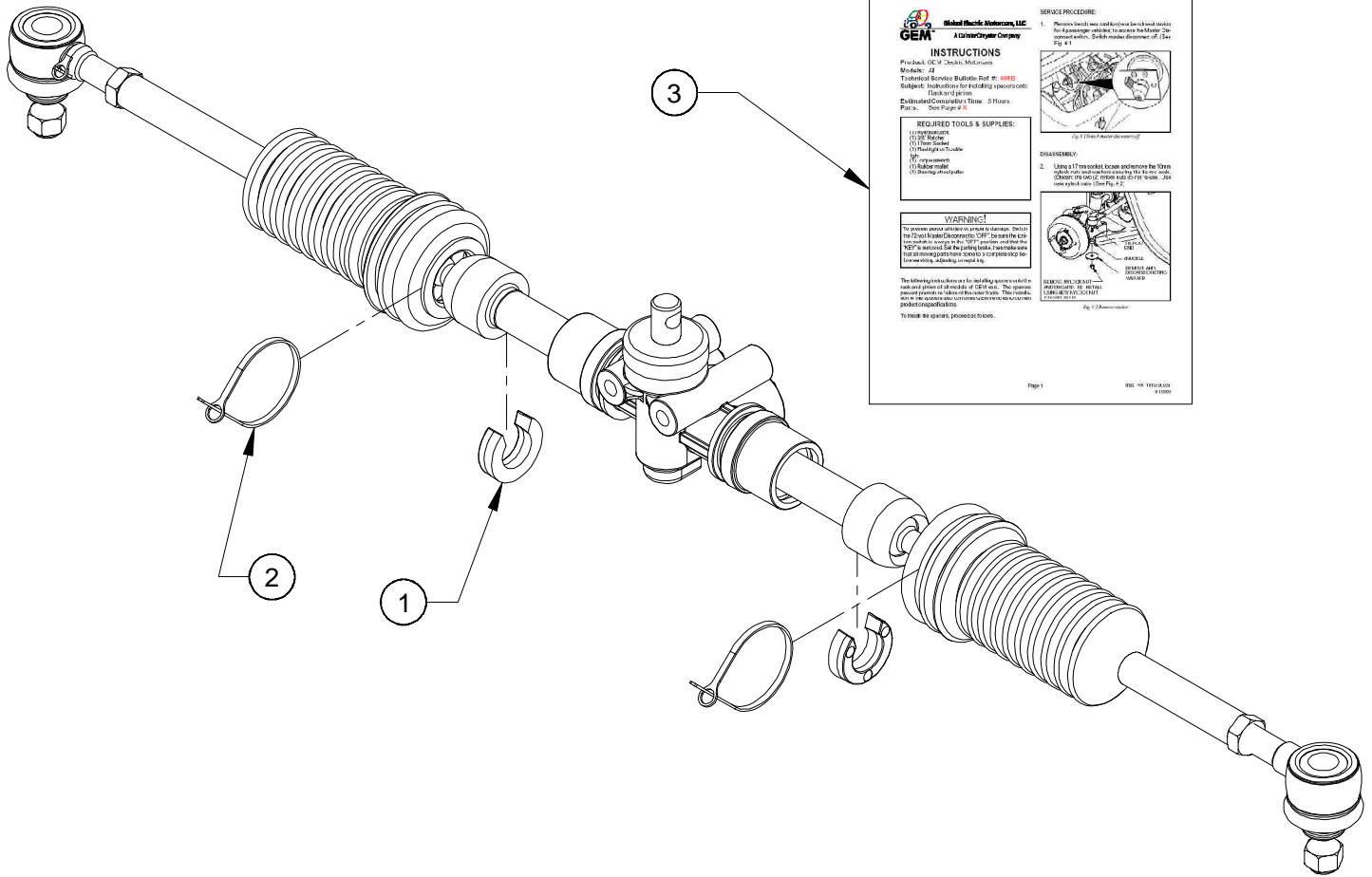
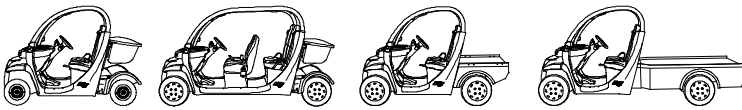
Half Shaft Removal:

When you start the first step of this procedure, you will be removing the half shaft from the vehicle. In order to do this, you will need to remove the half shaft from the vehicle. To do this, you will need to remove the half shaft from the vehicle. To do this, you will need to remove the half shaft from the vehicle.

ASSY, BOOT KIT - HALFSHAFT - INNER

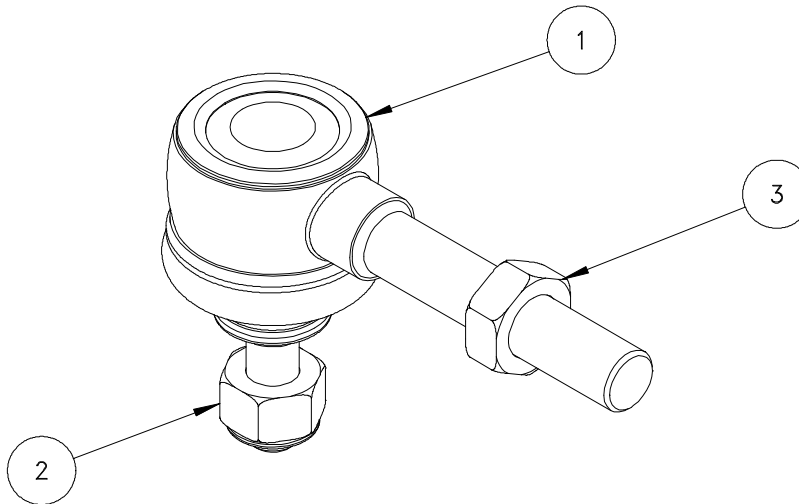
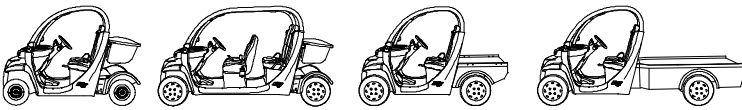
ITEM	PART NO.	DESCRIPTION
1	0613-00195	ASSY, BOOT KIT - HALFSHAFT - INNER

QTY.
1



0112-00636 ASSY, STEERING GEAR SPACER KIT

ITEM	PART NO.	DESCRIPTION	QTY.
1	0512-00250	SPACER, RACK AND PINION - NYLON - 35.3MM O.D. X 21.5 I.D. X 10MM THICK	2
2	0510-00249	TIE, CABLE BLACK 7.5"	2
3	1010-00031	INSTRUCTION, STEERING GEAR SPACER INSTALLATION	1
4	0521-00116	NUT, NYLOCK - STEERING GEAR BALL JOINT MOUNT	2

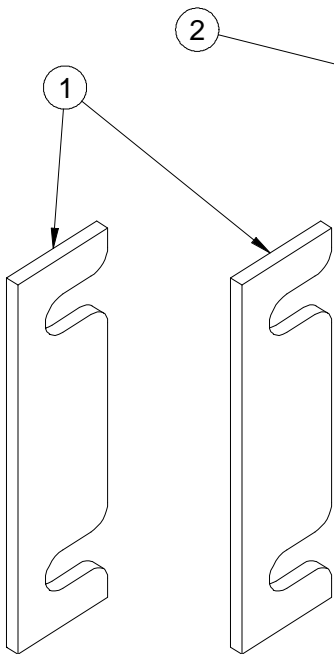


0112-00635 ASSY, TIE ROD END

ITEM	PART NO.	DESCRIPTION	QTY.
1*	0112-00637	ASSY, TIE ROD END JOINT	1
2*	0521-00116	NUT, NYLOCK STEERING GEAR BALL JOINT	1
3*	0521-00248	NUT, HEX M14 X 1.5 ZINC PLATED YELLOW	1

* ITEMS 1, 2, & 3 ARE NOT SOLD SEPARATELY.

P/N 0112-00635 IS PURCHASED AND SOLD COMPLETE AS A PAIR OF TIE ROD ENDS.



Global Electric Motorcars, LLC
A DaimlerChrysler Company

1. Remove bench seat cushion (rear bench seat cushion for 4 passenger vehicles) to access the Master Disconnect switch. Switch master disconnect off. (See Fig. # 1.

INSTRUCTIONS

Product: GEM Electric Motorcars
Models: All
Subject: Instructions for installing Brake Pedal Bracket Spacer
Effected V.I.N. Range: 017490 & Lower
Effected Mfg. Date Range: 12/17/01 & Earlier
Estimated Completion Time: .50 Hour
Associated Documents: 1010-00056
Parts: See Page # 5

REQUIRED TOOLS & SUPPLIES:

(1) Ratchet	(1) 1/2" Open End Wrench
(1) 3/8" Socket	(1) Flashlight or Trouble Light
(1) 1/2" Socket	(1) Hydraulic Jack
(1) 7/16" Socket	(2) Jack-Stands
(1) Med. Phillips Screw-driver	
(1) Torque Wrench	

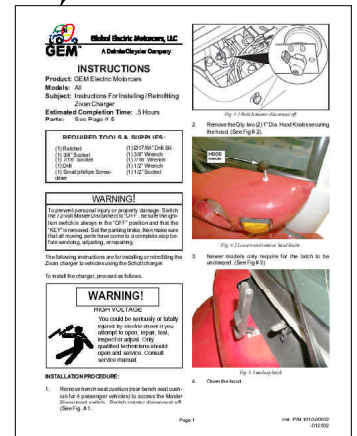
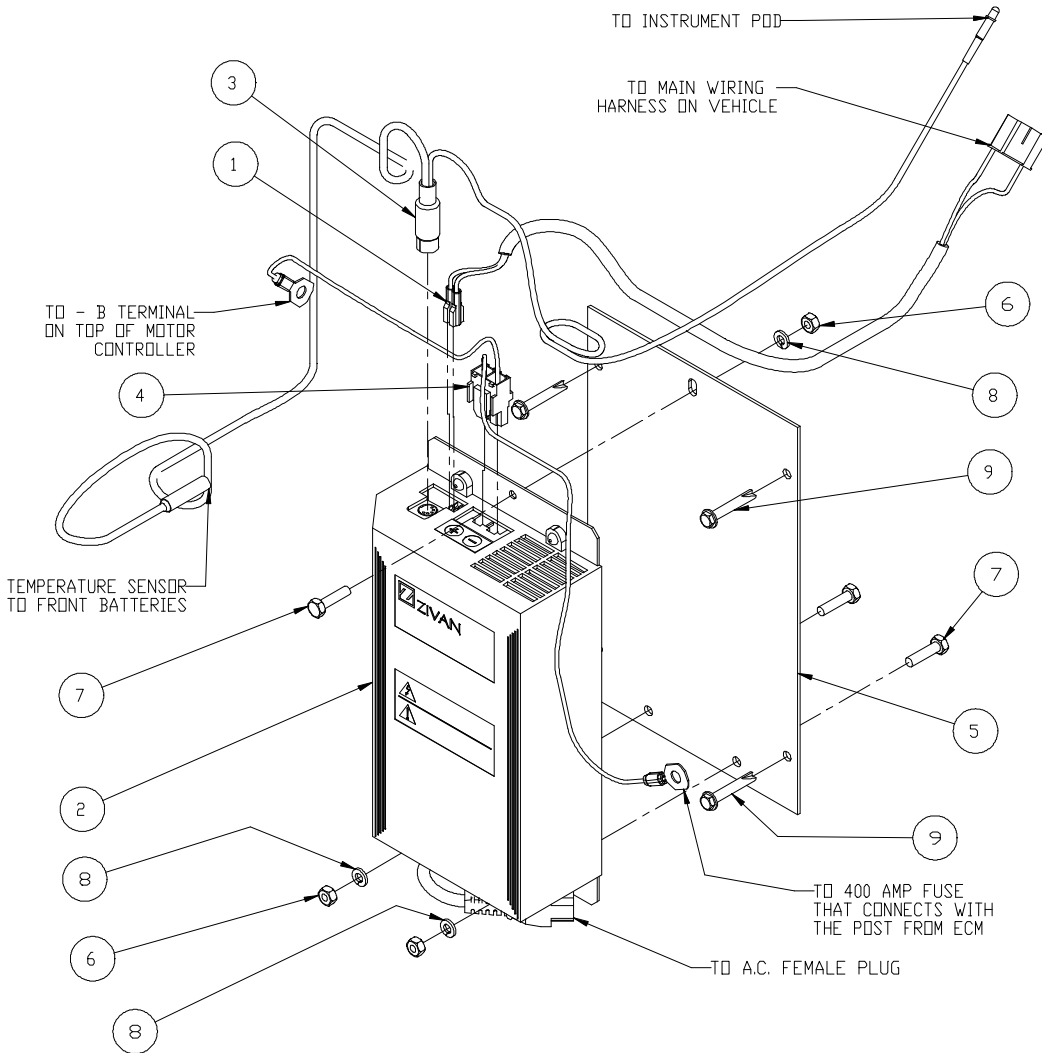
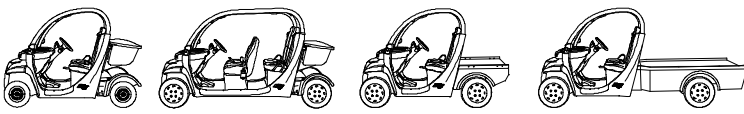
Fig. # 1 Switch master disconnect off

IMPORTANT

Before completing any service work: Decide if the vehicle falls within the V.I.N. Range. If the vehicle "does not" fall within the V.I.N. range (See **INSPECTION**, Step "A"). If the vehicle "does" fall within the V.I.N. range, inspect the

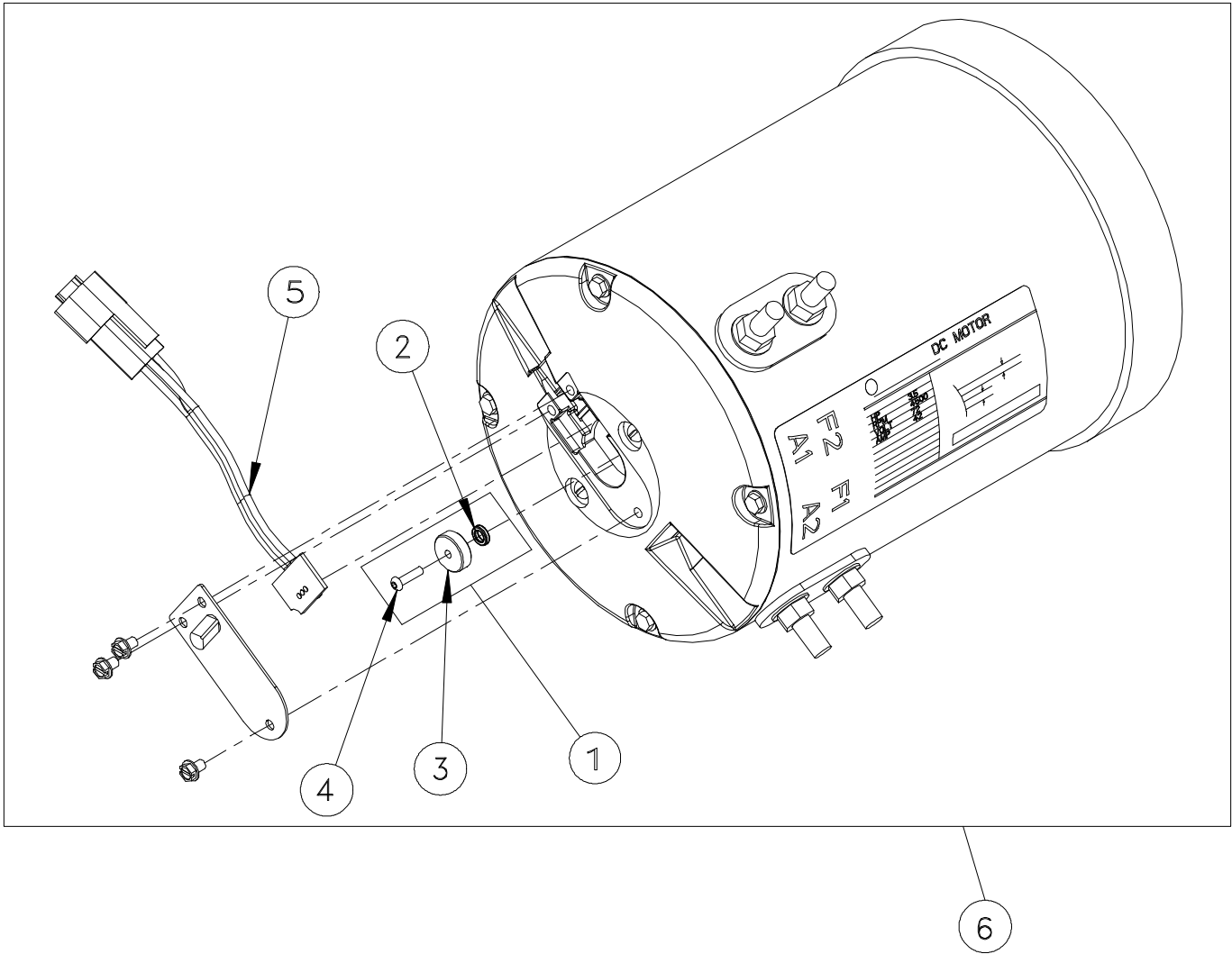
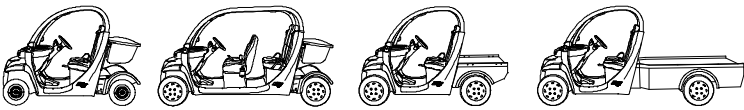
0111-00715 - ASSY, SERVICE KIT - HYDRAULIC BRAKE SPACERS

ITEM	PART NO.	DESCRIPTION	QTY.
1	0311-00944	SPACER, BRAKE PEDAL BRACKET	2
2	1010-00058	INSTRUCTION, BRAKE PEDAL BRACKET SPACER INSTALLATION	1



0106-00539 ASSY, CHARGER RETROFIT 110 VOLT

ITEM	PART NO.	DESCRIPTION	QTY.
1	0106-00482	ASSEMBLY, HARNESS, ZIVAN CHARGER	1
2	0606-00190	CHARGER, 72 VOLT 10 AMP OUTPUT 110 VOLT INPUT - ZIVAN	1
3	0106-00506	ASSEMBLY, HARNESS, THERMAL SENSOR	1
4	0106-00520	ASSEMBLY, HARNESS	1
5	0306-00799	PLATE, MOUNT - ZIVAN	1
6	0521-00099	NUT, HEX 1/4-20 UNC GR 5 ZINC PLTD	3
7	0522-00049	BOLT, HEX - 1/4 - 28 UNF X 1.0 GR 2	3
8	0524-00142	WASHER, LOCK - 1/4 ZINC PLATED	3
9	0523-00122	SCREW, HEX - WASHER HEAD SELF DRILL 1/4 X 1.5 ZINC PLATED	4
10	1010-00032	INSTRUCTION, ZIVAN CHARGER RETROFIT 110 AND 220	1



0606-00201 KIT, MAGNET - MOTOR

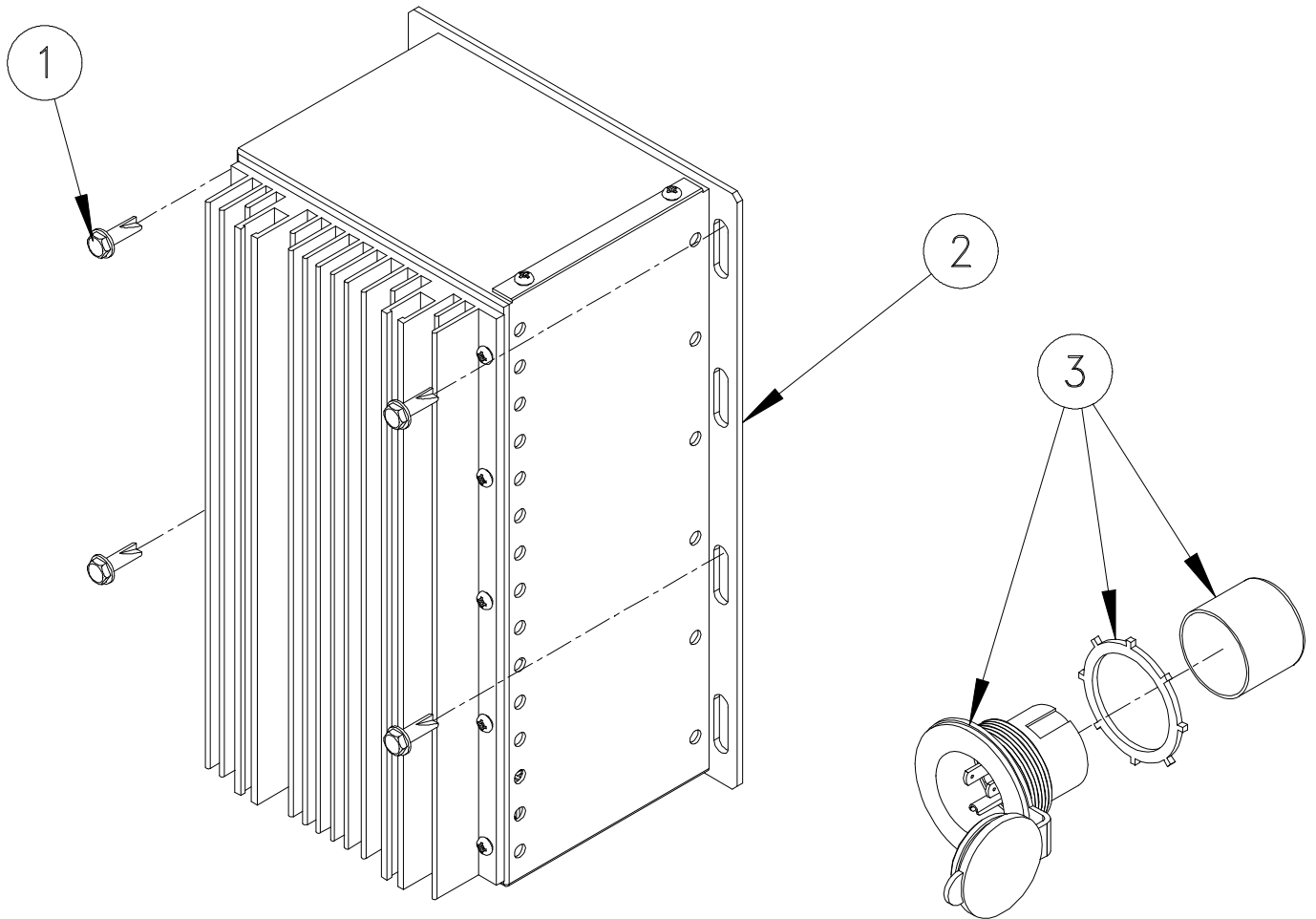
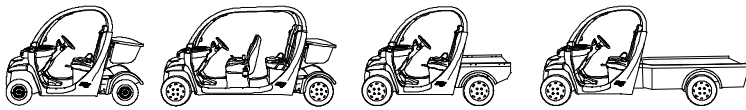
<u>ITEM</u>	<u>PART NO.</u>	<u>DESCRIPTION</u>	<u>QTY.</u>
1	0606-00201	KIT, MAGNET - MOTOR	1
2	0313-00895	SEAL, SPEED SENSOR - FOR ELECTRIC 3.5 HP MOTOR	1
3	0313-00894	MAGNET, SPEED SENSOR - FOR ELECTRIC 3.5 HP MOTOR	1
4	0523-00264	SCREW, MACHINE - ROUND HEAD HEX SOCKET # 5-40 X .50" BLACK ZP	1

0606-00200 SENSOR, SPEED

<u>ITEM</u>	<u>PART NO.</u>	<u>DESCRIPTION</u>	<u>QTY.</u>
5	0606-00200	SENSOR, SPEED	1

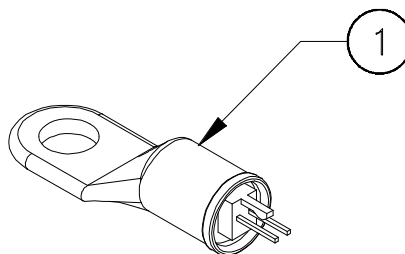
0613-00008 MOTOR, ELECTRIC - 72 VOLT 3.5 HP

<u>ITEM</u>	<u>PART NO.</u>	<u>DESCRIPTION</u>	<u>QTY.</u>
6	0613-00008	MOTOR, ELECTRIC - 72 VOLT 3.5HP	1

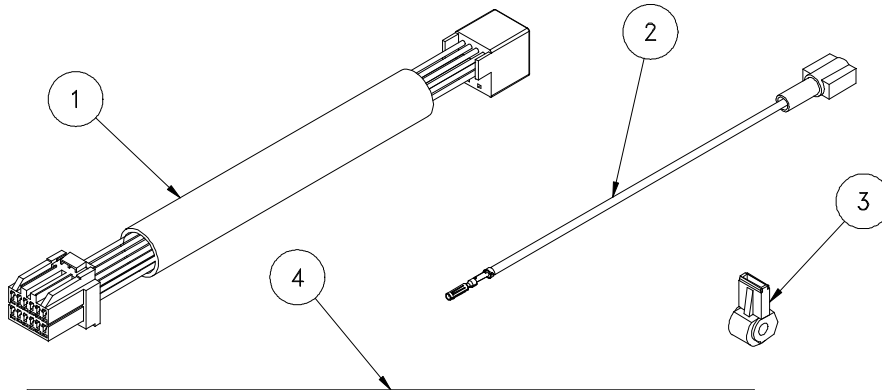
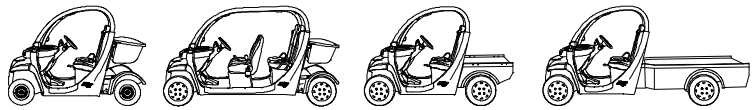



0106-00133 CHARGER TYPE:, STANDARD 110 VOLT - SCHOTT

<u>ITEM</u>	<u>PART NO.</u>	<u>DESCRIPTION</u>	<u>QTY.</u>
1	0523-00032	SCREW, HEX - WASHER HEAD SELF DRILL 1/4 X .75 ZN	4
2	0606-00088	CHARGER, 72 VOLT 10 AMP OUTPUT 110 VOLT INPUT (SCHOTT)	1
3	0606-00086	RECEPTACLE, CHARGER 125 VOLT 15 AMP	1



<u>ITEM</u>	<u>PART NO.</u>	<u>DESCRIPTION</u>	<u>QTY.</u>
1	0106-00293	ASSY, HEAT SENSOR - BATTERY (FOR USE WITH SCHOTT CHARGER ONLY)	1





Global Electric Motors, LLC
A DaimlerChrysler Company

INSTRUCTIONS
Product: GEM Electric Motors
Models: All
Subject: Instructions, Service Kit - Controller Split Heat Sink Harness Retrofit
Estimated Completion Time: .25 Hour
Parts: See Page # X


REQUIRED TOOLS & SUPPLIES:

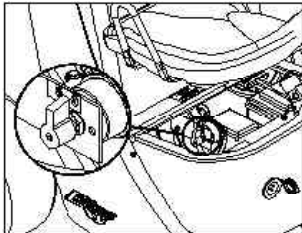
WARNING!

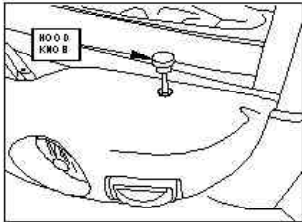
WARNING!

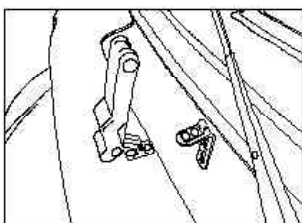
HIGH VOLTAGE

You could be seriously or fatally injured by electric shock if you attempt to open, repair, test, inspect or adjust. Only qualified technicians should open and service. Consult service manual.



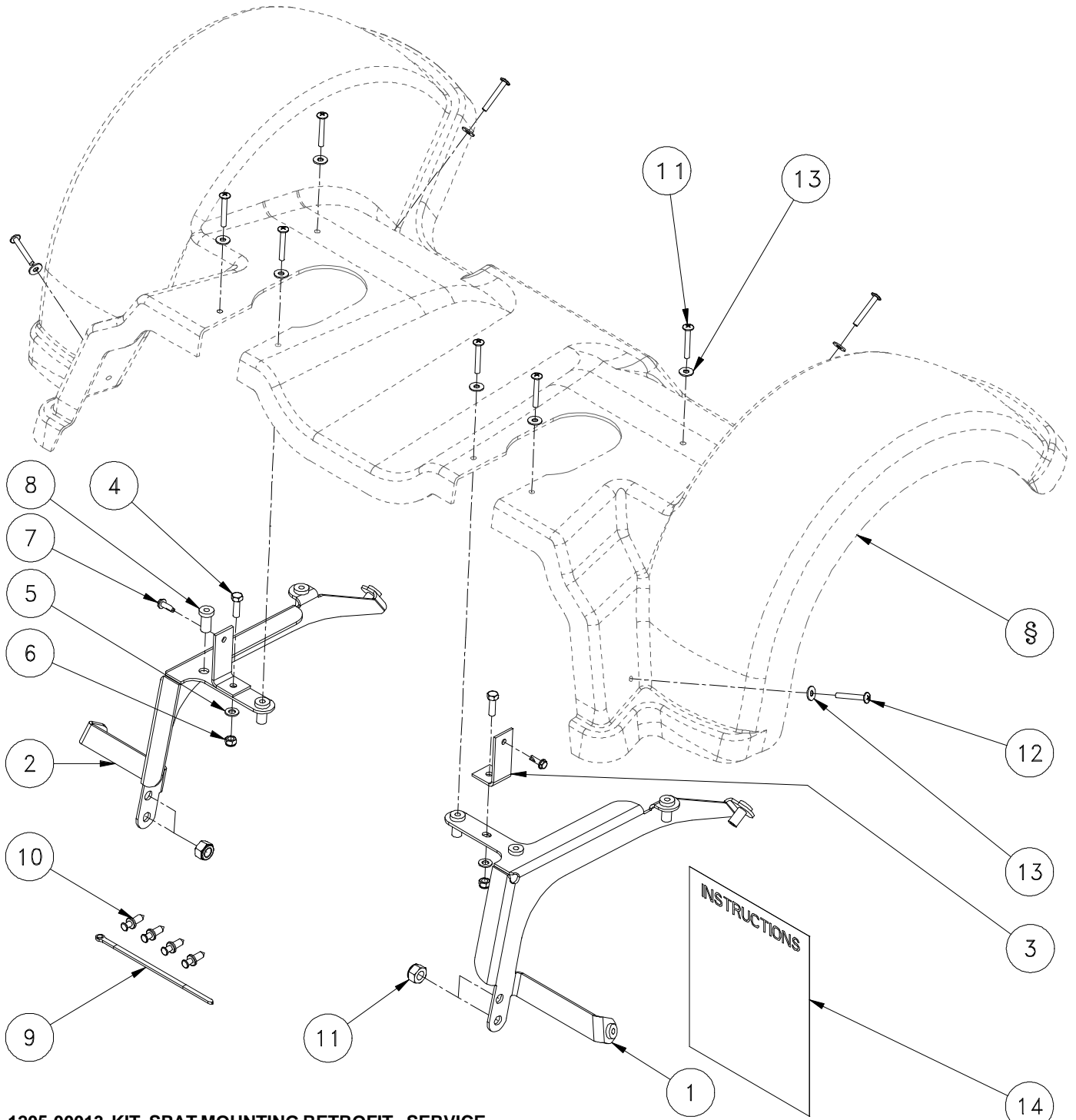
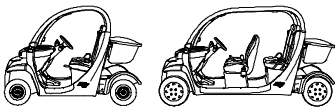






0106-00826 ASSY, SERVICE KIT - CONTROLLER SPLIT HEAT SINK HARNESS RETROFIT

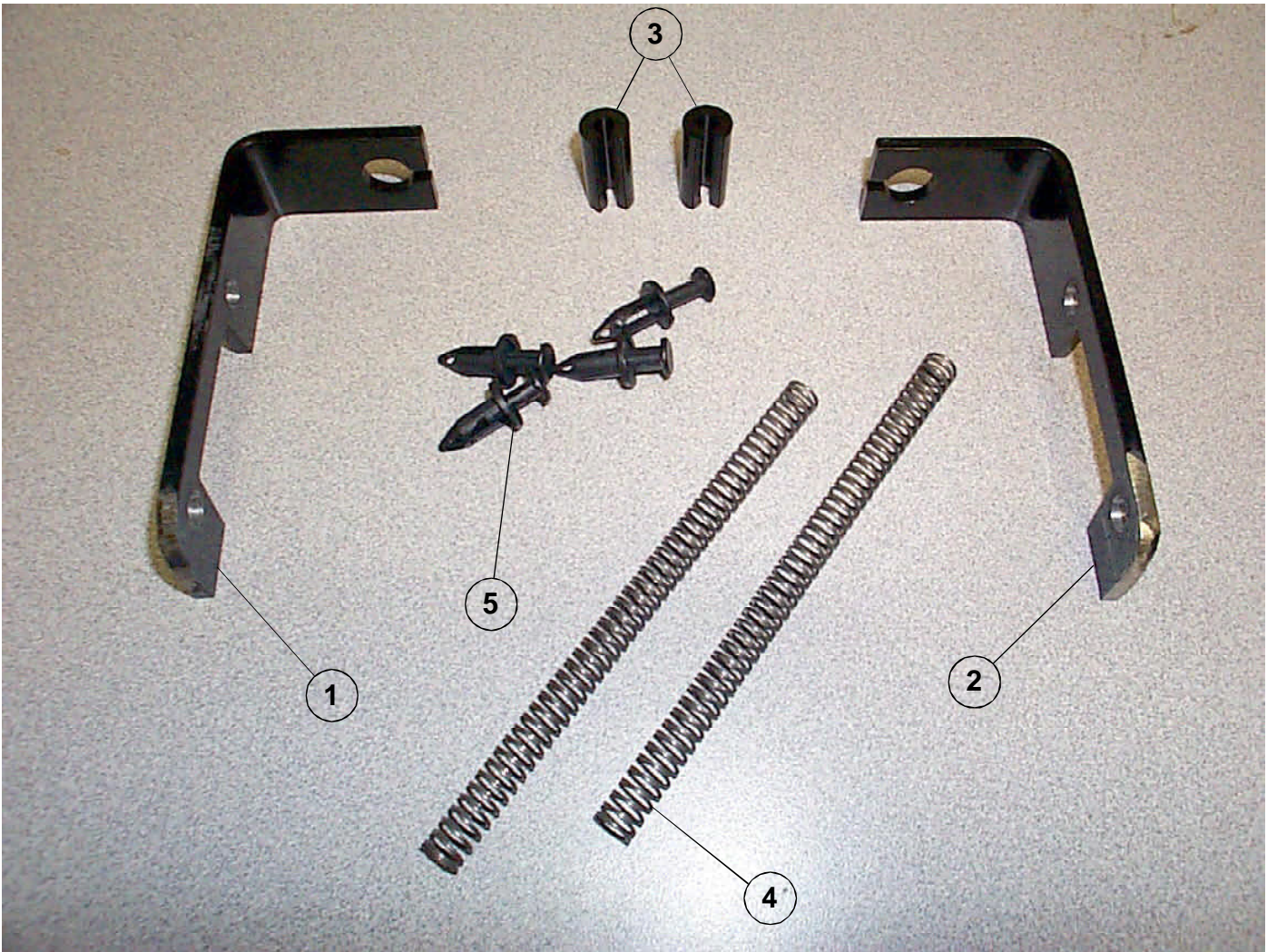
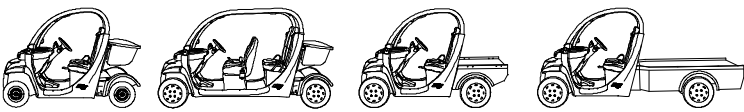
<u>ITEM</u>	<u>PART NO.</u>	<u>DESCRIPTION</u>	<u>QTY.</u>
1	0106-00678	ASSY, WIRE HARNESS - SPLIT HEATSINK JUMPER	1
2	0106-00827	ASSY, WIRE - SPLIT HEAT SINK JUMPER	1
3	0606-00176	CONNECTOR, T - WIRE	1
4	1010-00070	INSTRUCTIONS, SERVICE KIT-CONTROLLER SPLIT HEAT SINK HARNESS RETROFIT	1



1205-00013 KIT, SPAT MOUNTING RETROFIT - SERVICE

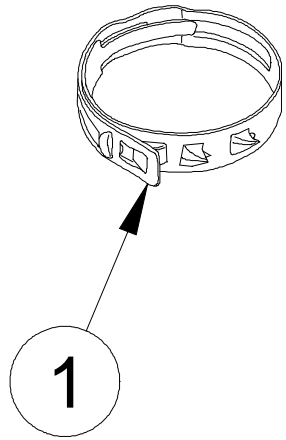
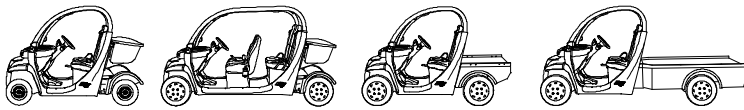
ITEM	PART NO.	DESCRIPTION	QTY.
1	0351-01163	BRKT, SPAT MOUNT - LH FRAME MOUNTED	1
2	0351-01196	BRKT, SPAT MOUNT - RH FRAME MOUNTED	1
3	0351-01195	ANGLE, HANGER BRACKET SPAT	2
4	0522-00016	BOLT, HEX - HHCS 5/16 - 18 UNC X 1.0 GR 5 ZINC PLATED	2
5	0524-00003	WASHER, FLAT - 5/16 SAE .344 ID X .688 OD X .065 THK ZN	2
6	0521-00017	NUT, HEX - NYLOCK 5/16-18 UNC GR5 ZN	2
7	0523-00032	SCREW, HEX - WHSD 1/4 X .75 ZN --	2
8	0521-00279	NUT, WELL - 1/4 - 20 UNC x 1" --	10
9	0510-00137	TIE, CABLE W/#10 MOUNT HOLE 9" BLACK	1
10	0520-00073	RIVET, PUSH - TUFLOK FASTEX # M3.0800.16 BLACK PLASTIC	4
11	0521-00023	NUT, HEX - NYLOCK M12 X 1.75 ZN	2
12	0523-00347	SCREW, MACH TRUSS HEAD PHIL 1/4 - 20 UNC X 1.75 LG SST	10
13	0524-00053	WASHER, FLAT - 1/4 BLACK PLASTIC	10
14	1010-00135	INSTRUCTIONS, SPAT BRACKET RETROFIT - SERVICE	1


§ SPAT SHOWN FOR REFERENCE ONLY- SEE BODY SECTION OF THE PARTS CATALOG



0111-00690 - ASSY, SERVICE KIT - PARKING BRAKE UPDATE

<u>ITEM</u>	<u>PART NO.</u>	<u>DESCRIPTION</u>	<u>QTY.</u>
1	0311-00088	BRKT, BRAKE CABLE - LH PARKING BRAKE	1
2	0311-00116	BRKT, BRAKE CABLE - RH PARKING BRAKE	1
3	0311-00969	BUSHING, NYLON BLACK	2
4	0611-00305	SPRING, PARKING BRAKE CABLE	2
5	0520-00073	RIVET, PUSH - TUFLOK BLACK PLASTIC FASTEX #M3.0800.16	4
6	1010-00056	INSTRUCTION, SERVICE KIT PARKING BRAKE UPDATE (NOT SHOWN, THIS DOCUMENT)	1





Global Electric Motors, LLC
A DaimlerChrysler Company

INSTRUCTIONS

Product: GEM Electric Motorcars
Models: All
Affected VIN Range: 017500 - 019500
Service Bulletin No. 22A3001
Subject: Instruction, Removal And Installation Of Small Inboard End Boot Clamp of Half Shaft
Estimated Completion Time: .25Hour
Parts: See Page # 2

The following instructions are for removing and installing the Small Inboard End Boot Clamp of the half shaft, on all models of GEM vehicles within the affected V.I.N. range. To remove and install the clamps, proceed as follows:

INSPECTION

IMPORTANT

1. Inspect vehicle in locations shown in (Fig. #1)

NOTE: Hood is removed for illustrative purposes only.

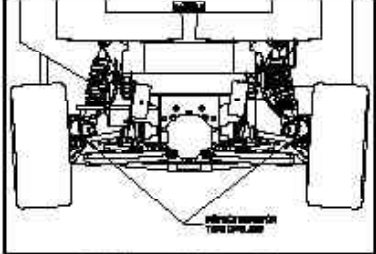


Fig. #1 Inspect vehicle for type of clamp

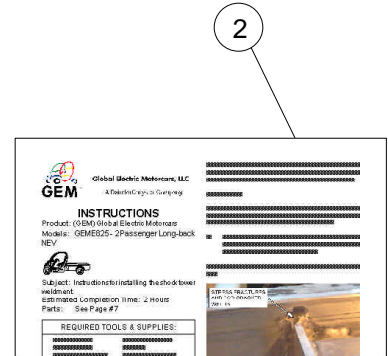
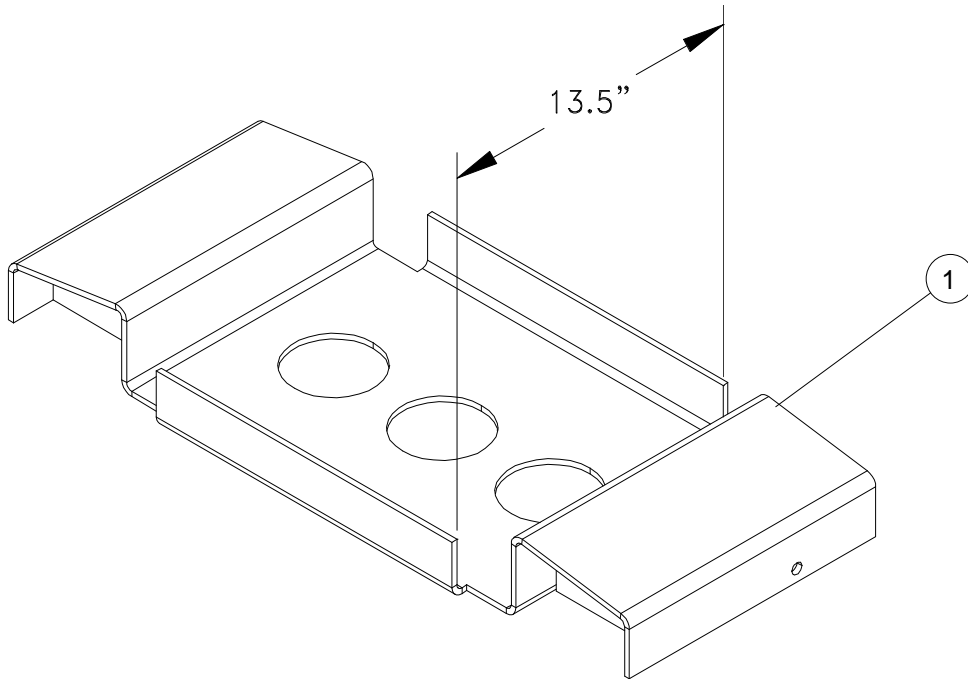
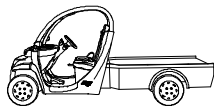
REQUIRED TOOLS & SUPPLIES:

- (1) Small Flat Screwdriver
- (1) Medium Flat Screwdriver
- (1) Needle Nose Pliers

SPECIAL TOOLS:

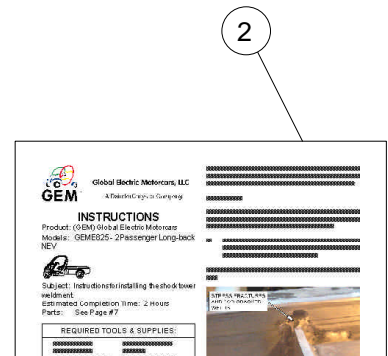
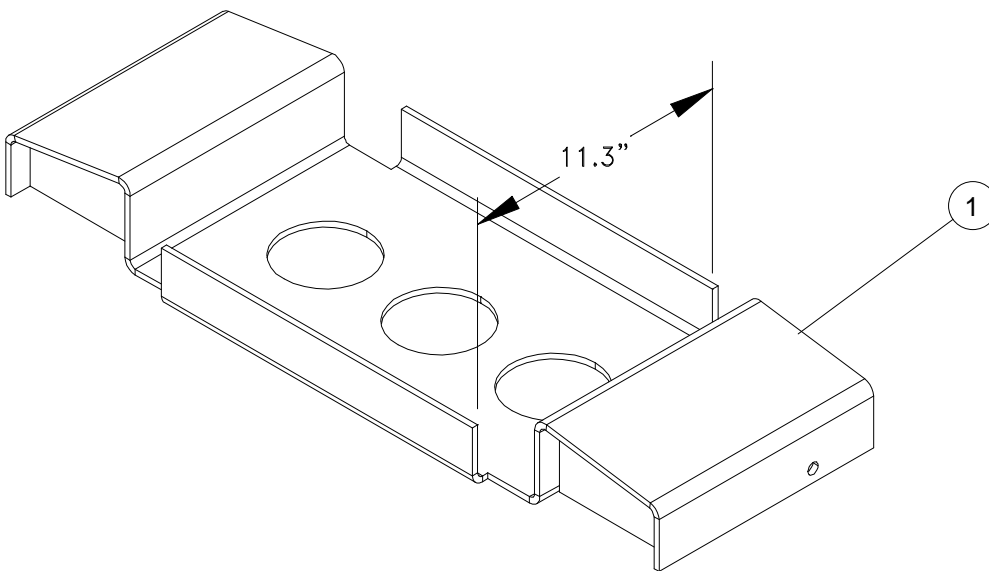
0113-00685 - ASSY, BOOT CLAMP REPLACEMENT KIT

<u>ITEM</u>	<u>PART NO.</u>	<u>DESCRIPTION</u>	<u>QTY.</u>
1	0613-00302	CLAMP, BOOT - HALFSHAFT SMALL REPLACEMENT	2
2	1010-00053	INSTRUCTION, REMOVAL AND INST. OF SMALL OUTBOARD END BOOT CLMP OF HF SHAFT	1



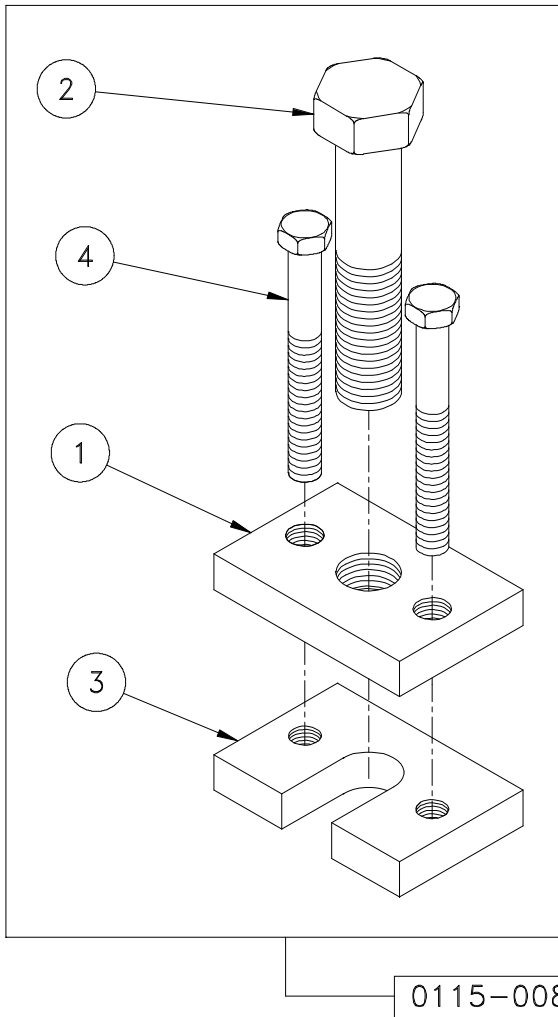
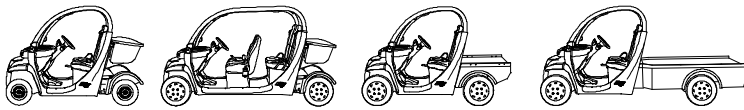
1202-00021 KIT, SHOCK MOUNT INSTALLATION - SERVICE

<u>ITEM</u>	<u>PART NO.</u>	<u>DESCRIPTION</u>	<u>QTY.</u>
1	0202-00154	WELD, PLATE SHOCK MOUNT REAR LONGBACK	1
2	1010-00148	INSTRUCTIONS, SHOCK MOUNT INSTALLATION	1

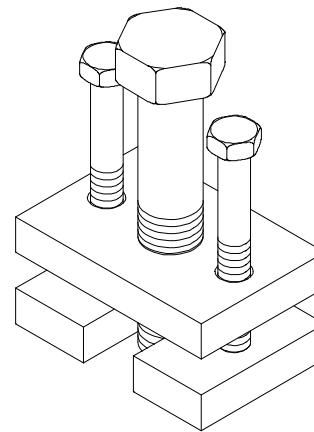
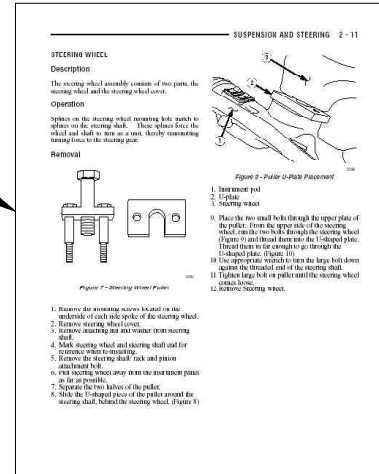


1202-00022 KIT, SHOCK MOUNT INSTALLATION, NARROW SPACING - SERVICE

<u>ITEM</u>	<u>PART NO.</u>	<u>DESCRIPTION</u>	<u>QTY.</u>
1	0202-00155	WELD, PLATE SHOCK MOUNT REAR LONGBACK NARROW	1
2	1010-00148	INSTRUCTIONS, SHOCK MOUNT INSTALLATION	1



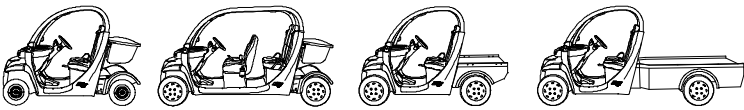
0115-00861



ASSEMBLED VIEW

0115-00861 ASSY, STEERING WHEEL PULLER

ITEM	PART NO.	DESCRIPTION	QTY.
1	0315-00112	PLATE, STEERING WHEEL PULLER	1
2	0315-00113	BOLT, STEERING WHEEL PULLER	1
3	0315-00134	PLATE, STEERING WHEEL PULLER	1
4	0522-00346	BOLT, 3/8 - 16 UNC X 3-1/4 HEX HEAD GENERIC ZINC PLATED	2
5	1015-00079	INSTRUCTIONS, STEERING WHEEL REMOVAL TOOL	1



0106-00749 KIT, CHARGER - ZIVAN - 48 VOLT - SERVICE

<u>ITEM</u>	<u>PART NO.</u>	<u>DESCRIPTION</u>	<u>QTY.</u>
1	0606-00306	CHARGER, 48 VOLT - ZIVAN	1
2	0106-00747	ASSY, JUMPER HARNESS - 48 VOLT	1
3	0106-00748	ASSY, POWER HARNESS - 48 VOLT	1
4	0306-00997	CORD, POWER - 48 VOLT A/C POWER CORD	1
5	0306-00799	PLATE, MOUNT - ZIVAN	1
6	0521-00071	NUT, KEPS - 1/4 - 20 UNC ZINC PLATED	3
7	0523-00072	SCREW, MACH-TRS HD PHL 1/4-20 UNC X 1.25	3
8	1010-00142	INSTRUCTIONS, 48 VOLT ZIVAN CHARGER INSTALLATION (NOT SHOWN)	1

INDEX

<u>Part #</u>	<u>Description</u>	<u>Page</u>
0101-00105	ASSY, SUPPORT FRAME - FRONT	3
0102-00016	ASSY, SUSPENSION - REAR NARROW	5
0102-00037	ASSY, SUSPENSION - 4 PASS REAR (WIDE)	4
0102-00325	ASSY, SUSPENSION FRAME W/BUSHINGS - RE	4, 6
0102-00374	ASSY, SUSPENSION FRAME W/ BUSHINGS (NA	5
0103-00013	ASSY, SHOCK SPRING OVER SHOCK -	5
0103-00013	ASSY, SPRING OVER SHOCK	6
0103-00014	ASSY, SPRING	10
0103-00014	ASSY, SPRING OVER SHOCK -	4
0103-00326	ASSY, CONTROL ARM W/ BUSHINGS - LH	8
0103-00327	ASSY, CONTROL ARM W/ BUSHING - RH	9
0103-00760	ASSY, KNUCKLE LH - KING PIN - SERVICE	8
0103-00761	ASSY, KNUCKLE RH - KING PIN - SERVICE	9
0104-00139	ASSY, ROOF RAILS - 4 PASS	51
0104-00140	ASSY, ROOF SUPPORTS - 4 PASS	52
0105-00062	ASSY, SIDE KIT	115
0105-00070	ASSY, DASH - UPPER	82
0105-00084	ASSY, SHOCK MOUNT COVER - REAR	70
0105-00088	ASSY, SEAT BASE - 4 PASS (ROUGH RIDER	71
0105-00089	ASSY, SEAT BOTTOM - 2 PASS	98
0105-00091	ASSY, SEAT BACK	92
0105-00107	ASSY, HOOD HINGE	66
0105-00114	ASSY, UPPER DASH	82
0105-00119	ASSY, SIDE KIT - SM UTILITY	114
0105-00194	ASSY, SEAT BACK - CLOTH	138
0105-00196	ASSY, SEAT BASE - 4 PASS (CLOTH)	138
0105-00248	ASSY, MUD GUARD - RED	65
0105-00249	ASSY, MUD GUARD - WHITE	65
0105-00250	ASSY, MUD GUARD - YELLOW	65
0105-00251	ASSY, MUD GUARD - GREY	65
0105-00252	ASSY, MUD GUARD - GREEN	65
0105-00253	ASSY, MUD GUARD - BURGUNDY	65
0105-00254	ASSY, MUD GUARD - CUSTOM	65
0105-00321	ASSY, BUMPER	113
0105-00383	ASSY, MUD GUARD - BLUE	65
0105-00431	ASSY, BUMPER W/CHROME	113
0105-00436	ASSY, PANEL - FLOOR PLASTIC 2 PASS	58, 60
0105-00529	ASSY, DASH - LOWER	83
0105-00533	ASSY, HOOD - RED - COLOR MATCH PLASTIC	67
0105-00534	ASSY, HOOD - YELLOW - COLOR MATCH PLAS	67
0105-00535	ASSY, HOOD - BLUE - COLOR MATCH PLASTI	67
0105-00536	ASSY, HOOD - GREEN - COLOR MATCH PLAST	67
0105-00537	ASSY, HOOD - WHITE - COLOR MATCH PLAST	67
0105-00538	ASSY, HOOD - SILVER - COLOR MATCH PLAS	67
0105-00547	ASSY, SPAT SUPPORT	62
0105-00568	ASSY, MUD GUARD, RED - COLOR MATCHED P	64
0105-00569	ASSY, MUD GUARD, YELLOW, COLOR MATCHED	64
0105-00570	ASSY, MUD GUARD, BLUE - COLOR MATCHED	64
0105-00571	ASSY, MUD GUARD, GREEN - COLOR MATCHED	64
0105-00572	ASSY, MUD GUARD, WHITE - COLOR MATCHED	64
0105-00573	ASSY, MUD GUARD, SILVER - COLOR MATCHE	64
0105-00577	ASSY., HOOD LATCH	112
0105-00592	ASSY, HOOD HINGE RH	66, 89
0105-00593	ASSY, HOOD HINGE LH	66, 89
0105-00628	ASSY, REAR WINDOW- 4 PASS	120

Part #	Description	Page
0105-00651	ASSY, REAR WINDOW- 2 PASS	119
0105-00653	ASSY, SEAT BACK - BENCH	78
0105-00654	ASSY, BENCH SEAT - CUSHION	78
0105-00656	ASSY, BUCKET SEAT - LEFT	76
0105-00657	ASSY, BUCKET SEAT - RIGHT	77
0105-00788	ASSY, HOOD, RED - COLOR MATCHED PLASTI	68
0105-00789	ASSY, HOOD, YELLOW - COLOR MATCHED PLA	68
0105-00790	ASSY, HOOD, BLUE - COLOR MATCHED PLAST	68
0105-00791	ASSY, HOOD, GREEN - COLOR MATCHED PLAS	68
0105-00792	ASSY, HOOD, WHITE - COLOR MATCHED PLAS	68
0105-00793	ASSY, HOOD, SILVER - COLOR MATCHED PLA	68
0105-00834	ASSY, WHEEL 10" - CHROME (New For 2003	129
0105-00835	ASSY, WHEEL 10" - SILVER (New for 2003	129
0105-00836	ASSY, WHEEL 12" - CHROME (New for 2003	129
0105-00837	ASSY, WHEEL 12" - SILVER (New for 2003	129
0105-00859	ASSY, PANEL - FLOOR, PLASTIC - 2 PASS	58
0105-00860	ASSY, PANEL - FLOOR, PLASTIC-4PASS-W/O	61
0105-00934	ASSY, LICENSE PLATE BRACKET LIGHT - CO	135
0105-00958	ASSY, REAR WINDOW - 2P HARD DOOR-SERVIC	119
0105-00959	ASSY, REAR WINDOW - 4 PASS HARD DOOR -	120
0105-00968	ASSY, SEAT - RH FRONT	77
0105-00969	ASSY, SEAT - LH FRONT	76
0106-00001	ASSY, WIRE HARNESS INST POD	36
0106-00018	ASSY, SPEED CONTROL - 72	29
0106-00019	ASSY, FOOT CONTROL - POTENTIOMETER 72V	29
0106-00133	CHARGER TYPE:, STANDARD 110 VOLT - SCHO	145
0106-00138	ASSY, MASTER DISCONNECT	88
0106-00138	SWITCH, ROTARY - MASTER DISCONNECT	97
0106-00198	ASSY, CONTROLLER - 72 VOLT	32
0106-00199	ASSY, CABLE - MTR A1 TO CTL A1	37
0106-00200	ASSY, CABLE - MTR A2 TO CTL A2	37
0106-00201	ASSY, CABLE - MTR F1 TO CTL F1	37
0106-00202	ASSY, CABLE - MTR F2 TO CTL F2	37
0106-00204	ASSY, DC/DC CONVERTER	32
0106-00204	ASSY, DC/DC CONVERTER	39
0106-00205	ASSY, MAIN CONTACTOR	32
0106-00205	ASSY, MAIN CONTACTOR	39
0106-00206	ASSY, FUSE STANDOFF	40
0106-00206	ASSY, FUSE STANDOFF	32
0106-00207	ASSY, BATTERY FUSE	40
0106-00207	ASSY, BATTERY FUSE	32
0106-00208	ASSY, POWER CABLE HARNESS	32
0106-00209	ASSY, ECM HARNESS	32
0106-00210	ASSY, WIRE HARNESS - POWER CABLE	34
0106-00210	ASSY, WIRE HARNESS - POWER CABLE	33, 34
0106-00225	ASSY, CABLE - BATTERY DISCONNECT TO B3	33
0106-00226	ASSY, CABLE - BATTERY DISCONNECT TO B4	33
0106-00227	ASSY, CABLE - BATTERY B3- TO B2+	33
0106-00228	ASSY, CABLE - BATTERY B2- TO B1+	33
0106-00229	ASSY, CABLE - BATTERY B6- TO B5+	33
0106-00230	ASSY, SWITCH BRAKE	25
0106-00230	ASSY, SWITCH BRAKE	24, 25
0106-00234	ASSY, WIRE HARNESS - TAIL LIGHT	29
0106-00234	ASSY, WIRE HARNESS - TAIL LIGHT	29
0106-00293	ASSY, HEAT SENSOR - BATTERY (FOR USE W	145
0106-00296	ASSY, SWITCH - TURN SIGNAL	31

Part #	Description	Page
0106-00473	ASSY, GROUND WIRE - HORN	89
0106-00482	ASSEMBLY, HARNESS, ZIVAN CHARGER	143
0106-00488	ASSY, LICENSE PLATE LAMP	136
0106-00504	CHARGER, ZIVAN - 110 VOLT	38
0106-00506	ASSEMBLY, HARNESS, THERMAL SENSOR	143
0106-00506	ASSY, HARNESS - CHARGER LIGHT / HEAT S	30
0106-00520	ASSEMBLY, HARNESS	143
0106-00520	ASSEMBLY, HARNESS CHARGER, ZIVAN -	38
0106-00525	ASSEMBLY, ECM HARNESS	35
0106-00531	ASSY, WIRE HARNESS - FRONT	36
0106-00539	ASSY, CHARGER RETROFIT 110 VOLT	143
0106-00585	ASSY, WIRE HARNESS - AUDIO PANEL	124
0106-00595	ASSY, HEATER CONTROL SWITCH	123
0106-00670	ASSY, WIRE HARNESS - HEATER FUSE	123
0106-00671	ASSY, WIRE HARNESS - HEATER / DEFROSTE	123
0106-00676	ASSY, CHARGING CORDSET KIT	113
0106-00678	ASSY, WIRE HARNESS - SPLIT HEATSINK JU	146
0106-00714	ASSY., BEACON - YELLOW WARNING	137
0106-00747	ASSY, JUMPER HARNESS - 48 VOLT	152
0106-00748	ASSY, POWER HARNESS - 48 VOLT	152
0106-00749	KIT, CHARGER - ZIVAN - 48 VOLT - SERVI	152
0106-00797	ASSY, WIRE HARNESS - POWER CABLE	34
0106-00797	ASSY, WIRE HARNESS-POWER CABLE - 2 PAS	34
0106-00826	ASSY, SERVICE KIT - CONTROLLER SPLIT HE	146
0106-00827	ASSY, WIRE - SPLIT HEAT SINK JUMPER	146
0106-00885	ASSY, WIRE HARNESS - RELAY, BACKUP	41
0107-00104	ASSY, SCUFF GUARDS - 2 PASS	110
0107-00322	ASSY, SOFT WEATHER ENCLOSURES - 4P - T	117
0107-00422	ASSY, LICENSE PLATE MOUNT - FRONT	135
0107-00475	ASSY, SCUFF GUARDS - 4 PASS	111
0107-00503	ASSY, OPTION - LICENSE PLATE LAMP - NEW	136
0107-00527	CENTER - STEERING WHEEL WITH CLIP	121
0107-00541	ASSY, SOFT ENCLOSURE - RH 4 PASS TWEED	117
0107-00542	ASSY, SOFT ENCLOSURE - LH 4 PASS TWEED	117
0107-00543	ASSY, REAR WINDOW - TWEED	116, 117
0107-00579	ASSY, HEATER/DEFROSTER UNIT	123
0107-00813	ASSY, SOFT WEATHER ENCLOSURES - 2 PASS	116
0107-00814	ASSY, SOFT ENCLOSURES - 2 PASS - RH	116
0107-00815	ASSY, SOFT ENCLOSURES -2 PASS - LH	116
0109-00059	ASSY, LINKSPAK	131
0109-00075	ASSY, UPPER FRAME LINKSPAK	132
0109-00075	ASSY, UPPER FRAME LINKSPAK -	131
0109-00095	ASSY, FRAME MOUNT - LINKSPAK	134
0109-00095	ASSY, FRAME MOUNT - LINKSPAK	131
0109-00099	ASSY, LOWER FRAME - LINKSPAK	133
0109-00099	ASSY, LOWER FRAME - LINKSPAK	131
0109-00113	ASSY, SWIVELPACK - ABS	130
0109-00162	ASSY, TURNBUCKLE	92
0109-00340	ASSY, SWIVEL PACK TUB	130
0109-00522	ASSY, STRAP - PAK - SAFETY	91
0109-00883	OWNERS PACKET, 2003 ALL MODELS GEM VE	102
0110-00077	ASSY, BATTERY TRAY - REAR MID	88
0110-00079	ASSY, BATTERY TRAY - REAR RH	88
0110-00108	ASSY, WIND SHIELD WIPER	94
0110-00108	ASSY, WINDSHIELD WIPER	95
0110-00128	ASSY, HOOK-J THREADED	89

Part #	Description	Page
0110-00588	ASSY, MIRROR - SIDE	80
0110-00695	ASSY, WIPER ARM	96
0110-00696	ASSY, WIPER ARM	95
0111-00261	ASSY, BRAKE HOSE - LH FRONT (LH BRKT T	8
0111-00262	ASSY, BRAKE HOSE - RH FRONT (RH BRKT T	9
0111-00263	ASSY, BRAKE LINE - FRONT (MC TO TEE)	27
0111-00264	ASSY, BRAKE LINE - FRONT LH (LH BRKT T	27
0111-00265	ASSY, BRAKE LINE - FRONT CROSSOVER (TE	27
0111-00267	ASSY, BRAKELINE - REAR (MC TO BRKT)	26
0111-00268	ASSY, BRAKE HOSE - REAR (TEE TO RH AN	6
0111-00269	ASSY, BRAKE HOSE - REAR (BRKT TO TEE)	6
0111-00336	ASSY, PARKING BRAKE LEVER	22
0111-00629	ASSY, PARK BRAKE LEVER BRACKET	23
0111-00690	ASSY, SERVICE KIT - PARKING BRAKE UPD	148
0111-00715	ASSY, SERVICE KIT - HYDRAULIC BRAKE S	142
0112-00130	ASSY, STEERING COLUMN	15
0112-00146	ASSY, STEERING GEAR	2
0112-00148	ASSY, STEERING WHEEL	16
0112-00635	ASSY, TIE ROD END	142
0112-00636	ASSY, STEERING GEAR SPACER KIT	141
0112-00646	ASSY, RACK AND PINION	12
0113-00685	ASSY, BOOT CLAMP REPLACEMENT KIT	149
0115-00861	ASSY, STEERING WHEEL PULLER	151
0116-00029	ASSY, WHEEL END - LH REAR (10MM STUD)	20
0116-00031	ASSY, WHEEL END - RH REAR (10MM STUDS)	19
0116-00032	ASSY, WHEEL END - FRONT (10MM STUDS)	18
0116-00165	ASSY, WHEEL END KIT - FRONT (12MM STUD	8, 9
0116-00165	ASSY, WHEEL END KIT - FRONT (12MM STUDS	18
0116-00166	ASSY, WHEEL END - RH REAR (12MM STUD)	6
0116-00166	ASSY, WHEEL END - RH REAR (12MM STUDS)	19
0116-00167	ASSY, WHEEL END KIT - LH REAR (12MM ST	6
0116-00167	ASSY, WHEEL END KIT - LH REAR (12MM STU	20
0116-00294	ASSY, WHEEL - 12"	128
0116-00298	ASSY, WHEEL - 10 INCH	127
0116-00691	ASSY, WHEEL - CHROME -10" - COMPLETE-12	122
0116-00692	ASSY, WHEEL - 10" - CHROME	122
0116-00755	ASSY, WHEEL - 10" - CARLISLE (12" Turf	127
0116-00805	ASSY, CHROME CENTER CAP WITH DECAL	122
0116-00806	ASSY, HUBCAP WITH DECAL - 10"	127
0153-01010	ASSY, LIGHTBAR - AMBER	125
0201-00061	WLD, SUPPORT FRM - FRT	2
0201-00061	WLDMT, SUPPORT FRM -FRT - FRONT MODULE	3
0201-00137	WELDMENT, FRONT BATTERY BRACKET	42
0201-00138	WELDMENT, REAR BATTERY HANDLE	43
0202-00154	WELD, PLATE SHOCK MOUNT REAR LONGBACK	150
0202-00155	WELD, PLATE SHOCK MOUNT REAR LONGBACK	150
0204-00086	WELDMENT, ROOF RAIL - LH 2 PASS PAINTE	47
0204-00087	WELDMENT, ROOF RAIL - RH 2 PASS PAINTE	47
0204-00088	WELDMENT, ROOF RAIL PAINTED	51
0204-00089	WELDMENT , ROOF RAIL PAINTED	51
0205-00039	WLD, REAR - SIDE KIT	114, 115
0205-00040	WLD, STAKE POCKET	114, 115
0205-00069	WLD, SIDE - LH SIDE KIT	114
0205-00070	WLD, SIDE - RH SIDE KIT SM UTILITY	114
0205-00084	WLD, BUMPER MOUNT - RH	113
0205-00085	WLD, BUMPER MOUNT - LH	113

Part #	Description	Page
0205-00114	WLD, SPAT SUPPORT - RH	62
0205-00115	WLD, SPAT SUPPORT - LH	62
0205-00123	WLD, SIDE - RH SIDE KIT	115
0205-00124	WLD, SIDE - LH SIDE KIT	115
0209-00047	WLD, FRAME MOUNT - LINKSPAK	134
0209-00048	WLD, FRAME - UPPER	132
0209-00049	WLD, FRAME - LOWER LINKSPAK	133
0209-00050	WLD, BRACE LINKSPAK	131
0209-00064	WLD, BRACE TUBE - LINKSPAK	131
0211-00113	WLD, PARK BRAKE LEVER BRACKET	23
0211-00116	WLDMT, BRAKE PEDAL	24
0211-00117	WLDMT, BRACKET REAR SEAT HOLDDOWN	61
0303-00137	YOKE, SUSPENSION	8, 9
0304-00146	SUPPORT, WINDSHIELD - UPPER FR	47
0304-00146	SUPPORT WINDSHIELD UPPER FRONT	52
0304-00148	SUPPORT, ROOF - REAR - 2 PASS	47
0304-00149	SUPPORT, WINDSHIELD - LOWER FRONT	47
0304-00149	SUPPORT, WINDSHIELD LOWER FRONT	52
0304-00152	SUPPORT, SUNROOF FRONT	52
0304-00153	SUPPORT, SUNROOF REAR	52
0304-00154	PANEL, SUNROOF 4 PASS GREY SMOKE	54
0304-00155	PANEL, ROOF 4 PASS FRONT	53
0304-00156	PANEL, ROOF 4 PASS REAR	55
0304-00157	PANEL, ROOF 2 PASS WHITE -	49
0304-00170	SHIELD, WIND	48
0304-00171	SUPPORT, ROOF - REAR 4 PASS	52
0304-00458	CONSOLE, RADIO ROOF MOUNTED	124
0305-00331	GUARD, MUD - LH RED	65
0305-00332	GUARD, MUD - RH RED	65
0305-00333	GUARD, MUD - LH WHITE	65
0305-00334	GUARD, MUD - RH WHITE	65
0305-00335	GUARD, MUD - LH YELLOW	65
0305-00336	GUARD, MUD - RH YELLOW	65
0305-00337	GUARD, MUD - LH BLUE	65
0305-00338	GUARD, MUD - RH BLUE	65
0305-00339	GUARD, MUD - LH GREY	65
0305-00340	GUARD, MUD - RH GREY	65
0305-00341	GUARD, MUD - LH GREEN	65
0305-00342	GUARD, MUD - RH GREEN	65
0305-00343	GUARD, MUD - LH BURG	65
0305-00344	GUARD, MUD - RH BURG	65
0305-00345	GUARD, MUD - LH CUSTOM	65
0305-00346	GUARD, MUD - RH CUSTOM	65
0305-00388	BRACKET, SAFETY - RH SEAT	71
0305-00406	PANEL, BACK	58
0305-00406	PANEL, BACK 2P-4P	57
0305-00411	PANEL, SIDE - LH 2 PASS	58
0305-00421	BRACE, HOOD HINGE - RH	89
0305-00422	BRACE, HOOD HINGE - LH	89
0305-00436	PAD, SPAT BRACKET	62
0305-00517	PANEL, SIDE - RH 2 PASS	58
0305-00629	PANEL, SIDE - LH 4 PASS ABS	59
0305-00630	PANEL, SIDE - RH 4 PASS ABS	59
0305-00722	BAR, MNT - HOOD HINGE	89
0305-00776	TRIM, SPLASH PROTECTION	94
0305-00781	GUARD, MUD, RED RH - COLOR MATCHED PLA	64

Part #	Description	Page
0305-00782	GUARD, MUD, RED LH - COLOR MATCHED PLA	64
0305-00783	GUARD, MUD, YELLOW RH - COLOR MATCHED	64
0305-00784	GUARD, MUD, YELLOW LH - COLOR MATCHED	64
0305-00785	GUARD, MUD, BLUE RH - COLOR MATCHED PL	64
0305-00786	GUARD, MUD, BLUE LH - COLOR MATCHED PL	64
0305-00787	GUARD, MUD, GREEN RH - COLOR MATCHED P	64
0305-00788	GUARD, MUD, GREEN LH - COLOR MATCHED P	64
0305-00789	GUARD, MUD, WHITE RH - COLOR MATCHED P	64
0305-00790	GUARD, MUD, WHITE LH - COLOR MATCHED P	64
0305-00791	GUARD, MUD, SILVER RH - COLOR MATCHED	64
0305-00792	GUARD, MUD, SILVER LH - COLOR MATCHED	64
0305-00793	SPAT, RED - COLOR MATCH PLASTIC WIDE	63
0305-00794	SPAT, YELLOW - COLOR MATCH PLASTIC WID	63
0305-00795	SPAT, BLUE - COLOR MATCH PLASTIC WIDE	63
0305-00796	SPAT, GREEN - COLOR MATCH PLASTIC WIDE	63
0305-00797	SPAT, WHITE - COLOR MATCH PLASTIC WIDE	63
0305-00798	SPAT, SILVER - COLOR MATCH PLASTIC WID	63
0305-00844	COWLING, INSTRUMENT POD - RH TEXTURED	13
0305-00845	COWLING, INSTRUMENT POD - LH TEXTURED	13
0305-00846	ASSY, INSTRUMENT POD FACE	13
0305-00846	FACE, INSTRUMENT POD - (WITH PLASTIC T	30
0305-00850	SHIELD, SPLASH GUARD - LH	45
0305-00851	SHIELD, SPLASH RH	45
0305-00873	BRACKET, SEAT BELT - LH	76
0305-00874	BRACKET, SEAT BELT - RH	77
0305-00875	COVER, SHOCK MOUNT - REAR	70
0305-00885	TRIM, HOOD - BLACK 10.5 INCH	67
0305-00926	BRACKET, SAFETY - LH SEAT	78
0305-00927	BRACKET, SAFETY - RH SEAT	78
0306-00107	SWITCH, BRAKE LAMP	25
0306-00108	SWITCH, BRAKE FAILURE - WARNING	25
0306-00494	BRACKET, MASTER DISCONNECT	97
0306-00497	HOLD DOWN, BATTERY - REAR CENTER	90
0306-00498	HOLD DOWN, BATTERY	90
0306-00499	HOLD DOWN, BATTERY	90
0306-00726	PLATE, MOUNT - ECM 72 VOLT- ZIVAN CHAR	32
0306-00799	PLATE, MOUNT - ZIVAN	143, 152
0306-00960	BRACKET, BATTERY - FRONT - -	42
0306-00996	KNOB, 1/4 - 20 3 PRONG	43
0306-00997	CORD, POWER - 48 VOLT A/C POWER CORD	152
0306-01262	WIRE, LIGHTBAR GROUND - 7'	125
0306-01263	WIRE, LIGHTBAR SUPPLY - 7'	125
0306-01264	WIRE, LIGHTBAR SWITCH SUPPLY - 16"	125
0307-00412	GUARD, SCUFF - RH BLACK PLASTIC 2 PASS	110
0307-00413	GUARD, SCUFF - LH BLACK PLASTIC 2 PASS	110
0307-00434	GUARD, SCUFF-RH-BLK PLC-4PASS-FIBERGLA	111
0307-00435	GUARD, SCUFF-LH-BLK PLC-4PASS-FIBERGLA	111
0307-00719	GUARD, SCUFF - RH BLACK PLASTIC 4 PASS	111
0307-00720	GUARD, SCUFF - LH BLACK PLASTIC 4 PASS	111
0307-01118	BAG, STORAGE - 2 PASSENGER CHAP DOORS	116
0307-01159	SOCKET, CHAP SUPPORT - ALUMINUM	118
0307-01159	SOCKET, CHAP SUPPORT - WHITE	117
0307-01169	SUPPORT, CHAP - 4 PASS 53.25"	117, 118
0309-00283	PLATE, LATCH MOUNT	91
0309-00284	BRACKET, LATCH MOUNT PLATE	91
0309-00399	SUPPORT, LYNXPAK COVER	132

Part #	Description	Page
0309-00402	COVER, UPPER FRAME - LYNXPAK - -	132
0309-00403	BASKET, PLASTIC RH LINKS PACK	132
0309-00404	BASE, BAG - LYNXPAK	133
0309-00431	MAT, HINGE BACKING	132
0309-00639	SUPPORT, FOAM BLOCK	130
0309-00640	TUBE, STABALIZER LINKSPAK	132
0309-00641	STRAP, BAG HOLDER LINKSPAK	132
0309-00642	PAD, BAG HOLDER - LH	133
0309-00643	PAD, BAG HOLDER - RH	133
0309-00644	BASKET, PLASTIC LH LINKS PACK	132
0309-00656	SUPPORT, HINGE	130
0309-00774	LID - LINKSPAK	132
0309-00854	TAB, TURNBUCKLE - PAK RELEASE	91
0309-01190	PLATE, ANCHOR - STRAP	131
0310-00160	MAT, FIREWALL - INNER	94
0310-00160	MAT, FIREWALL INNER	45
0310-00161	MAT, FIRE WALL OUTER	45
0310-00308	TRAY, BATTERY - FRONT	87
0310-00347	BASE, BATTERY TRAY - REAR MID	88
0310-00348	MAT, BATTERY TRAY - REAR MID	88
0310-00349	BASE, BATTERY TRAY - REAR SIDE	88
0310-00350	MAT, BATTERY TRAY - REAR SIDE	88
0310-00505	BKT, HEAD LIGHT - SECONDARY	67, 68
0310-00512	PROTECTOR, EDGE	32
0310-00637	EXTRUSION, SPECIAL - AWNING (120.00" R	117
0310-00651	ANGLE, SPASH PROTECTION	45
0310-00651	ANGLE, SPLASH PROTECTION	94
0310-00848	HOSE, 2" HEATER DUCT, 16" LENGTH	123
0310-00848	HOSE, 2" HEATER DUCT, 40" LENGTH	123
0310-00856	GASKET, SIDE MIRROR	80
0310-00867	BAG, CHARGING CORDSET	113
0310-00966	STRAP, SEAT BOTTOM RELEASE	78
0310-00980	ARM, WIPER	96
0310-01101	EXTRUSION, AWNING - WHITE - 80"	116
0310-01167	COVER, COSMETIC NUT - 5/8"	76, 77
0311-00077	BRKT, BRAKE PEDAL	24, 25
0311-00087	SHAFT, BRAKE PEDAL	24
0311-00088	BRKT, BRAKE CABLE - LH PARKING BRAKE	148
0311-00089	BUSHING, PUSH ROD MNT	24
0311-00100	BRKT, BRAKE CABLE - LH	6
0311-00101	BRKT, BRAKE CABLE - RH	6
0311-00105	BRKT, SWITCH - BRAKE	25
0311-00116	BRKT, BRAKE CABLE - RH PARKING BRAKE	148
0311-00117	BRKT, EQUALIZER - PARKING BRAKE CABLE	6
0311-00285	PAD, BRAKE PEDAL	24
0311-00533	BRACKET, BRAKE HOSE	26, 27
0311-00811	BRACKET, HOOD LATCH	94, 112
0311-00833	SHOE, BRAKE RIGHT	18, 19, 20
0311-00834	SHOE, BRAKE LEFT	18, 19, 20
0311-00883	SPRING, E-BRAKE RELEASE RH	20
0311-00884	SPRING, E-BRAKE RELEASE LH	19
0311-00944	SPACER, BRAKE PEDAL BRACKET	142
0311-00969	BUSHING, NYLON BLACK	148
0313-00168	BUMPER, RESILIENT - DIFF TO MOTOR	2
0313-00417	KEEPER, GEARBOX \ DIFF	2
0313-00591	HOSE, BREATHER - DIFFERENTIAL	2

Part #	Description	Page
0313-00894	MAGNET, SPEED SENSOR - FOR ELECTRIC 3.	144
0313-00895	SEAL, SPEED SENSOR - FOR ELECTRIC 3.5	144
0315-00112	PLATE, STEERING WHEEL PULLER	151
0315-00113	BOLT, STEERING WHEEL PULLER	151
0315-00134	PLATE, STEERING WHEEL PULLER	151
0317-00935	MOLDING, REAR WINDOW, TOP - 38"	119, 120
0317-00936	MOLDING, REAR WINDOW, SIDE - 15"	119, 120
0317-01063	EDGE TRIM, 2" LONG DUCT HOSE PROTECTIO	123
0317-01081	STRIP, VINYL - FOAM - 13.5"	119, 120
0318-00229	MAT, FLOOR - FRONT	81
0318-00230	MAT, FLOOR - REAR	81
0319-00534	HOSE, COVER	26
0350-00535	DECAL, I/P 72V	106
0350-00535	DECAL, I/P 72V (SEE DECAL SECTION FOR	30
0350-00536	DECAL, E825 - 7.75 X 3.50	59
0350-00536	DECAL, E825	107
0350-00536	DECAL, E825 - 7.75 X 3.50	58
0350-00538	DECAL, HOOD GRILLE - RH	67
0350-00538	DECAL, HOOD GRILLE - RH (ABS PLASTIC H	107
0350-00539	DECAL, 3 1/2" GEM - FRONT (OBSOLETE, U	107
0350-00540	DECAL, 1.875" GEM - REAR	107
0350-00542	DECAL, REFLECTORS	63
0350-00542	DECAL, REFLECTORS RED	104
0350-00544	DECAL, ON / OFF	97
0350-00544	DECAL, ON-OFF	98, 106
0350-00545	DECAL, WINDOW	106
0350-00546	DECAL, HOOD GRILLE - LH	67
0350-00546	DECAL, HOOD GRILLE - LH (ABS PLASTIC	107
0350-00548	DECAL, WARNING - 4 PASSENGER (4 PASSEN	104
0350-00549	DECAL, WARNING - 2 PASSENGER	104
0350-00550	DECAL, GLOBAL 888 NBR	106
0350-00553	DECAL, ARROW	106
0350-00554	DECAL, STEERING WHEEL	107
0350-00733	DECAL, LOW SPEED DISCLOSURE	106
0350-00748	DECAL, 3 1/2" GEM - FRONT (OBSOLETE, U	107
0350-00749	DECAL, HUBCAP 10"	107, 127
0350-00767	DECAL, LOAD LIMIT	130
0350-00767	DECAL, LOAD LIMIT - SWIVEL PACK	104
0350-00863	DECAL, DEALER RAMP, LH	104
0350-00864	DECAL, DEALER RAMP, RH	104
0350-00865	DECAL, HOOD GRILLE - RH (FIBER GLASS H	107
0350-00866	DECAL, HOOD GRILLE - LH (FIBER GLASS H	107
0350-00940	DECAL, NOTE-WINDOW OPENING INSTRUCTION	108
0350-00954	DECAL, STRIPE - HARD DOOR - 2PASS L	108
0350-00955	DECAL, STRIPE - HARD DOOR - 2 PASS RH	108
0350-00956	DECAL, STRIPE-HARD DR-4 PASS-FRONT-LH	108
0350-00957	DECAL, STRIPE-HARD DR-4 PASS-FRONT-RH	108
0350-00958	DECAL, STRIPE-HARD DR-4 PASS-REAR-LH	108
0350-00959	DECAL, STRIPE-HARD DR-4 PASS-REAR-RH	108
0350-01037	DECAL, HEATER DEFROSTER TOGGLE SWITCH	123
0350-01052	DECAL, 4" DIA. GEM - FRONT HOOD	67, 68, 107
0350-01053	DECAL, REFLECTIVE - RH FRONT YELLOW	68
0350-01054	DECAL, REFLECTIVE - LH FRONT YELLOW	68
0350-01066	DECAL, REFLECTIVE - FRONT YELLOW	68
0350-01071	DECAL, HOOD GRILLE - RH NY	68
0350-01072	DECAL, HOOD GRILLE - LH NY	68

Part #	Description	Page
0351-01163	BRKT, SPAT MOUNT - LH FRAME MOUNTED	147
0351-01195	ANGLE, HANGER BRACKET SPAT	147
0351-01196	BRKT, SPAT MOUNT - RH FRAME MOUNTED	147
0408-00139	ADHESIVE, METHACRYLATE	67
0417-00065	STRIP, WEATHER - FRONT SUNROOF (Former	53, 54
0417-00065	STRIP, WEATHER - REAR - REAR ROOF (For	55
0417-00065	STRIP, WEATHER - REAR SUNROOF (Formerl	54, 55
0417-00065	STRIP, WEATHER - SIDE - REAR ROOF (For	55
0417-00065	STRIP, WEATHER - SIDE SUNROOF (Formerl	54
0417-00065	STRIP, WEATHER LOWER WINDSHIELD (Forme	48
0417-00065	STRIP, WEATHER SIDE (Formerly 0304-001	48, 53
0417-00065	STRIP, WEATHER SIDE FRONT ROOF (Former	53
0417-00065	STRIP, WEATHER UPPER WINDSHEILD (Forme	48, 53
0417-00066	STRIP, VINYL - FOAM PVC VF-5100 SERIES	61
0417-00067	STRIP, ROOF REAR (Formerly 0304-00495)	50
0417-00067	STRIP, ROOF REAR (Formerly 0304-00496)	50
0417-00067	STRIP, TRIM - REAR REAR ROOF (formerly	56
0417-00067	STRIP, TRIM - SIDE - SUNROOF (formerly	56
0417-00067	STRIP, TRIM - SIDE FRONT ROOF - 4 PASS	56
0417-00067	STRIP, TRIM - SIDE REAR ROOF (formerly	56
0417-00067	STRIP, TRIM SIDE WINDSHIELD (Formerly	50
0417-00067	STRIP, TRIM SIDE WINDSHIELD (formerly	56
0417-00067	STRIP, TRIM UPPER WINDSHIELD (Formerly	50
0417-00067	STRIP, TRIM UPPER WINDSHIELD (formerly	56
0417-00089	TRIM, LOWER DASH - LH (Formerly 0305-0	83
0417-00089	TRIM, LOWER DASH - RH (Formerly 0305-0	83
0417-00089	TRIM, SPLASH PROTECTION (Finish Cut Le	45
0417-00134	WIRE, 18ga BLACK	137
0417-00141	TRIM, BACK PANEL - 2 PASS WHITE VINYL	57, 58
0417-00141	TRIM, EDGE - U SHAPE WHITE VINYL - 9"	59
0417-00167	WIRE, RED - 18ga	137
0417-00214	STRIP, WIDE TRIM - FRONT SUN ROOF (for	56
0417-00214	STRIP, WIDE TRIM - REAR SUN ROOF (form	56
0417-00214	STRIP, WIDE TRIM - UPPER WINDSHIELD (F	50
0417-00214	STRIP, WIDE TRIM - UPPER WINDSHIELD (f	56
0510-00007	PIN, COTTER	130
0510-00007	PIN, COTTER 3/32 X 1.0 LONG	24
0510-00018	CLIP, E - 7/16 SHAFT	6, 26
0510-00019	PIN, CLEVIS - 3/16 ANSI B18.8.1-1972 R	6
0510-00020	PIN, COTTER - 1/16 X 1.0 LG ZINC PLATE	6
0510-00103	HOOK, J - THREADED 1/4-20 UNC	89, 90
0510-00104	HOOK, "J" THREADED 1/4-20UNC	89
0510-00104	HOOK, "J" THREADED 1/4-20UNC	90
0510-00117	HOOK, J - THREADED 1/4-20UNC	90
0510-00137	TIE, CABLE W/#10 MOUNT HOLE 9 BLACK"	135
0510-00137	TIE, CABLE W/#10 MOUNT HOLE 9 BLACK"	67, 68
0510-00137	TIE, CABLE W/#10 MOUNT HOLE 9" BLACK	6, 13, 92, 123, 147
0510-00169	CLIP, HORSE SHOE	26, 27
0510-00171	CLAMP, P - 3/8 WIRE	26
0510-00171	CLAMP, P - 3/8 WIRE STL/BLK VYNAL COAT	6
0510-00249	TIE, CABLE BLACK 7.5"	141
0510-00274	HOOK, J THREADED 1/4-20 UNC X 3"	43
0510-00286	HOOK, J REAR PIVOT TUBE HOLD DOWN ZINC	43
0510-00287	PIN, LYNCH 3/16" ZINC PLATED	43
0510-00336	HOOK, J THREADED 1/4-20 UNC X 4"	42
0510-00342	O-RING, 3/32 C/S X 7/32 ID X 13/32 OD	43

Part #	Description	Page
0512-00250	SPACER, RACK AND PINION - NYLON - 35.	141
0518-00085	BUSHING, RUBBER	95
0519-00230	BUSHING, ID.64 X OD.84 X .50 NYLON 6/6	95
0519-00296	SPACER, .50 O.D. X .375	137
0520-00073	RIVET, PUSH - TUFLOK BLACK PLASTIC FAS	70, 148
0520-00073	RIVET, PUSH - TUFLOK FASTEX # M3.0800.	147
0520-00158	RIVET, POP - 3/16 ALUM .25 GRIP X .375	131, 132
0520-00175	RIVET, PIN - REMOVABLE	45, 94
0520-00186	RIVET, POP - ALUM 3/16 GRP .375 - .50	130
0521-00010	NUT, HEX - NYLOCK - 3/8-16 UNC GR5 ZIN	14, 115
0521-00010	NUT, HEX - NYLOCK 3/8-16 UNC GR5 ZN	3, 24, 61, 114
0521-00013	NUT, HEX - PANEL ZINC PLATED	25
0521-00014	NUT, KEPS - 12 - 24 UNC ZINC PLATED GR	135
0521-00017	NUT, HEX - NYLOCK - 5/16-18 UNC GR5 ZI	89
0521-00017	NUT, HEX - NYLOCK 5/16-18 UNC GR5 ZINC	15
0521-00017	NUT, HEX - NYLOCK 5/16-18 UNC GR5 ZN	13, 24, 61, 62, 66, 78, 131, 147
0521-00023	NUT, HEX - NYLOCK - M12 X 1.75 ZINC PL	2, 6, 10
0521-00023	NUT, HEX - NYLOCK M12 X 1.75 ZN	4, 5, 147
0521-00024	NUT, HEX FLANGE - TECH LOCK 1/2 - 13 U	76, 77
0521-00024	NUT, HEX FLANGE - TECK LOCK - 1/2 - 13	6, 46
0521-00024	NUT, HEX FLANGE 1/2-13 UNC GR 6 TECH L	51, 79
0521-00031	NUT, HEX - 5/16 - 18 UNC GRADE 5 ZINC	76, 77
0521-00031	NUT, HEX - 5/16-18 UNC GR 5	22
0521-00031	NUT, HEX - 5/16-18 UNC GR 5 ZN ZINC PL	35, 37, 61
0521-00035	NUT, HEX - TOP LOCK - M16 X 1.5 GRADE	18, 19, 20
0521-00050	NUT, HEX - NYLOCK - 1/4-20 UNC GR5 Z	89
0521-00050	NUT, HEX - NYLOCK - 1/4-20 UNC GR5 ZIN	90, 130
0521-00050	NUT, HEX - NYLOCK 1/4-20 UNC GR5 ZINC	39, 113
0521-00050	NUT, HEX - NYLOCK 1/4-20 UNC GR5 ZN	42, 81, 91
0521-00060	NUT, LUG M10 -1.5 (FOR V.I.N. 018997 A	127, 128
0521-00071	NUT, KEPS - 1/4 - 20 UNC	112
0521-00071	NUT, KEPS - 1/4 - 20 UNC ZINC PLATED	25, 94
0521-00071	NUT, KEPS - 1/4 - 20 UNC ZINC PLATED GR	58, 59, 61
0521-00092	NUT, WELL - 1/4 - 20 UNC - 5/8"	82
0521-00099	NUT, HEX - 1/4-20 UNC GR 5 ZN ZINC PLA	37, 38
0521-00099	NUT, HEX 1/4-20 UNC GR 5 ZINC PLTD	143
0521-00112	NUT, HEX - NYLOCK M8 X 1.25 ZINC PLATE	12
0521-00114	NUT, HEX - 1/2-13 UNC GR 5 ZN	16
0521-00116	NUT, NYLOCK - STEERING GEAR BALL JOINT	141
0521-00116	NUT, NYLOCK STEERING GEAR BALL JOINT	2
0521-00120	NUT, HEX FLANGE 1/2-13 SPIRALOCK	3
0521-00129	NUT, HEX FLANGE - TECH LOCK 7/16 - 14	76, 77
0521-00129	NUT, HEX FLANGE 7/16-14 UNC GR 5 ZN TE	79
0521-00145	NUT, HEX - #8 - 32 ZINC PLATED	37, 112
0521-00145	NUT, HEX - #8 - 32 ZINC PLATED -	35
0521-00147	NUT, HEX - M8 X 1.25 ZINC PLATED	35
0521-00149	NUT, HEX - M6 X 1.00 ZINC PLATED	40
0521-00161	NUT, SPEED #10 PHOS & OIL	65, 116, 117
0521-00194	NUT, HEX - SERRATED FLANGE - 3/8 - 24	92
0521-00194	NUT, HEX - SERRATED FLANGE 3/8 - 24 ZN	91
0521-00203	NUT, HEX - FLANGE TECH LOCK 5/16 - 18	76, 77
0521-00209	NUT, EXTERNAL TOOTH LOCK 10-24 UNC ZIN	130
0521-00209	NUT, HEX - EXTERNAL TOOTH LOCK - 10 -	137
0521-00214	NUT, LUG M12 -1.5 (FOR V.I.N. 018998 A	127, 128
0521-00225	NUT, EXTRUDED U-NUT 5/16 - 18 -	61

Part #	Description	Page
0521-00240	NUT, BINDING POST # 8-32 GRAY	124
0521-00244	NUT, HEX - 5/16-18 STAINLESS	33
0521-00251	NUT, HEX - NYLOCK L/N 5/16 - 18 NTE TH	91
0521-00272	NUT, HEX - NYLOCK M5 X 0.8 ZN	123
0521-00279	NUT, WELL - 1/4 - 20 UNC x 1"	62
0521-00279	NUT, WELL - 1/4 - 20 UNC x 1" - -	147
0521-00284	NUT, LUG - CHROME - 12 MM	122
0521-00319	NUT, WASHER LOCK #12 - MECH ZINC	64
0521-00322	NUT, HEX - NYLOCK - 7/16 - 20 UNC GR 8	76, 77
0521-00340	NUT, 10-32 NYLOCK - SS	117, 118
0522-00008	BOLT, HEX - HHCS 3/8-16 UNC x 1.5 LG	24
0522-00016	BOLT, HEX - HHCS	22
0522-00016	BOLT, HEX - HHCS 5/16 - 18 UNC X 1.0 G	13, 15, 24, 35, 37, 78, 147
0522-00021	BOLT, HEX - HHCS - 1/2 - 13 UNC X 1.0	6, 46
0522-00021	BOLT, HEX - HHCS 1/2 - 13 UNC X 1.0 G	51, 79
0522-00021	BOLT, HEX - 1/2 - 13 UNC X 1.0 GRADE 8	76, 77
0522-00038	BOLT, HEX - HHCS - M8 X 1.25 X 34.5 GR	18, 19, 20
0522-00044	BOLT, HEX - HHCS - M12 X 1.75 X 90 CL	2
0522-00044	BOLT, HEX - M12 X 1.75 X 90 LG HHCS -	4, 5
0522-00046	BOLT, HEX - HHCS - M12 X 1.75 X 65 LG	8, 9
0522-00046	BOLT, HEX - M12 X 1.75 X 65 LG	10
0522-00047	BOLT, HEX - HHCS - M6 X 1.0 X 35 LG GR	8, 9
0522-00048	BOLT, HEX - M12 X 1.75 X 55 LG HHCS -	4, 5
0522-00049	BOLT, HEX - 1/4 - 28 UNF X 1.0 GR 2	143
0522-00051	BOLT, HEX - HHCS 5/16 - 18 UNC X 2.0 G	62, 66, 89, 131
0522-00056	BOLT, HEX - HHCS 1/4 - 20 UNC X 1.0	89
0522-00056	BOLT, HEX - HHCS - 1/4 - 20 UNC X 1.0	2
0522-00056	BOLT, HEX - HHCS 1/4 - 20 UNC X 1.0 GR	37, 38, 39, 91
0522-00059	BOLT, HEX - HHCS - 1/2 - 13 UNC X 2.5	46
0522-00059	BOLT, HEX - HHCS 1/2 - 13 UNC X 2.5 LG	51
0522-00063	BOLT, HEX - HHCS 3/8-16 UNC x 1.0 LG	3, 61, 114, 115
0522-00076	BOLT, HEX - HHCS 1/2 - 13 UNC X 3.0 G	3
0522-00080	BOLT, HEX - HHCS - 5/16 - 18 UNC X 1.2	2
0522-00084	BOLT, HEX - HHCS 5/16 - 18 UNC X 1.5 G	24
0522-00088	BOLT, HEX - HHCS - M12 X 1.75 X 110 LG	6
0522-00088	BOLT, HEX - M12 X 1.75 X 110 LG HHCS -	4, 5
0522-00097	BOLT, HEX HD	94
0522-00097	BOLT, HEX HD - 1/4-20 UNC GRADE 5 ZINC	112
0522-00111	BOLT, HEX - M8 X 1.25 X 90 LG GR 8.8 Z	12
0522-00113	BOLT, HEX - HHCS 3/8-16 UNC X 1.75 LG	14
0522-00121	BOLT, WELD - PROJECTION 5/16 - 18 UNC	61
0522-00144	BOLT, HEX - HHCS	23
0522-00144	BOLT, HEX - HHCS 5/16 - 18 UNC X .75	78
0522-00146	BOLT, HEX - M8 X 1.25 X 16 LG HHCS -	35, 40
0522-00164	BOLT, HEX 7/16 - 14 UNC X 1.25 GR 8 ZI	79
0522-00170	BOLT - BANJO	8, 9
0522-00179	BOLT, HEX 1/4-20 UNC X .75 LG SERATED	25
0522-00184	BOLT, CARRIAGE - 1/4 - 20 UNC X 1.00 L	113
0522-00185	BOLT, SHOULDER - 5/16 X 1 LG 1/4 - 20	130
0522-00207	BOLT, HEX HD 1/4-20 X 2.00 UNC GR 5 ZI	113
0522-00228	BOLT, TORX HD 5/16 - 18 X 1 1/4" ZN PL	91
0522-00229	BOLT, TORX HEAD 1/2 - 13 X 1" GR 8 ZN	79
0522-00238	BOLT, HEX HD 1/4-20 UNC X 1.25 GR 5 ZI	78
0522-00252	BOLT, HEX - 7/16 - 14 UNC X 1.0 GRADE	76, 77
0522-00270	BOLT, HEX - M8 X 0.8 X 25 LG HHCS - GR	123

Part #	Description	Page
0522-00321	BOLT, HEX - 7/16 - 14 UNC X 1.25 GRD	77
0522-00333	BOLT, TORX - TRUSS HD - 1/4 - 20 X 1 -	59
0522-00346	BOLT, 3/8 - 16 UNC X 3-1/4 HEX HEAD GE	151
0523-00032	SCREW, HEX - WASHER HEAD SELF DRILL 1/	6, 47, 145
0523-00032	SCREW, HEX - WHSD 1/4 X .75 ZN	26, 27, 45, 52, 83, 87, 88, 89, 92, 94, 98, 123, 135
0523-00032	SCREW, HEX - WHSD 1/4 X .75 ZN - -	42,91,131,132,147
0523-00052	SCREW, MACH - OVAL PHIL 1/4 - 20 UNC X	81
0523-00057	SCREW, C'SNK PHIL FLAT - # 6 X 3/4 STA	117
0523-00057	SCREW, C'SNK PHIL FLAT - #6 X 3/4 LG S	52
0523-00057	SCREW, C'SNK PHIL FLAT - #6 X 3/4 STAI	47, 116
0523-00064	SCREW, PHIL PAN HEAD- #6 X 3/4 LG BLA	80
0523-00064	SCREW, PHIL PAN HEAD- #8 X 1 SLF THRD	132, 133
0523-00066	SCREW, PHIL PAN HEAD - #6 X 3/8 BLACK	80
0523-00074	SCREW, T/S TYPE A - OVAL PHIL # 12 X 1	71
0523-00074	SCREW, T/S TYPE A OVAL PHIL # 12 X 1 L	132
0523-00105	SCREW, SELF DRILL - #8-18 X 3/4	88
0523-00110	SCREW, MACH - #8 - 32 X 1/2 ZINC PLAT	112
0523-00110	SCREW, MACH PAN HEAD PHIL 8-32 X 1/2 S	35, 37
0523-00122	SCREW, HEX - WASHER HEAD SELF DRILL 1/	29, 143
0523-00122	SCREW, HEX - WHSD 1/4 X 1.5 ZINC PLATE	57, 58, 61, 78, 89, 92
0523-00134	SCREW, MACHINE #12-24 x 1 HEX SLOT HEA	135
0523-00148	SCREW, MACH PAN HEAD PHIL 6-32 X 3/8 L	39
0523-00150	SCREW, MACH - PAN HEAD PHIL 1/4 - 20 U	35
0523-00162	SCREW, #12 x 1-1/4 PHIL PAN SS	65
0523-00162	SCREW, PHIL PAN HEAD- #12 X 1 1/4 LG S	64
0523-00163	SCREW, HEX - WHSD 10 - 16 X 1/2 # 2 PO	45, 94
0523-00165	SCREW, PHIL PAN HEAD- #4 X 3/8 PHIL P	13
0523-00168	SCREW, PHIL TRUSS HEAD-#8-1 3/4 LG	92
0523-00176	SCREW, DRILL - HEX WASHER HEAD #6 X 3/	125
0523-00176	SCREW, HEX - WHSD #6 x 3/4 ZINC PLATE	13, 132
0523-00177	SCREW, HI LOW - PHIL PAN #10 X 1 BLACK	116, 117
0523-00177	SCREW, HI-LOW - PHIL PAN #10 X 1 BLANK	16
0523-00190	SCREW, TEK - PHIL PAN # 8 - 18 X 1 #2	117
0523-00190	SCREW, TEK - PHIL PAN #8 - 18 X 1 #2 P	116, 137
0523-00200	SCREW, TEK - PHI OVL #8-18 X 1 1/4 #2	91
0523-00200	SCREW, TEK - PHIL OVAL #8 - 18 X 1 1/4	92
0523-00208	SCREW, PHIL PAN HEAD- #10 X 1.0 LG STL	80
0523-00210	SCREW, MACHINE - #10 - 24 X 3/4" CARRI	137
0523-00210	SCREW, MACHINE - CARRIAGE 10-24 UNC ZI	130
0523-00241	SCREW, BINDING POST #8-32 X .375 WHITE	124
0523-00253	SCREW, #4 x 5/8" PH PAN T/S A 18-8 18-	13
0523-00264	SCREW, MACHINE - ROUND HEAD HEX SOCKET	144
0523-00273	SCREW, PHIL FLAT FT THRD ROL TT - 1/4	78
0523-00280	SCREW, MACH - TRS HD PHL 1/4-20 UNC X	82
0523-00280	SCREW, MACH - TRUSS HEAD PHIL 1/4-20 U	58
0523-00280	SCREW, MACH TRUSS HEAD PHIL 1/4 - 20 U	61, 63
0523-00298	RECEIVER, PLASTIC - BLACK	116, 117
0523-00308	SCREW, REAR WINDOW MOUNTING	119, 120
0523-00337	SCREW, 10-32 x 3/4 PH FL HD - SS	117, 118
0523-00339	SCREW, 10-32 x 1.25" PH FL HD - SS	117, 118
0523-00347	SCREW, MACH TRUSS HEAD PHIL 1/4 - 20 U	147
0524-00003	WASHER, FLAT - 5/16 SAE	12, 23, 90

Part #	Description	Page
0524-00003	WASHER, FLAT - 5/16 SAE .344 ID X .688	13, 15, 24, 35, 37, 39, 62, 66, 78, 89, 131, 147
0524-00009	WASHER, FLAT - 3/8 SAE .406 ID X .8125	3, 24, 61, 114, 115
0524-00036	WASHER, FLAT - M16 NARROW 17.52 ID 32	18, 19, 20
0524-00045	WASHER, FLAT - M12	10
0524-00045	WASHER, FLAT - M12 .512 ID X .944 OD X	5
0524-00053	WASHER, FLAT - 1/4 BLACK PLASTIC	63, 147
0524-00054	WASHER, COUNTER SINK 1/4 INCH	81
0524-00062	WASHER, FLAT - 1/4 .282 ID X .715 OD X	25, 42, 81, 113
0524-00081	WASHER, LOCK - 1/2	2, 23
0524-00081	WASHER, LOCK - 5/16 ZINC PLATED	37, 40
0524-00081	WASHER, LOCK - 5/16 ZINC PLATED -	35, 78
0524-00083	WASHER, SHOULDER - NAT NYLON 1/4 INC	89
0524-00089	BUSHING, STEEL - .875 OD X .50 ID X .5	6
0524-00089	BUSHING, STEEL .875 OD X .50 ID X .50	4, 5
0524-00109	WASHER, LOCK - #8 ZINC PLATED	112
0524-00109	WASHER, LOCK - #8 ZINC PLATED	37, 39
0524-00109	WASHER, LOCK - #8 ZINC PLATED -	35
0524-00115	WASHER, FLAT - M12	16, 23
0524-00115	WASHER, FLAT - M12 13mm ID X 24mm OD	4, 51, 78, 79
0524-00115	WASHER, FLAT - M12 13mm ID X 24mm OD X	2, 46
0524-00115	WASHER, FLAT - M12 13mm ID x 24mm OD x	76, 77
0524-00142	WASHER, LOCK - 1/4 ZINC PLATED	37
0524-00142	WASHER, LOCK - 1/4 ZINC PLATED -	38
0524-00142	WASHER, LOCK - 1/4 ZINC PLATED	143
0524-00152	WASHER, LOCK 5/16 INTERNAL TOOTH ZINC	33
0524-00153	WASHER, FLAT - 5/8 MACH BUSHING 5/8 ID	24
0524-00159	WASHER, FLAT .192 ID X .437 OD X .050	13, 132
0524-00167	WASHER, FLAT - 5/16 X 1.5 OD ZINC PLAT	78
0524-00173	WASHER , COPPER	6, 8, 9
0524-00178	WASHER, LOCK 3/8 INTERNAL TOOTH ZINC	14, 114
0524-00178	WASHER, LOCK - INTERNAL STAR ZINC PLAT	8, 9, 115
0524-00189	WASHER, FLAT .187 ID X .625 OD X .062	132, 133
0524-00271	WASHER, FLAT - M5	123
0524-00310	WASHER, BELL - 5/16	76, 77
0524-00315	WASHER, FENDER - .25 ID x 1.0 OD gener	78
0524-00324	WASHER, FLAT - NEOPRENE - 0.5" OD - 0.	119, 120
0524-00341	WASHER, # 10 FLAT - SS	117
0524-00341	WASHER, #10 FLAT - SS	118
0528-00231	BUSHING	94, 112
0532-00122	SCREW, HEX - WHSD 1/4 X 1.5 ZINC PLATE	59
0605-00186	SEAT, BUCKET - FABRIC W/ ADJUSTMENT KI	138
0605-00236	STEM, SEAT HOLD DOWN	78
0605-00237	SOCKET, SEAT HOLD DOWN	23, 78
0605-00245	KIT, LATCH HOOD	112
0605-00291	KIT, SAFETY RESTRAINT - 3 POINT FRONT	76, 77
0605-00296	KIT, SAFETY RESTRAINT - 3 POINT (NEW S	79
0605-00357	SLIDE, SEAT- NO HANDLE WITH SCREWS	76, 77
0605-00358	SLIDE, SEAT- WITH HANDLE WITH SCREWS	76, 77
0606-00050	BATTERY, 12 VOLT DEEP CYCLE -	42, 43
0606-00060	FUSE, BATTERY	40
0606-00061	FUSE, FLASHER UNIT	32
0606-00062	STANDOFF, FUSE	40
0606-00086	RECEPTACLE, CHARGER 125 VOLT 15 AMP	145

Part #	Description	Page
0606-00088	CHARGER, 72 VOLT 10 AMP OUTPUT 110 VOL	145
0606-00089	SWITCH, ROTARY - MASTER DISCONNECT	97
0606-00094	TERMINAL, RING 22-18 #6	137
0606-00095	TERMINAL, RING - INSULATED 22-18 1/4"	125
0606-00096	CONNECTOR, BUTT - INSULATED 22-18	125, 137
0606-00102	CONTROLLER, ELECTRIC MOTOR - 8.91 GR,	37
0606-00103	CONVERTER, DC/DC (UNDER PW BOARD)	39
0606-00104	CONTACTOR, MAIN	39
0606-00117	TERMINAL, SPADE - MALE INSULATED 1/4"	137
0606-00117	TERMINAL, SPADE - MALE INSULATED 1/4 2	135
0606-00133	LAMP, INDICATOR - TURN	30
0606-00134	SWITCH, TOGGLE SPDT WIPER	30
0606-00135	SWITCH, TOGGLE SPST TURF	30
0606-00136	SWITCH, TOGGLE SPST HEAD LAMP	30
0606-00136	SWITCH, TOGGLE, SPST, HEAD LAMP	125
0606-00137	SWITCH, TOGGLE SPDT FWD REV	30
0606-00138	GAGE, BDI BATTERY DISCHARGE INDICATOR	30
0606-00140	SWITCH, PUSH BUTTON HORN	30
0606-00176	CONNECTOR, T - WIRE	98, 123, 135, 146
0606-00189	HORN	89
0606-00190	CHARGER, 72 VOLT 10 AMP OUTPUT 110 VOL	38, 143
0606-00191	ASSY, LIGHTBAR - SECURITY - AMBER	125
0606-00200	SENSOR, SPEED	144
0606-00201	KIT, MAGNET - MOTOR	144
0606-00201	KIT, MAGNET - MOTOR	144
0606-00259	CONTACTOR, HEATER-12VDC COIL	123
0606-00264	STRAP, TIE	137
0606-00266	CORDSET, CHARGING, 25'-14/3 W/GFCI PLU	113
0606-00277	CONTROL - ELEC MTR, 10.35 GR, 5 HP (12	37
0606-00285	TERMINAL, SPLICE TAP, SEALANT FILLED,	137
0606-00293	FUSE, ATC-10	123
0606-00306	CHARGER, 48 VOLT - ZIVAN	152
0606-00403	TERMINAL, SPADE - FEMALE INSULATED 1/4	123, 125
0607-00164	KIT, LICENSE PLATE MOUNT / LIGHT	135
0607-00180	BRACKET, LICENSE PLATE - FRONT	135
0607-00224	LIGHT, WARNING BEACON	137
0607-00251	TEE, PLASTIC - 2" BARBED	123
0607-00284	VENT, ROUND - 2" BARBED	123
0609-00045	LATCH, PACK - -	91
0609-00054	BOOT, RUBBER - PAK LEG	130, 132, 134
0609-00068	HANDLE, LOCK - SWIVEL PAK	91, 92
0609-00075	PIN, CLEVIS 1/2" DIA x 2.5" LG - SWIVE	130
0609-00098	ASSY, TURNBUCKLE PACK - RELEASE	91
0609-00165	STRUT, GAS - PACK	130
0609-00166	BASKET, WIRE LINKSPAK	132
0609-00167	BUCKLE, BAG RETAINER LINKSPAK	132
0609-00168	HINGE, LID - LINKSPAK	132
0609-00169	HANDLE, LINKSPAK - BLACK	132
0609-00193	LATCH, SLAM - BLACK - KEYED	130
0610-00023	MIRROR, REARVIEW - SCREW ON MODEL	80
0610-00024	CAP, TUBE - PLASTIC 1 X 2 BLACK	114, 115
0610-00058	KIT, WIPER MOTOR	96
0610-00079	PLATE, MOUNTING	89
0610-00099	3/4 SQUARECRADLEMOUNTNYL	67
0610-00099	3/4 SQUARECRADLEMOUNTNYL"	68
0610-00188	DECAL, WARNING - HIGH VOLTAGE	104

Part #	Description	Page
0610-00243	MIRROR, SIDE (MIRROR IS INTERCHANGABLE	80
0610-00270	BLADE, WIPER	96
0610-00299	BUMPER, SEAT BASE/BACK	78
0610-00360	CAP, SCREW THREAD, BLACK VINYL - .25 X	123
0610-00365	LOCK, GLOVE BOX	82
0611-00001	ASSY, CABLE - PARKING BRAKE	6
0611-00051	CYLINDER, MASTER	24
0611-00132	FITTING, TEE UNION	27
0611-00132	FITTING, TEE UNION - BRASS 3/8-24 THD	6
0611-00202	KIT, CYLINDER - BRAKES - FRONT	18
0611-00203	KIT, CYLINDER - BRAKE - REAR	19, 20
0611-00305	SPRING, PARKING BRAKE CABLE	148
0612-00033	SHAFT, STEERING	14
0612-00034	WHEEL, STEERING	16
0612-00043	COVER, STEERING WHEEL	16
0613-00008	MOTOR, ELECTRIC - 72 VOLT 3.5 HP	2
0613-00008	MOTOR, ELECTRIC - 72 VOLT 3.5HP	144
0613-00011	ASSY, GEAR BOX \ DIFFERENTIAL - 72 VOL	2
0613-00013	ASSY, HALF SHAFT	2
0613-00195	ASSY, BOOT KIT - HALFSHAFT - INNER	140
0613-00196	ASSY, BOOT KIT - HALFSHAFT - OUTER	140
0613-00248	MOTOR, ELECTRIC 5HP	2
0613-00249	ASSY, GEAR BOX \ DIFFERENTIAL - 72 VOL	2
0613-00302	CLAMP, BOOT - HALFSHAFT SMALL REPLACEM	149
0616-00157	COVER, WHEEL 10"	127
0616-00183	COVER, WHEEL - 12 INCH (NEW STYLE WHEE	128
0650-00209	DECAL, WARNING - HIGH VOLTAGE - PSA	98, 104
0910-00013	ZIPPER BAG, 6" X 8" - 4 MIL LOW DENSI	101, 102
1010-00020	MANUAL, OWNERS	99, 101, 102
1010-00021	MANUAL, SERVICE	99
1010-00024	INSTRUCTION, HEATER / DEFROSTER INSTAL	123
1010-00029	INSTRUCTION, HOOD LATCH KIT INSTALLAT	112
1010-00030	INSTRUCTION, STEREO INSTALLATION	124
1010-00031	INSTRUCTION, STEERING GEAR SPACER INST	141
1010-00032	INSTRUCTION, ZIVAN CHARGER RETROFIT 11	143
1010-00036	CATALOG, PARTS	99
1010-00037	VIDEO, - SAFETY, OPERATION, MAINTENANC	99, 101, 102
1010-00038	BOOKLET, LEMON LAW - OWNERS RIGHTS UND	101, 102
1010-00042	WARRANTY, GEM 2002	101
1010-00044	GUIDE, QUICK REFERENCE - OPERATION, ST	101, 102
1010-00045	FORM, LIMITED WARRANTY REGISTRATION W/	101, 102
1010-00046	PROGRAM, GEM DIRECT MOBILE SERVICE OPT	101, 102
1010-00053	INSTRUCTION, REMOVAL AND INST. OF SMAL	149
1010-00056	INSTRUCTION, SERVICE KIT PARKING BRAKE	148
1010-00058	INSTRUCTION, BRAKE PEDAL BRACKET SPACE	142
1010-00059	INSTRUCTION, BEACON LIGHT INSTALLATION	137
1010-00070	INSTRUCTIONS, SERVICE KIT- CONTROLLER	146
1010-00080	WARRANTY, GEM 2003	102
1010-00081	WARRANTY, TROJAN BATTERY	102
1010-00082	WARRANTY, GOOD YEAR - LIMITED TIRE	102
1010-00083	WARRANTY, NANKANG - LIMITED TIRE	102
1010-00084	WARRANTY, GEM GEL BATTERY	102
1010-00085	VIDEO, HARD DOOR INSTALLATION - 2 PASS	99
1010-00091	INSTRUCTIONS, ACRYLIC REAR WINDOW INST	119, 120
1010-00094	INSTRUCTIONS, LICENSE PLATE BRACKET LI	135
1010-00135	INSTRUCTIONS, SPAT BRACKET RETROFIT -	147

Part #	Description	Page
1010-00141	INSTRUCTIONS, AMBER LIGHT BAR - INSTAL	125
1010-00142	INSTRUCTIONS, 48 VOLT ZIVAN CHARGER IN	152
1010-00146	INSTRUCTIONS, CHAP SUPPORT RETROFIT -	118
1010-00148	INSTRUCTIONS, SHOCK MOUNT INSTALLATION	150
1015-00079	INSTRUCTIONS, STEERING WHEEL REMOVAL T	151
1053-00077	INSTRUCTIONS, 2 PASS SOFT WEATHER ENCL	116
1104-00030	ASSY, ROOF ASSEMBLY	46
1105-00010	ASSY, OUTER FIREWALL MAT	94
1106-00009	ASSY, GROUND WIRE - LICENSE	135
1106-00043	ASSY, TAIL LIGHT	93
1106-00043	ASSY, TAIL LIGHT	93
1106-00049	ASSY, IGNITION SWITCH	30
1110-00043	ASSY, TAIL LIGHT	92
1111-00003	ASSY, BRAKELINE - STEEL FRONT	27
1111-00003	ASSY, BRAKELINE - STEEL FRONT	27
1111-00005	ASSY, BRAKE PEDAL BRACKET W/ SWITCHES	25
1111-00019	ASSY, BRAKE LINE - REAR - 2 PASS	26
1111-00020	ASSY, BRAKELINE FRONT	27
1111-00065	ASSY, PARKING BRAKE LEVER	22
1112-00022	ASSY, STEERING SHAFT	14
1202-00021	KIT, SHOCK MOUNT INSTALLATION - SERVICE	150
1202-00022	KIT, SHOCK MOUNT INSTALLATION, NARROW S	150
1205-00001	ASSY, HOOD RED CMP - SERVICE	67
1205-00002	ASSY, HOOD YELLOW CMP - SERVICE	67
1205-00003	ASSY, HOOD BLUE CMP - SERVICE	67
1205-00004	ASSY, HOOD GREEN CMP - SERVICE	67
1205-00005	ASSY, HOOD WHITE CMP - SERVICE	67
1205-00006	ASSY, HOOD SILVER CMP - SERVICE	67
1205-00013	KIT, SPAT MOUNTING RETROFIT - SERVICE	147
1205-00014	KIT, HOOD, RED - COLOR MATCHED PLASTIC	68
1205-00015	KIT, HOOD, YELLOW - COLOR MATCHED PLAST	68
1205-00016	KIT, HOOD, BLUE - COLOR MATCHED PLASTIC	68
1205-00017	KIT, HOOD, GREEN - COLOR MATCHED PLASTI	68
1205-00018	KIT, HOOD, WHITE - COLOR MATCHED PLASTI	68
1205-00019	KIT, HOOD, SILVER - COLOR MATCHED PLAST	68
1205-00020	KIT, CHAP SUPPORT RETROFIT - SERVICE	118
523-00032	SCREW, HEX - WASHER HEAD SELF DRILL 1/4	97



Global Electric Motorcars, LLC

A DaimlerChrysler Company

1301 39th St NW
Suite 2
Fargo, ND 58102
Phone: 866.764.0616
or 701.232.2500
Fax: 701.446.0105

www.gemcar.com