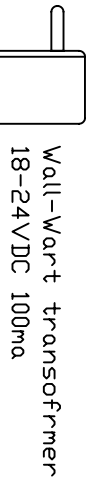


# APPENDIX A

PART NO.	
----------	--



18-24vdc  
Regen-Pins 5,6,9,10  
Series Pin 1



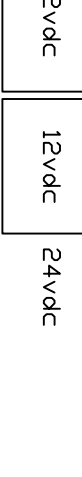
18vdc  
Regen-Pins 5,6,9,10  
Series Pin 1



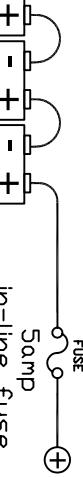
24vdc  
Regen-Pins 5,6,9,10  
Series Pin 1



24vdc  
Regen-Pins 5,6,9,10  
Series Pin 1

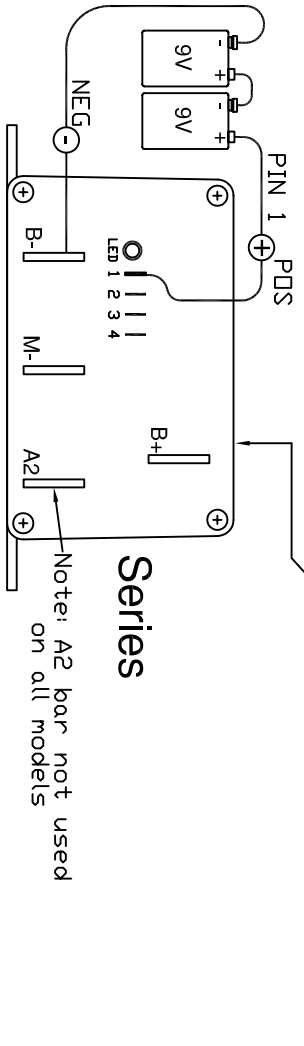
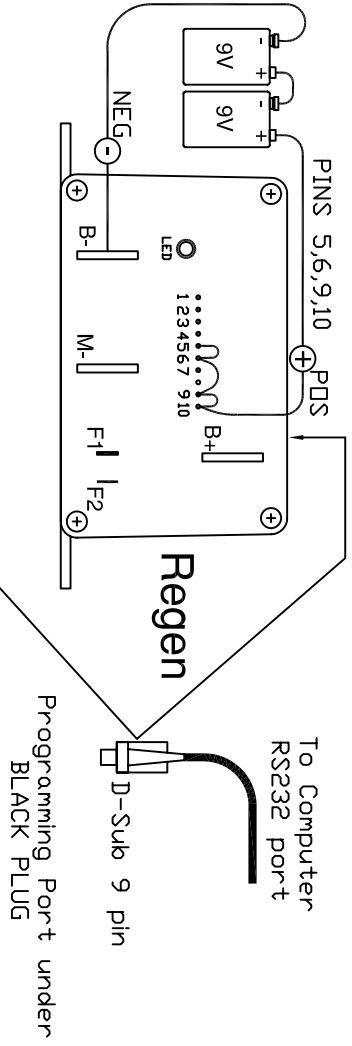


24vdc  
Regen-Pins 5,6,9,10  
Series Pin 1



24vdc  
Regen-Pins 5,6,9,10  
Series Pin 1

CAUTION: Observe polarity when connecting DC Source



DO NOT EXCEED  
CONTROLLER VOLTAGE RATING

>This diagram assumes the controller is programmed out of the vehicle  
>See Controller Pro operators manual for more information  
>FAILURE TO OBSERVE POLARITY WILL DAMAGE THE CONTROLLER AND VOID THE WARRANTY

**PROCEDURE:**

1. Connect two 9 volt batteries in series (observe the polarity of the batteries)
  2. Connect the PC Computer cable
  3. Start Controller Pro Program
  4. Program the unit and disconnect the assembly
- > When in doubt - CALL D&D Customer Service! <

DO NOT SCALE DRAWING

REVISIONS		DWG SCALE: NTS		TITLE	
REV.	ECO.	DATE	APVD	DRWN	ENGR
A	102406	102406	TT	D.Crockett	102406
<p>THE ORIGINAL DATA IS PROPRIETARY AND SHALL NOT BE REPRODUCED IN WHOLE OR PART WITHOUT WRITTEN PERMISSION OF D&amp;D</p>					
D&D Motor Systems, Inc.			215 Park Ave. Syracuse, NY 13204 PHONE:(315) 701-0635		
SIZE DOCUMENT NO.		REV.		REV.	
A S Doc100-033		A		A	
<p>PHEDD-033-A-DWG-Controller-Program-Diagram-SHEET 1 of 1</p>					