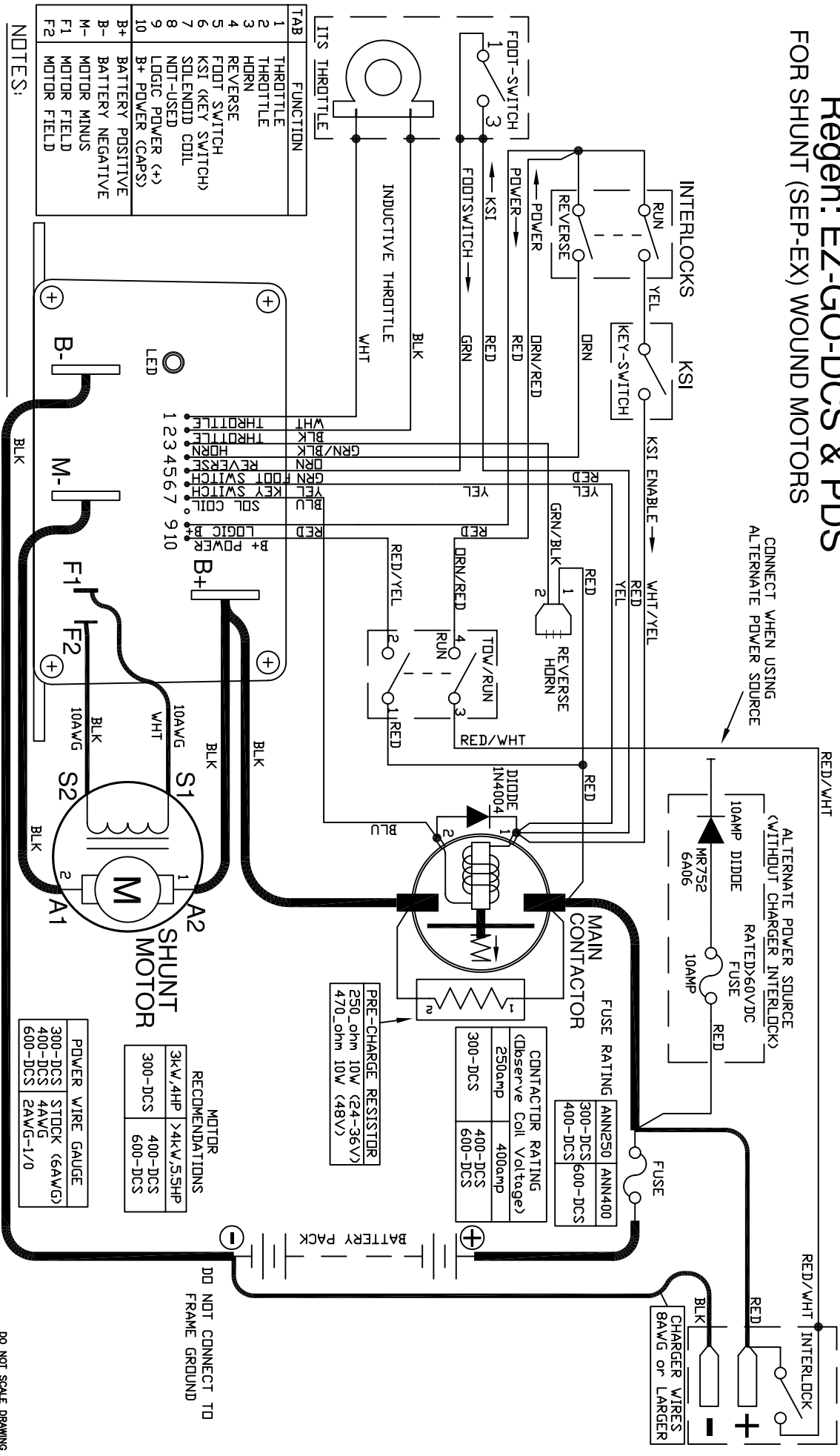


# Regen: EZ-GO-DCS & PDS FOR SHUNT (SEP-EX) WOUND MOTORS



|          |            |
|----------|------------|
| PART NO. | Doc100-051 |
| DATE     | 1/19/2007  |

| REVISIONS   |        | DWG SCALE: NTS |   | PROPERTY |            |
|---|--------|----------------|---|----------|------------|
| REV.  | ECO.   | DATE           | APVD  | DRAWN    | T.Thorne   |
| A   | 010407 | 010407         | TT  | ENGR     | D.Crockett |
| THE TECHNICAL DATA IS ENGINEERING PROPERTY AND SHALL NOT BE USED, REPRODUCED, COPIED, OR TRANSMITTED IN ANY MANNER WITHOUT THE WRITTEN PERMISSION OF D&D. |        |                |   |          |            |
| <b>D&amp;D Motor Systems, Inc.</b><br>215 Park Ave.<br>Syracuse, NY 13204<br>PHONE:(315) 701-0635   |        |                | <b>Regen - EZ-GO DCS &amp; PDS Car</b><br>Wiring Diagram<br>SIZE DOCUMENT NO.<br>A S Doc100-051 |          |            |
| REV.  | A      | SHEET 1 of 1   |   |          |            |