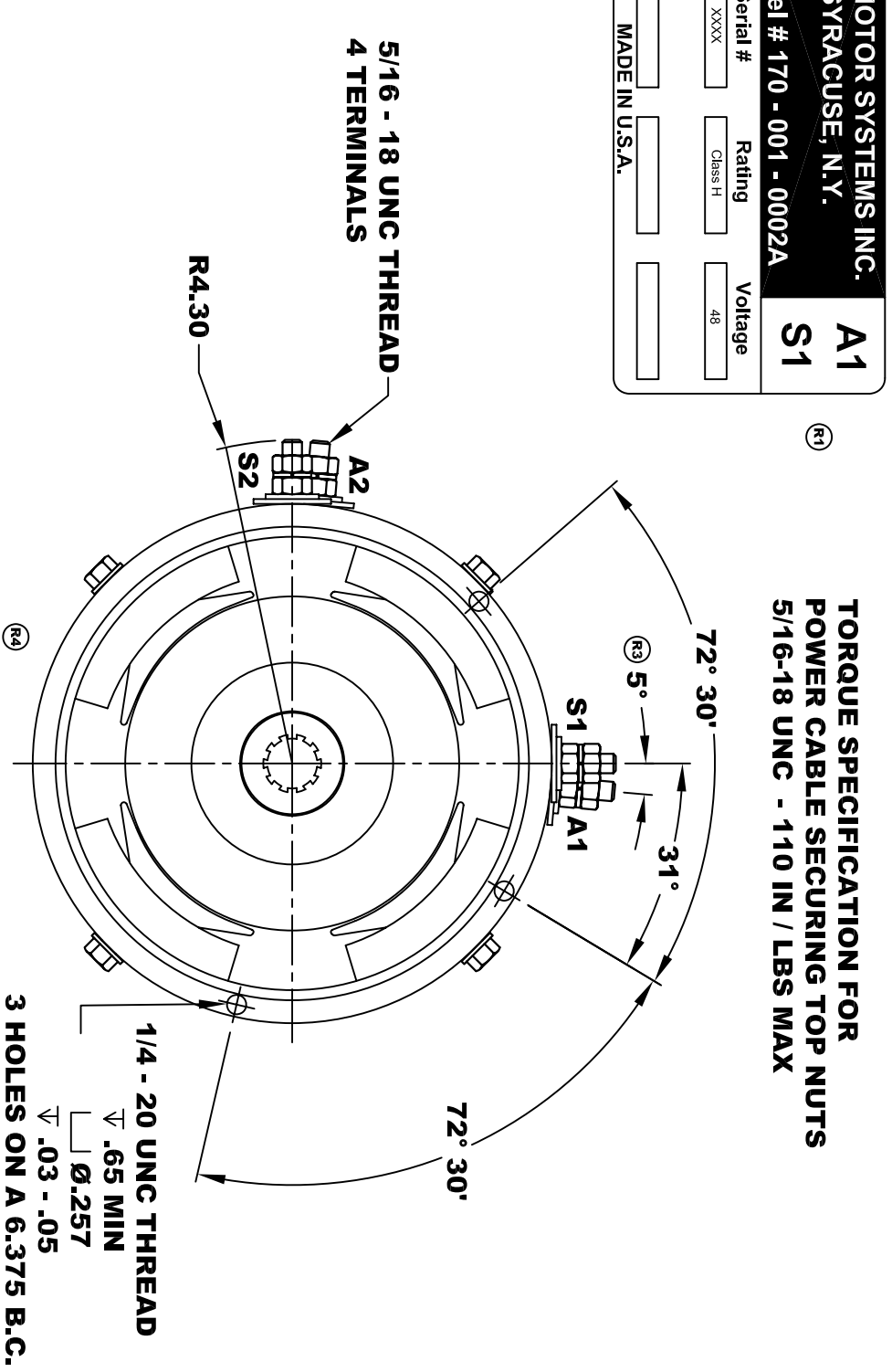
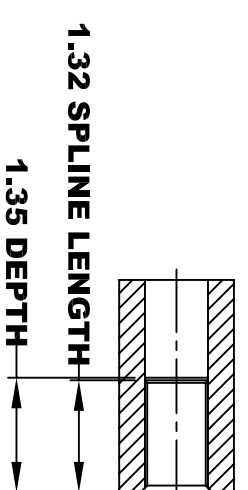
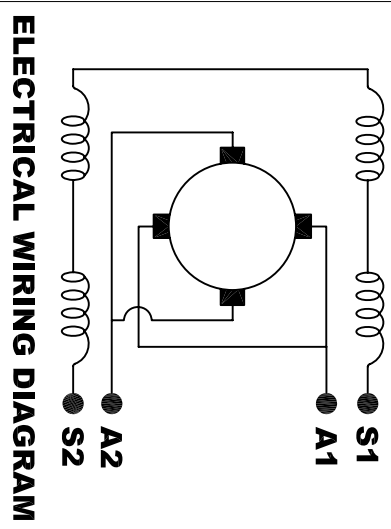


D&D MOTOR SYSTEMS INC.			
SYRACUSE, N.Y.			
Model # 170 - 001 - 0002A			
A2	S2	A1	S1
Mfg. Date	Serial #	Rating	Voltage
XXXXXX	XXXX	Class H	48
H.P.	MADE IN U.S.A.		
9.4			



**MOTOR WEIGHT 46 LBS
CLASS "H" INSULATION
PERFORMANCE SPEC: 1**



MOTOR WIRING CONNECTIONS:
CW ROTATION DRIVE END
 CONNECT S2 & A1 TOGETHER
 CONNECT S1 TO BATTERY TERMINAL
CCW ROTATION DRIVE END
 CONNECT A2 TO OTHER BATTERY TERMINAL
 SWITCH S1 & S2 CONNECTIONS

THIS PRINT IS THE PROPERTY OF D&D MOTOR SYSTEMS INC.
 DO NOT SCALE
 WORK TO DIMENSIONS
 TOLERANCES UNLESS OTHERWISE SPECIFIED ARE AS FOLLOWS
 .XX .01
 .XXX .005
 .XX ROUGH CASTING .03
 HOLES -.001 / +.006
 ANGLES 0°30"

D & D MOTOR SYSTEMS INC			
MOTOR OUTLINE			
SIZE	DRAWN DATE	RELEASE DATE	DWG NO. / PART NO.
B	12-12-01	4-9-02	170 - 001 - 0002A
SCALE	STF	DRAWN BY	REV DATE
		MJG	ES-3A 5-18-05