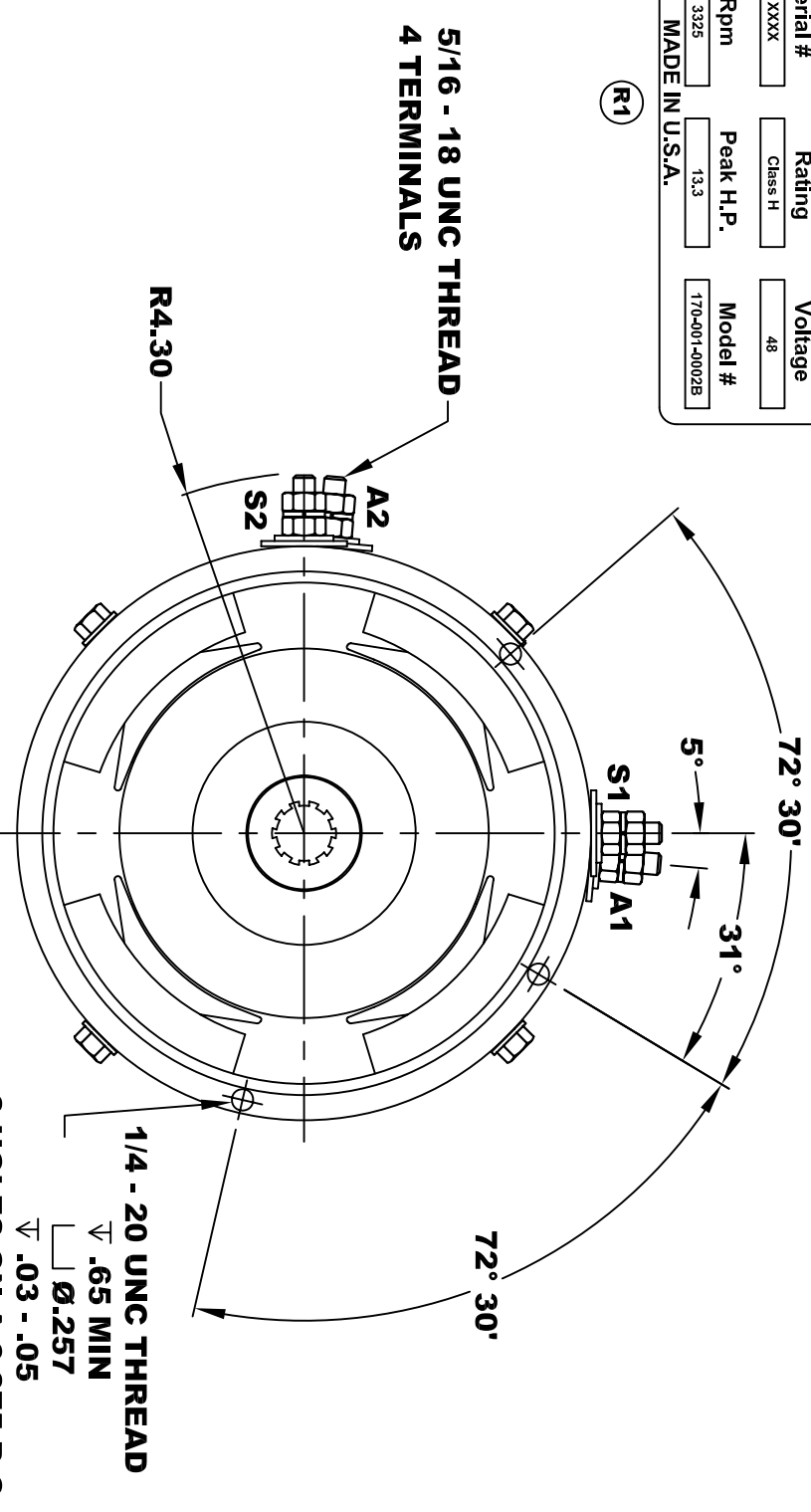
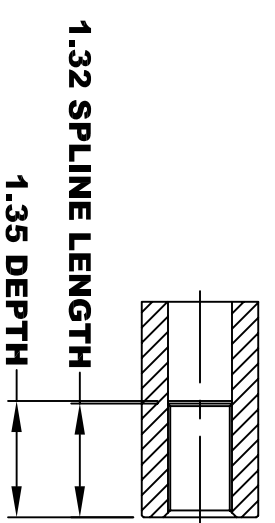
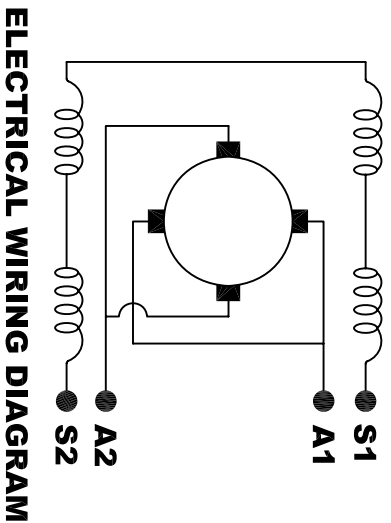


A2	BUGGIES UNLIMIT	A1
S2	MTR CCO SRM	S1
Mfg. Date	Serial #	Rating
XXXXXX	XXXX	Class H
H.P.	Rpm	Peak H.P.
4.4	3325	13.3
MADE IN U.S.A.		
		Voltage
		48
		Model #
		170-001-0002B



**TORQUE SPECIFICATION FOR
POWER CABLE SECURING TOP NUTS
5/16-18 UNC - 110 IN / LBS MAX**

**MOTOR WEIGHT 46 LBS
CLASS "H" INSULATION
PERFORMANCE SPEC: 1**



**MOTOR WIRING CONNECTIONS:
CW ROTATION DRIVE END**

CONNECT S2 & A1 TOGETHER

CONNECT S1 TO BATTERY TERMINAL

CONNECT A2 TO OTHER BATTERY TERMINAL

CCW ROTATION DRIVE END

SWITCH S1 & S2 CONNECTIONS

THIS PRINT IS THE PROPERTY OF D&D MOTOR SYSTEMS INC.
DO NOT SCALE
WORK TO DIMENSIONS
TOLERANCES UNLESS OTHERWISE SPECIFIED ARE AS FOLLOWS

.XXX _____ .005
.XX _____ .01
.XX ROUGH CASTING _____ .03
HOLES _____ -.001 / +.006
ANGLES _____ 0°30'

D & D MOTOR SYSTEMS INC			
MOTOR OUTLINE			
SIZE	DRAWN DATE	RELEASE DATE	DWG NO. / PART NO.
B	10-2-07	10-2-07	170 - 001 - 0002B
SCALE	STF	DRAWN BY	MJG
			REV DATE
			6-10-10
			REV
			R2