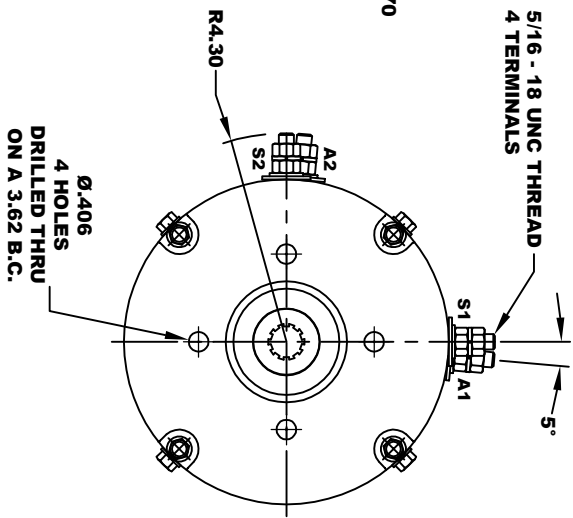
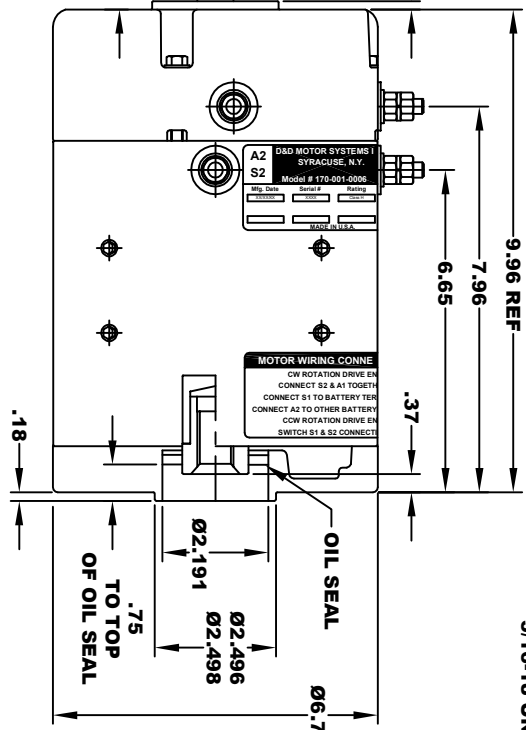
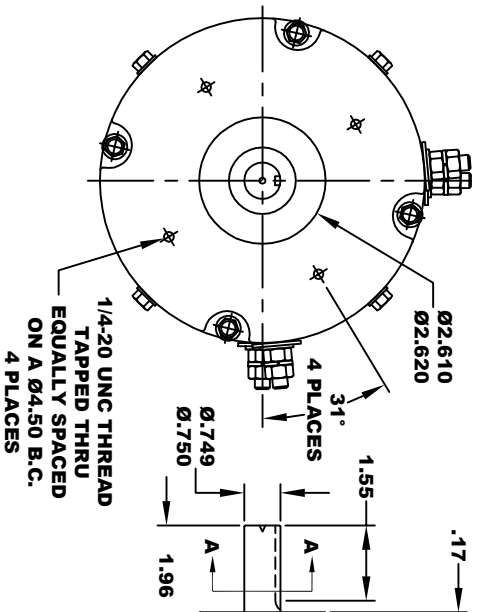
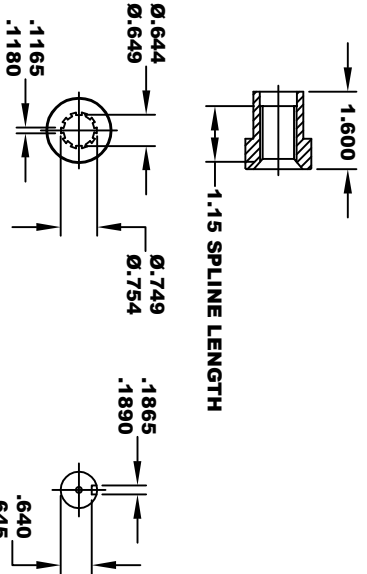


D&D MOTOR SYSTEMS INC.			
SYRACUSE N.Y.			
A2	S2	A1	S1
Model # 470-001-0006			
Mfg. Date	Serial #	Rating	Voltage
XXXXXX	XXXX	0.5HP/11	240 - 28V
MADE IN U.S.A.			

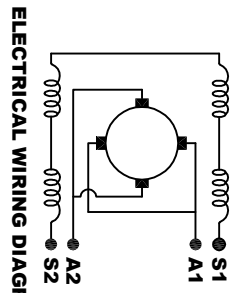


**TORQUE SPECIFICATION FOR
POWER CABLE SECURING TOP NUTS
5/16-18 UNC - 110 IN / LBS MAX**



**10 TOOTH
INTERNAL SPLINE
HARDNESS OF SPLINE
TO BE RC 46 - 53 (.02 DEPTH MIN)**

SECTION A-A



MOTOR WIRING CONNECTIONS:
CW ROTATION DRIVE END
 CONNECT S2 & A1 TOGETHER
 CONNECT S1 TO BATTERY TERMINAL
CCW ROTATION DRIVE END
 CONNECT A2 TO OTHER BATTERY TERMINAL
 SWITCH S1 & S2 CONNECTIONS

**MOTOR WEIGHT 48 LBS
CLASS "H" INSULATION
PERFORMANCE SPEC: 1**

THIS PRINT IS THE PROPERTY OF D&D MOTOR SYSTEMS INC.
 DO NOT SCALE
 WORK TO DIMENSIONS
 TOLERANCES UNLESS OTHERWISE SPECIFIED ARE AS FOLLOWS
 .XX - .01
 .XXX - .005
 .XX ROUGH CASTING - .03
 HOLES - .001 / +.006
 ANGLES - 0-30°

SIZE	DRAWN DATE	RELEASE DATE	DWG NO. / PART NO.	REV
B	4-24-02	2-16-24	170-001-0006	
SCALE	STF	DRAWN BY	MJG	ES-11B
				REV DATE

MOTOR OUTLINE

D & D MOTOR SYSTEMS INC