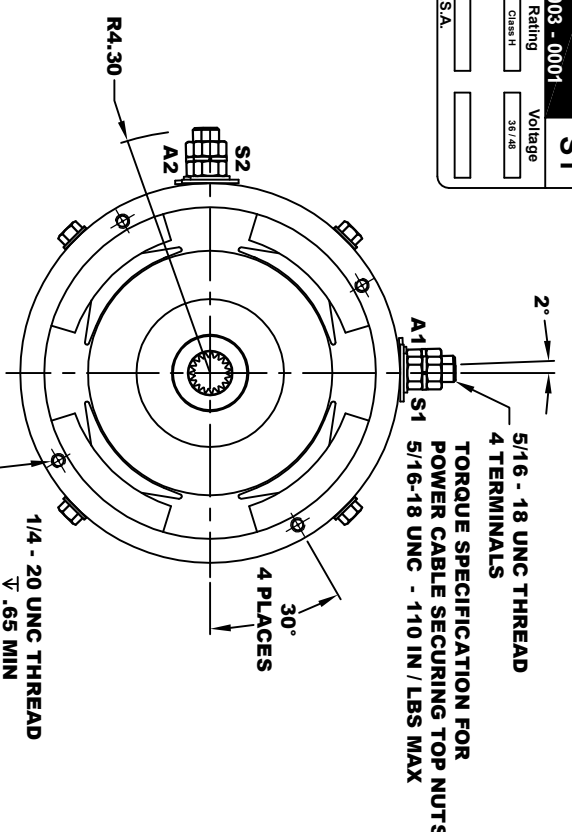
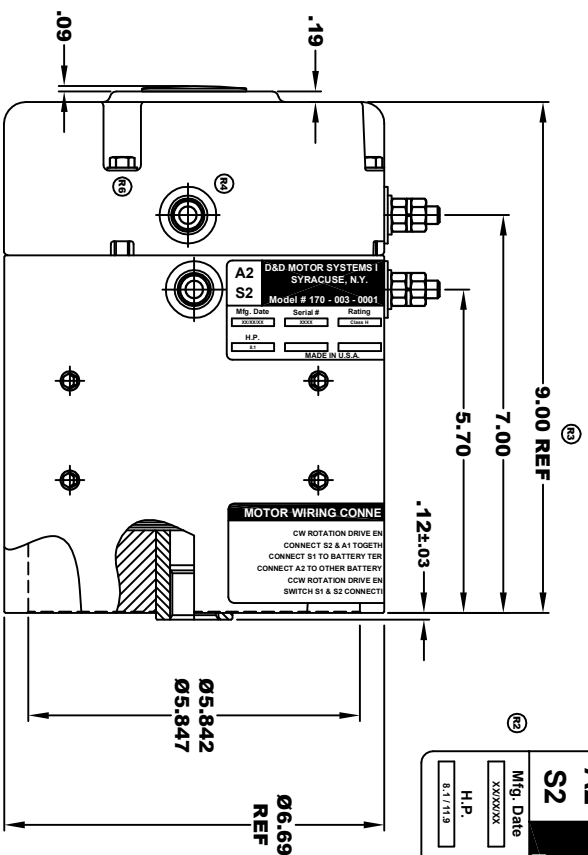
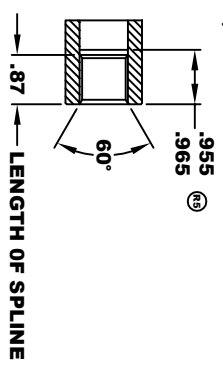


D&D MOTOR SYSTEMS INC.			
SYRACUSE N.Y.			
A2	S2	A1	S1
Model # 170 - 003 - 0001			
Mfg. Date	Serial #	Rating	Voltage
XX/XX/XX	XXXX	Class H	36/48
H.P.	MADE IN U.S.A.		
8.1/13			

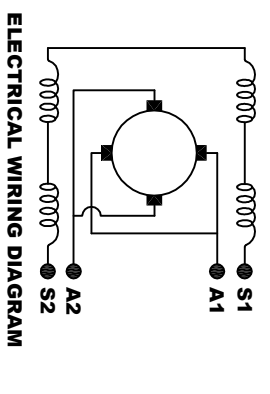


**INTERNAL INVOLUTE SPLINE SPECIFICATION
CLASS 5 FILET ROOT SIDE FIT (PER A.N.S.I. B92.1)**

NO. OF TEETH	19
SPLINE PITCH	24 / 48
PRESSURE ANGLE	45°
BASE Ø	.5597 REF
PITCH Ø	.7916 REF
MAJOR Ø	.850 - .859
FORM Ø	.835
MINOR Ø	.767 - .772
CIRCULAR SPACE WIDTH	.0764
EFFECTIVE SPACE WIDTH	.0738
MAX. DIMENSION BETWEEN TWO PINS	.6714
PIN Ø	.0800
SPLINE HARDNESS TO BE R/C	26-34



**MOTOR WEIGHT 46 LBS
CLASS "H" INSULATION
PERFORMANCE SPEC: 3**



MOTOR WIRING CONNECTIONS:
CW ROTATION DRIVE EN
CONNECT S2 & A1 TOGETHER
CONNECT S1 TO BATTERY TERMINAL
CONNECT A2 TO OTHER BATTERY TERMINAL
CCW ROTATION DRIVE EN
SWITCH S1 & S2 CONNECTIONS

THIS PRINT IS THE PROPERTY OF D&D MOTOR SYSTEMS INC.
DO NOT SCALE
WORK TO DIMENSIONS
TOLERANCES UNLESS OTHERWISE SPECIFIED ARE AS FOLLOWS
XX .01
XX .005
XX .03
XX .001 / ± .006
ANGLES .030°

D & D MOTOR SYSTEMS INC			
MOTOR OUTLINE			
SIZE	DRAWN DATE	RELEASE DATE	DWG NO. / PART NO.
B	1-24-02	1-28-02	170 - 003 - 0001
SCALE	STF	DRAWN BY	REV
		MJG	ES-13
			REV DATE
			12-1-10