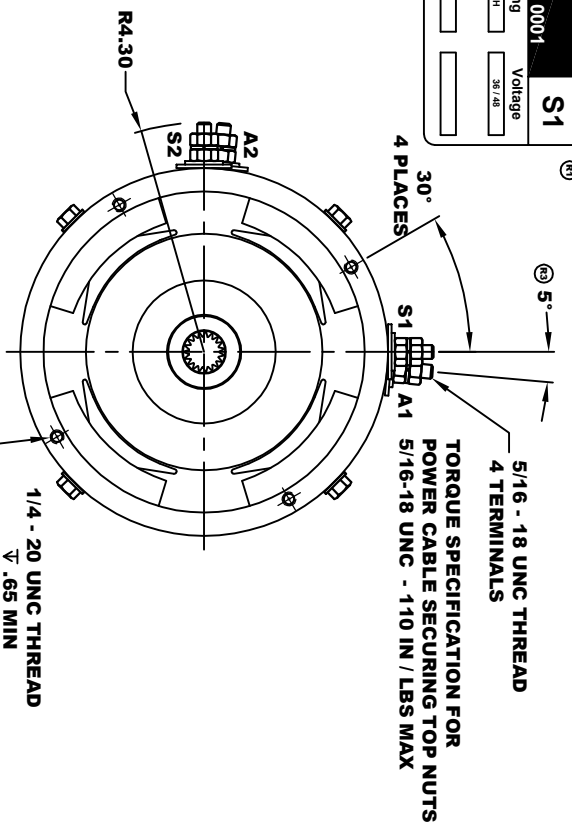
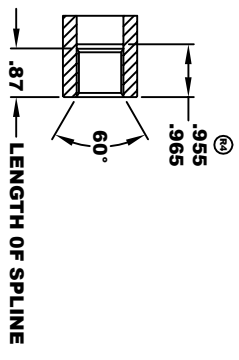


<b>A2</b>	<b>D&amp;D MOTOR SYSTEMS INC.</b>	<b>A1</b>
<b>S2</b>	<b>SYRACUSE N.Y.</b>	<b>S1</b>
<b>Model # 170 - 004 - 0001</b>		
Mfg. Date	Serial #	Rating
XXXXXX	XXXX	CHRS H
H.P.		Voltage
8/7.58		38/48
MADE IN U.S.A.		

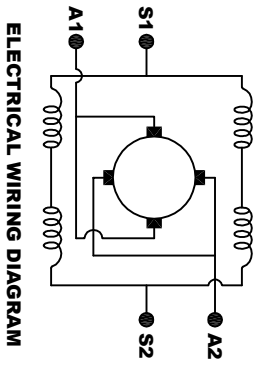


**INTERNAL INVOLUTE SPLINE SPECIFICATION  
CLASS 5 FILLET ROOT SIDE FIT (PER A.N.S.I. B92-1)**

NO. OF TEETH	19
SPLINE PITCH	24 / 48
PRESSURE ANGLE	45°
BASE Ø	.5597 REF
PITCH Ø	.7916 REF
MAJOR Ø	.850 - .859
MINOR Ø	.835
CIRCULAR SPACE WIDTH	.767 - .772
EFFECTIVE SPACE WIDTH	.0764
MAX. DIMENSION BETWEEN	.0738
TWO PINS	.6714
PIN Ø	.0800
SPLINE HARDNESS TO BE R/C	26-34



**MOTOR WEIGHT 57 LBS  
CLASS "H" INSULATION  
PERFORMANCE SPEC: 6**



**MOTOR WIRING CONNECTIONS:**  
**CCW ROTATION DRIVE END**  
**CONNECT S2 & A1 TOGETHER**  
**CONNECT S1 TO BATTERY TERMINAL**  
**CONNECT A2 TO OTHER BATTERY TERMINAL**  
**CCW ROTATION DRIVE END**  
**SWITCH S1 & S2 CONNECTIONS**

THIS PRINT IS THE PROPERTY OF D&D MOTOR SYSTEMS INC.  
 DO NOT SCALE  
 WORK TO DIMENSIONS  
 TOLERANCES UNLESS OTHERWISE SPECIFIED ARE AS FOLLOWS  
 .XX .01  
 .XXX .005  
 .XX XROUGH CASTING .03  
 HOLES .001 / ±.006  
 ANGLES 0-30°

**D & D MOTOR SYSTEMS INC**  
**MOTOR OUTLINE**

SIZE	DATE	RELEASE DATE	DWG NO.	PART NO.	REV
B	10-24-01	2-8-02	170-004-0001		R5
SCALE	STF	DRAWN BY	MJG	ES-5	REV DATE
					12-1-10