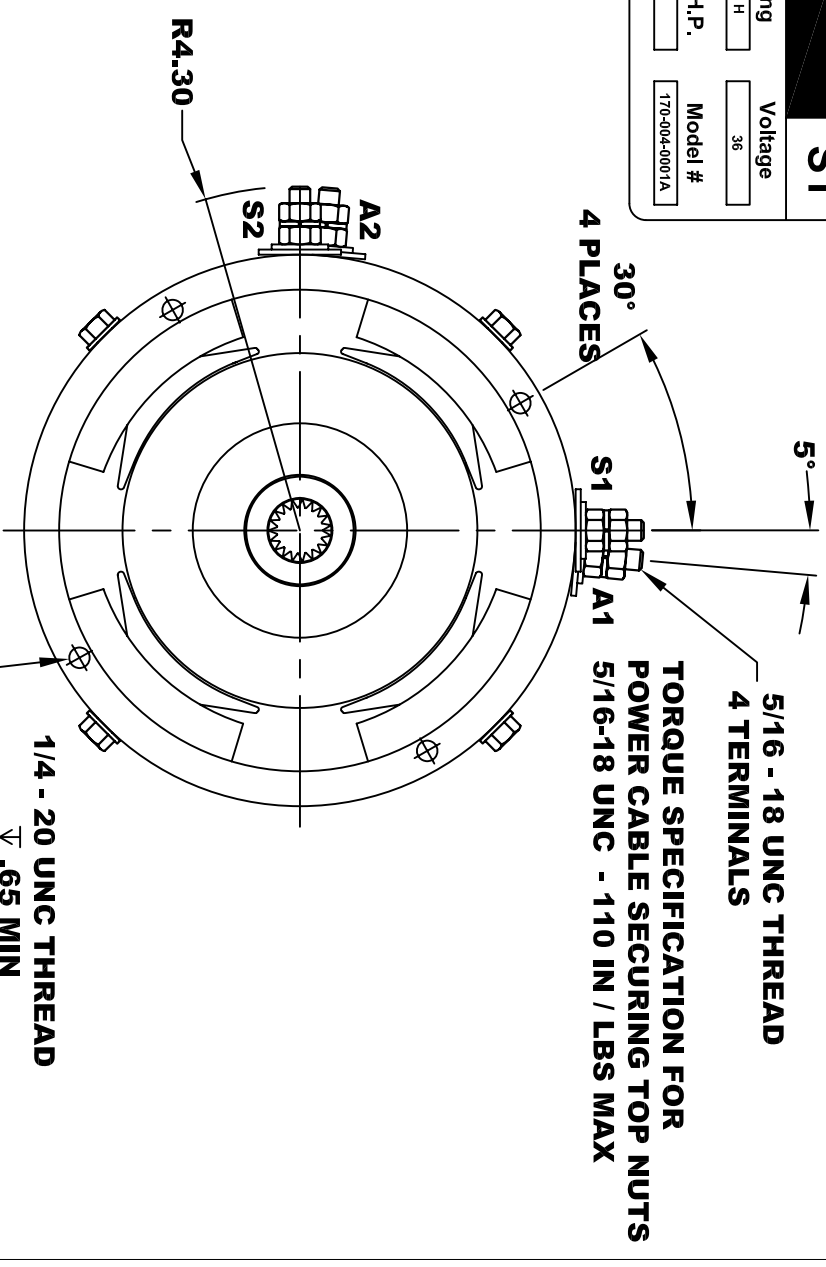
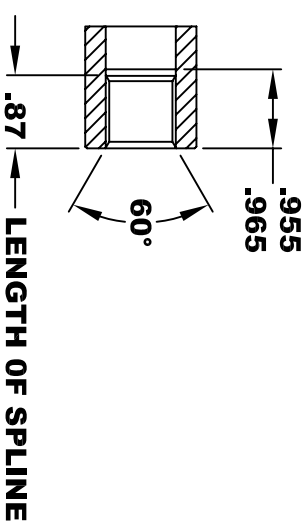


<b>A2</b>		<b>BUGGIES UNLIMITED</b>		<b>A1</b>	
<b>S2</b>		<b>MTR EZO TM</b>		<b>S1</b>	
Mfg. Date	Serial #	Rating	Voltage		
XXXXXX	XXXX	Class H	36		
H.P.	Rpm	Peak H.P.	Model #		
4.0	1650	8.9	170-004-0001A		
MADE IN U.S.A.					

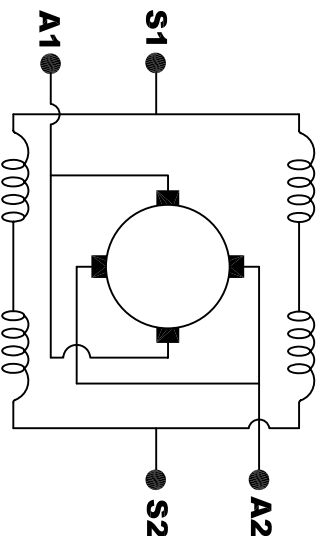


**INTERNAL INVOLUTE SPLINE SPECIFICATION  
CLASS 5 FILLET ROOT SIDE FIT (PER A.N.S.I. B92.1)**

- NO. OF TEETH \_\_\_\_\_ 19
- SPLINE PITCH \_\_\_\_\_ 24 / 48
- PRESSURE ANGLE \_\_\_\_\_ 45°
- BASE Ø \_\_\_\_\_ .5597 REF
- PITCH Ø \_\_\_\_\_ .7916 REF
- MAJOR Ø \_\_\_\_\_ .850 - .859
- FORM Ø \_\_\_\_\_ .835
- MINOR Ø \_\_\_\_\_ .767 - .772
- CIRCULAR SPACE WIDTH \_\_\_\_\_ .0764
- EFFECTIVE SPACE WIDTH \_\_\_\_\_ .0738
- MAX. DIMENSION BETWEEN TWO PINS \_\_\_\_\_ .6714
- PIN Ø \_\_\_\_\_ .0800
- SPLINE HARDNESS TO BE R/C 26-34



**MOTOR WEIGHT 57 LBS  
CLASS "H" INSULATION  
PERFORMANCE SPEC: 6**



**ELECTRICAL WIRING DIAGRAM**

**MOTOR WIRING CONNECTIONS:  
CW ROTATION DRIVE END  
CONNECT S2 & A1 TOGETHER  
CONNECT S1 TO BATTERY TERMINAL  
CONNECT A2 TO OTHER BATTERY TERMINAL  
CCW ROTATION DRIVE END  
SWITCH S1 & S2 CONNECTIONS**

**D & D MOTOR SYSTEMS INC**

**MOTOR OUTLINE**

THIS PRINT IS THE PROPERTY OF D&D MOTOR SYSTEMS INC.  
DO NOT SCALE  
WORK TO DIMENSIONS  
TOLERANCES UNLESS OTHERWISE SPECIFIED ARE AS FOLLOWS  
.XX \_\_\_\_\_ .01  
.XXX \_\_\_\_\_ .005  
.XX ROUGH CASTING \_\_\_\_\_ .03  
HOLES \_\_\_\_\_ -.001 / +.006  
ANGLES \_\_\_\_\_ 0°30"

SIZE	DRAWN DATE	RELEASE DATE	DWG NO. / PART NO.	REV
B	10-2-07	10-2-07	170 - 004 - 0001A	R3
SCALE	STF	DRAWN BY	MJG	REV DATE
				12-1-10