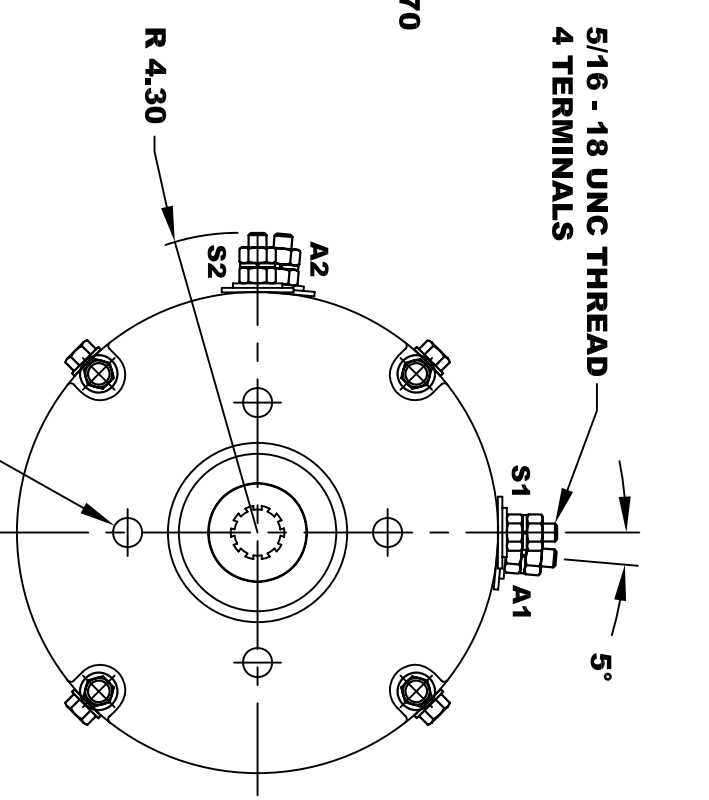
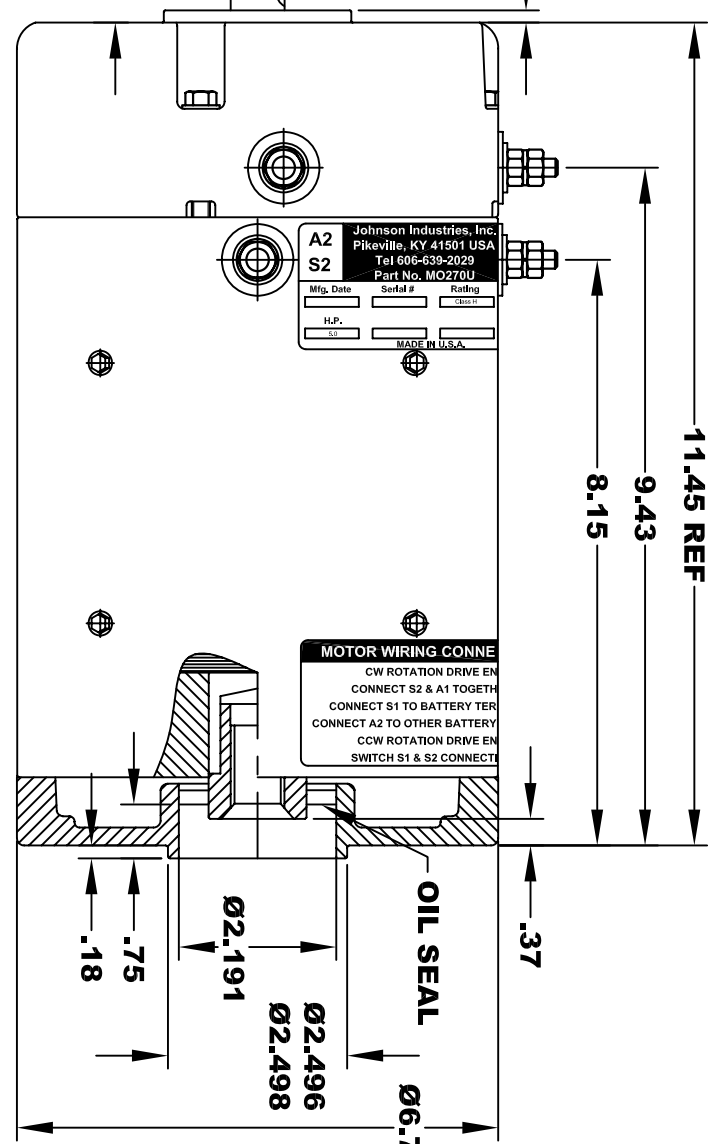
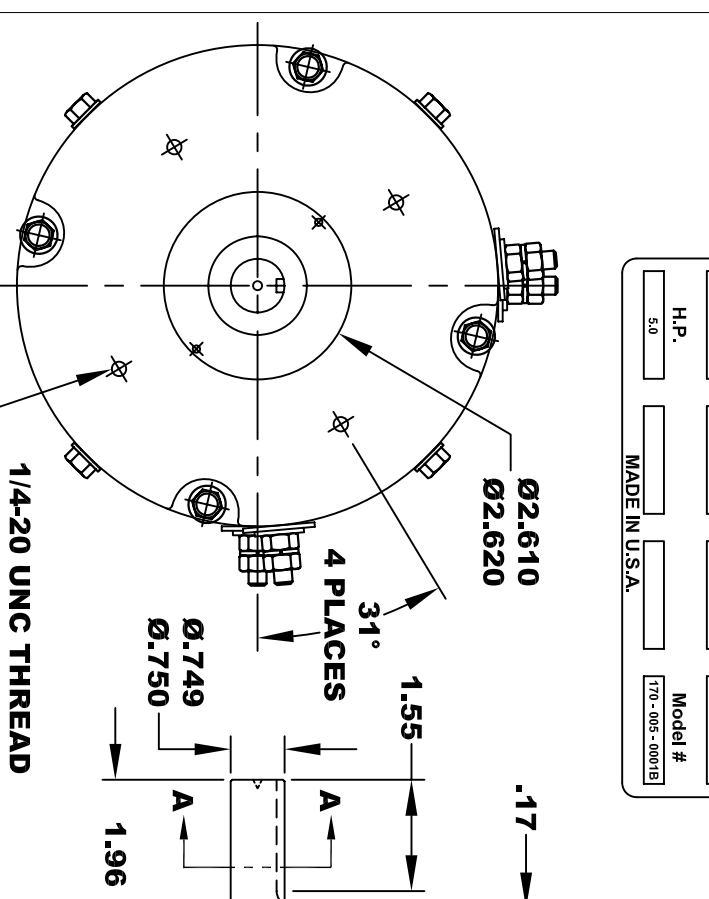
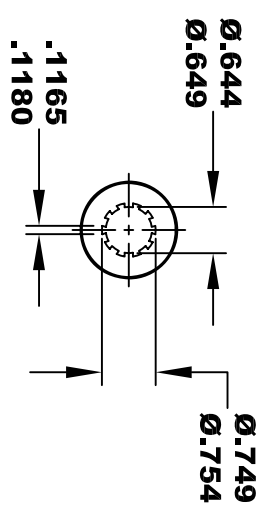
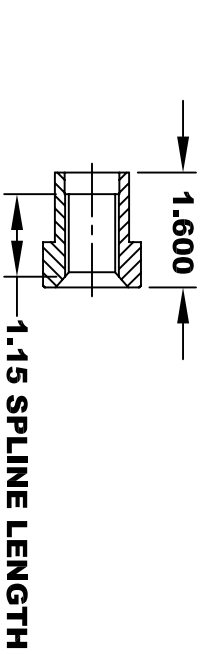


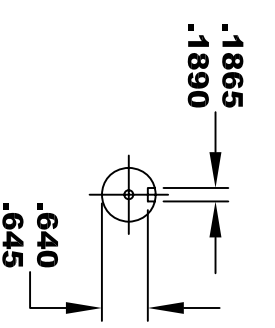
A2	Johnson Industries, Inc.				A1
S2	Pikeville, KY 41501 USA				S1
	Tel 606-639-2029				
	Part No. MO270U				
Mfg. Date	Serial #	Rating	Voltage		
H.P. 5.0	MADE IN U.S.A.	Class H	36		
			Model # 170-005-0001B		



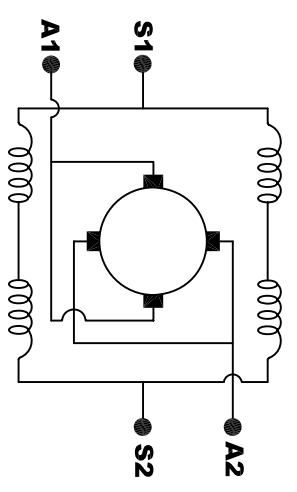
**TORQUE SPECIFICATION FOR
POWER CABLE SECURING TOP NUTS
5/16-18 UNC - 110 IN / LBS MAX**



**INTERNAL SPLINE
HARDNESS OF SPLINE
TO BE R/C 46 - 53 (.02 DEPTH MIN)**



SECTION A-A



ELECTRICAL WIRING DIAGRAM

MOTOR WIRING CONNECTIONS:
CW ROTATION DRIVE END
 CONNECT S2 & A1 TOGETHER
 CONNECT S1 TO BATTERY TERMINAL
 CONNECT A2 TO OTHER BATTERY TERMINAL
CCW ROTATION DRIVE END
 SWITCH S1 & S2 CONNECTIONS

NOTE
FRAME COLOR: BLACK RIVER GLOSS TEXTURE

MOTOR WEIGHT: 57 LBS
CLASS "H" INSULATION
PERFORMANCE SPEC: 9

THIS PRINT IS THE PROPERTY OF D&D MOTOR SYSTEMS INC.
 DO NOT SCALE
 WORK TO DIMENSIONS
 TOLERANCES UNLESS OTHERWISE SPECIFIED ARE AS FOLLOWS
 .XX _____ .01
 .XXX _____ .005
 .XX ROUGH CASTING _____ .03
 HOLES _____ -.001 / +.006
 ANGLES _____ 0°30"

D & D MOTOR SYSTEMS INC		MOTOR OUTLINE	
SIZE	DRAWN DATE	RELEASE DATE	DWG NO. / PART NO.
B	6-13-07	6-13-07	170-005-0001B
SCALE	STF	DRAWN BY	MJG
			REV DATE