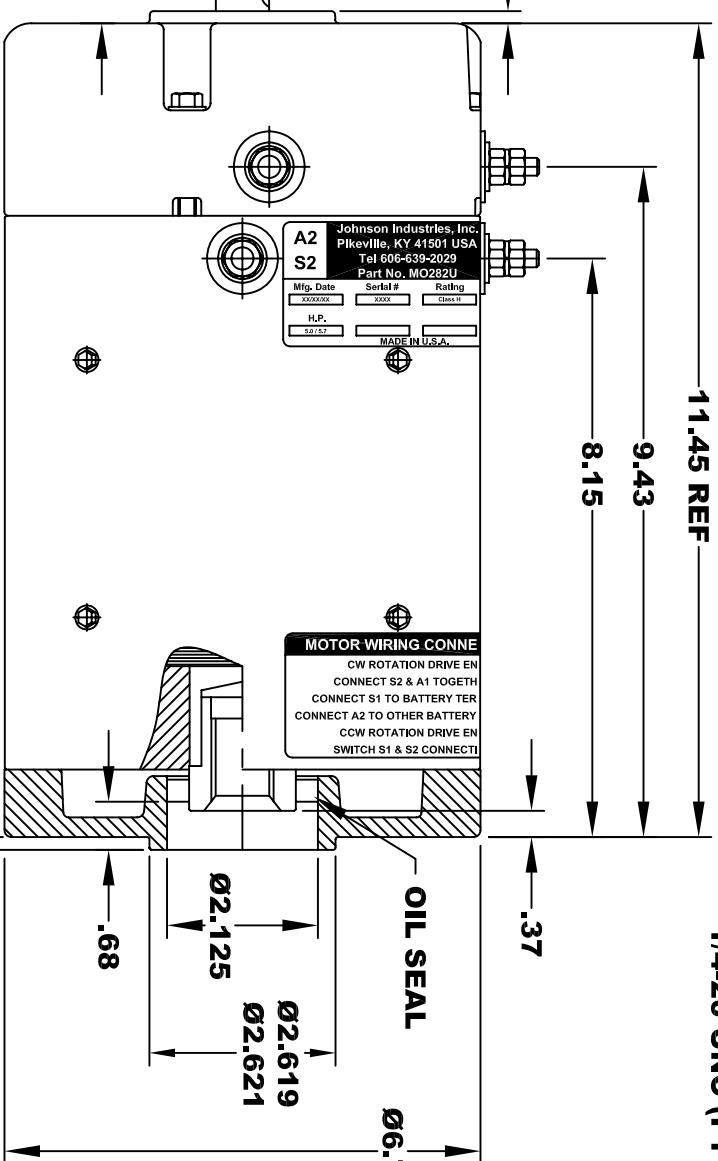
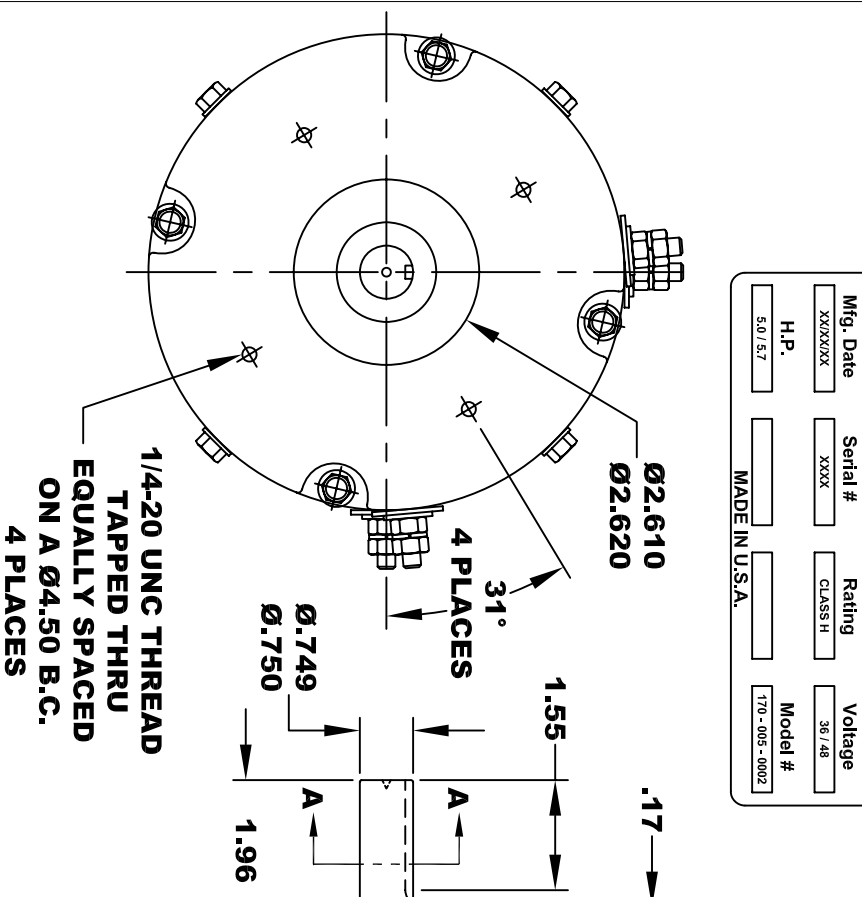
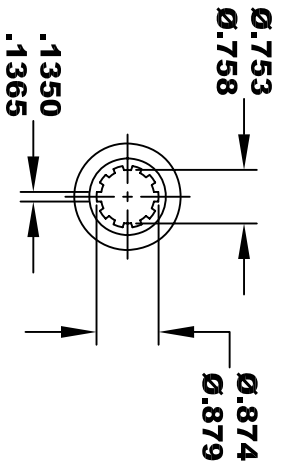
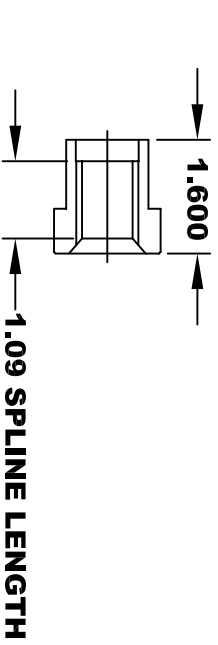
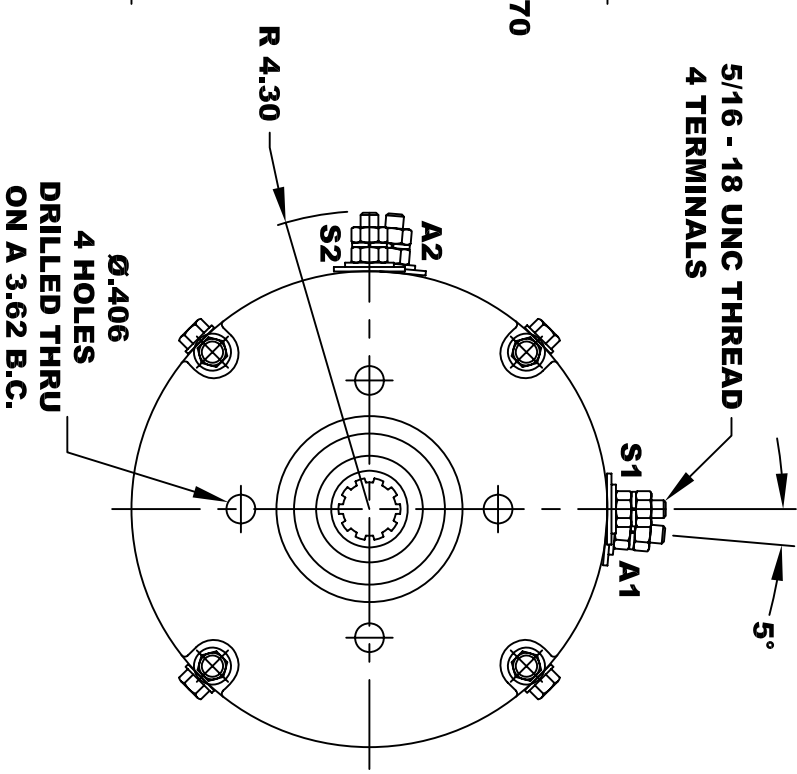


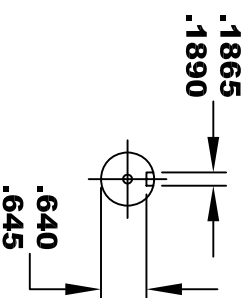
<b>Johnson Industries, Inc.</b>			
Pikeville, KY 41501 USA			
Tel 606-639-2029			
Part No. MO282U			
<b>A2</b>	<b>A1</b>		
<b>S2</b>	<b>S1</b>		
Mfg. Date	Serial #	Rating	Voltage
XXXXXX	XXXX	CLASS H	30 / 48
H.P.		MADE IN U.S.A.	Model #
S2 / S7			170-005-0002



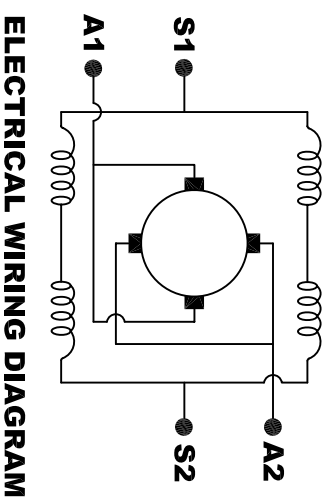
**TORQUE SPECIFICATION FOR  
POWER CABLE SECURING TOP NUTS**  
5/16-18 UNC (A1 / A2) - 110 IN / LBS MAX  
1/4-20 UNC (F1 / F2) - 50 IN / LBS MAX



**10 TOOTH  
INTERNAL SPLINE  
HARDNESS OF SPLINE  
TO BE R/C 46 - 53 (.02 DEPTH MIN)**



**SECTION A-A**



**ELECTRICAL WIRING DIAGRAM**

**MOTOR WIRING CONNECTIONS:**  
**CW ROTATION DRIVE END**  
CONNECT S2 & A1 TOGETHER  
CONNECT S1 TO BATTERY TERMINAL  
CONNECT A2 TO OTHER BATTERY TERMINAL  
**CCW ROTATION DRIVE END**  
SWITCH S1 & S2 CONNECTIONS

**MOTOR WEIGHT: 57 LBS**  
**CLASS "H" INSULATION**  
**PERFORMANCE SPEC: 9**

THIS PRINT IS THE PROPERTY OF D&D MOTOR SYSTEMS INC.  
DO NOT SCALE  
WORK TO DIMENSIONS  
TOLERANCES UNLESS OTHERWISE SPECIFIED ARE AS FOLLOWS  
.XX \_\_\_\_\_ .01  
.XXX \_\_\_\_\_ .005  
.XX ROUGH CASTING \_\_\_\_\_ .03  
HOLES \_\_\_\_\_ -.001 / +.006  
ANGLES \_\_\_\_\_ 0°30"

**D & D MOTOR SYSTEMS INC**

**MOTOR OUTLINE**

SIZE	DRAWN DATE	RELEASE DATE	DWG NO. / PART NO.	REV
B	8-29-07	9-9-10	170-005-0002	
SCALE	STF	DRAWN BY	MJG	ES-40E-9
				REV DATE