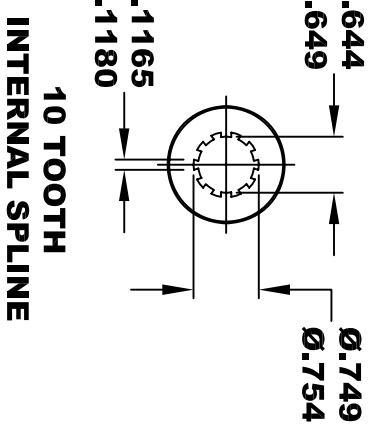
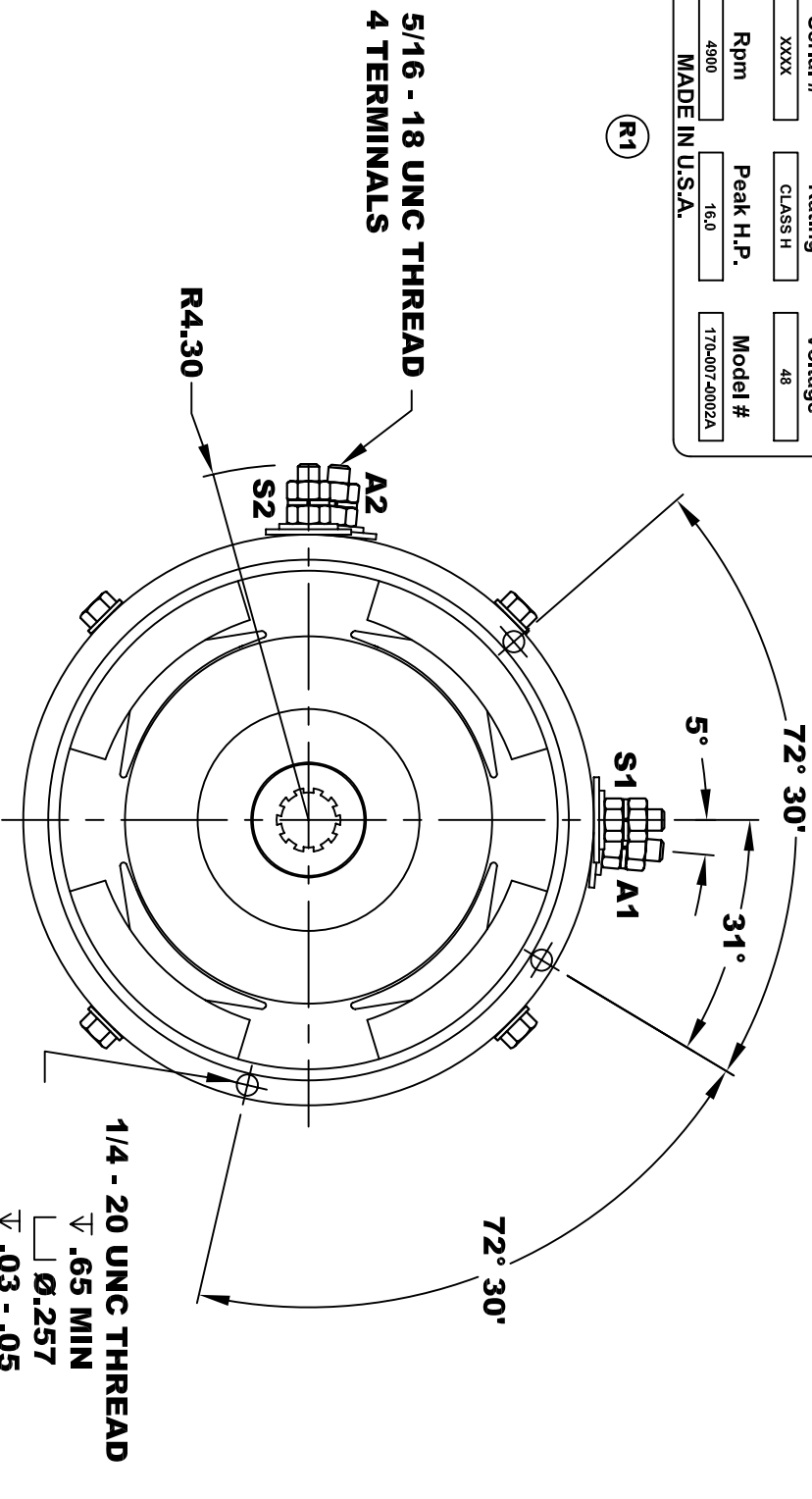
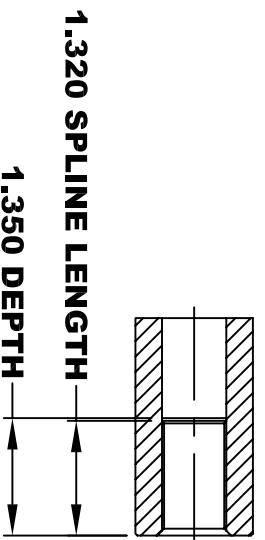
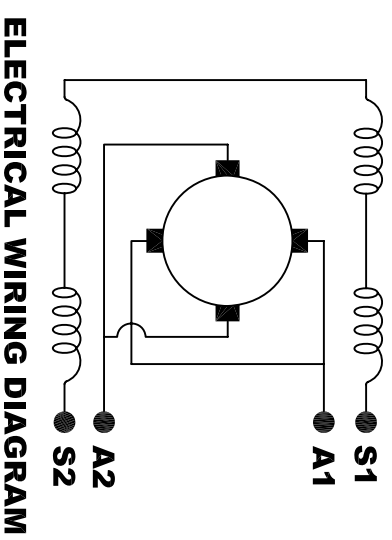


A2		BUGGIES UNLIMITED		A1	
S2		MTR CCO SM		S1	
Mfg. Date	Serial #	Rating	Class II	Voltage	
XX/XX/XX	XXXX			48	
H.P.	Rpm	Peak H.P.		Model #	
4.7	4900	16.0		170-007-2002A	
MADE IN U.S.A.					



MOTOR WEIGHT: 46 LBS
CLASS "H" INSULATION
PERFORMANCE SPEC: 22



ELECTRICAL WIRING DIAGRAM

MOTOR WIRING CONNECTIONS:
CW ROTATION DRIVE END
 CONNECT S2 & A1 TOGETHER
 CONNECT S1 TO BATTERY TERMINAL
CCW ROTATION DRIVE END
 CONNECT A2 TO OTHER BATTERY TERMINAL
 SWITCH S1 & S2 CONNECTIONS

THIS PRINT IS THE PROPERTY OF D&D MOTOR SYSTEMS INC.
 DO NOT SCALE
 WORK TO DIMENSIONS
 TOLERANCES UNLESS OTHERWISE SPECIFIED ARE AS FOLLOWS

.XX _____ .01
 .XXX _____ .005
 .XX ROUGH CASTING _____ .03
 HOLES _____ -.001 / +.006
 ANGLES _____ 0°30"

D & D MOTOR SYSTEMS INC		MOTOR OUTLINE	
SIZE	DRAWN DATE	RELEASE DATE	DWG NO. / PART NO.
B	10-2-07	10-2-07	170 - 007 - 0002A
SCALE	STF	DRAWN BY	MJG
			REV DATE
			R2 6-10-10