

**D&D MOTOR SYSTEMS INC.**  
SYRACUSE N.Y.

Model # 170-009-0001B

Mfg. Date: / /

Serial #:

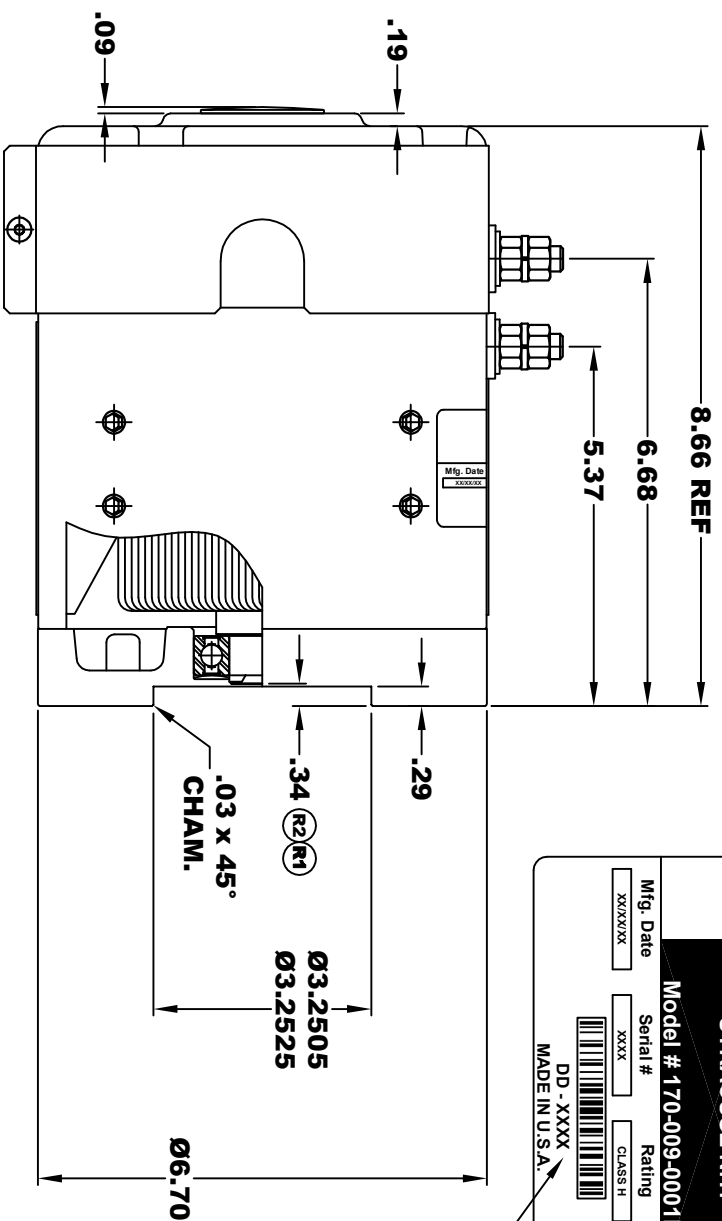
Rating:

Class:

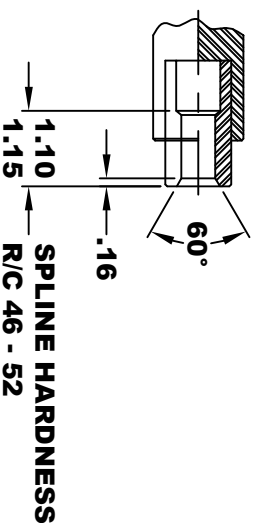
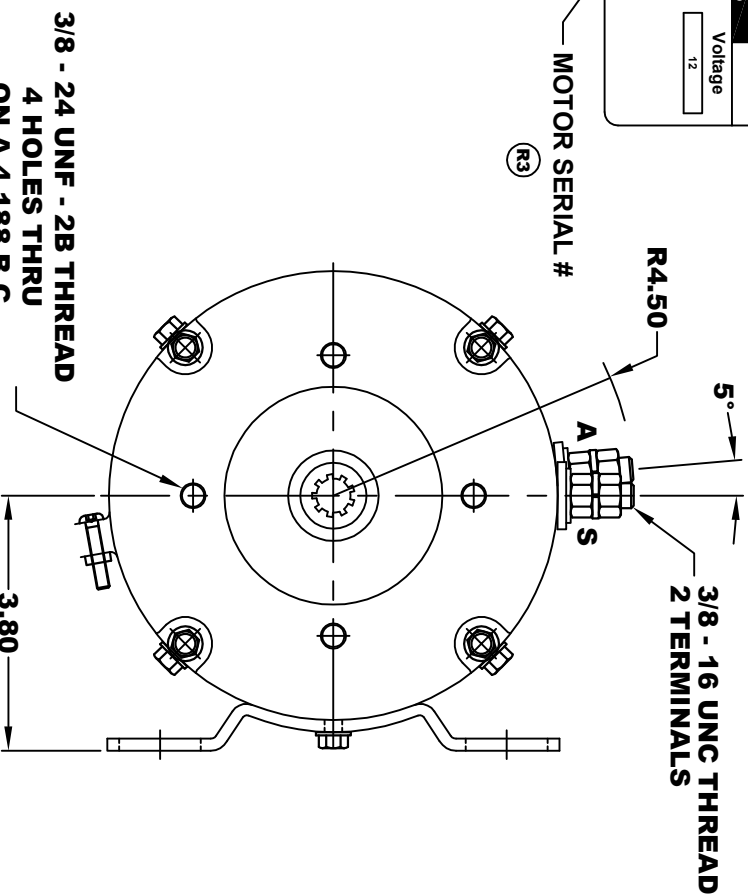
Voltage:

DD-XXXX

MADE IN U.S.A.



**TORQUE SPECIFICATION FOR  
POWER CABLE SECURING TOP NUTS**  
3/8-16 UNC - 140 IN / LBS MAX

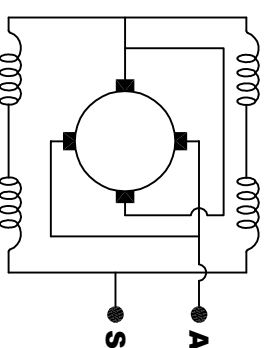


**INTERNAL INVOLUTE SPLINE SPECIFICATION**  
FLAT ROOT SIDE FIT (PER A.N.S.I. B92.1 CLASS 5)

NO. OF TEETH \_\_\_\_\_ 9  
 SPLINE PITCH \_\_\_\_\_ 16 / 32  
 PRESSURE ANGLE \_\_\_\_\_ 30°  
 BASE Ø \_\_\_\_\_ .4871 REF  
 PITCH Ø \_\_\_\_\_ .5625 REF  
 MAJOR Ø \_\_\_\_\_ .651  
 FORM Ø \_\_\_\_\_ .629  
 MINOR Ø \_\_\_\_\_ .509 - .514

Ø.010	A
Ø.010	B

**ELECTRICAL WIRING DIAGRAM**



**CIRCULAR SPACE WIDTH**  
 MAX ACTUAL \_\_\_\_\_ .1008  
 MIN EFFECTIVE \_\_\_\_\_ .0982  
 MAX DIMENSION BETWEEN  
 TWO PINS \_\_\_\_\_ .3972  
 PIN Ø \_\_\_\_\_ .1080

**MOTOR WEIGHT: 39 LBS**  
**CLASS "H" INSULATION**  
**PERFORMANCE SPEC: 24**

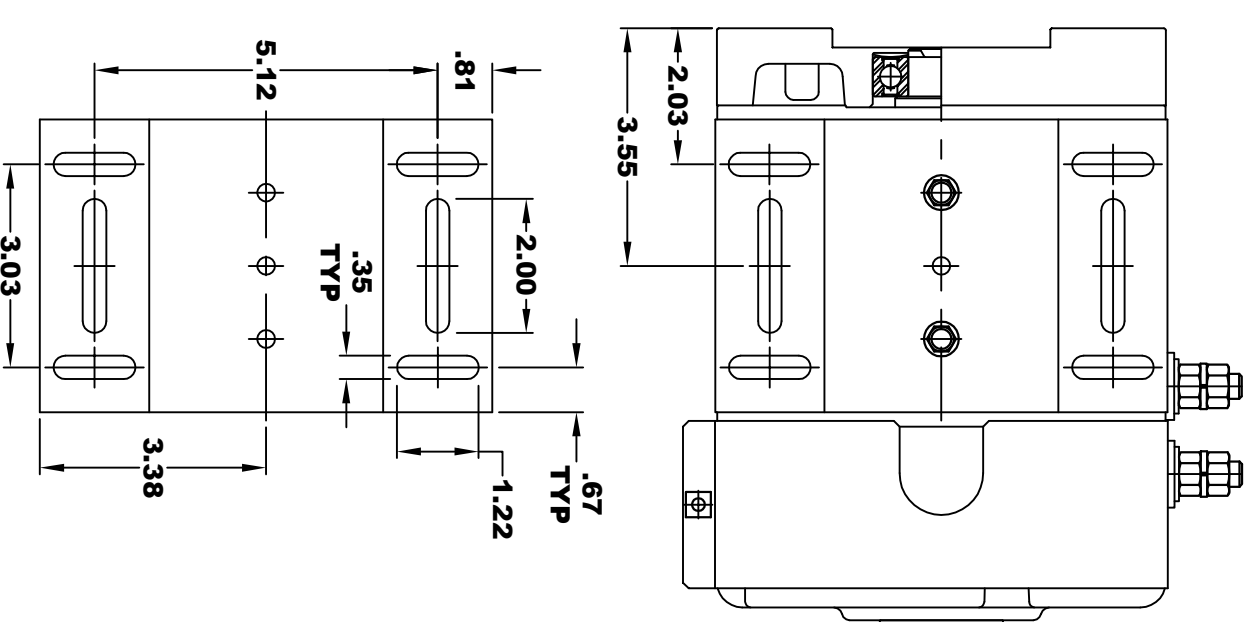
**MOTOR WIRING CONNECTIONS:**  
 CW ROTATION DRIVE END  
 CONNECT ONE POWER CABLE TO TERMINAL A  
 CONNECT THE OTHER POWER CABLE TO TERMINAL S

THIS PRINT IS THE PROPERTY OF D&D MOTOR SYSTEMS INC.  
 DO NOT SCALE  
 WORK TO DIMENSIONS  
 TOLERANCES UNLESS OTHERWISE SPECIFIED ARE AS FOLLOWS

XXX \_\_\_\_\_ .01  
 XX \_\_\_\_\_ .005  
 .XX ROUGH CASTING \_\_\_\_\_ .03  
 HOLES \_\_\_\_\_ .001 / +.006  
 ANGLES \_\_\_\_\_ 0°30"

**D & D MOTOR SYSTEMS INC**

**MOTOR OUTLINE**



SIZE	DRAWN DATE	RELEASE DATE	DWG NO. / PART NO.	REV
B	3-21-13	7-18-13	170 - 009 - 0001B	R3
SCALE	STF	DRAWN BY	MJG	ES-35A-24
				REV DATE
				4-14-21