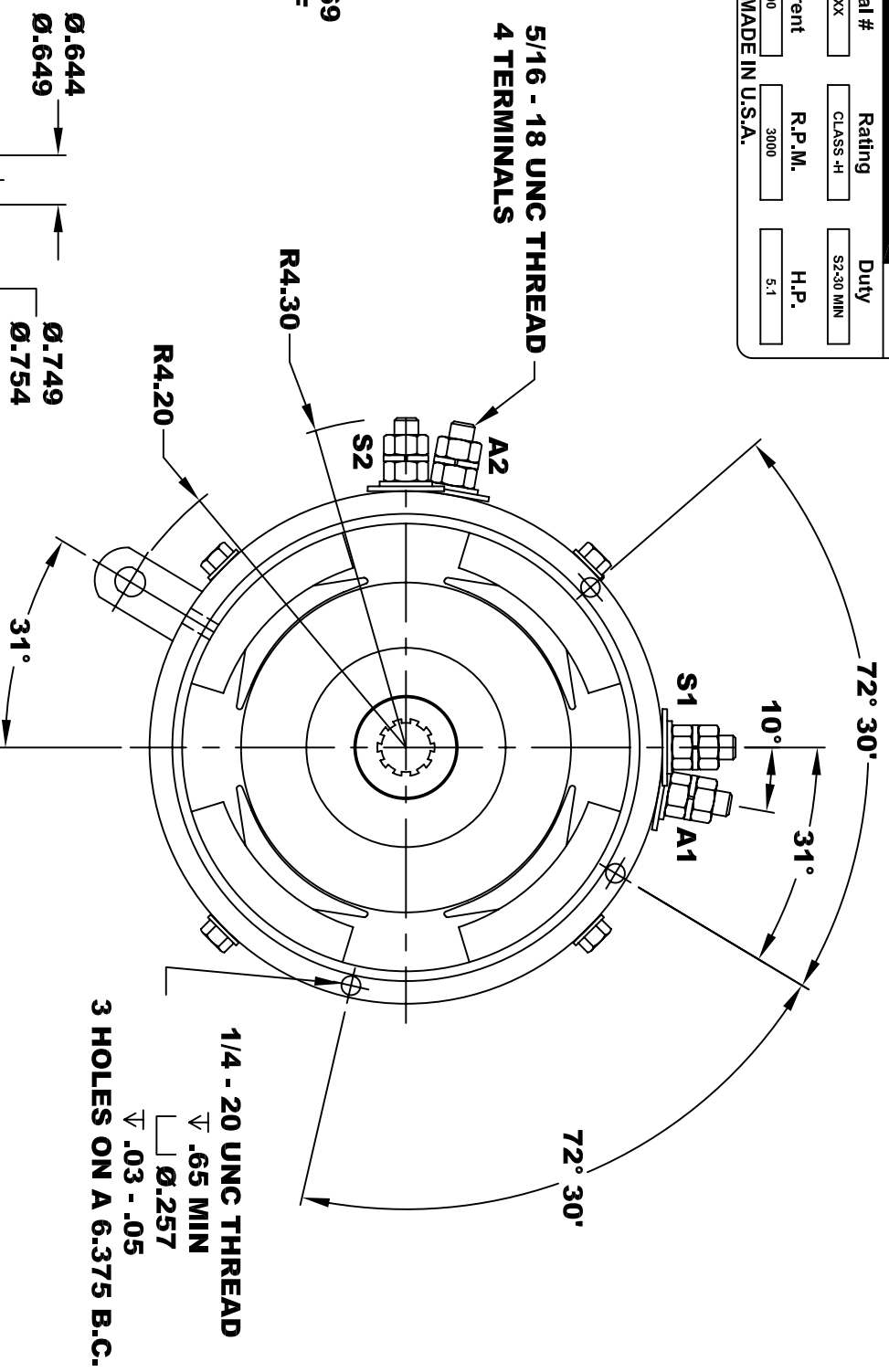
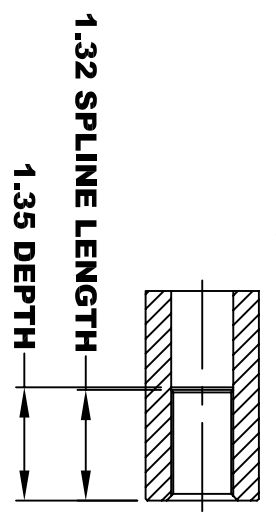
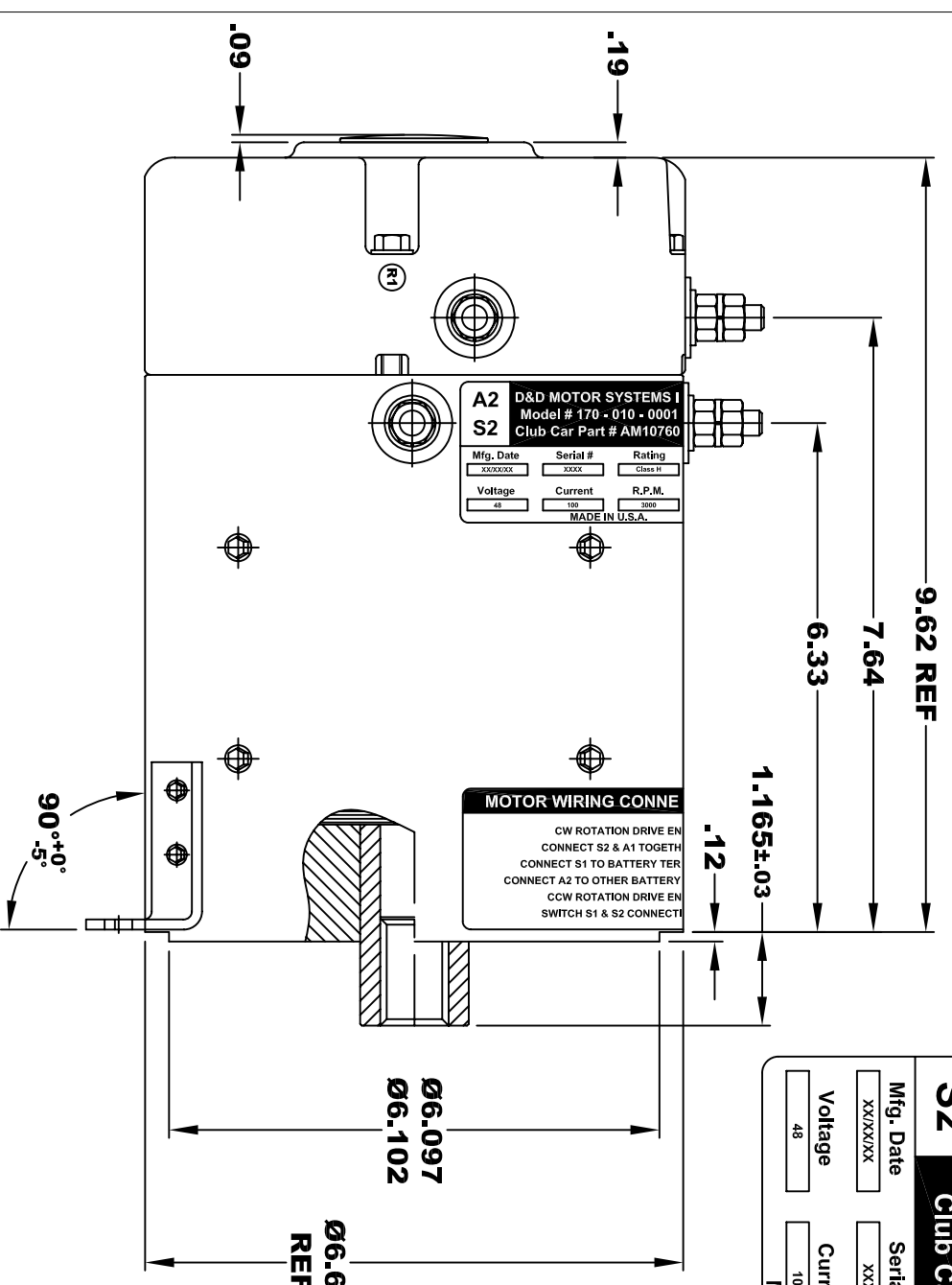


A2	D&D MOTOR SYSTEMS INC.			A1
S2	Model # 170 - 010 - 0001 Club Car Part # AM10760			S1
Mfg. Date	Serial #	Rating	Duty	
XXXXXX	XXXX	Class H	S2-30 MIN	
Voltage	Current	R.P.M.	H.P.	
48	100	3000	5.1	
MADE IN U.S.A.				



**TORQUE SPECIFICATION FOR
POWER CABLE SECURING TOP NUTS
5/16-18 UNC - 110 IN / LBS MAX**

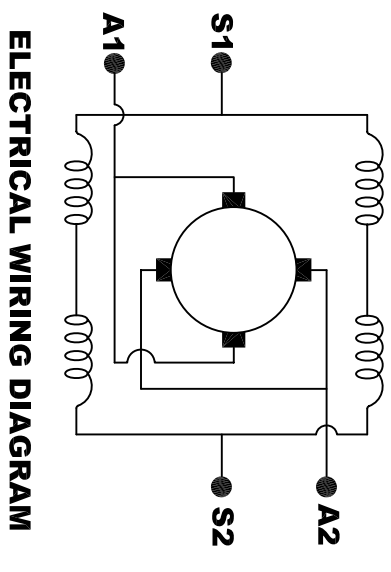
**MOTOR WEIGHT 54 LBS
CLASS "H" INSULATION
PERFORMANCE SPEC: 11**

D & D MOTOR SYSTEMS INC

MOTOR OUTLINE

THIS PRINT IS THE PROPERTY OF D&D MOTOR SYSTEMS INC.
DO NOT SCALE
WORK TO DIMENSIONS
TOLERANCES UNLESS OTHERWISE SPECIFIED ARE AS FOLLOWS
.XX _____ .01
.XXX _____ .005
.XX ROUGH CASTING _____ .03
HOLES _____ -.001 / +.006
ANGLES _____ 0°30"

SIZE	DRAWN DATE	RELEASE DATE	DWG NO. / PART NO.	REV
B	4-12-02	6-24-03	170 - 010 - 0001	R1
SCALE	STF	DRAWN BY	MJG	ES-23
				REV DATE
				12-1-10



MOTOR WIRING CONNECTIONS:
CW ROTATION DRIVE END
CONNECT S2 & A1 TOGETHER
CONNECT S1 TO BATTERY TERMINAL
CCW ROTATION DRIVE END
CONNECT A2 TO OTHER BATTERY TERMINAL
SWITCH S1 & S2 CONNECTIONS

ELECTRICAL WIRING DIAGRAM