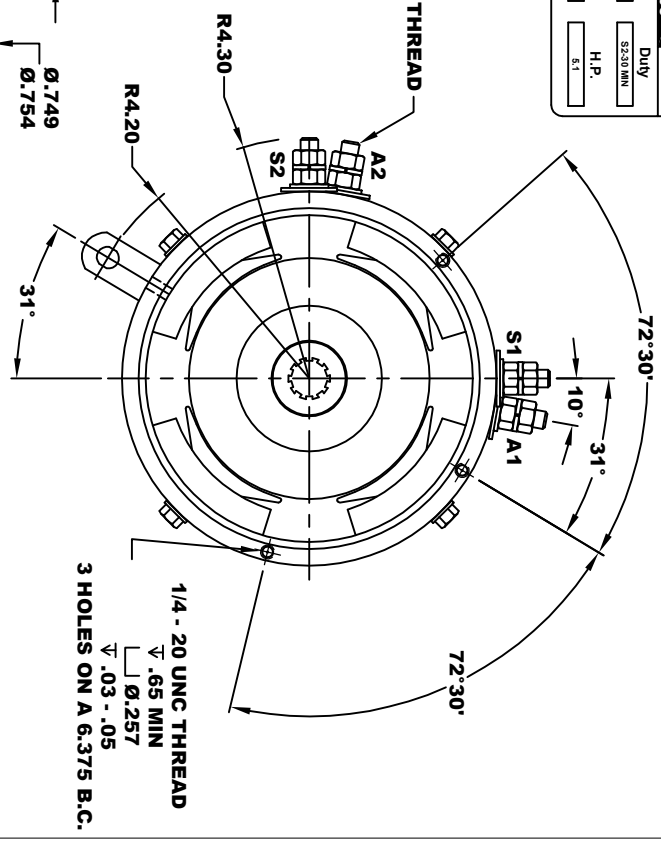
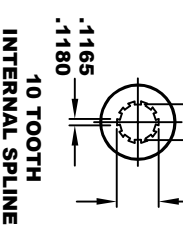
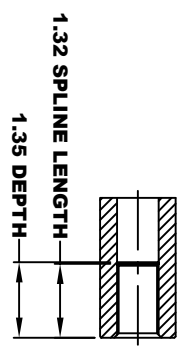
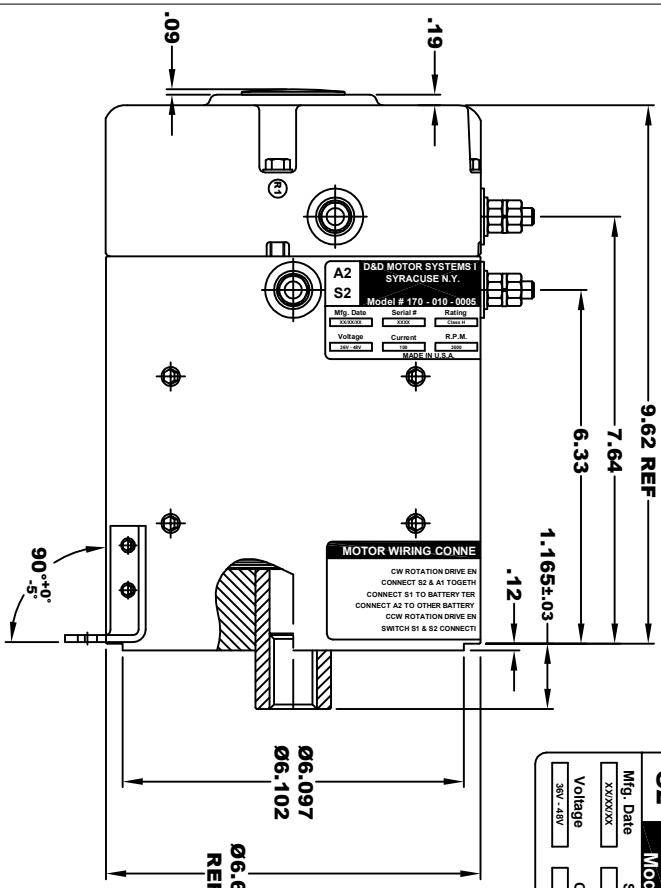


**TORQUE SPECIFICATION FOR
POWER CABLE SECURING TOP NUTS
5/16-18 UNC - 110 IN / LBS MAX**

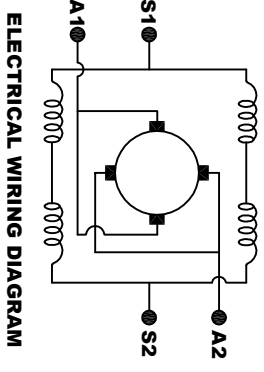
A2		D&D MOTOR SYSTEMS INC.		A1	
S2		SYRACUSE N.Y.		S1	
Model # 170 - 010 - 0005					
Mfg. Date	Serial #	Rating	Duty		
XXXXXX	XXXX	CLASS - H	S230 NM		
Current	R.P.M.	H.P.			
100	3000	5.1			
Voltage	MADE IN U.S.A.				
380-480V					



**MOTOR WEIGHT 54 LBS
CLASS "H" INSULATION
PERFORMANCE SPEC: 11**

D & D MOTOR SYSTEMS INC

MOTOR OUTLINE



MOTOR WIRING CONNECTIONS:
CW ROTATION DRIVE END
CONNECT S2 & A1 TOGETHER
CONNECT S1 TO BATTERY TERMINAL
CONNECT A2 TO OTHER BATTERY TERMINAL
CCW ROTATION DRIVE END
SWITCH S1 & S2 CONNECTIONS

THIS PRINT IS THE PROPERTY OF D&D MOTOR SYSTEMS INC.
 DO NOT SCALE
 WORK TO DIMENSIONS
 TOLERANCES UNLESS OTHERWISE SPECIFIED ARE AS FOLLOWS
 .XX .01
 .XXX .005
 .XX X .03
 HOLES .001 / +.006
 ANGLES 0-30°

SIZE	DRAWN DATE	RELEASE DATE	DWG NO. / PART NO.	REV
B	4-12-02	6-3-23	170 - 010 - 0005	R1
SCALE	STF	DRAWN BY	MJG	ES-23
				REV DATE
				12-1-10