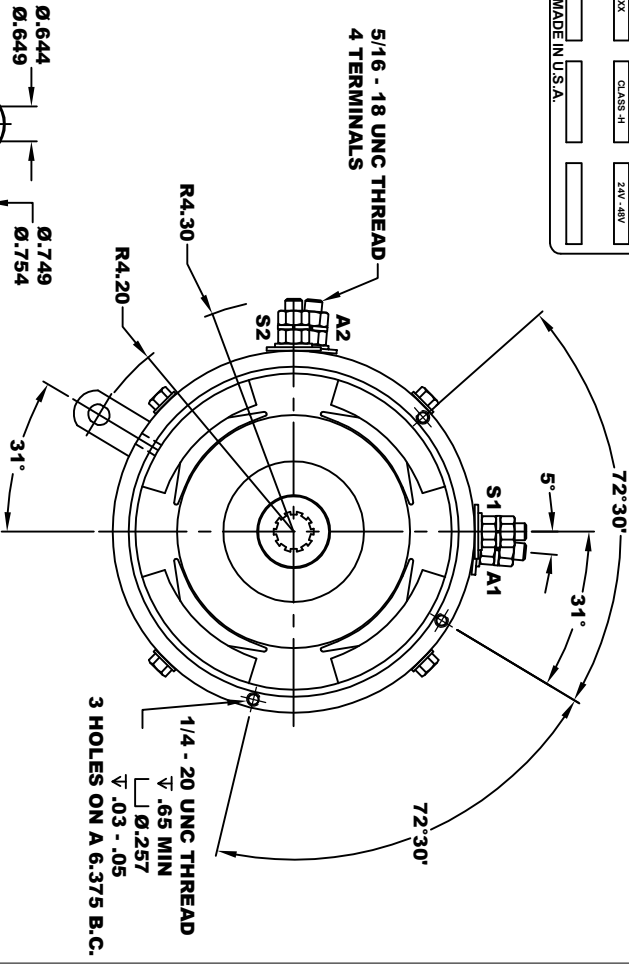
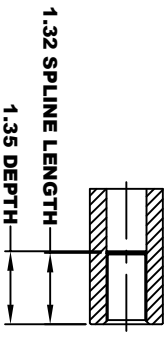
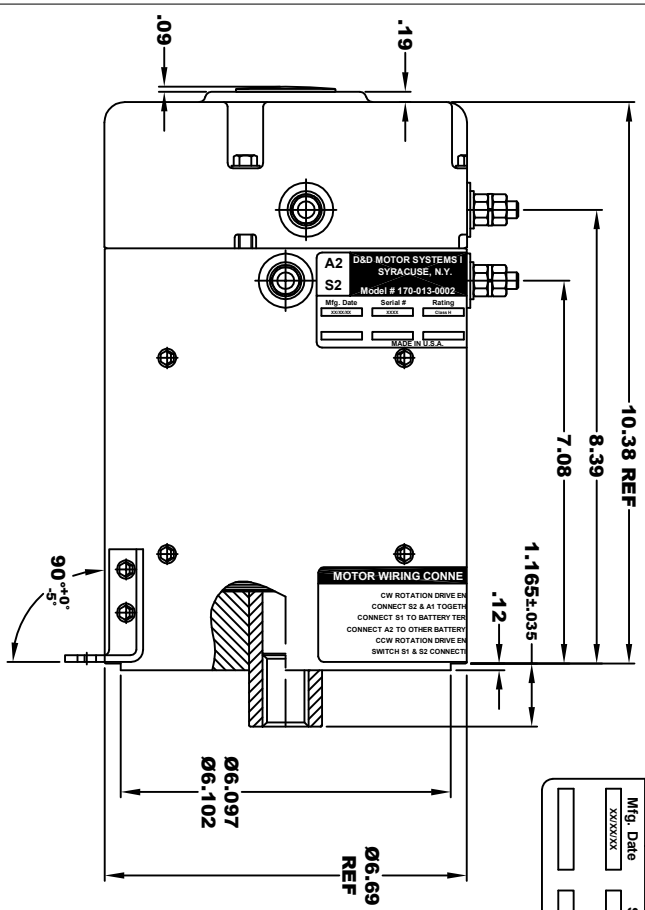
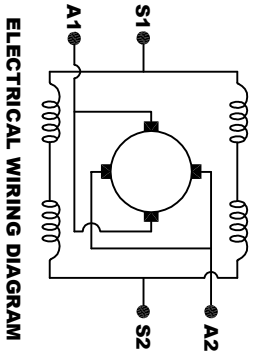


D&D MOTOR SYSTEMS INC.			
A2	S2	A1	S1
SYRACUSE, N.Y.			
Model # 170-013-0002			
Mfg. Date	Serial #	Rating	Voltage
XXXXXX	XXXX	CLASS #1	24V-48V
MADE IN U.S.A.			



TORQUE SPECIFICATION FOR POWER CABLE SECURING TOP NUTS
5/16-18 UNC - 110 IN / LBS MAX

MOTOR WEIGHT 58 LBS
CLASS "H" INSULATION
PERFORMANCE SPEC: 26



ELECTRICAL WIRING DIAGRAM

MOTOR WIRING CONNECTIONS:
CW ROTATION DRIVE END
 CONNECT S2 & A1 TOGETHER
 CONNECT S1 TO BATTERY TERMINAL
CCW ROTATION DRIVE END
 CONNECT A2 TO OTHER BATTERY TERMINAL
 SWITCH S1 & S2 CONNECTIONS

THIS PRINT IS THE PROPERTY OF D&D MOTOR SYSTEMS INC.
 DO NOT SCALE
 WORK TO DIMENSIONS
 TOLERANCES UNLESS OTHERWISE SPECIFIED ARE AS FOLLOWS
 .XX .01
 .XXX .005
 .XX XX ROUGH CASTING .03
 HOLES .001 / +.006
 ANGLES 0-30°

D & D MOTOR SYSTEMS INC			
MOTOR OUTLINE			
SIZE	DRAWN DATE	RELEASE DATE	DWG NO. / PART NO.
B	2-14-03	11-06-23	170-013-0002
SCALE	STF	DRAWN BY	REV DATE
		MJG	ES-58