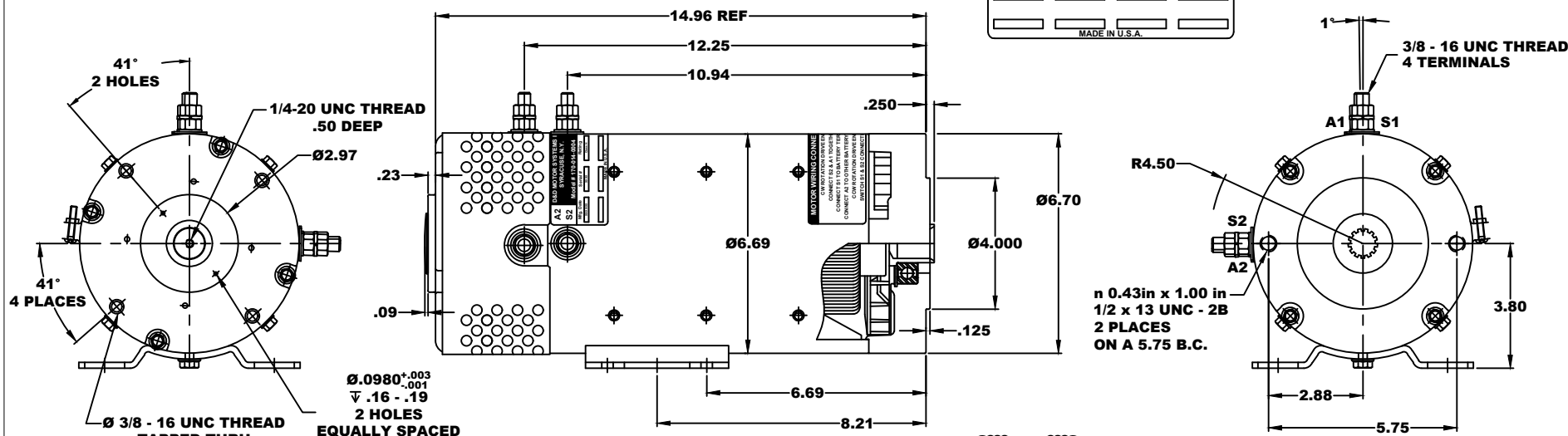


A2	D&D MOTOR SYSTEMS INC.		A1
S2	SYRACUSE N.Y.		S1
Model # 170-014-0004			
Mfg. Date	Serial #	Rating	Voltage
XXXXXX	XXXX	CLASS H	24V 72V
MADE IN U.S.A.			

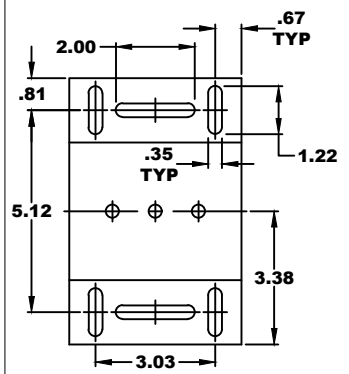
TORQUE SPECIFICATION FOR POWER CABLE SECURING TOP NUTS
3/8-16 UNC - 140 IN / LBS MAX



Ø 3/8 - 16 UNC THREAD TAPPED THRU
 .03 -.05 x 45° CHAMFER
 4 PLACES, ON A Ø5.875 B. C.

Ø.0980^{+.003}
 -.001
 √ .16 - .19
 2 HOLES
 EQUALLY SPACED
 ON A 2.45 B.C.

n 0.43in x 1.00 in
 1/2 x 13 UNC - 2B
 2 PLACES
 ON A 5.75 B.C.

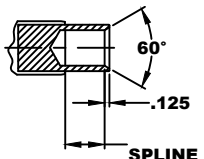


INTERNAL INVOLUTE SPLINE SPECIFICATION
 FILLET ROOT SIDE FIT (PER A.N.S.I. B92.1 CLASS 5)

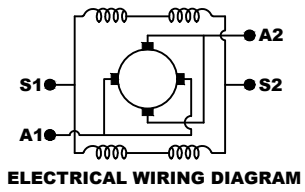
- NO. OF TEETH — 13
- SPLINE PITCH — 16 / 32
- PRESSURE ANGLE — 30°
- BASE Ø — .7036 REF
- PITCH Ø — .8125 REF
- MAJOR Ø — .901
- FORM Ø — .879
- MINOR Ø — .754

∅	.010	A
L	.010	B

- CIRCULAR SPACE WIDTH**
- MAX ACTUAL — .1008
 - MIN EFFECTIVE — .XXXX
 - MAX DIMENSION BETWEEN TWO PINS — .XXXX
 - PIN Ø — .XXXX



1.00 MIN.
 SPLINE HARDNESS R/C 46 / 52



MOTOR WIRING CONNECTIONS:
 CW ROTATION DRIVE END
 CONNECT S2 & A1 TOGETHER
 CONNECT S1 TO BATTERY TERMINAL
 CCW ROTATION DRIVE END
 SWITCH S1 & S2 CONNECTIONS

MOTOR WEIGHT: 83 LBS
CLASS "H" INSULATION
PERFORMANCE SPEC: 29 / K-254

THIS PRINT IS THE PROPERTY OF D&D MOTOR SYSTEMS INC.
 DO NOT SCALE
 WORK TO DIMENSIONS
 TOLERANCES UNLESS OTHERWISE SPECIFIED ARE AS FOLLOWS

.XX	_____	.01
.XXX	_____	.005
.XX RROUGH CASTING	_____	.03
HOLES	_____	.001 / +.006
ANGLES	_____	0°30"

D & D MOTOR SYSTEMS INC				
MOTOR OUTLINE				
SIZE	DRAWN DATE	RELEASE DATE	DWG NO. / PART NO.	REV
B	6-30-09	11-06-23	170-014-0004	
SCALE	DRAWN BY	REV DATE		
STF	MJG	ES-99-29		