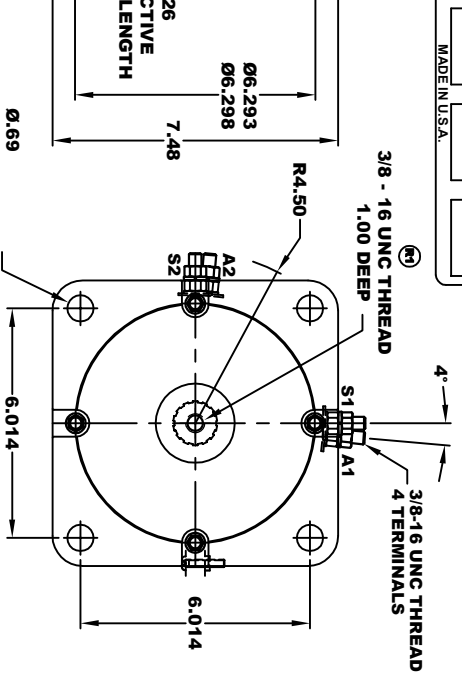
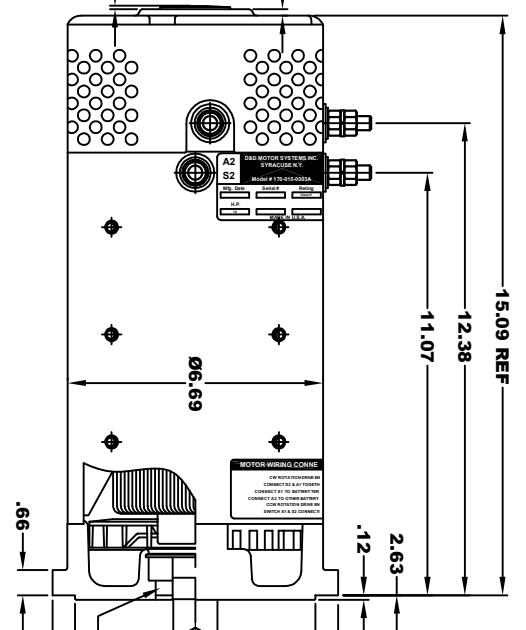
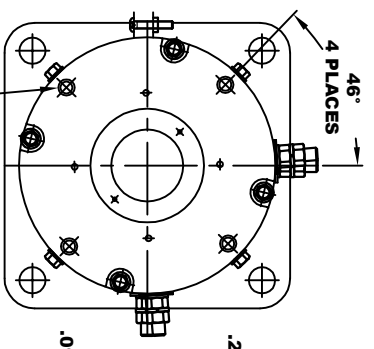


**D&D MOTOR SYSTEMS INC.**  
SYRACUSE N.Y.

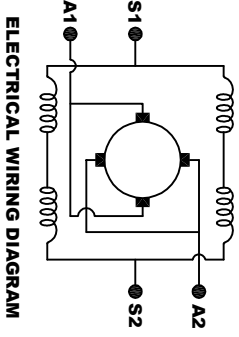
|                       |                |
|-----------------------|----------------|
| <b>A2</b>             | <b>A1</b>      |
| <b>S2</b>             | <b>S1</b>      |
| Mfg. Date             | Serial #       |
| Rating                | Class. #       |
| H.P.                  | Voltage        |
| Model # 170-015-0003A | MADE IN U.S.A. |

**TORQUE SPECIFICATION FOR POWER CABLE SECURING TOP NUTS**  
3/8-16 UNC - 140 IN / LBS MAX



**EXTERNAL INVOLUTE SPLINE DATA TO DINS480**

|                      |                 |
|----------------------|-----------------|
| SPLINE DESIGNATION   | W30x2x14x9g     |
| TYPE OF FIT          | SIDE FIT        |
| NUMBER OF TEETH      | 14              |
| MODULE               | 2               |
| PRESSURE ANGLE       | 30°             |
| MAJOR DIAMETER (h11) | 1.160 - 1.165   |
| MINOR DIAMETER (h14) | .988 - 1.007    |
| MEASURING PIN        | .1574           |
| DIMENSION OVER PINS  | 1.3620 - 1.3695 |
| TOOTH THICKNESS (9g) | .1157 - .1177   |
| REFERENCE DIAMETER   | 1.181           |
| PITCH DIAMETER       | 1.102           |
| BASE CIRCLE DIAMETER | .9547           |
| FORM DIAMETER        | 1.021           |
| MIN FILLET RADI      | .018            |
| MATING PART NO       | G1036           |



**MOTOR WIRING CONNECTIONS:**  
CW ROTATION DRIVE END  
CONNECT S2 & A1 TOGETHER  
CONNECT S1 TO BATTERY TERMINAL  
CONNECT A2 TO OTHER BATTERY TERMINAL  
CCW ROTATION DRIVE END  
SWITCH S1 & S2 CONNECTIONS

**D & D MOTOR SYSTEMS INC**

**MOTOR OUTLINE**

|       |         |              |                    |          |
|-------|---------|--------------|--------------------|----------|
| SIZE  | DATE    | RELEASE DATE | DWG NO. / PART NO. | REV      |
| B     | 4-10-03 | 3-15-23      | 170 - 015 - 0003A  | R1       |
| SCALE | STF     | DRAWN BY     | MJG                | ES-77    |
|       |         |              |                    | REV DATE |
|       |         |              |                    | 4-13-10  |

**MOTOR WEIGHT: 82 LBS**  
**CLASS "H" INSULATION**  
**PERFORMANCE SPEC: 16**

THIS PRINT IS THE PROPERTY OF D&D MOTOR SYSTEMS INC.  
DO NOT SCALE  
WORK TO DIMENSIONS  
TOLERANCES UNLESS OTHERWISE SPECIFIED ARE AS FOLLOWS  
XX- .01  
XXX- .005  
XX ROUGH CASTING .03  
HOLES .001 / +.006  
ANGLES -0.30°