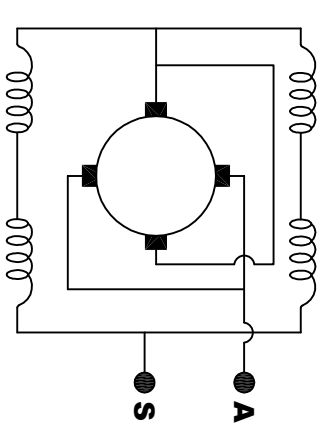
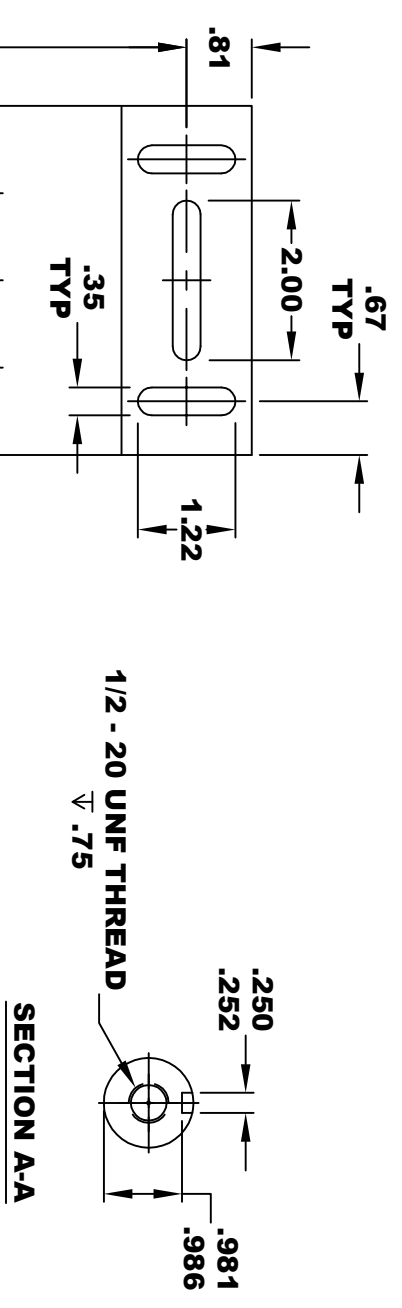
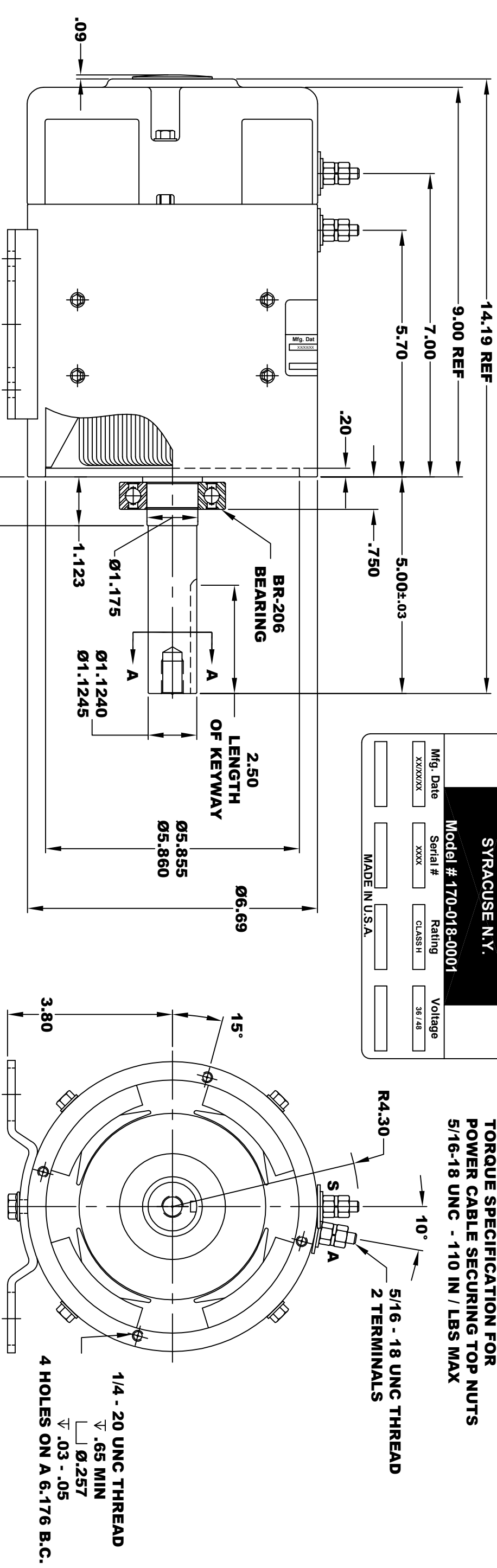


D&D MOTOR SYSTEMS INC.
SYRACUSE N.Y.

Model # 170-018-0001

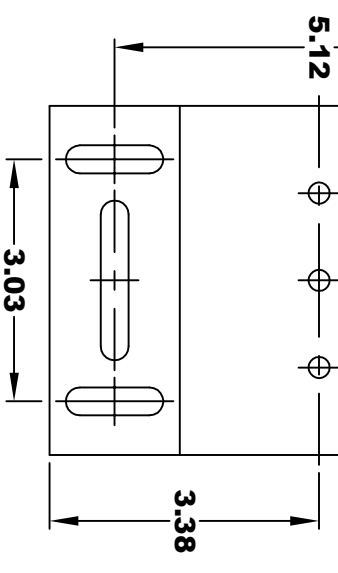
Mfg. Date XX/XX/XX	Serial # XXXX	Rating CLASS H	Voltage 36 / 48
MADE IN U.S.A.			

**TORQUE SPECIFICATION FOR
POWER CABLE SECURING TOP NUTS**
5/16-18 UNC - 110 IN / LBS MAX



ELECTRICAL WIRING DIAGRAM

MOTOR WIRING CONNECTIONS:
CGW ROTATION DRIVE END
CONNECT ONE POWER CABLE TO TERMINAL A
CONNECT THE OTHER POWER CABLE TO TERMINAL S



MOTOR WEIGHT: 49 LBS
CLASS "H" INSULATION
PERFORMANCE SPEC: 94

THIS PRINT IS THE PROPERTY OF D&D MOTOR SYSTEMS INC.
DO NOT SCALE
WORK TO DIMENSIONS
TOLERANCES UNLESS OTHERWISE SPECIFIED ARE AS FOLLOWS
XX .01
XXX .005
.XX ROUGH CASTING .03
HOLES .001 / +.006
ANGLES 0°30"

D & D MOTOR SYSTEMS INC

MOTOR OUTLINE

SIZE	DRAWN DATE	RELEASE DATE	DWG NO. / PART NO.	REV
B	1-10-15	4-25-19	170 - 018 - 0001	
SCALE	STF	DRAWN BY	MJG	REV DATE
			ES-106-94	