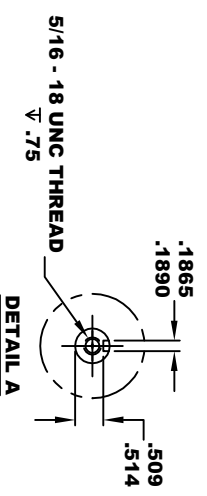
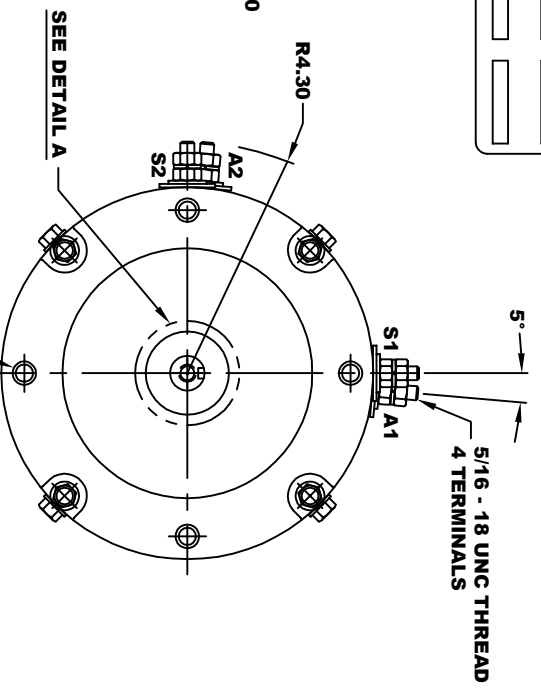
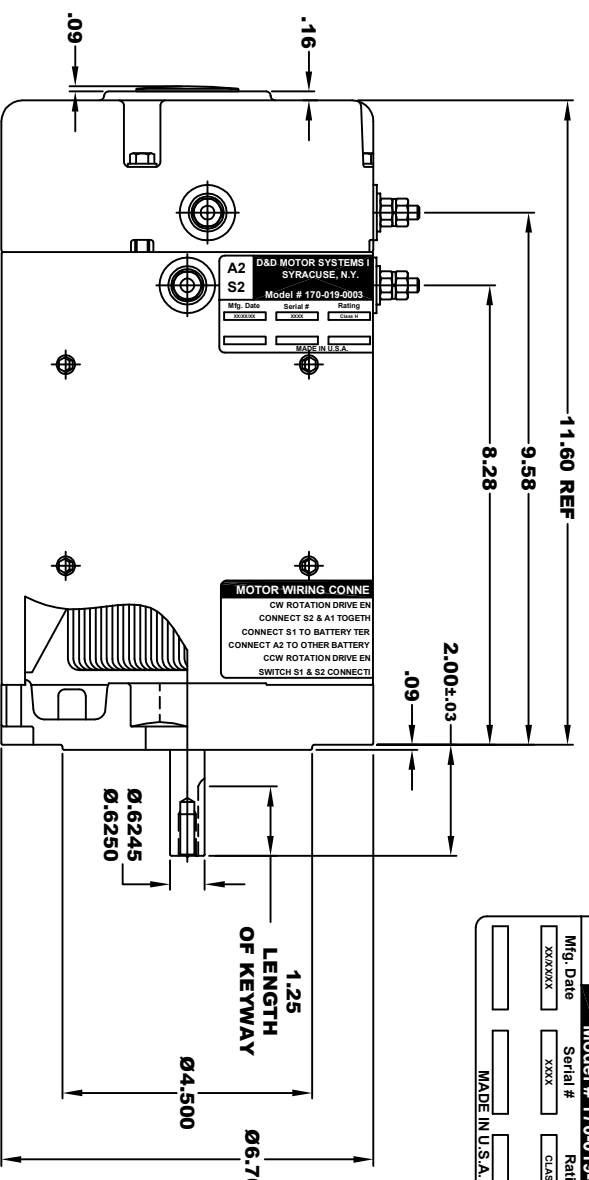
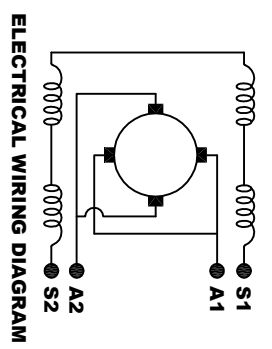


D&D MOTOR SYSTEMS INC.			
A2	SYRACUSE N.Y.		A1
S2	Model # 170-019-0003		S1
Mfg. Date	Serial #	Rating	Voltage
XX/XX/XX	XXXX	CLASS II	24 (28) / 48
MADE IN U.S.A.			

**TORQUE SPECIFICATION FOR
POWER CABLE SECURING TOP NUTS
5/16-18 UNC - 110 IN / LBS MAX**



**MOTOR WEIGHT: 62 LBS
CLASS "H" INSULATION
PERFORMANCE SPEC: 21**



MOTOR WIRING CONNECTIONS:
CW ROTATION DRIVE END
 CONNECT S2 & A1 TOGETHER
 CONNECT S1 TO BATTERY TERMINAL
CCW ROTATION DRIVE END
 CONNECT A2 TO OTHER BATTERY TERMINAL
 SWITCH S1 & S2 CONNECTIONS

THIS PRINT IS THE PROPERTY OF D&D MOTOR SYSTEMS INC.
 DO NOT SCALE
 WORK TO DIMENSIONS
 TOLERANCES UNLESS OTHERWISE SPECIFIED ARE AS FOLLOWS
 .XX .01
 .XXX .005
 .XX ROUNG CASTING .03
 HOLES .001 / +.006
 ANGLES 0-30°

D & D MOTOR SYSTEMS INC			
MOTOR OUTLINE			
SIZE	DRAWN DATE	RELEASE DATE	DWG NO. / PART NO.
B	9-2-09	8-12-24	170-019-0003
SCALE	DRAWN BY	REV	DATE
STF	MJG	ES-116A-21	