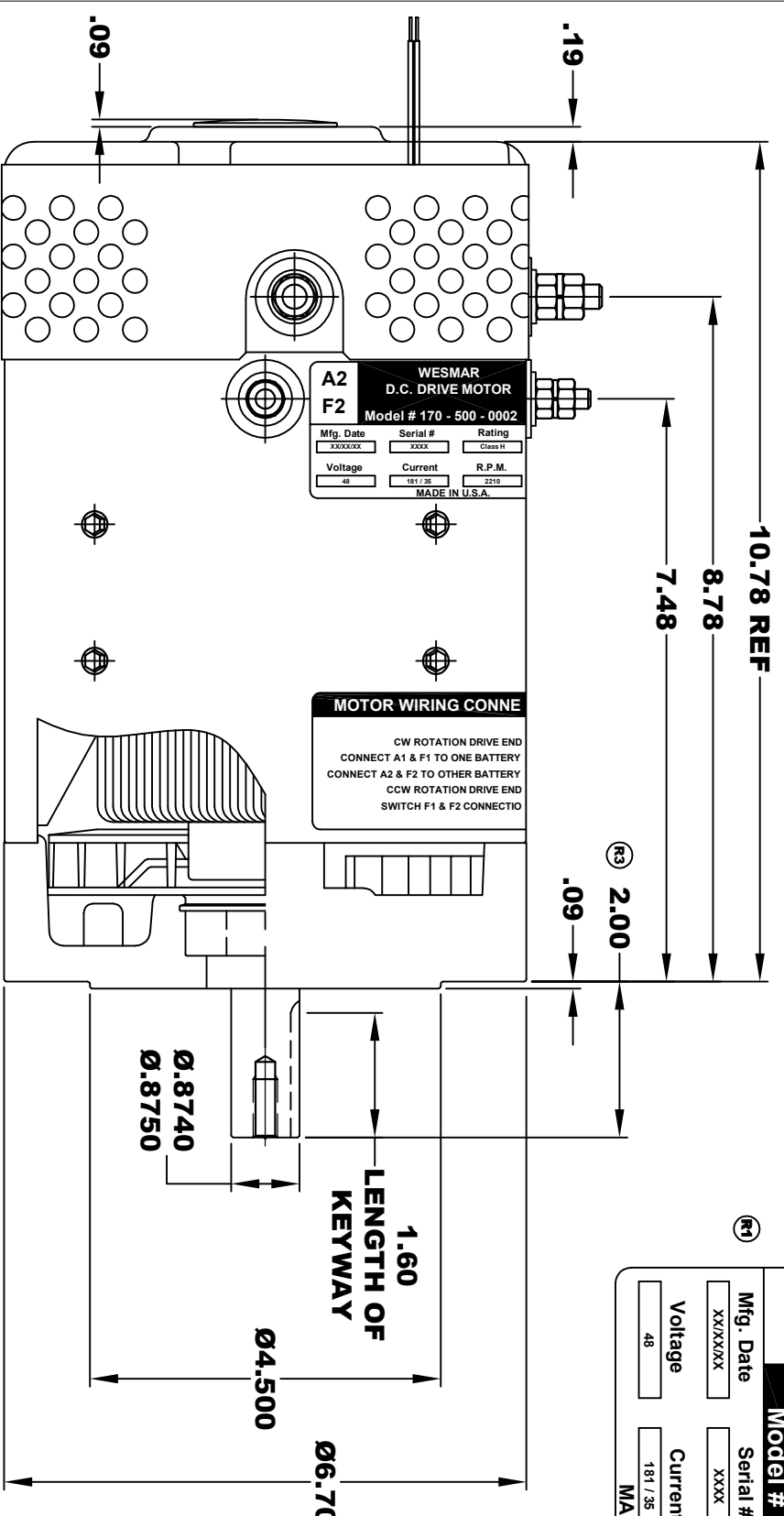


# DRAFT

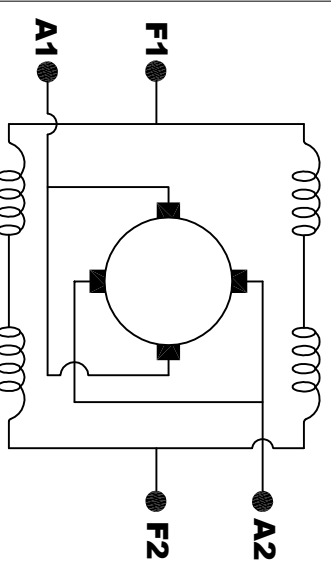


|                                 |          |           |            |
|---------------------------------|----------|-----------|------------|
| <b>A2</b>                       |          | <b>A1</b> |            |
| <b>WESMAR D.C. DRIVE MOTOR</b>  |          |           |            |
| <b>F2</b>                       |          | <b>F1</b> |            |
| <b>Model # 170 - 500 - 0002</b> |          |           |            |
| Mfg. Date                       | Serial # | Rating    | Duty       |
| XX/XXXX                         | XXXX     | Class H   | S2 - 8 MIN |
| Voltage                         | Current  | R.P.M.    | H.P.       |
| 48                              | 181 / 35 | 2210      | 9.25       |
| MADE IN U.S.A.                  |          |           |            |

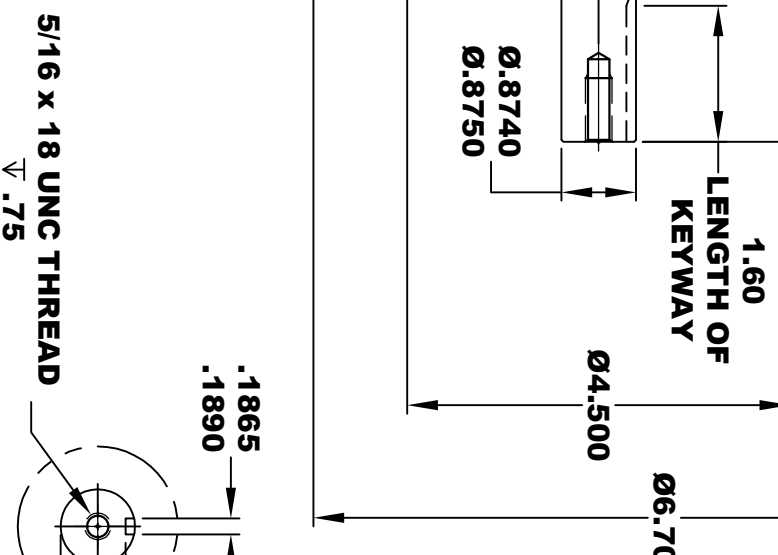
**TORQUE SPECIFICATION FOR POWER CABLE SECURING TOP NUTS**  
**5/16-18 UNC (A1 / A2) - 110 IN / LBS MAX**  
**1/4-20 UNC (F1 / F2) - 50 IN / LBS MAX**

**THERMAL PROTECTOR ELECTRICAL SPECIFICATION:**  
**MAX. DC OPERATING VOLTAGE: 60 VOLTS**  
**140° C NORMALLY OPEN SWITCH**

**DETAIL B**

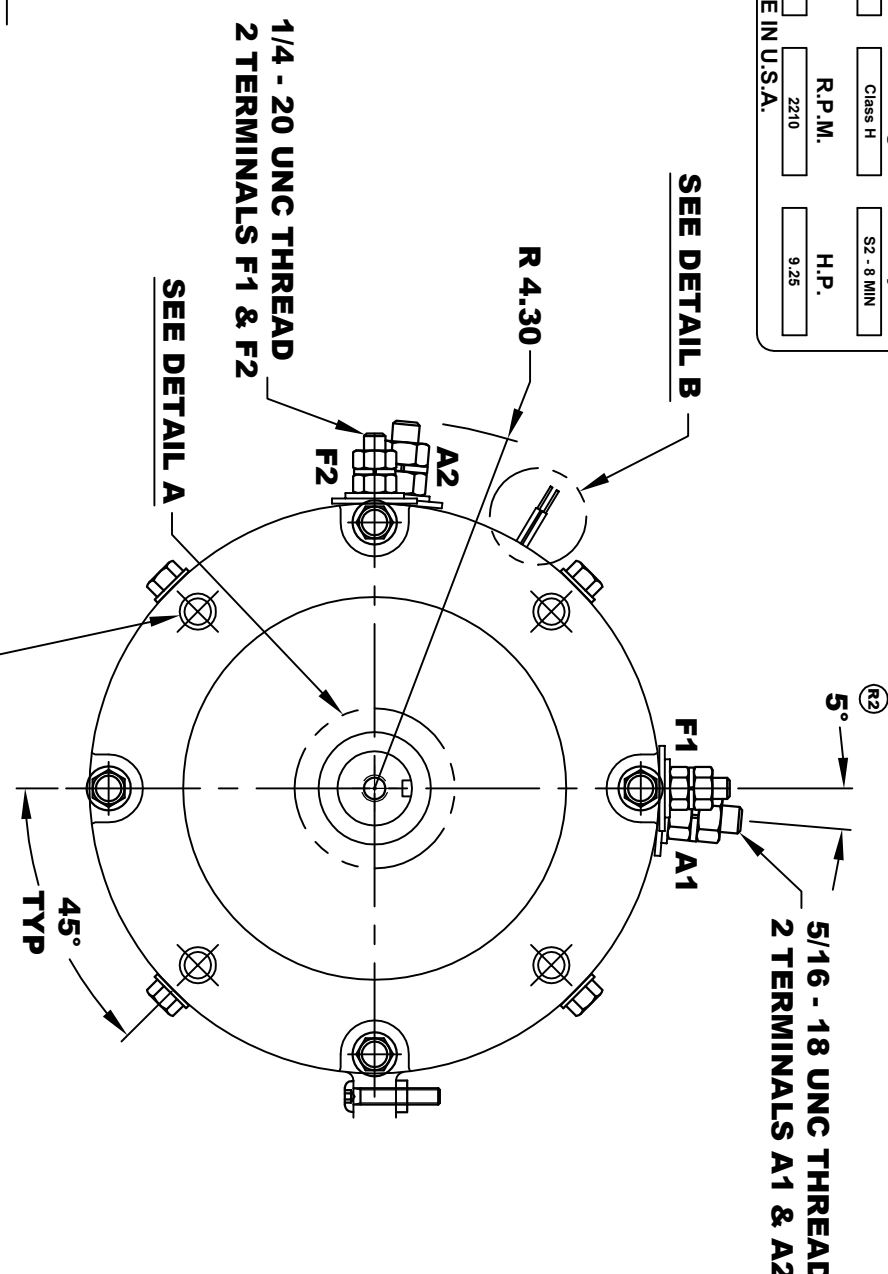


**ELECTRICAL WIRING DIAGRAM**



**DETAIL A**

**MOTOR WEIGHT: 50 LBS**  
**CLASS "H" INSULATION**  
**PERFORMANCE SPEC: 4**



**MOTOR WIRING CONNECTIONS:**

- CW ROTATION DRIVE END**
- CONNECT A1 & F1 TO ONE BATTERY TERMINAL**
- CONNECT A2 & F2 TO OTHER BATTERY TERMINAL**
- CCW ROTATION DRIVE END**
- SWITCH F1 & F2 CONNECTIONS**

THIS PRINT IS THE PROPERTY OF D&D MOTOR SYSTEMS INC.  
 DO NOT SCALE  
 WORK TO DIMENSIONS  
 TOLERANCES UNLESS OTHERWISE SPECIFIED ARE AS FOLLOWS

|                   |              |
|-------------------|--------------|
| XX                | .01          |
| XXX               | .005         |
| .XX ROUGH CASTING | .03          |
| HOLES             | .001 / +.006 |
| ANGLES            | 0°30"        |

**D & D MOTOR SYSTEMS INC**  
**MOTOR OUTLINE**

|       |            |              |                    |          |
|-------|------------|--------------|--------------------|----------|
| SIZE  | DRAWN DATE | RELEASE DATE | DWG NO. / PART NO. | REV      |
| B     | 8-6-02     | 12-9-02      | 170 - 500 - 0002   | R3       |
| SCALE | STF        | DRAWN BY     | MJG                | ES-10E   |
|       |            |              |                    | REV DATE |
|       |            |              |                    | 5-20-05  |