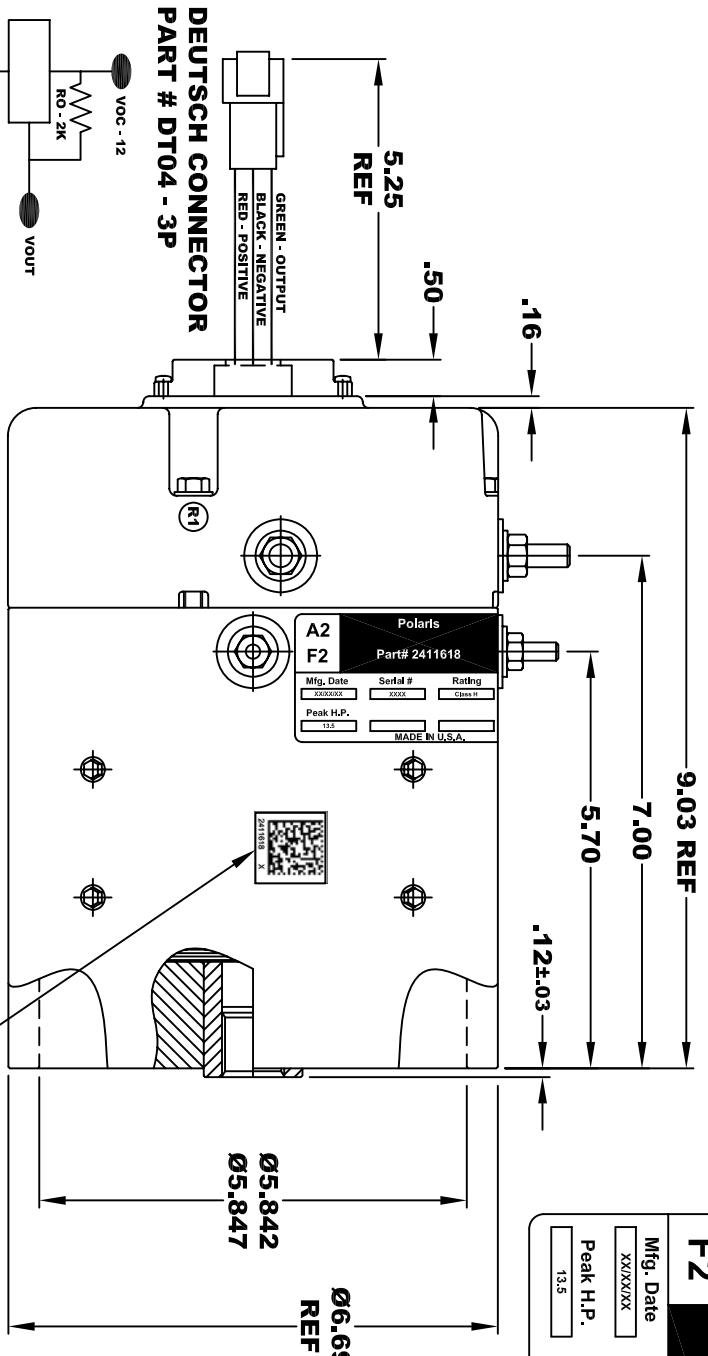


A2		Polaris		A1	
F2		Part # 2411618		F1	
Mfg. Date	Serial #	Rating	Voltage		
XXXX/XX	XXXX	Class H	36 / 48		
Peak H.P.	MADE IN U.S.A.		Model #		
13.5			170-501-0002F		



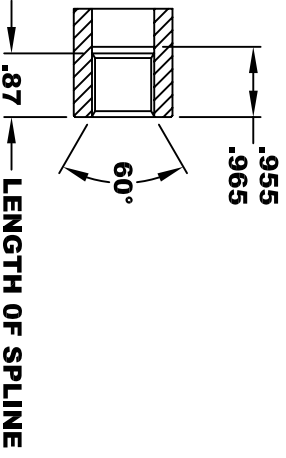
NOTE:
2D BAR CODE FORMAT IS TO FOLLOW THE POLARIS
2D DIRECT COMPONENT MARKING SPECIFICATIONS

SPEED SENSOR ELECTRICAL SPECIFICATION:

- 4.5V TO 24V OPERATING VOLTAGE
- 20°C TO 85°C OPERATING TEMPERATURE
- CURRENT SINKING UP TO 25mA
- AN EXTERNAL OUTPUT PULL UP RESISTOR IS REQUIRED
- SENSOR IS DESIGNED TO OPERATE WITH 4 N/S POLEPAIRS
- THE OPERATIONAL DISTANCE BETWEEN THE MAGNET AND THE HOUSING, INCLUDING ANY RUNOUT SHOULD NOT EXCEED .030 INCHES

**INTERNAL INVOLUTE SPLINE SPECIFICATION
CLASS 5 FILLET ROOT SIDE FIT (PER A.N.S.I. B92.1)**

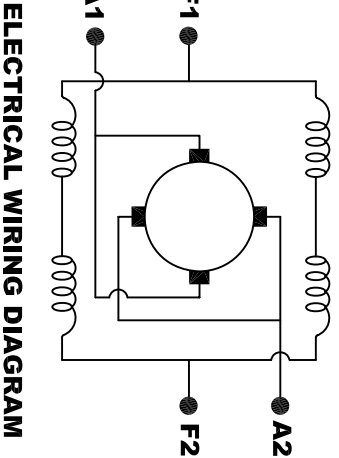
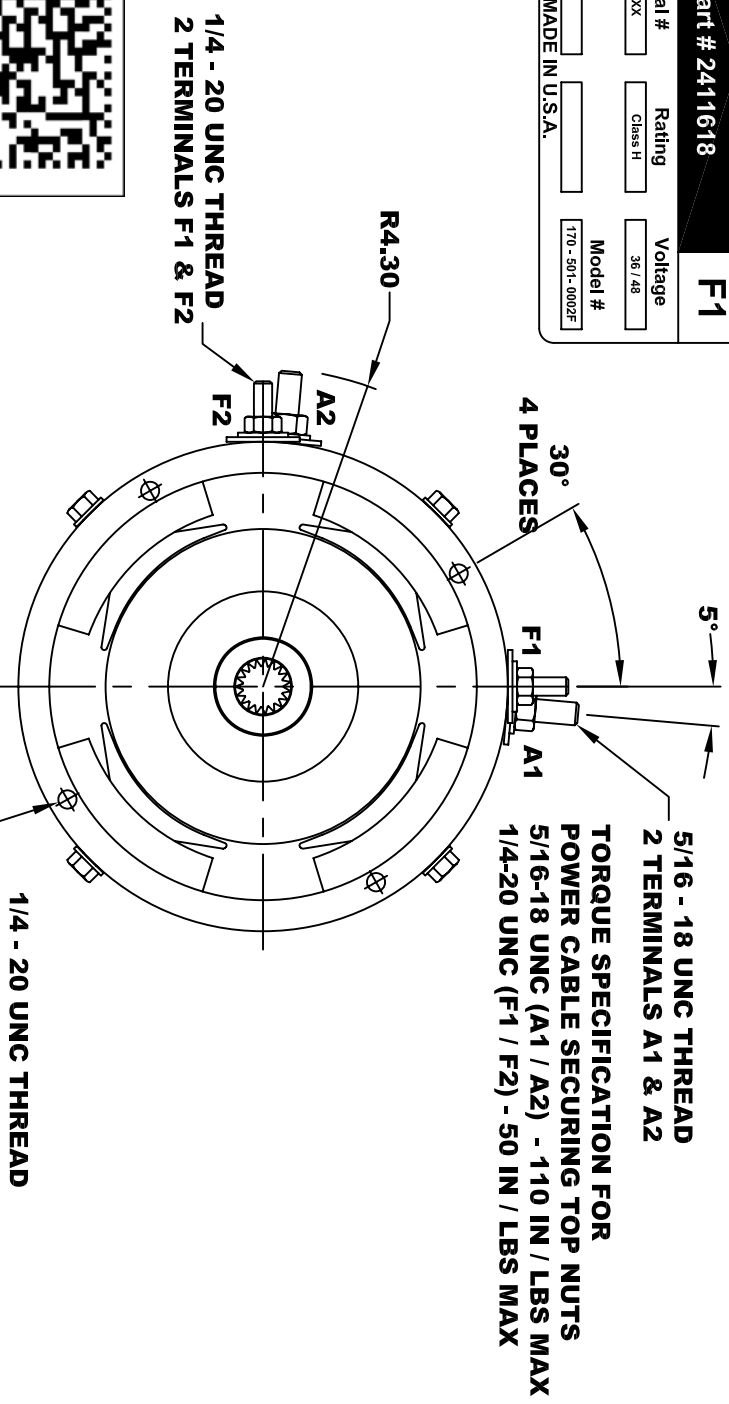
- NO. OF TEETH _____ 19
- SPLINE PITCH _____ 24 / 48
- PRESSURE ANGLE _____ 45°
- BASE Ø _____ .5597 REF
- PITCH Ø _____ .7916 REF
- MAJOR Ø _____ .850 - .859
- FORM Ø _____ .835
- MINOR Ø _____ .767 - .772
- CIRCULAR SPACE WIDTH _____ .0764
- EFFECTIVE SPACE WIDTH _____ .0738
- MAX. DIMENSION BETWEEN TWO PINS _____ .6714
- PIN Ø _____ .0800
- SPLINE HARDNESS TO BE R/C 26-34



MOTOR WEIGHT: 46 LBS
CLASS "H" INSULATION
PERFORMANCE SPEC: 5



CUSTOMER PART #
MOTOR SERIAL #



ELECTRICAL WIRING DIAGRAM

MOTOR WIRING CONNECTIONS:
CW ROTATION DRIVE END
CONNECT A1 & F1 TO ONE BATTERY TERMINAL
CONNECT A2 & F2 TO OTHER BATTERY TERMINAL
CCW ROTATION DRIVE END
SWITCH F1 & F2 CONNECTIONS

D & D MOTOR SYSTEMS INC

MOTOR OUTLINE

THIS PRINT IS THE PROPERTY OF D&D MOTOR SYSTEMS INC.
DO NOT SCALE
WORK TO DIMENSIONS
TOLERANCES UNLESS OTHERWISE SPECIFIED ARE AS FOLLOWS
.XX _____ .01
.XXX _____ .005
.XX ROUGH CASTING _____ .03
HOLES _____ -.001 / +.006
ANGLES _____ 0°30"

SIZE	DRAWN DATE	RELEASE DATE	DWG NO. / PART NO.	REV
B	2-3-10	2-26-10	170-501-0002F	R1
SCALE	STF	DRAWN BY	MJG	ES-8C-5
				REV DATE
				12-1-10