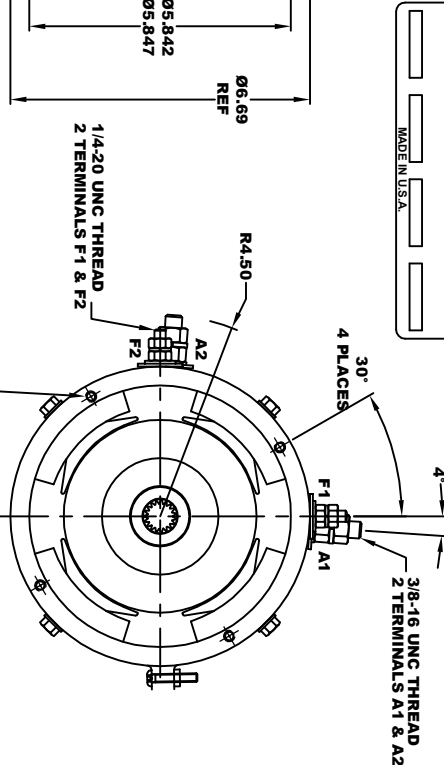
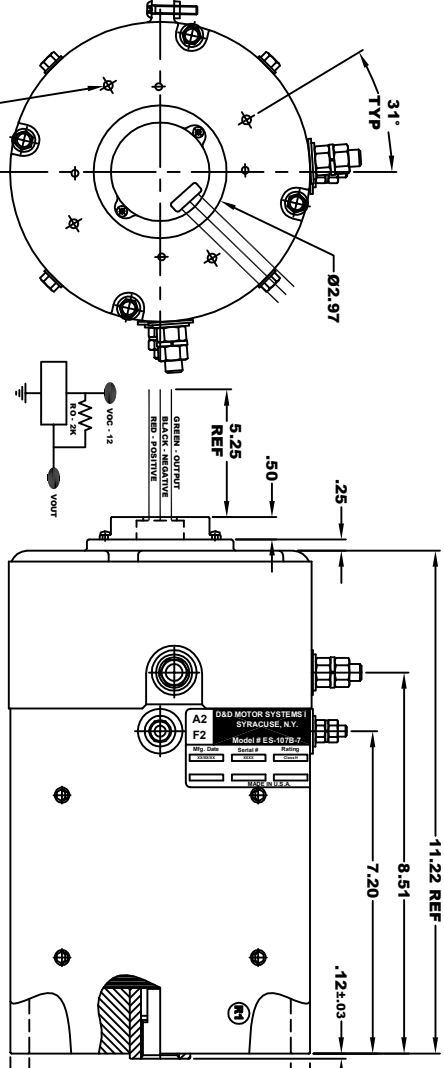
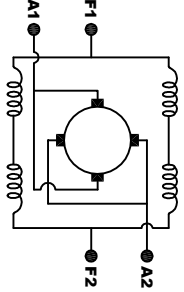


| | | | | | |
|----------------------|----------|-----------------------------------|---------|-----------|--|
| A2 | | D&D MOTOR SYSTEMS INC. | | A1 | |
| F2 | | SYRACUSE N.Y. | | F1 | |
| Model # 170-502-0003 | | | | | |
| Mfg. Date | Serial # | Rating | Class # | Voltage | |
| XXXXXX | XXXX | | | 24V-28V | |
| MADE IN U.S.A. | | | | | |

TORQUE SPECIFICATION FOR POWER CABLE SECURING TOP NUTS
 3/8-16 UNC (A1 / A2) - 140 IN / LBS MAX
 1/4-20 UNC (F1 / F2) - 50 IN / LBS MAX



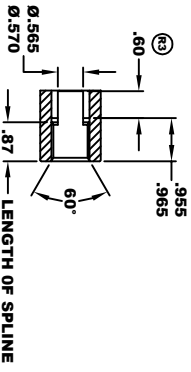
ELECTRICAL SPECIFICATION:
 -4.5V TO 24V OPERATING VOLTAGE
 -20°C TO 85°C OPERATING TEMPERATURE
 -CURRENT SINKING UP TO 25mA
 -AN EXTERNAL OUTPUT PULL UP RESISTOR IS REQUIRED
 -SENSOR IS DESIGNED TO OPERATE WITH 4 N/S POLEPAIRS
 AND THE HOUSING, INCLUDING ANY RUNOUT SHOULD NOT EXCEED .030 INCHES



MOTOR WIRING CONNECTIONS:
 CW ROTATION DRIVE END
 CONNECT A1 & F1 TO ONE BATTERY TERMINAL
 CONNECT A2 & F2 TO OTHER BATTERY TERMINAL
 CCW ROTATION DRIVE END
 SWITCH F1 & F2 CONNECTIONS

INTERNAL INVOLUTE SPLINE SPECIFICATION
 CLASS 5 FILLET ROOT SIDE FIT (PER A.N.S.I. B92.1)

| | |
|---------------------------------|-------------|
| NO. OF TEETH | 19 |
| SPLINE PITCH | 24.148 |
| PRESSURE ANGLE | 45° |
| BASE Ø | .5397 REF |
| PITCH Ø | .7916 REF |
| MAJOR Ø | .850 - .859 |
| FORM Ø | .835 |
| MINOR Ø | .767 - .772 |
| CIRCULAR SPACE WIDTH | .0764 |
| EFFECTIVE SPACE WIDTH | .0738 |
| MAX. DIMENSION BETWEEN TWO PINS | .6714 |
| SPLINE HARDNESS TO BE RIC | 26-34 |



MOTOR WEIGHT 62 LBS
 CLASS "H" INSULATION
 PERFORMANCE SPEC: 7

THIS PRINT IS THE PROPERTY OF D&D MOTOR SYSTEMS INC.
 DO NOT SCALE
 WORK TO DIMENSIONS
 TOLERANCES UNLESS OTHERWISE SPECIFIED ARE AS FOLLOWS

| | |
|--------|--------------|
| XXX | .01 |
| XX | .005 |
| XX | .005 |
| XX | .03 |
| HOLES | .001 / +.006 |
| ANGLES | ±.30° |

| | | | |
|------------------------------------|------------|--------------|--------------------|
| D & D MOTOR SYSTEMS INC | | | |
| MOTOR OUTLINE | | | |
| SIZE | DRAWN DATE | RELEASE DATE | DWG NO. / PART NO. |
| B | 11-17-06 | 7-31-23 | 170-502-0003 |
| SCALE | STF | DRAWN BY | MJG |
| | | | ES-107B-7 |
| | | | REV DATE |
| | | | 3-16-16 |
| | | | REV |
| | | | R3 |