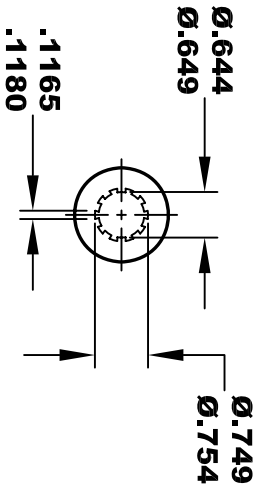
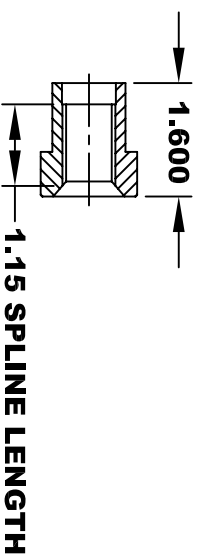
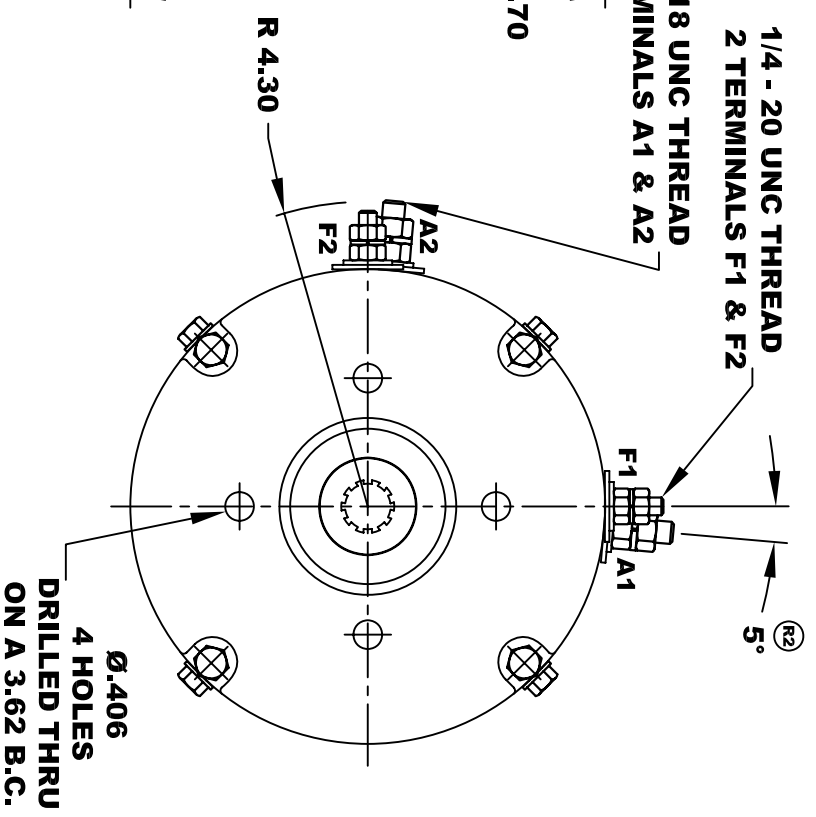
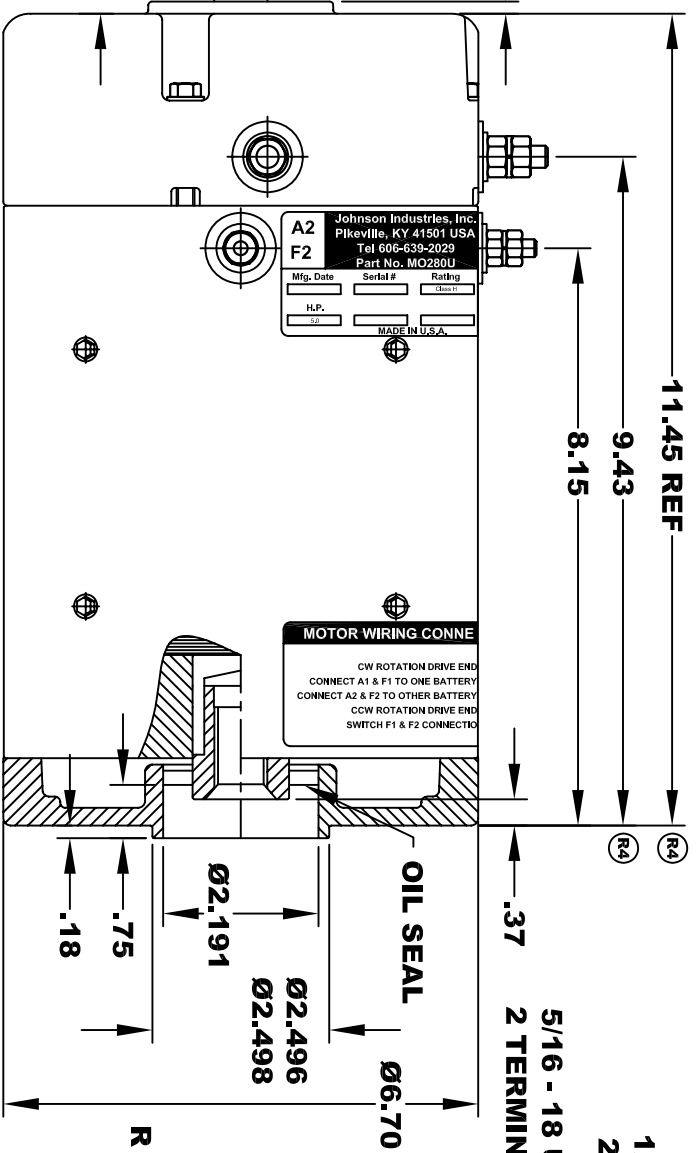
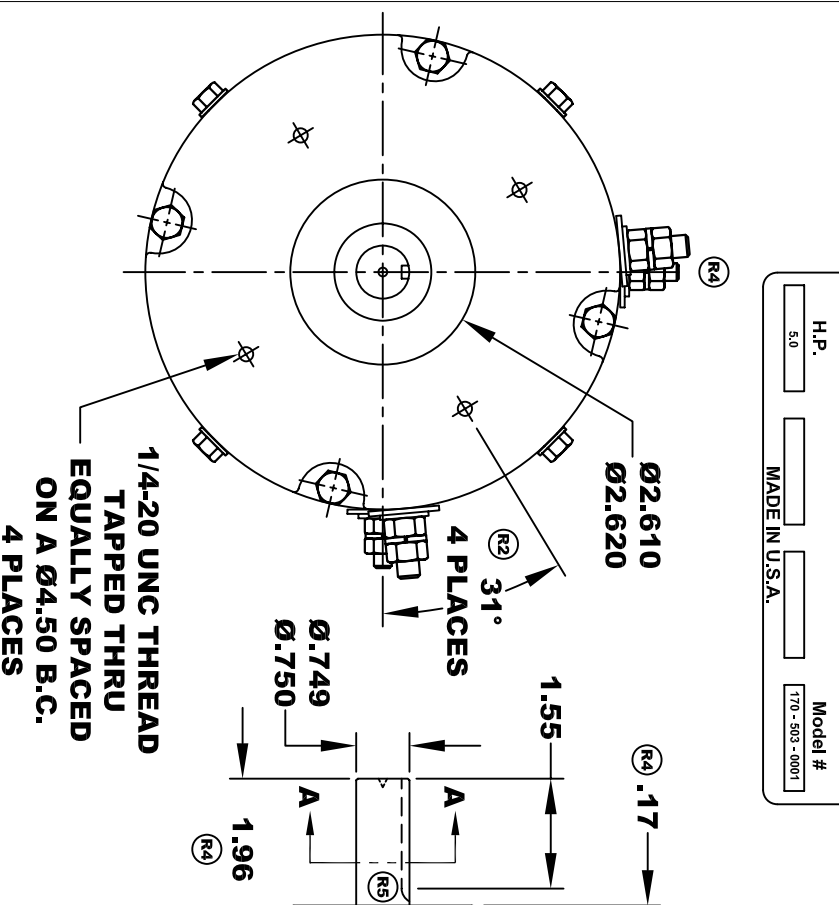
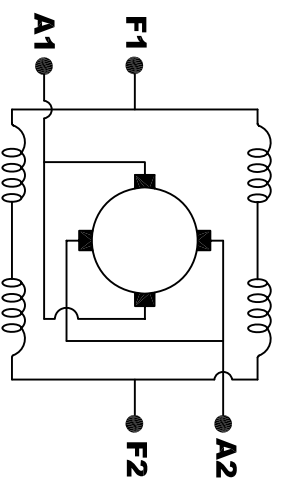


**TORQUE SPECIFICATION FOR  
POWER CABLE SECURING TOP NUTS**  
5/16-18 UNC (A1 / A2) - 110 IN / LBS MAX  
1/4-20 UNC (F1 / F2) - 50 IN / LBS MAX

<b>A2</b>	Johnson Industries, Inc. Pikeville, KY 41501 USA Tel 606-639-2029 Part No. MC280U			<b>A1</b>	
<b>F2</b>	Mfg. Date	Serial #	Rating	Class H	Voltage
	H.P.				36
	5.0				170 - 503 - 0001
					MADE IN U.S.A.



**10 TOOTH  
INTERNAL SPLINE  
HARDNESS OF SPLINE  
TO BE R/C 46 - 53 (.02 DEPTH MIN)**

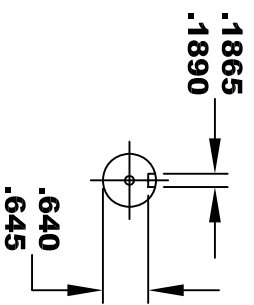


**ELECTRICAL WIRING DIAGRAM**

**MOTOR WIRING CONNECTIONS:**  
**CW ROTATION DRIVE END**  
CONNECT A1 & F1 TO ONE BATTERY TERMINAL  
CONNECT A2 & F2 TO OTHER BATTERY TERMINAL  
**CCW ROTATION DRIVE END**  
SWITCH F1 & F2 CONNECTIONS

**MOTOR WEIGHT: 57 LBS**  
**CLASS "H" INSULATION**  
**PERFORMANCE SPEC: 8**

**SECTION A-A**



THIS PRINT IS THE PROPERTY OF D&D MOTOR SYSTEMS INC.  
DO NOT SCALE  
WORK TO DIMENSIONS  
TOLERANCES UNLESS OTHERWISE SPECIFIED ARE AS FOLLOWS  
.XX \_\_\_\_\_ .01  
.XXX \_\_\_\_\_ .005  
.XX ROUGH CASTING \_\_\_\_\_ .03  
HOLES \_\_\_\_\_ -.001 / +.006  
ANGLES \_\_\_\_\_ 0°30"

**D & D MOTOR SYSTEMS INC**  
**MOTOR OUTLINE**

SIZE	DRAWN DATE	RELEASE DATE	DWG NO. / PART NO.	REV
B	12-26-01	9-16-02	170 - 503 - 0001	R5
SCALE	STF	DRAWN BY	MJG	REV DATE
				3-27-06