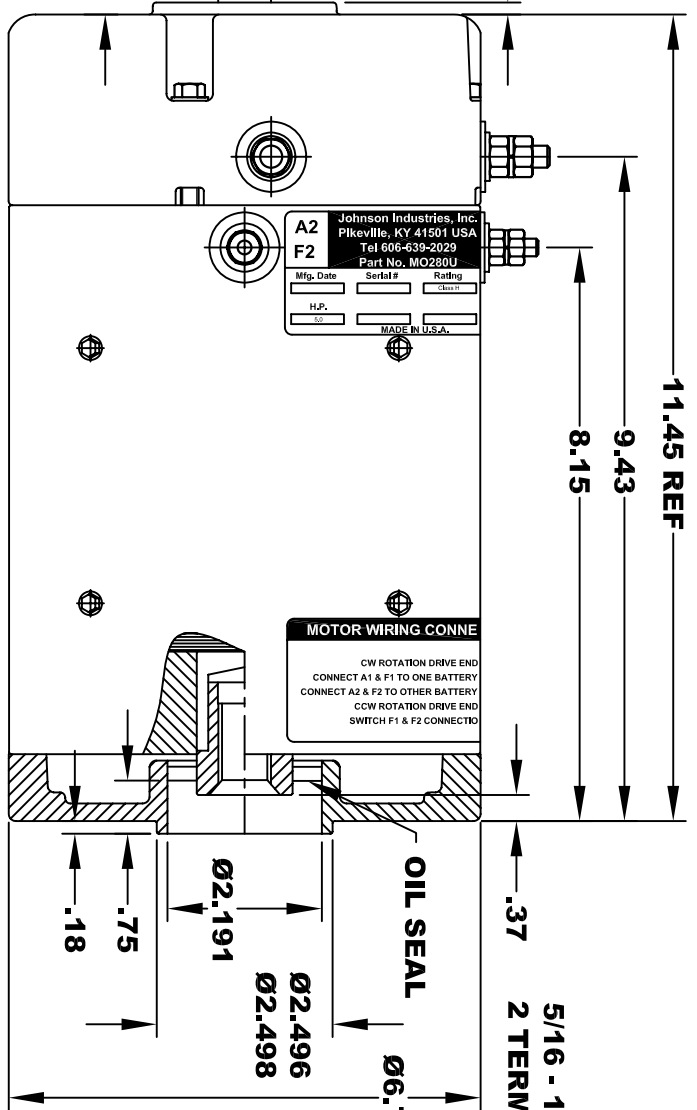
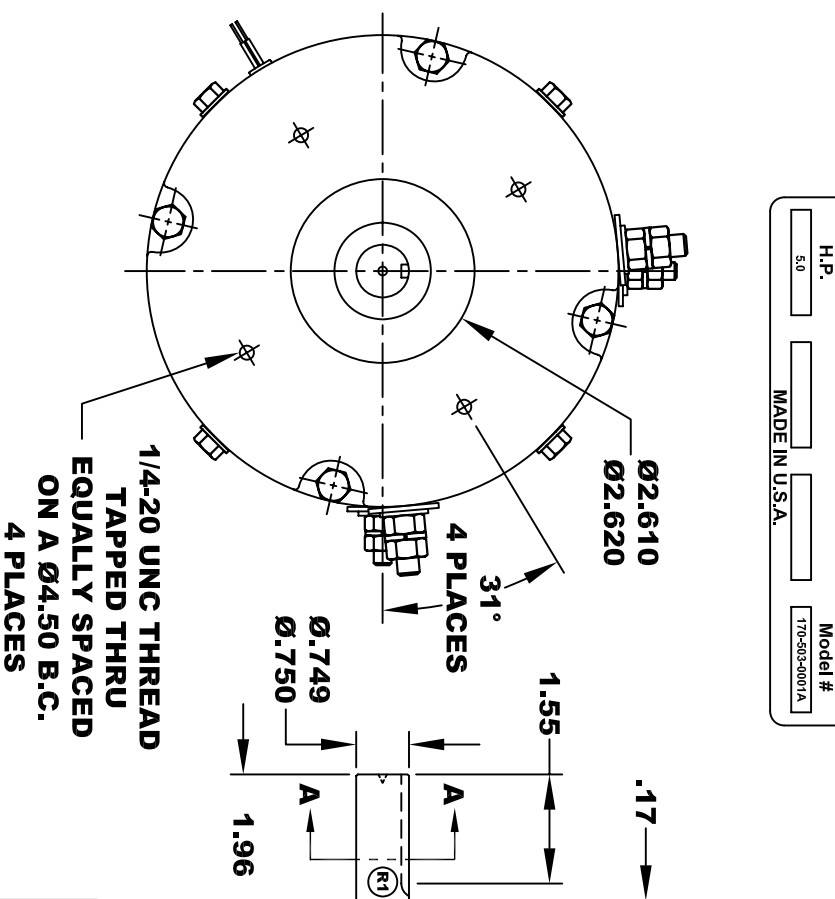
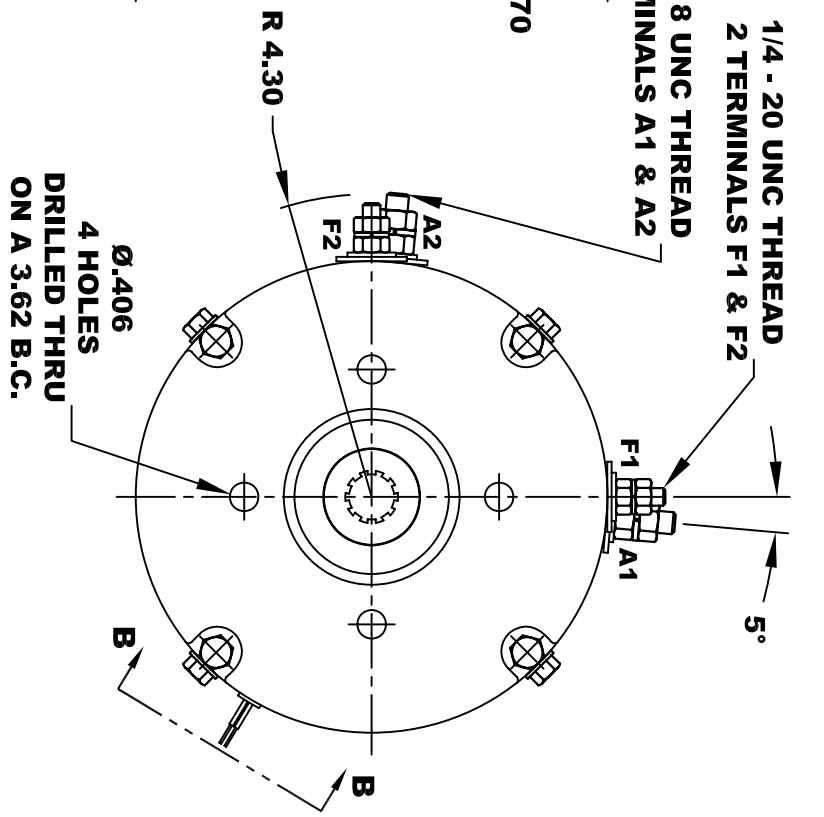


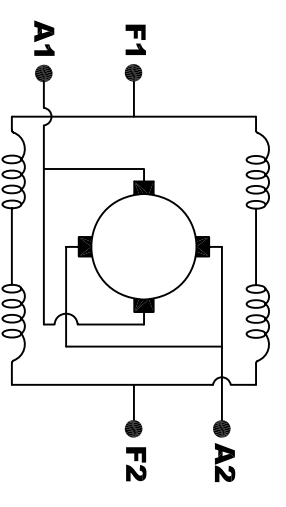
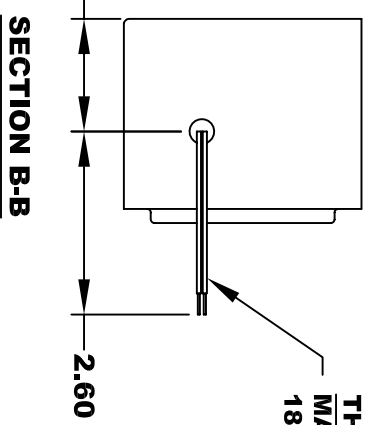
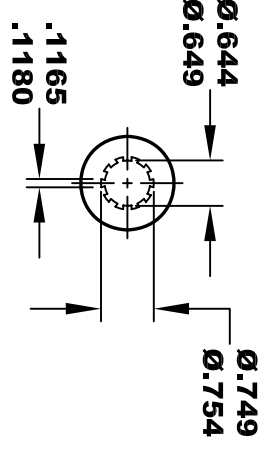
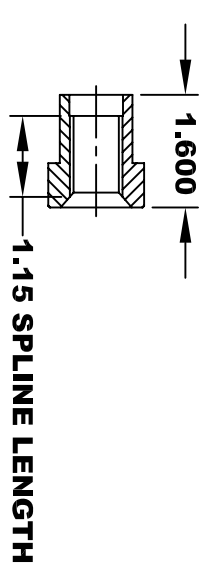
A2	Johnson Industries, Inc.			A1
F2	Pikeville, KY 41501 USA			F1
	Tel 606-639-2029			
	Part No. MO280U			
Mfg. Date	Serial #	Rating	Voltage	
H.P.	Class H		36 / 48	
50	MADE IN U.S.A.		Model #	
			170-503-0001A	



THERMAL PROTECTOR ELECTRICAL SPECIFICATION:
 MAX. DC OPERATING VOLTAGE: 60 VOLTS
 180° C NORMALLY CLOSED SWITCH



**TORQUE SPECIFICATION FOR
 POWER CABLE SECURING TOP NUTS**
 5/16-18 UNC (A1 / A2) - 110 IN / LBS MAX
 1/4-20 UNC (F1 / F2) - 50 IN / LBS MAX



ELECTRICAL WIRING DIAGRAM

MOTOR WIRING CONNECTIONS:
CW ROTATION DRIVE END
 CONNECT A1 & F1 TO ONE BATTERY TERMINAL
 CONNECT A2 & F2 TO OTHER BATTERY TERMINAL
CCW ROTATION DRIVE END
 SWITCH F1 & F2 CONNECTIONS

**10 TOOTH
 INTERNAL SPLINE
 HARDNESS OF SPLINE
 TO BE R/C 46 - 53 (.02 DEPTH MIN)**

**SECTION A-A
 MOTOR WEIGHT: 57 LBS
 CLASS "H" INSULATION
 PERFORMANCE SPEC: 8**

THIS PRINT IS THE PROPERTY OF D&D MOTOR SYSTEMS INC.
 DO NOT SCALE
 WORK TO DIMENSIONS
 TOLERANCES UNLESS OTHERWISE SPECIFIED ARE AS FOLLOWS
 .XX _____ .01
 .XXX _____ .005
 .XX ROUGH CASTING _____ .03
 HOLES _____ -.001 / +.006
 ANGLES _____ 0°30"

D & D MOTOR SYSTEMS INC			
MOTOR OUTLINE			
SIZE	DRAWN DATE	RELEASE DATE	DWG NO. / PART NO.
B	11-5-05	2-15-06	170-503-0001A
SCALE	STF	DRAWN BY	REV DATE
		MJG	ES-11-8 3-27-06
			REV
			R1