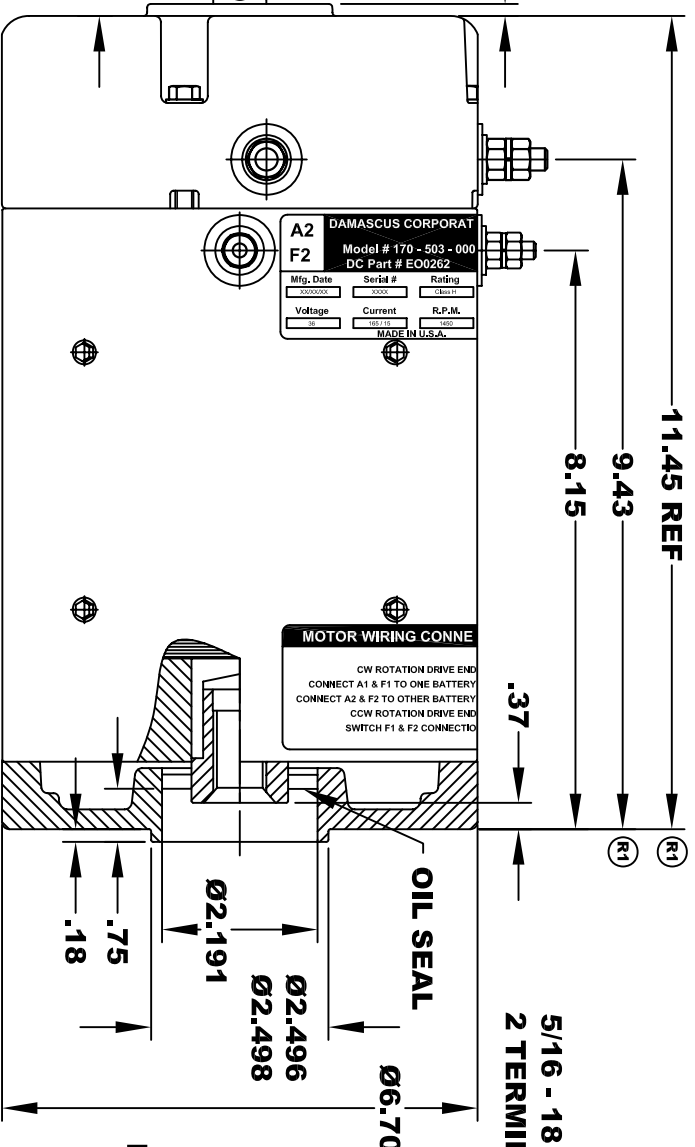
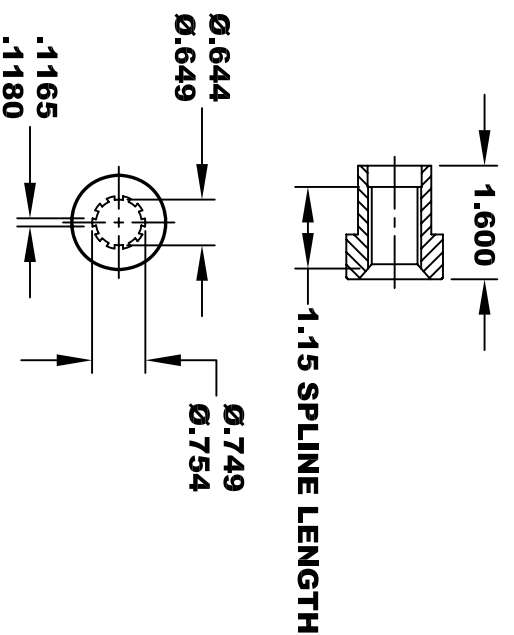
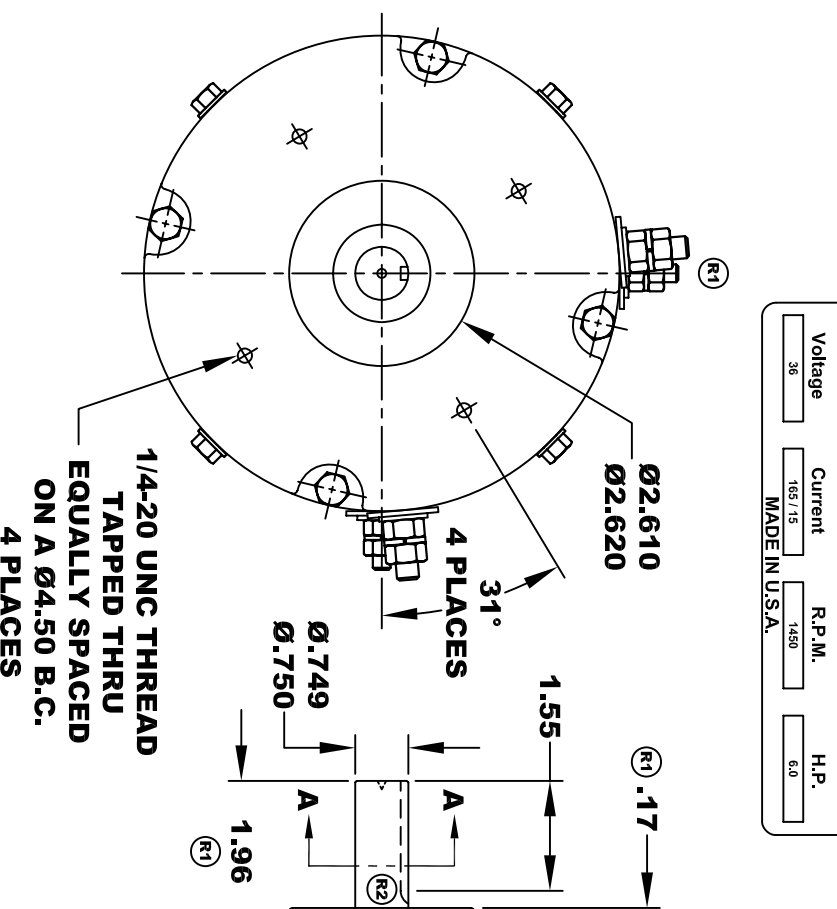


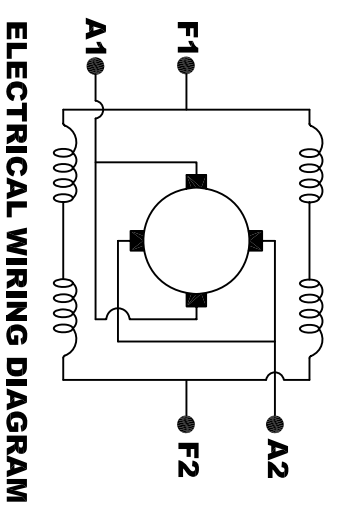
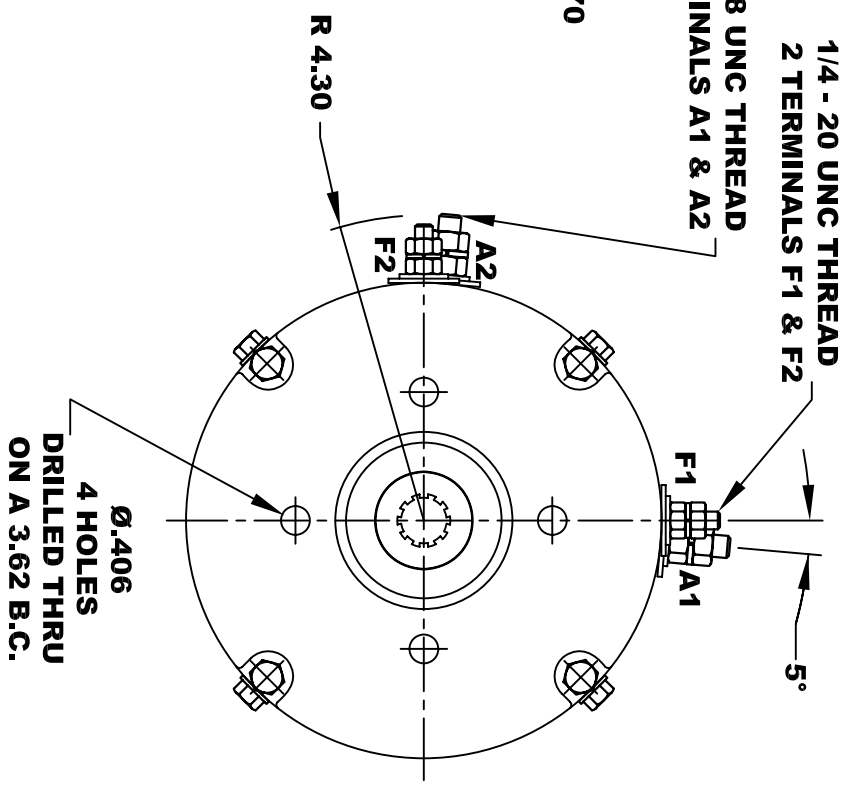
A2		DAMASCUS CORPORATION		A1	
F2	Model# 170 - 503 - 0002	DC Part# EO262		F1	
Mfg. Date	Serial #	Rating	Duty		
XXXXXX	XXXX	CLASS -H	S2-10 MIN		
Voltage	Current	R.P.M.	H.P.		
36	185 / 15	1480	6.0		
MADE IN U.S.A.					



A2		DAMASCUS CORPORAT		A1	
F2	Model # 170 - 503 - 000	DC Part # EO0262		F1	
Mfg. Date	Serial #	Rating	Duty		
XXXXXX	XXXX	CLASS -H	S2-10 MIN		
Voltage	Current	R.P.M.	H.P.		
36	185 / 15	1480	6.0		
MADE IN U.S.A.					

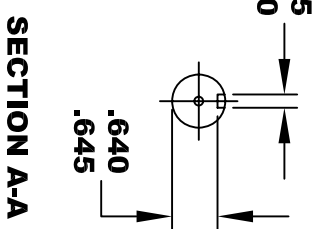
MOTOR WIRING CONNE
 CW ROTATION DRIVE END
 CONNECT A1 & F1 TO ONE BATTERY
 CONNECT A2 & F2 TO OTHER BATTERY
 CCW ROTATION DRIVE END
 SWITCH F1 & F2 CONNECTO

TORQUE SPECIFICATION FOR POWER CABLE SECURING TOP NUTS
 5/16-18 UNC (A1 / A2) - 110 IN / LBS MAX
 1/4-20 UNC (F1 / F2) - 50 IN / LBS MAX



MOTOR WIRING CONNECTIONS:
CW ROTATION DRIVE END
 CONNECT A1 & F1 TO ONE BATTERY TERMINAL
 CONNECT A2 & F2 TO OTHER BATTERY TERMINAL
CCW ROTATION DRIVE END
 SWITCH F1 & F2 CONNECTIONS

MOTOR WEIGHT: 57 LBS
CLASS "H" INSULATION
PERFORMANCE SPEC: 8



THIS PRINT IS THE PROPERTY OF D&D MOTOR SYSTEMS INC.
 DO NOT SCALE
 WORK TO DIMENSIONS
 TOLERANCES UNLESS OTHERWISE SPECIFIED ARE AS FOLLOWS

.XXX	.005
.XX	.01
.XX ROUGH CASTING	.03
HOLES	-.001 / +.006
ANGLES	0°30"

D & D MOTOR SYSTEMS INC
MOTOR OUTLINE

SIZE	DRAWN DATE	RELEASE DATE	DWG NO. / PART NO.	REV
B	8-5-03	11-12-03	170 - 503 - 0002	R2
SCALE	STF	DRAWN BY	MJG	ES-11C
				REV DATE
				3-27-06