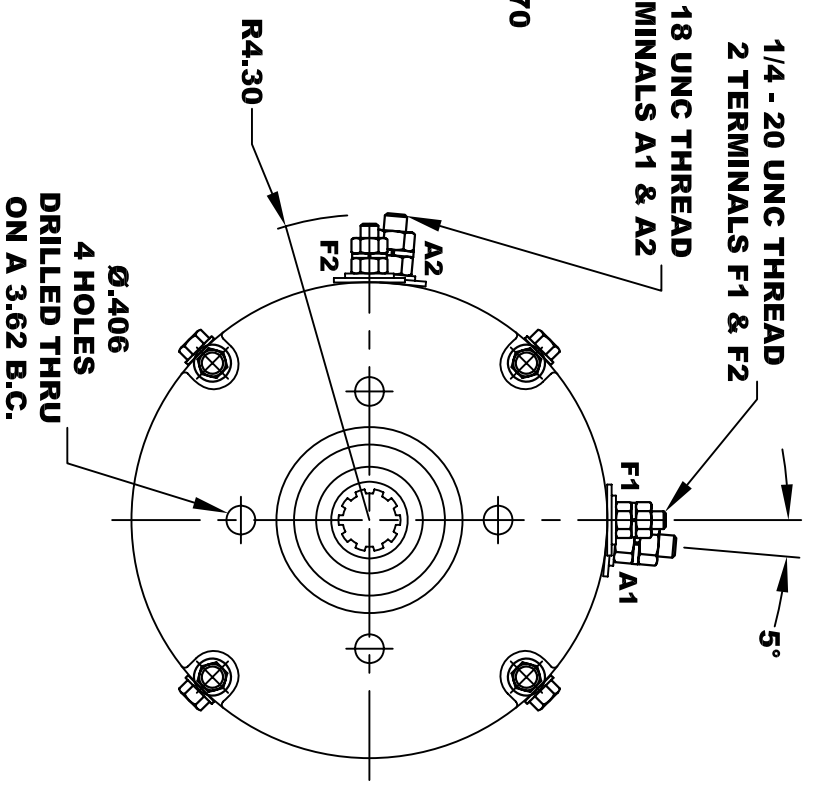
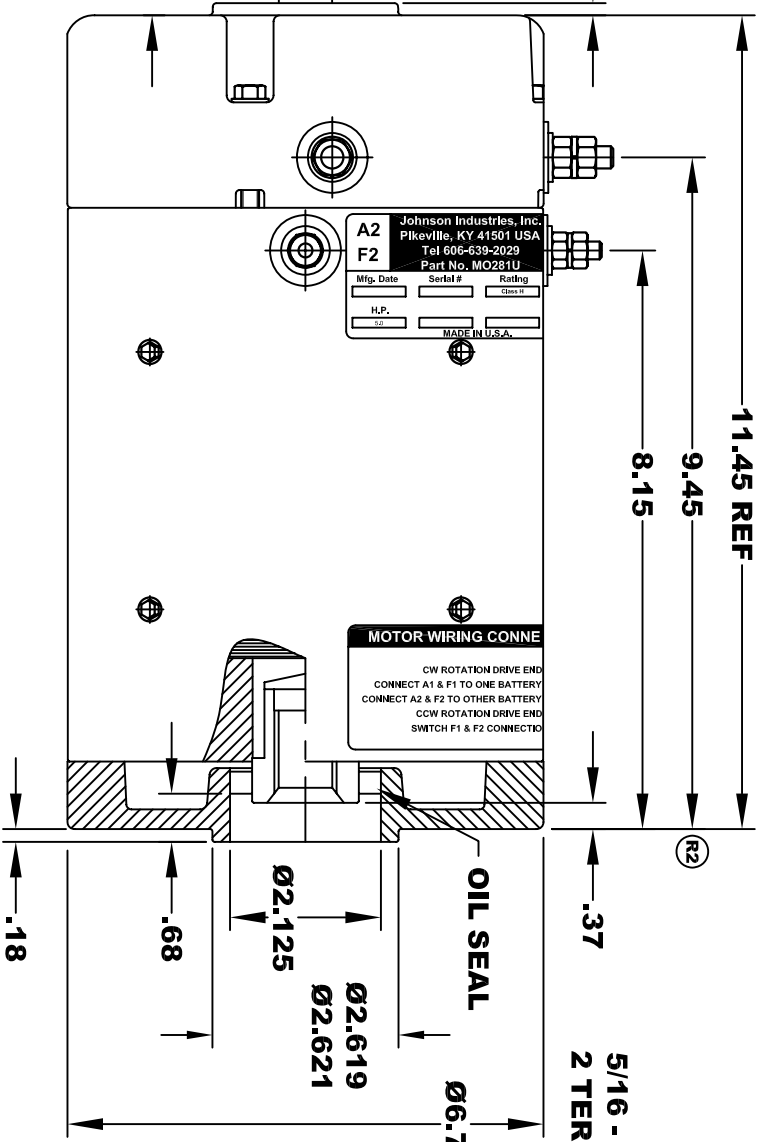
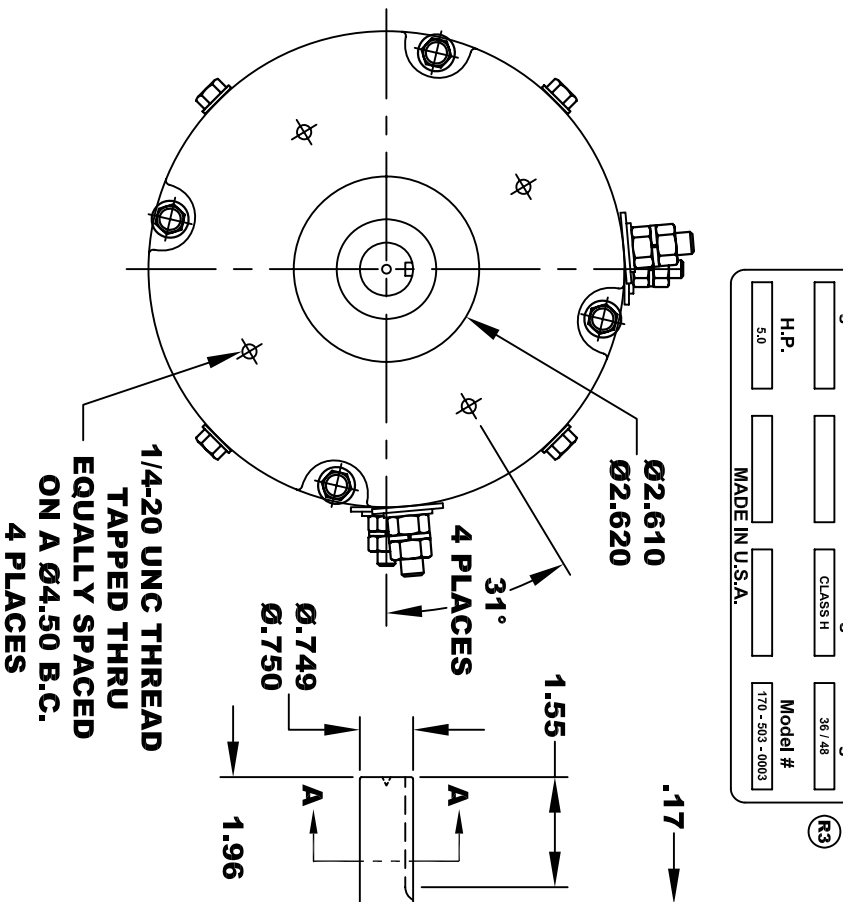
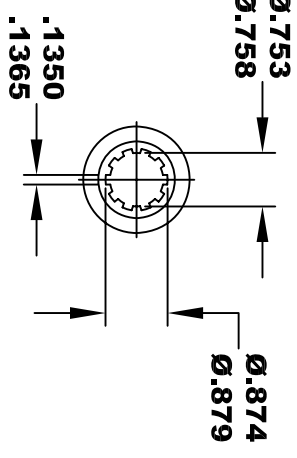
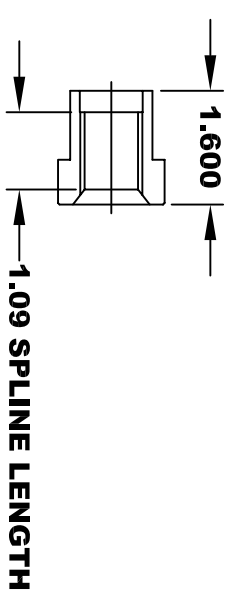


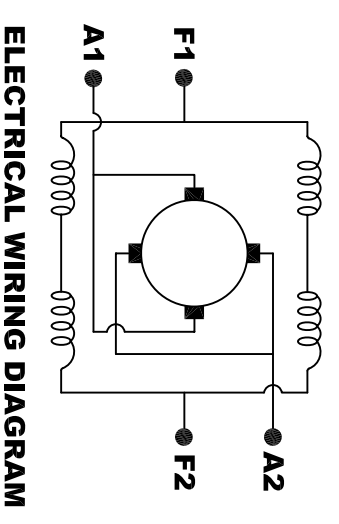
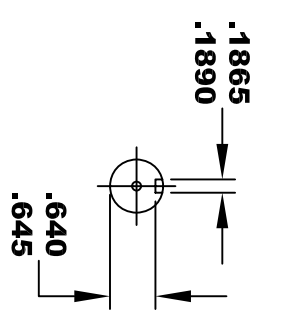
<b>A2</b>				<b>A1</b>			
Johnson Industries, Inc. Pikeville, KY 41501 USA Tel 606-639-2029 Part No. MO281U				F1			
Mfg. Date	Serial #	Rating	CLASS H	Voltage	30 / 48	Model #	170-503-0003
H.P.	5.0	MADE IN U.S.A.					



**TORQUE SPECIFICATION FOR  
POWER CABLE SECURING TOP NUTS**  
5/16-18 UNC (A1 / A2) - 110 IN / LBS MAX  
1/4-20 UNC (F1 / F2) - 50 IN / LBS MAX



**10 TOOTH  
INTERNAL SPLINE  
HARDNESS OF SPLINE  
TO BE R/C 46 - 53 (.02 DEPTH MIN)**



**MOTOR WIRING CONNECTIONS:**  
**CW ROTATION DRIVE END**  
CONNECT A1 & F1 TO ONE BATTERY TERMINAL  
CONNECT A2 & F2 TO OTHER BATTERY TERMINAL  
**CCW ROTATION DRIVE END**  
SWITCH F1 & F2 CONNECTIONS

**MOTOR WEIGHT: 61 LBS**  
**CLASS "H" INSULATION**  
**PERFORMANCE SPEC: 8**

**D & D MOTOR SYSTEMS INC**

**MOTOR OUTLINE**

THIS PRINT IS THE PROPERTY OF D&D MOTOR SYSTEMS INC.  
DO NOT SCALE  
WORK TO DIMENSIONS  
TOLERANCES UNLESS OTHERWISE SPECIFIED ARE AS FOLLOWS  
.XX \_\_\_\_\_ .01  
.XXX \_\_\_\_\_ .005  
.XX ROUGH CASTING \_\_\_\_\_ .03  
HOLES \_\_\_\_\_ -.001 / +.006  
ANGLES \_\_\_\_\_ 0°30"

SIZE	DRAWN DATE	RELEASE DATE	DWG NO. / PART NO.	REV
B	2-1-07	2-4-08	170-503-0003	R3
SCALE	STF	DRAWN BY	MJG	ES-11D-8
				REV DATE
				8-29-13