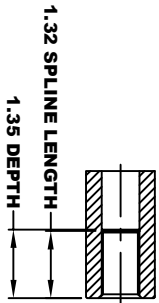
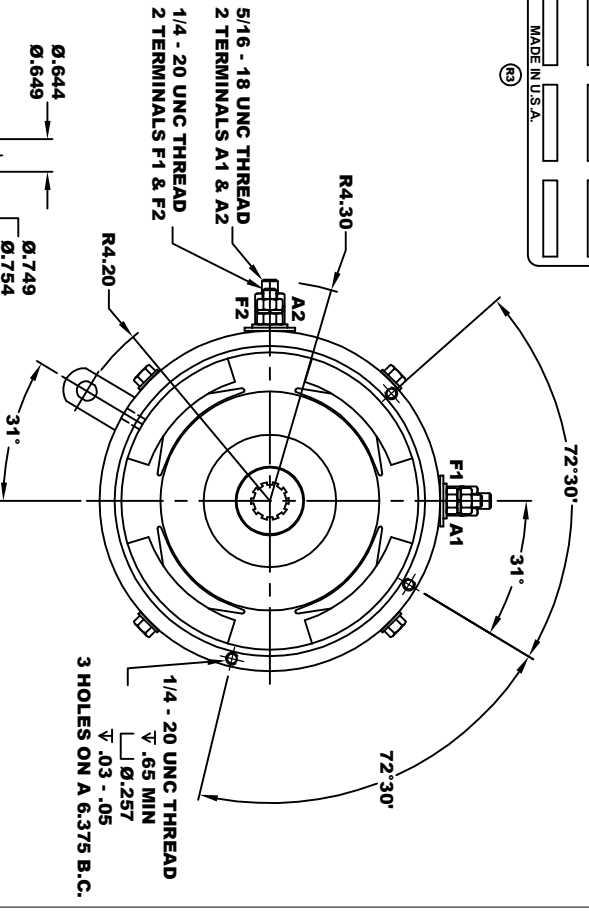
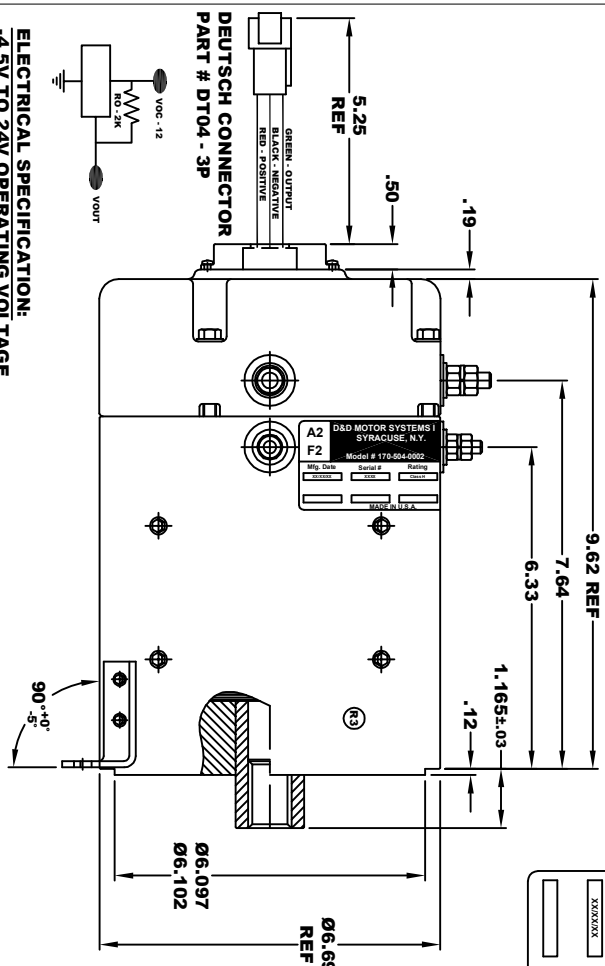


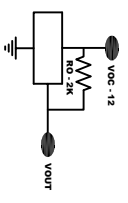
| | | | |
|-----------------------------------|----------|----------|---------|
| D&D MOTOR SYSTEMS INC. | | | |
| SYRACUSE N.Y. | | | |
| Model # 170-504-0002 | | | |
| Mfg. Date | Serial # | Rating | Voltage |
| XXXXXX | XXXX | CLASS II | XX |
| MADE IN U.S.A. | | | |

**TORQUE SPECIFICATION FOR
POWER CABLE SECURING TOP NUTS**
5/16-18 UNC (A1 / A2) - 110 IN / LBS MAX
1/4-20 UNC (F1 / F2) - 50 IN / LBS MAX

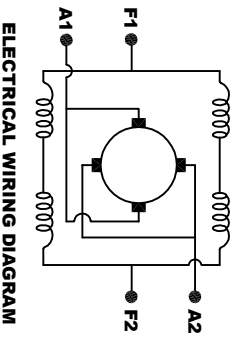


MOTOR WEIGHT 53 LBS
CLASS "H" INSULATION
PERFORMANCE SPEC: 38

**DEUTSCH CONNECTOR
PART # DT04 - 3P**



ELECTRICAL SPECIFICATION:
-4.5V TO 24V OPERATING VOLTAGE
-20° C TO 85° C OPERATING TEMPERATURE
-CURRENT SINKING UP TO 25mA
-AN EXTERNAL OUTPUT PULL UP RESISTOR IS REQUIRED
-SENSOR IS DESIGNED TO OPERATE WITH 2 N/S POLEPAIRS (R2)
-THE OPERATIONAL DISTANCE BETWEEN THE MAGNET AND THE HOUSING, INCLUDING ANY RUNOUT SHOULD NOT EXCEED .030 INCHES



MOTOR WIRING CONNECTIONS:
CW ROTATION DRIVE END
CONNECT A1 & F1 TO ONE BATTERY TERMINAL
CCW ROTATION DRIVE END
CONNECT A2 & F2 TO OTHER BATTERY TERMINAL
SWITCH F1 & F2 CONNECTIONS

THIS PRINT IS THE PROPERTY OF D&D MOTOR SYSTEMS INC.
DO NOT SCALE
WORK TO DIMENSIONS
TOLERANCES UNLESS OTHERWISE SPECIFIED ARE AS FOLLOWS
XX .01
XXX .005
XX X ROUGH CASTING .03
HOLES .001 / +.006
ANGLES .030°

| | | | |
|------------------------------------|------------|--------------|--------------------|
| D & D MOTOR SYSTEMS INC | | | |
| MOTOR OUTLINE | | | |
| SIZE | DRAWN DATE | RELEASE DATE | DWG NO. / PART NO. |
| B | 7-3-03 | 2-24-23 | 170-504-0002 |
| SCALE | STF | DRAWN BY | REV |
| | | MJG | ES-65A-38 |
| | | | REV DATE |
| | | | 3-8-13 |