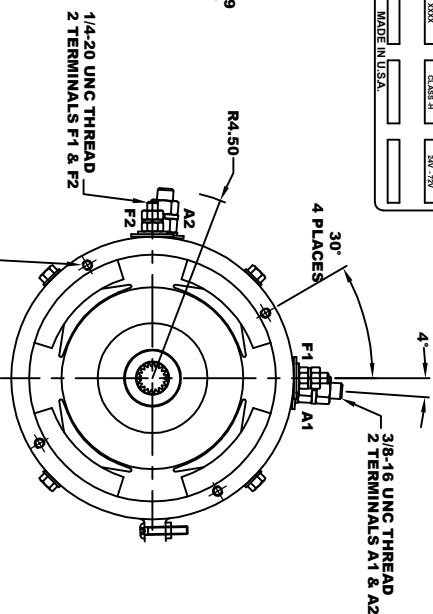


D&D MOTOR SYSTEMS INC.		A1
SYRACUSE N.Y.		F1
Model # 170-513-0003		
Min. Dimp	Serial #	Rating
XXXXXX	XXXX	20V-27V
MADE IN U.S.A.		

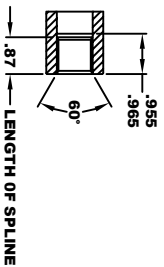
TORQUE SPECIFICATION FOR POWER CABLE SECURING TOP NUTS
 3/8-16 UNC (A1 / A2) - 140 IN / LBS MAX
 1/4-20 UNC (F1 / F2) - 50 IN / LBS MAX



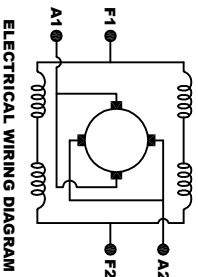
SPEED SENSOR ELECTRICAL SPECIFICATION:
 - 4.5V TO 24V OPERATING VOLTAGE
 - 20°C TO 85°C OPERATING TEMPERATURE
 - CURRENT SINKING UP TO 25mA
 - AN EXTERNAL OUTPUT PULL UP RESISTOR IS REQUIRED
 - SENSOR IS DESIGNED TO OPERATE WITH 4 N/S POLEPAIRS
 - THE OPERATIONAL DISTANCE BETWEEN THE MAGNET AND THE HOUSING, INCLUDING ANY RUNOUT SHOULD NOT EXCEED .030 INCHES

INTERNAL INVOLUTE SPLINE SPECIFICATION
 CLASS 5 FILLET ROOT SIDE FIT (PER A.N.S.I. B92.1)

NO. OF TEETH	19
SPLINE PITCH	24 / 48
PRESSURE ANGLE	45°
BASE Ø	.5597 REF
PITCH Ø	.7916 REF
MAJOR Ø	.850 - .859
FORM Ø	.835
MINOR Ø	.767 - .772
CIRCULAR SPACE WIDTH	.0764
EFFECTIVE SPACE WIDTH	.0738
MAX. DIMENSION BETWEEN TWO PINS	.6714
PIN Ø	.0800
SPLINE HARDNESS TO BE RIC 26-34	



MOTOR WEIGHT 62 LBS
 CLASS "H" INSULATION
 PERFORMANCE SPEC. 50



MOTOR WIRING CONNECTIONS:
 CW ROTATION DRIVE END
 CONNECT A1 & F1 TO ONE BATTERY TERMINAL
 CONNECT A2 & F2 TO OTHER BATTERY TERMINAL
 CCW ROTATION DRIVE END
 SWITCH F1 & F2 CONNECTIONS

D & D MOTOR SYSTEMS INC

MOTOR OUTLINE

THIS PRINT IS THE PROPERTY OF D&D MOTOR SYSTEMS INC.
 DO NOT SCALE
 WORK TO DIMENSIONS
 TOLERANCES UNLESS OTHERWISE SPECIFIED ARE AS FOLLOWS
 .XX— .01
 .XXX— .005
 .XX ROUGH CASTING .03
 HOLES .001 / +.006
 ANGLES 0-30°

SIZE	DRAWN DATE	RELEASE DATE	DWG NO. / PART NO.	REV
B	3-7-13	11-06-23	170-513-0003	
SCALE	STF	DRAWN BY	MJG	REV DATE