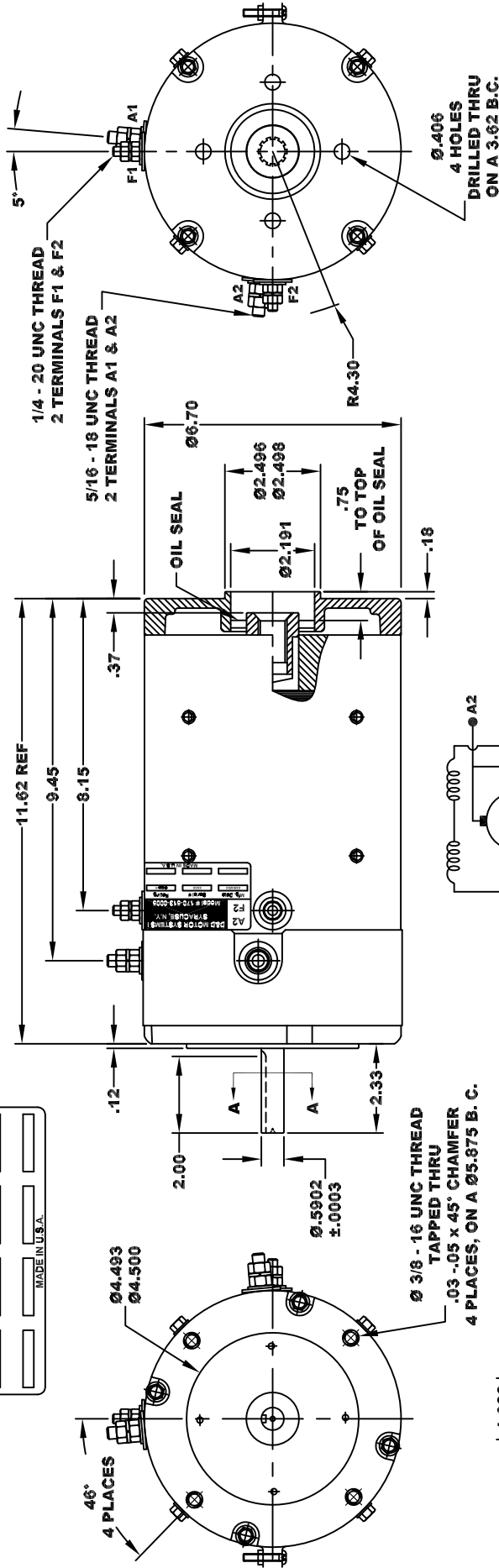
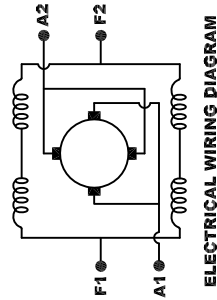


D&D MOTOR SYSTEMS INC. SYRACUSE N.Y.		A1	F1
A2	F2	Voltage	
Mfg. Date	Serial #	Rating	
XXXXXX	XXXX	33/10	
Model # 170-513-0005		Rating	
MADE IN U.S.A.		Rating	

TORQUE SPECIFICATION FOR
POWER CABLE SECURING TOP NUTS
5/16-18 UNC (A1 / A2) - 110 IN / LBS MAX
1/4-20 UNC (F1 / F2) - 50 IN / LBS MAX



MOTOR WIRING CONNECTIONS:
CW ROTATION DRIVE END
CONNECT A1 & F1 TO ONE BATTERY TERMINAL
CCW ROTATION DRIVE END
CONNECT A2 & F2 TO OTHER BATTERY TERMINAL
SWITCH F1 & F2 CONNECTIONS



MOTOR WEIGHT: 61 LBS
CLASS "H" INSULATION
PERFORMANCE SPEC: 50

THIS PRINT IS THE PROPERTY OF D&D MOTOR SYSTEMS INC.

DO NOT SCALE

WORK TO DIMENSIONS

TOLERANCES UNLESS OTHERWISE SPECIFIED ARE AS FOLLOWS

.XX _____ .01

.XXX _____ .005

.XX ROUGH CASTING _____ .03

HOLES _____ .001 / +.006

ANGLES _____ 0°30'

D & D MOTOR SYSTEMS INC

MOTOR OUTLINE

SIZE	DRAWN DATE	RELEASE DATE	DWG NO. / PART NO.	REV
B	7-21-17	8-20-24	170-513-0005	
SCALE	DRAWN BY	M/JG	ES-11G-50	REV DATE

SECTION A-A

10 TOOTH
INTERNAL SPLINE
HARDNESS OF SPLINE
TO BE R/C 46 - 53 (.02 DEPTH MIN)