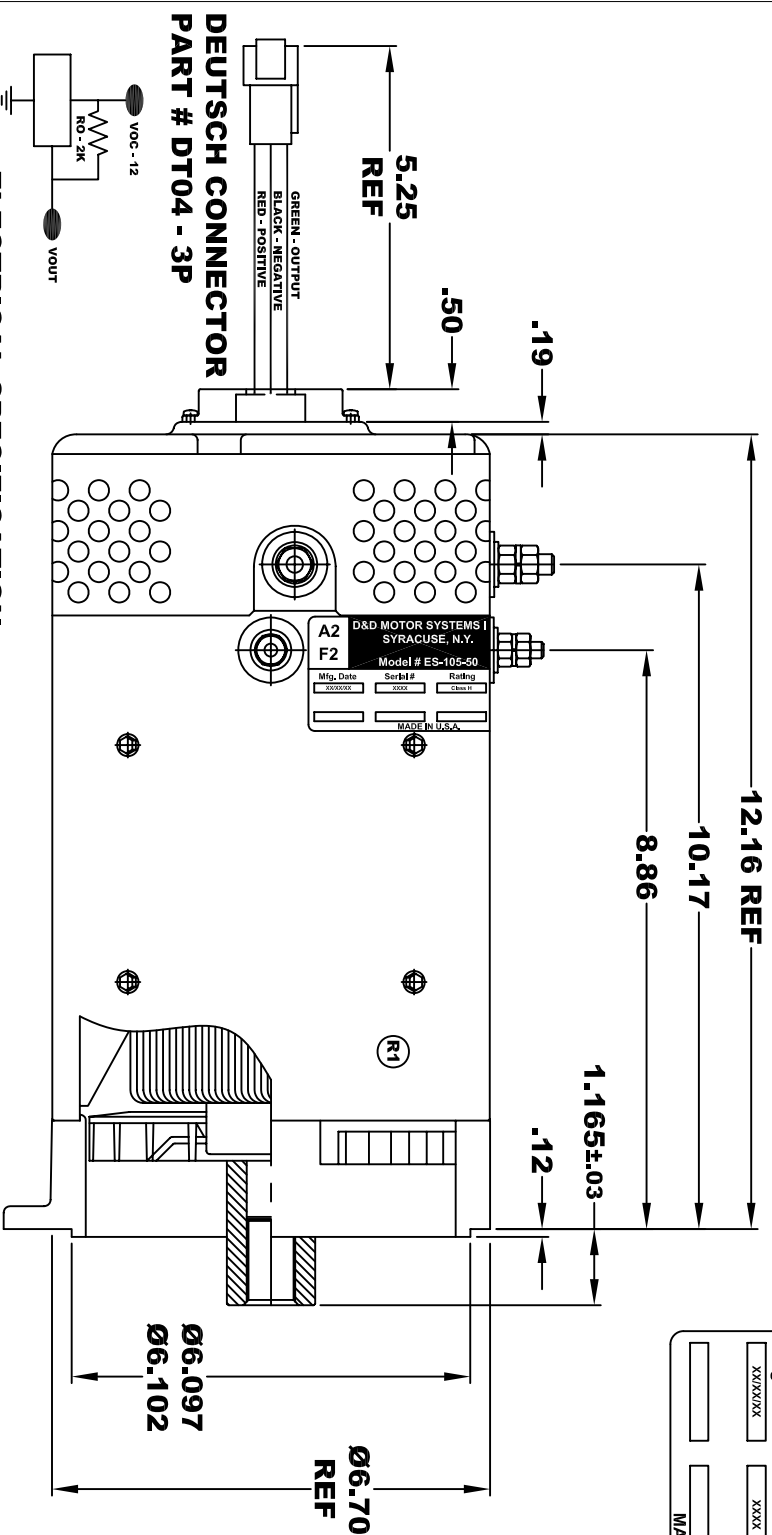
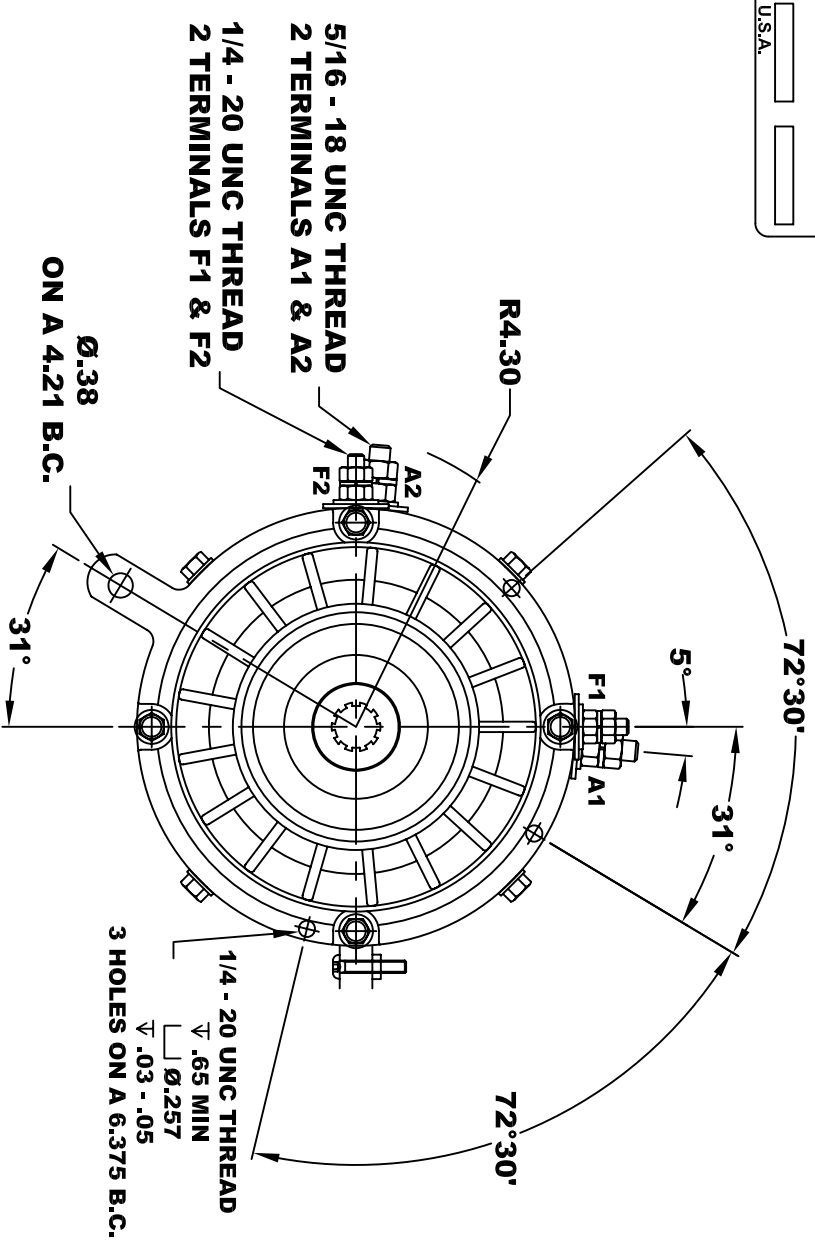


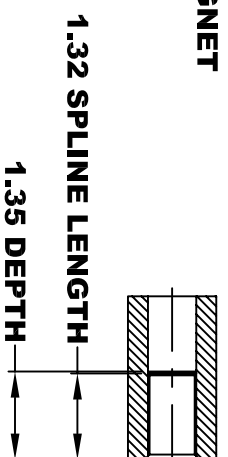
D&D MOTOR SYSTEMS INC.			
SYRACUSE N.Y.			
A2	F2	A1	F1
Model # ES-105-50			
Mfg. Date	Serial #	Rating	Voltage
XXXXXX	XXXX	CLASS H	XX
MADE IN U.S.A.			



**TORQUE SPECIFICATION FOR
POWER CABLE SECURING TOP NUTS**
5/16-18 UNC (A1 / A2) - 110 IN / LBS MAX
1/4-20 UNC (F1 / F2) - 50 IN / LBS MAX

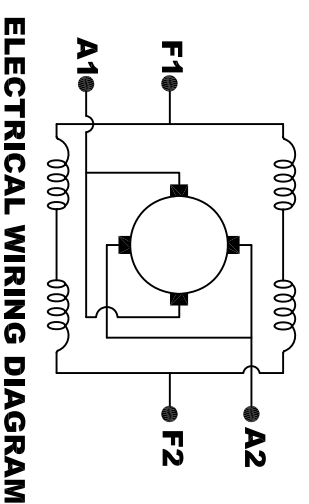


- ELECTRICAL SPECIFICATION:**
- 4.5V TO 24V OPERATING VOLTAGE
 - 20°C TO 85°C OPERATING TEMPERATURE
 - CURRENT SINKING UP TO 25mA
 - AN EXTERNAL OUTPUT PULL UP RESISTOR IS REQUIRED
 - SENSOR IS DESIGNED TO OPERATE WITH 4 N/S POLEPAIRS
 - THE OPERATIONAL DISTANCE BETWEEN THE MAGNET AND THE HOUSING, INCLUDING ANY RUNOUT SHOULD NOT EXCEED .030 INCHES



**10 TOOTH
INTERNAL SPLINE**

**MOTOR WEIGHT: XX LBS
CLASS "H" INSULATION
PERFORMANCE SPEC: 50**



MOTOR WIRING CONNECTIONS
CW ROTATION DRIVE END
CONNECT A1 & F1 TO ONE BATTERY TERMINAL
CONNECT A2 & F2 TO OTHER BATTERY TERMINAL
CCW ROTATION DRIVE END
SWITCH F1 & F2 CONNECTIONS

THIS PRINT IS THE PROPERTY OF D&D MOTOR SYSTEMS INC.
DO NOT SCALE
WORK TO DIMENSIONS
TOLERANCES UNLESS OTHERWISE SPECIFIED ARE AS FOLLOWS

.XX _____ .01
.XXX _____ .005
.XX ROUGH CASTING _____ .03
HOLES _____ -.001 / +.006
ANGLES _____ 0°30'

D & D MOTOR SYSTEMS INC			
MOTOR OUTLINE			
SIZE	DRAWN DATE	RELEASE DATE	DWG NO. / PART NO.
B	5-24-04		ES-105-50
SCALE	STF	DRAWN BY	MJG
			REV DATE
			5-24-13