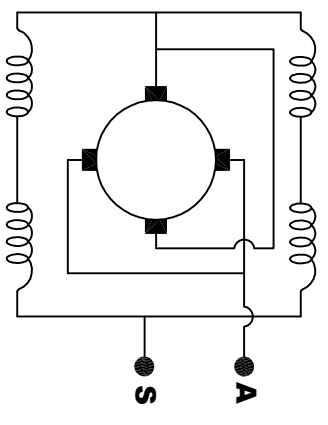
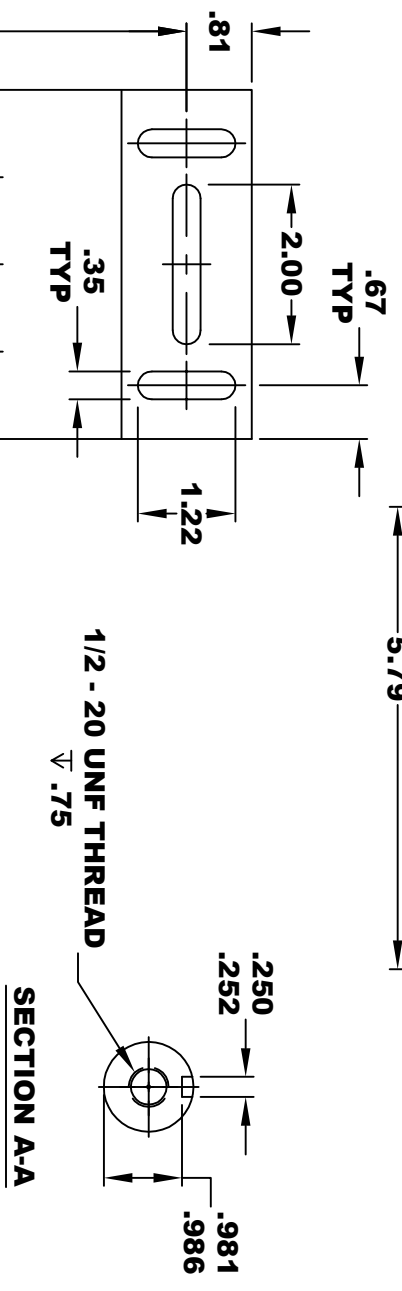
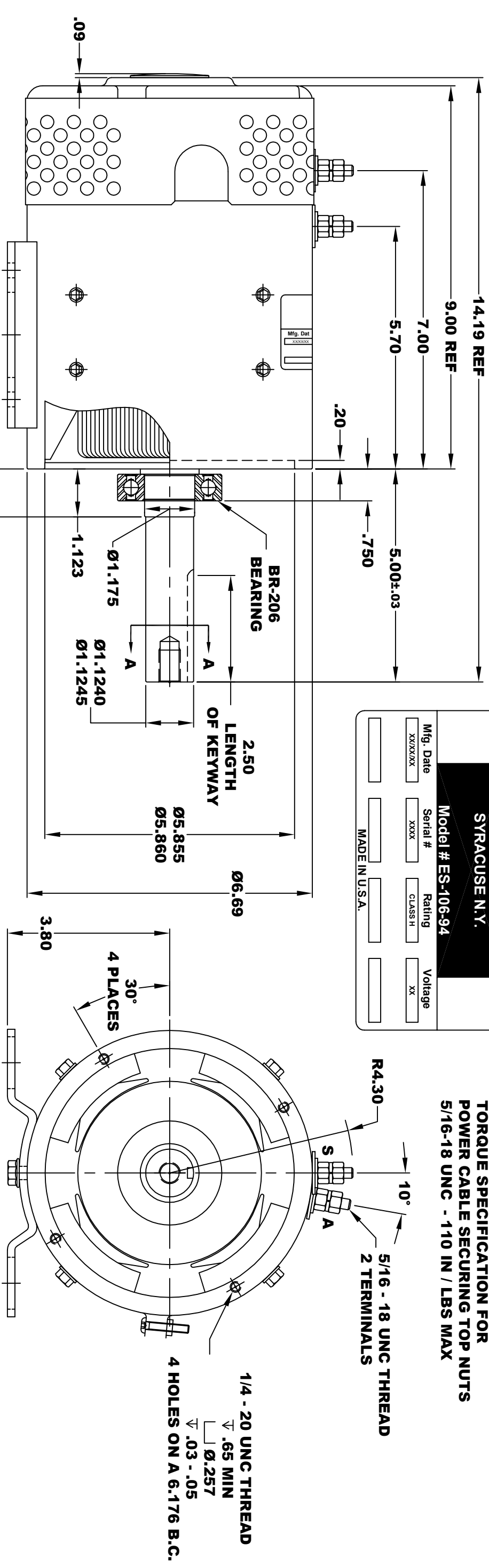


D&D MOTOR SYSTEMS INC.
SYRACUSE N.Y.

Model # **ES-106-94**

Mfg. Date	Serial #	Rating	Voltage
XXXXXX	XXXX	CLASS H	XX
MADE IN U.S.A.			

**TORQUE SPECIFICATION FOR
 POWER CABLE SECURING TOP NUTS**
5/16-18 UNC - 110 IN / LBS MAX



ELECTRICAL WIRING DIAGRAM

MOTOR WIRING CONNECTIONS:
CGW ROTATION DRIVE END
CONNECT ONE POWER CABLE TO TERMINAL A
CONNECT THE OTHER POWER CABLE TO TERMINAL S

MOTOR WEIGHT: 49 LBS
CLASS "H" INSULATION
PERFORMANCE SPEC: 94 (R1)

THIS PRINT IS THE PROPERTY OF D&D MOTOR SYSTEMS INC.
 DO NOT SCALE
 WORK TO DIMENSIONS
 TOLERANCES UNLESS OTHERWISE SPECIFIED ARE AS FOLLOWS

XX	.01
.XXX	.005
.XX ROUGH CASTING	.03
HOLES	.001 / +.006
ANGLES	0.30"

D & D MOTOR SYSTEMS INC

MOTOR OUTLINE

SIZE	DRAWN DATE	RELEASE DATE	DWG NO. / PART NO.	REV
B	12-16-04		ES-106-94 (R1)	R1
SCALE	STF	DRAWN BY	MJG	REV DATE
				1-10-19