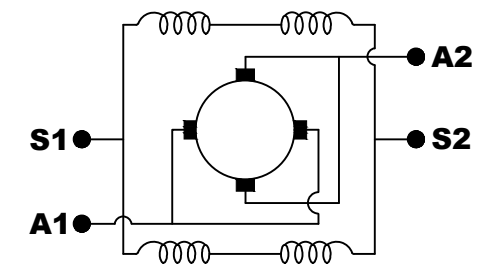
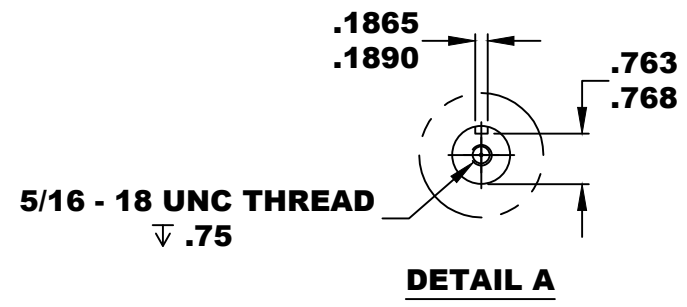
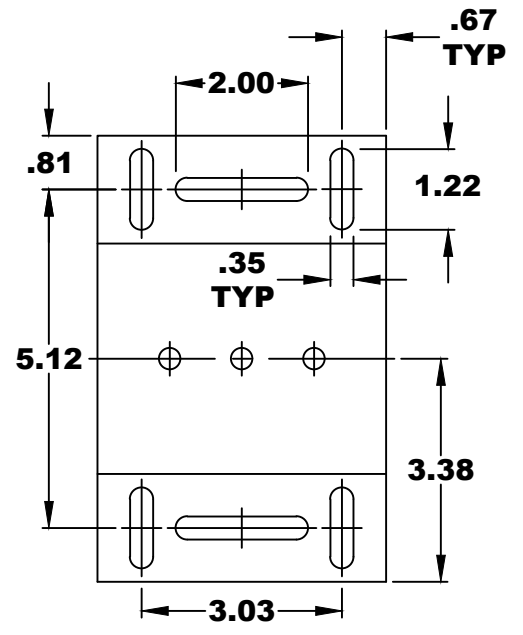
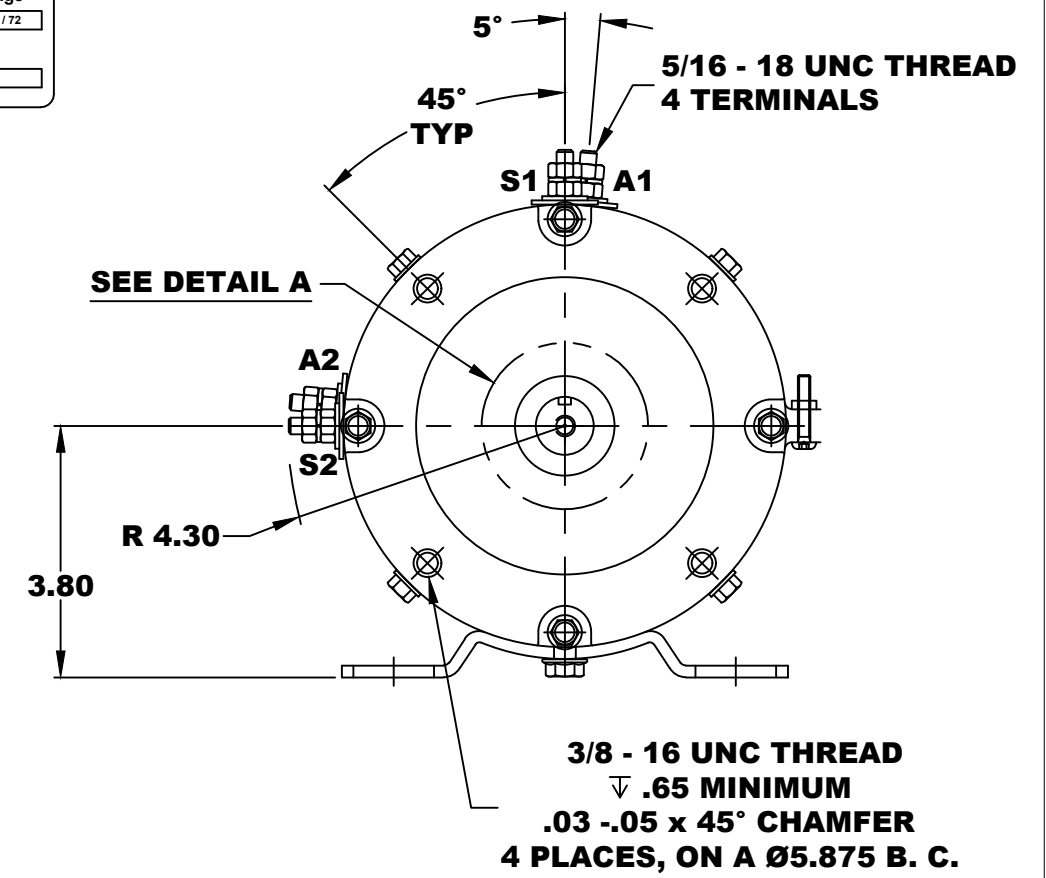
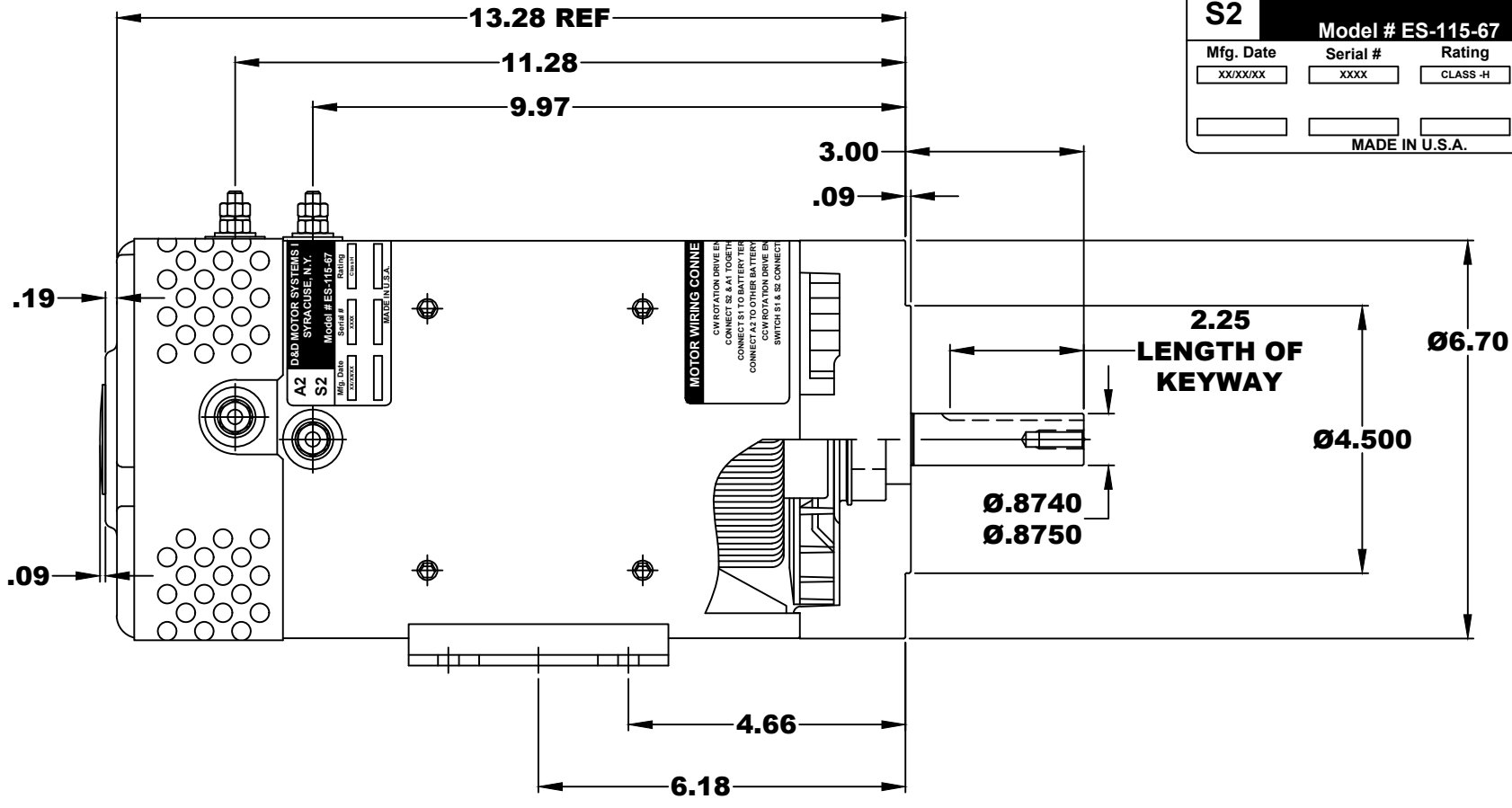


<b>A2</b>	<b>D&amp;D MOTOR SYSTEMS INC.</b>		<b>A1</b>
<b>S2</b>	<b>SYRACUSE N.Y.</b>		<b>S1</b>
<b>Model # ES-115-67</b>			
Mfg. Date	Serial #	Rating	Voltage
XX/XX/XX	XXXX	CLASS -H	36 / 48 / 72
MADE IN U.S.A.			

**TORQUE SPECIFICATION FOR  
POWER CABLE SECURING TOP NUTS  
5/16-18 UNC - 110 IN / LBS MAX**



**ELECTRICAL WIRING DIAGRAM**

**MOTOR WIRING CONNECTIONS:**  
**CW ROTATION DRIVE END**  
**CONNECT S2 & A1 TOGETHER**  
**CONNECT S1 TO BATTERY TERMINAL**  
**CCW ROTATION DRIVE END**  
**CONNECT A2 TO OTHER BATTERY TERMINAL**  
**SWITCH S1 & S2 CONNECTIONS**

**MOTOR WEIGHT: XX LBS**  
**CLASS "H" INSULATION**  
**PERFORMANCE SPEC: 67 / K-254**

**THIS PRINT IS THE PROPERTY OF D&D MOTOR SYSTEMS INC.**  
**DO NOT SCALE**  
**WORK TO DIMENSIONS**  
**TOLERANCES UNLESS OTHERWISE SPECIFIED ARE AS FOLLOWS**  
 .XX \_\_\_\_\_ .01  
 .XXX \_\_\_\_\_ .005  
 .XX ROUGH CASTING \_\_\_\_\_ .03  
 HOLES \_\_\_\_\_ -.001 / +.006  
 ANGLES \_\_\_\_\_ 0°30"

<b>D &amp; D MOTOR SYSTEMS INC</b>				
<b>MOTOR OUTLINE</b>				
SIZE	DRAWN DATE	RELEASE DATE	DWG NO. / PART NO.	REV
B	11-27-06		ES-115-67	
SCALE	DRAWN BY	REV DATE		
STF	MJG			