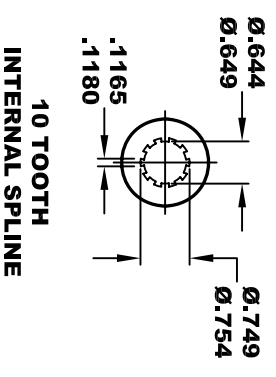
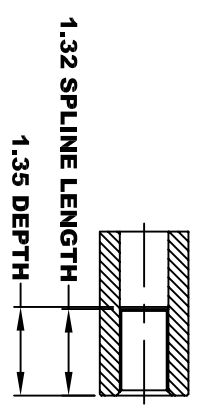
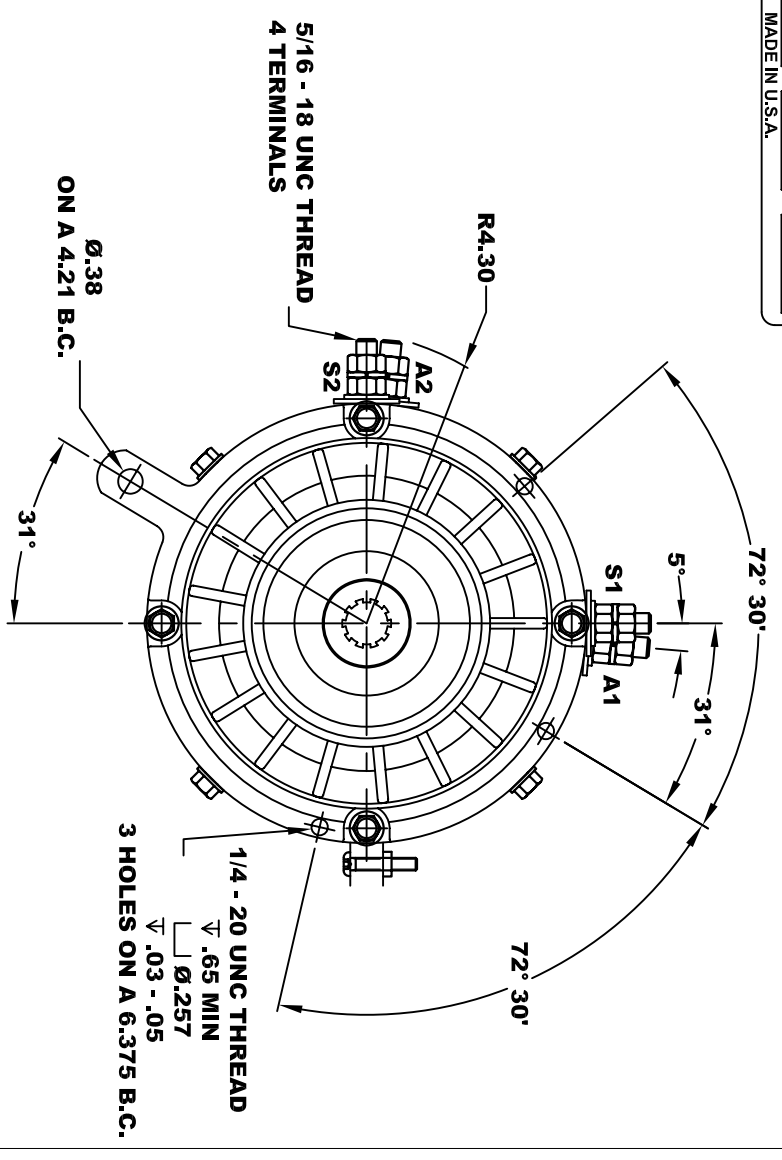
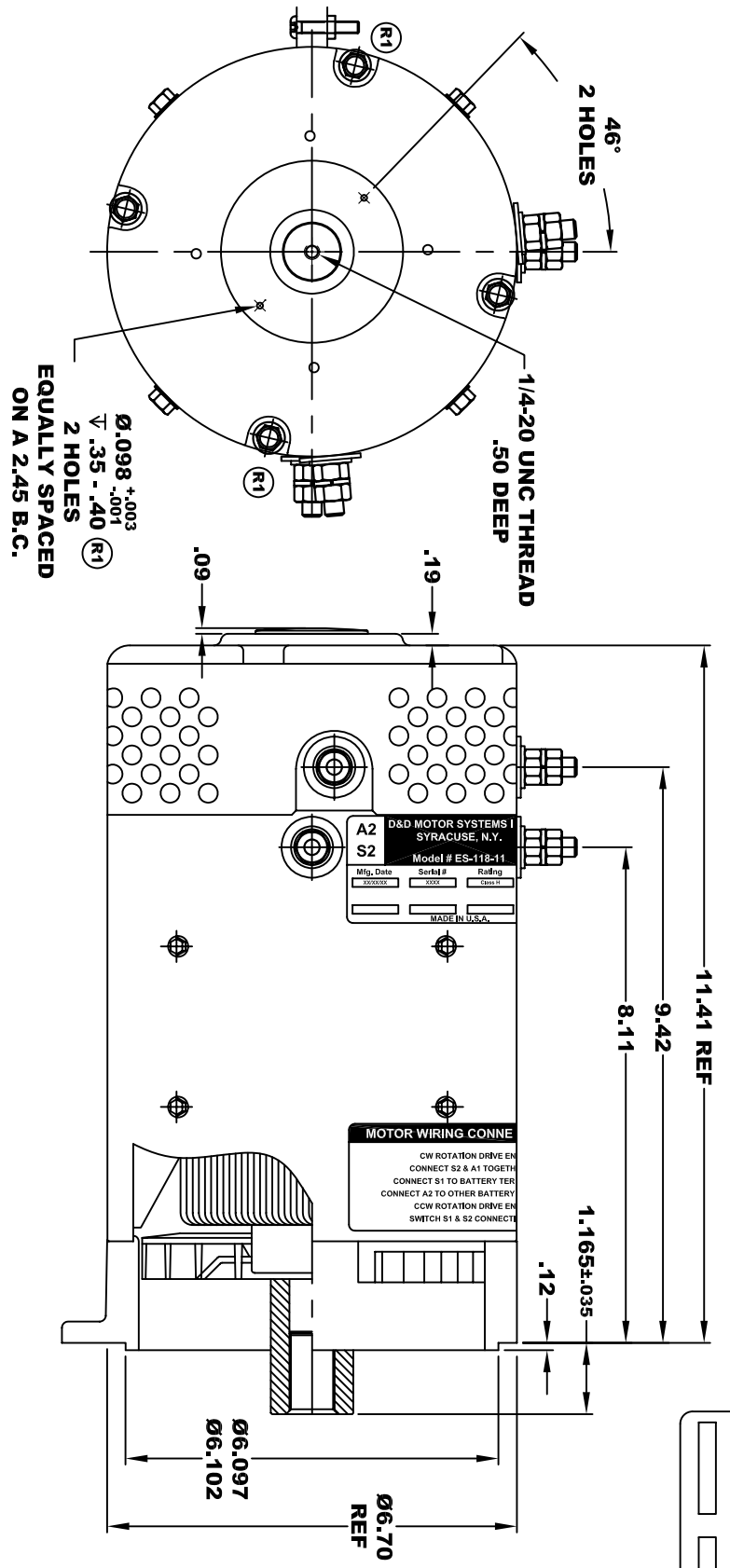


D&D MOTOR SYSTEMS INC.			
A2	SYRACUSE N.Y.		A1
S2	Model # ES-118-11		S1
Mfg. Date	Serial #	Rating	Voltage
XXXXXX	XXXX	CLASS H	XX
MADE IN U.S.A.			

**TORQUE SPECIFICATION FOR
POWER CABLE SECURING TOP NUTS
5/16-18 UNC - 110 IN / LBS MAX**



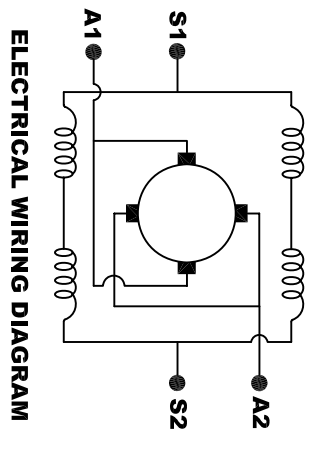
**MOTOR WEIGHT: XX LBS
CLASS "H" INSULATION
PERFORMANCE SPEC: 11**

D & D MOTOR SYSTEMS INC

MOTOR OUTLINE

THIS PRINT IS THE PROPERTY OF D&D MOTOR SYSTEMS INC.
DO NOT SCALE
WORK TO DIMENSIONS
TOLERANCES UNLESS OTHERWISE SPECIFIED ARE AS FOLLOWS
.XX _____ .01
.XXX _____ .005
.XX ROUGH CASTING _____ .03
HOLES _____ -.001 / +.006
ANGLES _____ 0°30"

SIZE	DRAWN DATE	RELEASE DATE	DWG NO. / PART NO.	REV
B	6-8-05		ES-118-11	R1
SCALE	STF	DRAWN BY	MJG	REV DATE
				9-4-08



MOTOR WIRING CONNECTIONS:
CW ROTATION DRIVE END
CONNECT S2 & A1 TOGETHER
CONNECT S1 TO BATTERY TERMINAL
CCW ROTATION DRIVE END
CONNECT A2 TO OTHER BATTERY TERMINAL
SWITCH S1 & S2 CONNECTIONS

ELECTRICAL WIRING DIAGRAM