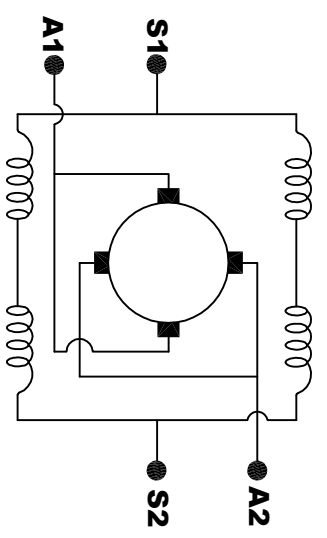
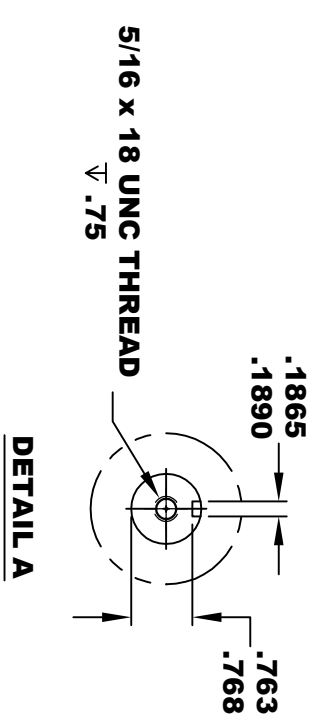
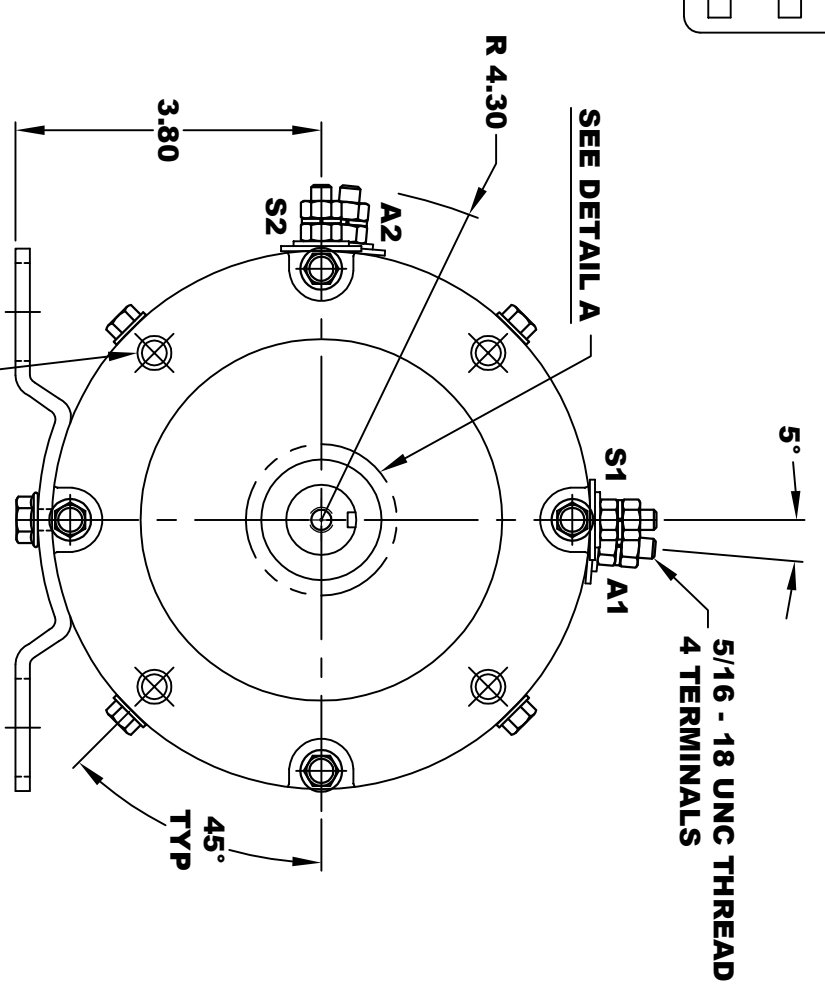
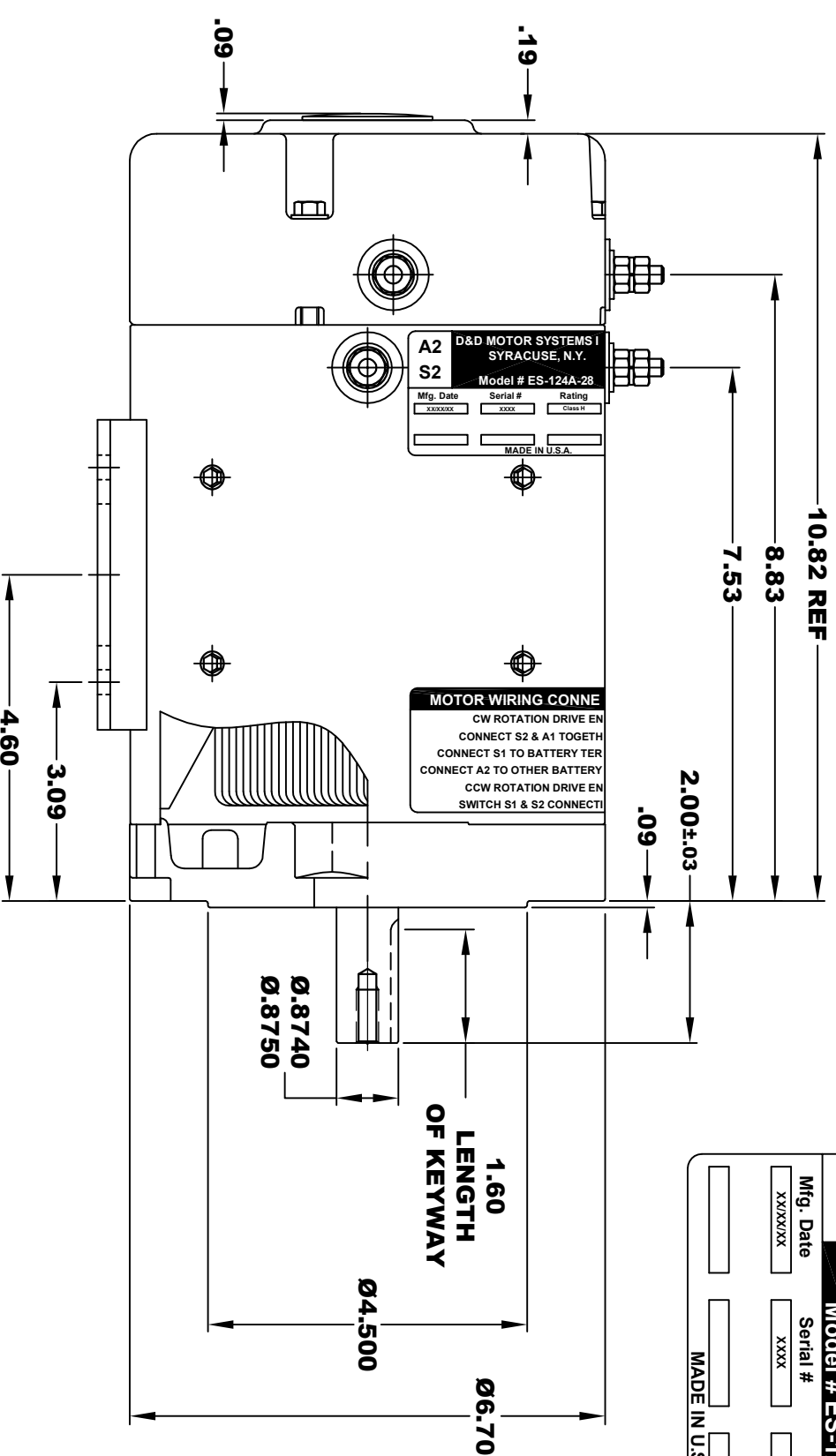


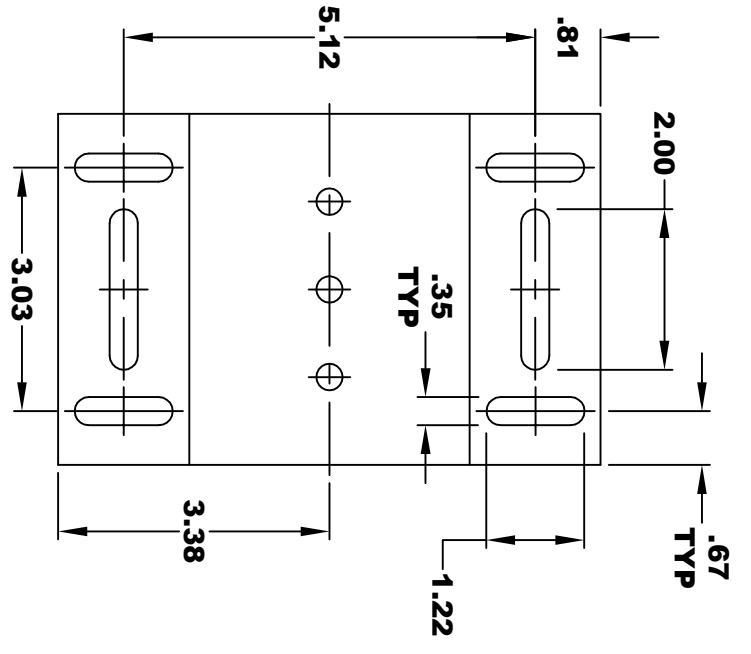
D&D MOTOR SYSTEMS INC.			
A2	SYRACUSE N.Y.		A1
S2	Model # ES-124A-28		S1
Mfg. Date	Serial #	Rating	Voltage
XXXXXX	XXXX	CLASS H	XX
		MADE IN U.S.A.	

**TORQUE SPECIFICATION FOR
POWER CABLE SECURING TOP NUTS
5/16-18 UNC - 110 IN / LBS MAX**



MOTOR WIRING CONNECTIONS:
CW ROTATION DRIVE END
 CONNECT S2 & A1 TOGETHER
 CONNECT S1 TO BATTERY TERMINAL
 CONNECT A2 TO OTHER BATTERY TERMINAL
CCW ROTATION DRIVE END
 SWITCH S1 & S2 CONNECTIONS

3/8 - 16 UNC THREAD
 .65 MINIMUM
 .03 -.05 x 45° CHAMFER
 4 PLACES, ON A Ø5.875 B. C.



MOTOR WEIGHT: 58 LBS
CLASS "H" INSULATION
PERFORMANCE SPEC: 28

THIS PRINT IS THE PROPERTY OF D&D MOTOR SYSTEMS INC.
 DO NOT SCALE
 WORK TO DIMENSIONS
 TOLERANCES UNLESS OTHERWISE SPECIFIED ARE AS FOLLOWS
 .XX .01
 .XXX .005
 .XX ROUGH CASTING .03
 HOLES .001 / +.006
 ANGLES 0.30"

D & D MOTOR SYSTEMS INC			
MOTOR OUTLINE			
SIZE	DRAWN DATE	RELEASE DATE	DWG NO. / PART NO.
B	3-19-13		ES-124A-28
SCALE	STF	DRAWN BY	MJG
			REV DATE
			9-5-17