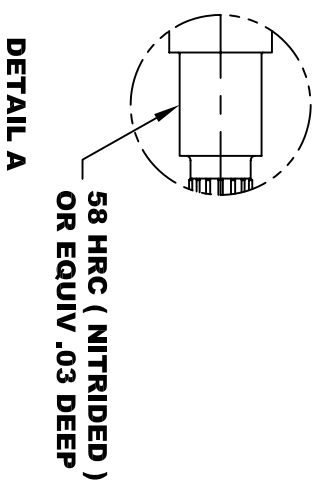
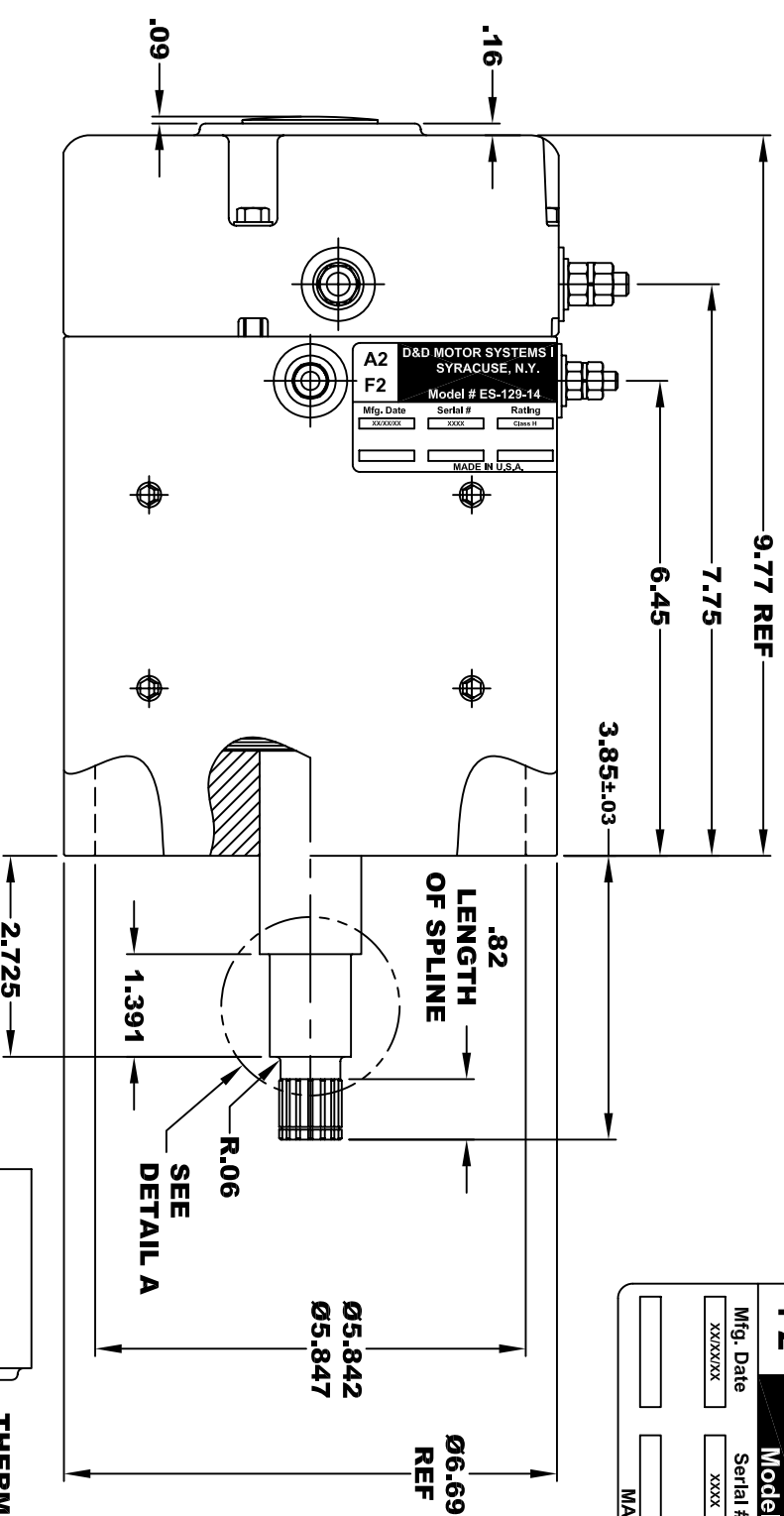
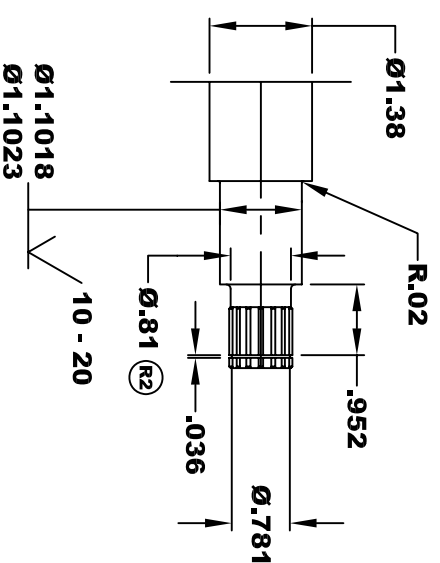


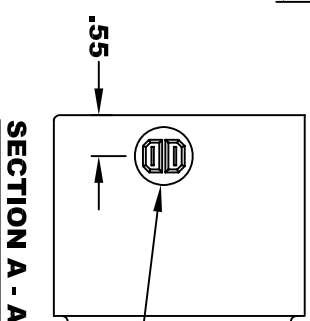
D&D MOTOR SYSTEMS INC.			
SYRACUSE N.Y.			
A2	F2	A1	F1
Model # ES-129-14			
Mfg. Date XX/XX/XX	Serial # XXXX	Rating CLASS H	Voltage 48
MADE IN U.S.A.			



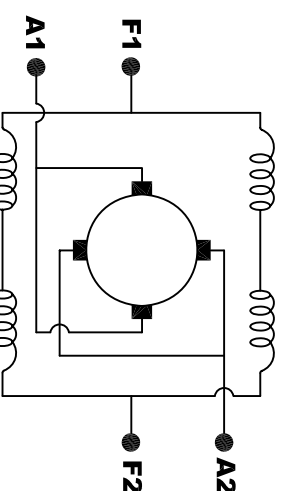
EXTERNAL INVOLUTE SPLINE DATA	
TYPE OF FIT	SIDE FIT
NUMBER OF TEETH	16
SPLINE PITCH	20 / 40
PRESSURE ANGLE	30°
BASE DIAMETER	.692 REF
PITCH DIAMETER	.800 REF
MAJOR DIAMETER (h11)	.850
FORM DIAMETER	.746
MINOR DIAMETER (h14)	.686



MOTOR WEIGHT XX LBS
CLASS "H" INSULATION
PERFORMANCE SPEC: 14



THERMAL PROTECTOR ELECTRICAL SPECIFICATION:
MAX. DC OPERATING VOLTAGE: 60 VOLTS
180° C NORMALLY CLOSED SWITCH
TERMINAL BUSHING
1/4" SPADE CONNECTIONS

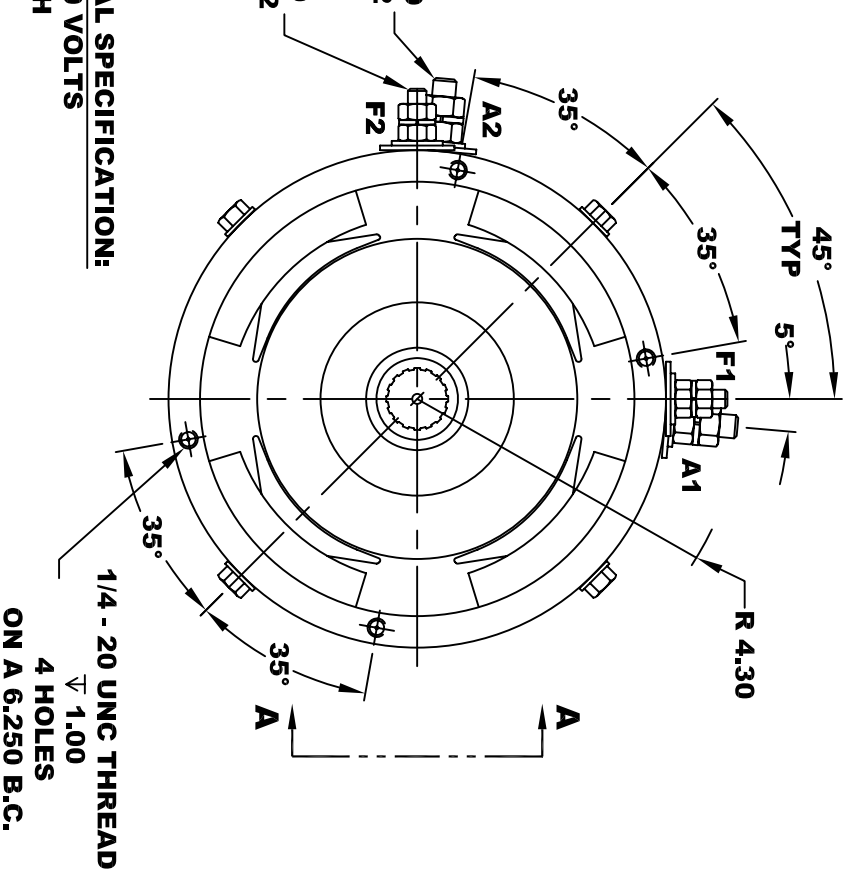


ELECTRICAL WIRING DIAGRAM

THIS PRINT IS THE PROPERTY OF D&D MOTOR SYSTEMS INC.
DO NOT SCALE
WORK TO DIMENSIONS
TOLERANCES UNLESS OTHERWISE SPECIFIED ARE AS FOLLOWS

.XX	.01
.XXX	.005
.XX ROUGH CASTING	.03
HOLES	-.001 / +.006
ANGLES	0°30"

**TORQUE SPECIFICATION FOR
POWER CABLE SECURING TOP NUTS**
5/16-18 UNC (A1 / A2) - 110 IN / LBS MAX
1/4-20 UNC (F1 / F2) - 50 IN / LBS MAX



MOTOR WIRING CONNECTIONS:
CW ROTATION DRIVE END
CONNECT A1 & F1 TO ONE BATTERY TERMINAL
CCW ROTATION DRIVE END
CONNECT A2 & F2 TO OTHER BATTERY TERMINAL
SWITCH F1 & F2 CONNECTIONS

D & D MOTOR SYSTEMS INC

MOTOR OUTLINE

SIZE	DRAWN DATE	RELEASE DATE	DWG NO. / PART NO.	REV
B	6-15-06		ES-129-14	R2
SCALE	STF	DRAWN BY	MJG	REV DATE
				7-27-06