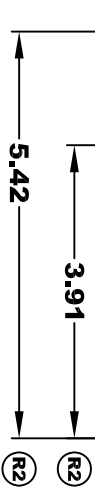
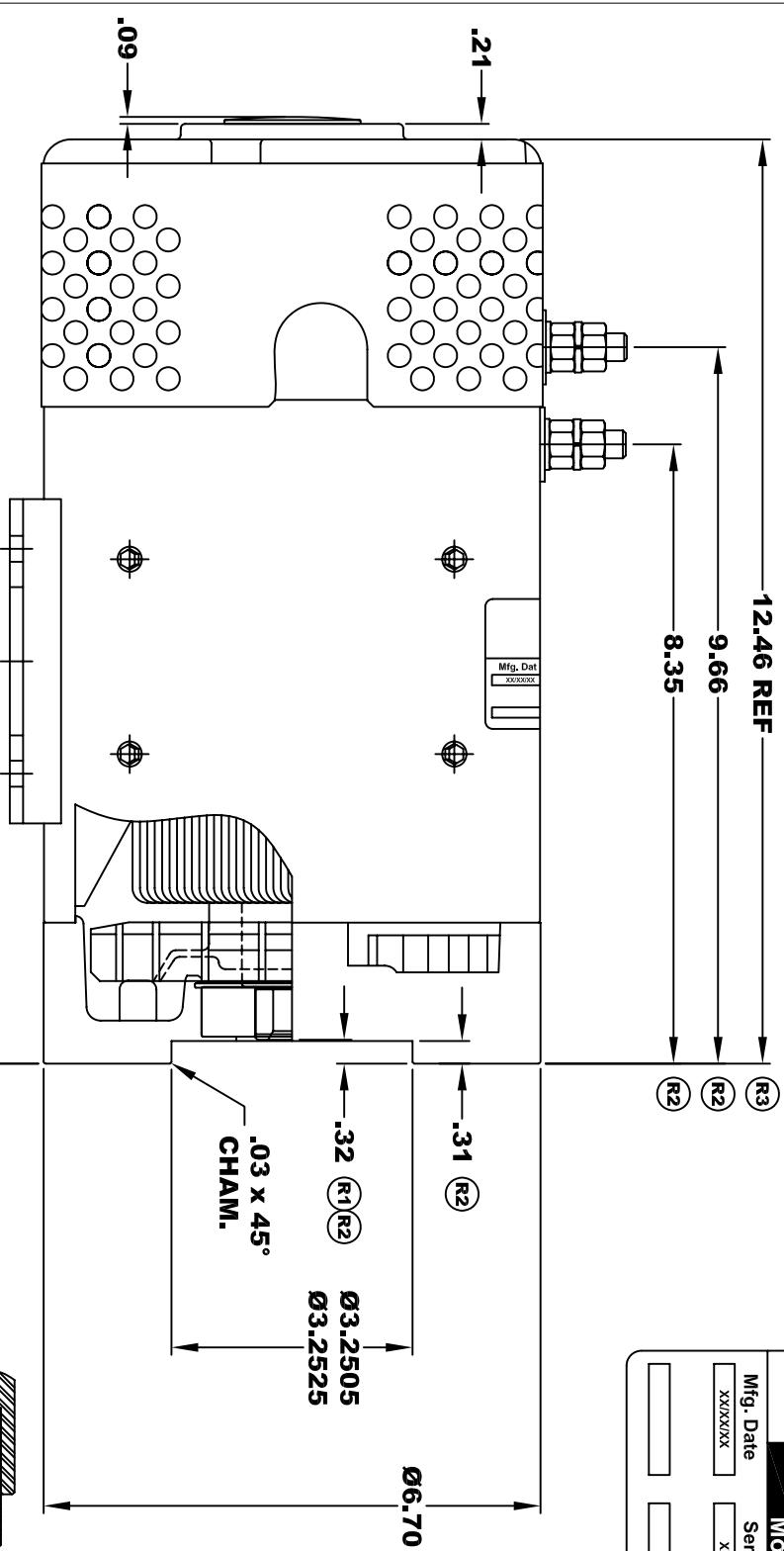


D&D MOTOR SYSTEMS INC.
SYRACUSE N.Y.

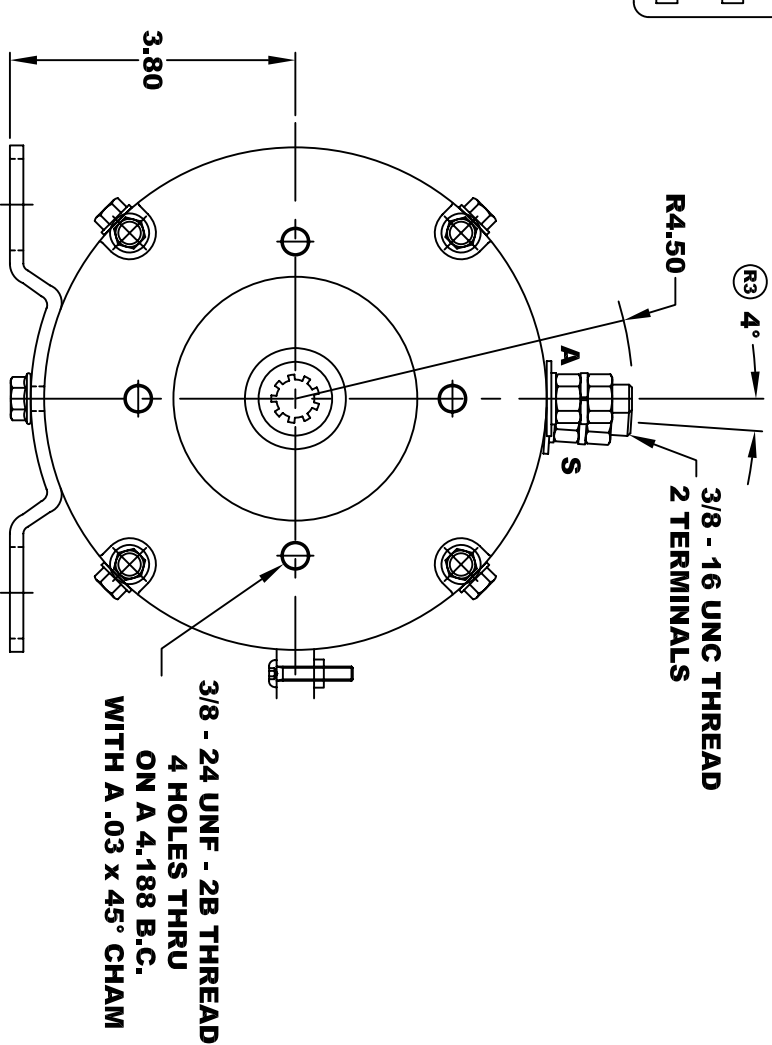
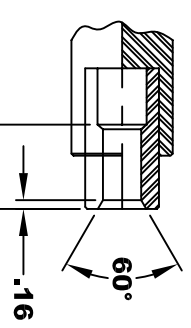
Model # ES-133-41

Mfg. Date	Serial #	Rating	Voltage
XXXXXX	XXXX	CLASS H	XXXX
			MADE IN U.S.A.

**TORQUE SPECIFICATION FOR
POWER CABLE SECURING TOP NUTS**
3/8 - 16 UNC - 140 IN / LBS MAX



SPLINE HARDNESS
R/C 46 - 52

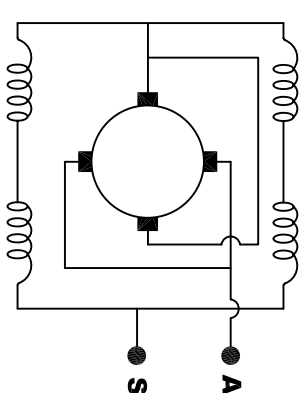


**INTERNAL INVOLUTE SPLINE SPECIFICATION
FLAT ROOT SIDE FIT (PER A.N.S.I. B92.1 CLASS 5)**

- NO. OF TEETH _____ 9
- SPLINE PITCH _____ 16 / 32
- PRESSURE ANGLE _____ 30°
- BASE Ø _____ .4871 REF
- PITCH Ø _____ .5625 REF
- MAJOR Ø _____ .651
- FORM Ø _____ .629
- MINOR Ø _____ .509 - .514

⊙	.010	A
⊥	.010	B

- CIRCULAR SPACE WIDTH**
- MAX ACTUAL _____ .1008
- MIN EFFECTIVE _____ .0982
- MAX DIMENSION BETWEEN TWO PINS _____ .3972
- PIN Ø _____ .1080



ELECTRICAL WIRING DIAGRAM

MOTOR WEIGHT: 62 LBS
CLASS "H" INSULATION
PERFORMANCE SPEC: 41

MOTOR WIRING CONNECTIONS:
CCW ROTATION DRIVE END
CONNECT ONE POWER CABLE TO TERMINAL A
CONNECT THE OTHER POWER CABLE TO TERMINAL S

D & D MOTOR SYSTEMS INC

MOTOR OUTLINE

THIS PRINT IS THE PROPERTY OF D&D MOTOR SYSTEMS INC.
DO NOT SCALE
WORK TO DIMENSIONS
TOLERANCES UNLESS OTHERWISE SPECIFIED ARE AS FOLLOWS
.XX _____ .01
.XXX _____ .005
.XX ROUGH CASTING _____ .03
HOLES _____ -.001 / +.006
ANGLES _____ 0°30"

SIZE	DRAWN DATE	RELEASE DATE	DWG NO. / PART NO.	REV
B	3-19-07		ES-133-41	R3
SCALE	STF	DRAWN BY	MJG	REV DATE
				2-16-16