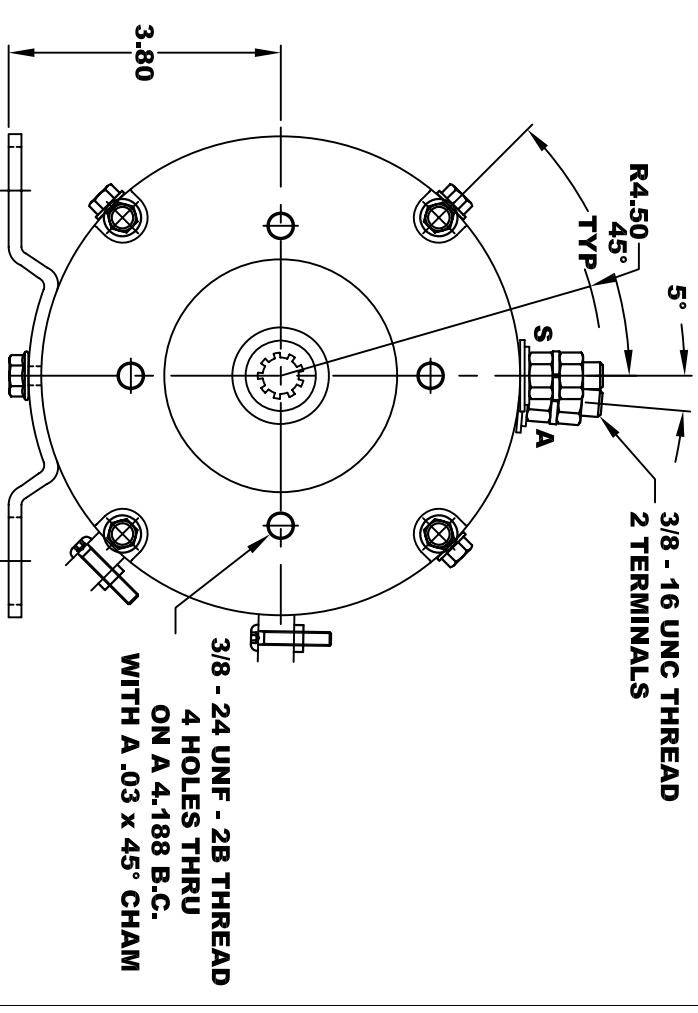
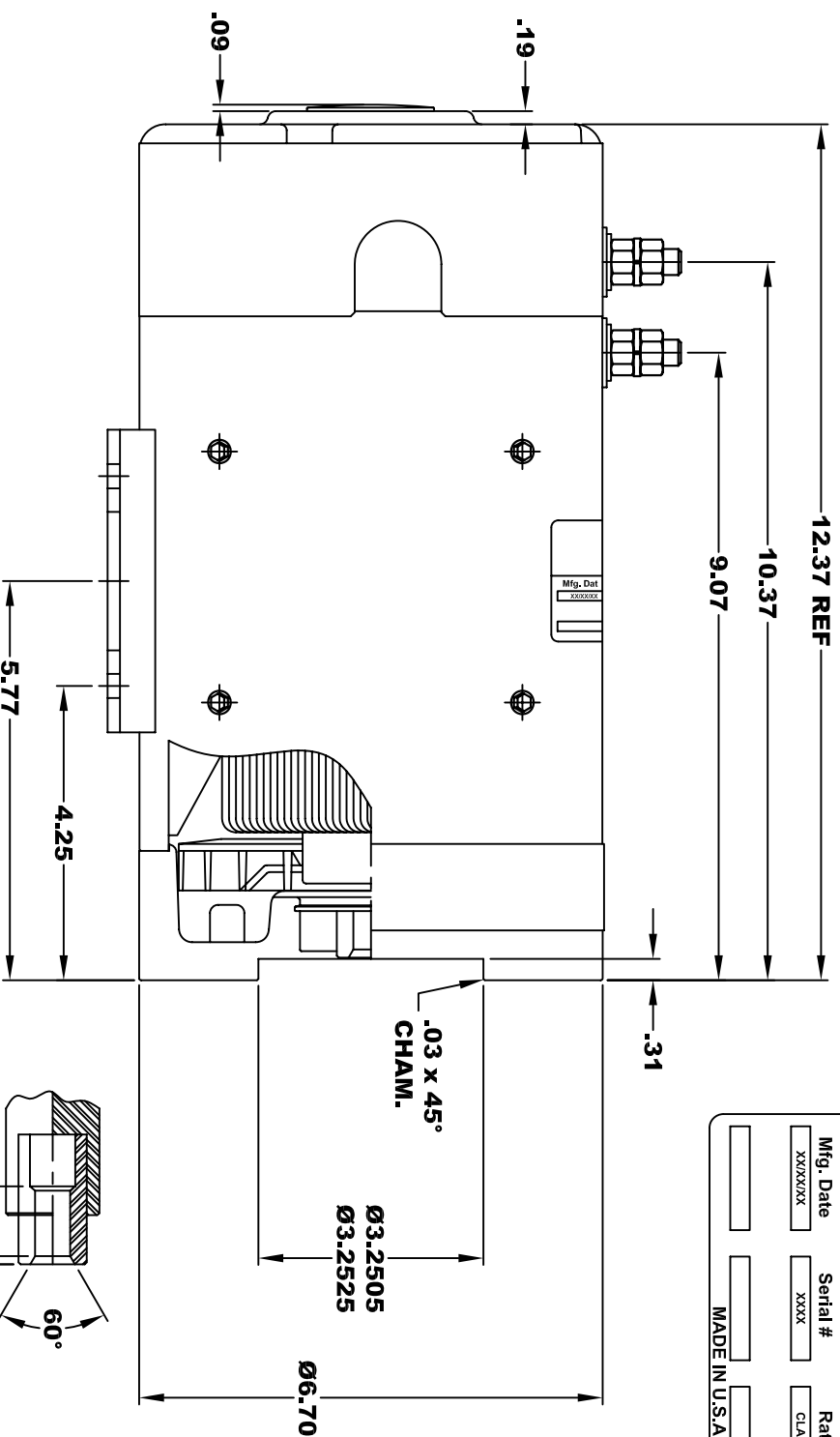


D&D MOTOR SYSTEMS INC.
SYRACUSE N.Y.

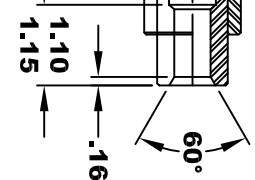
Model # ES-138-74

Mfg. Date	Serial #	Rating	Voltage
XXXXXX	XXXX	CLASS H	36 / 48
MADE IN U.S.A.			

**TORQUE SPECIFICATION FOR
POWER CABLE SECURING TOP NUTS**
3/8 - 16 UNC - 140 IN / LBS MAX



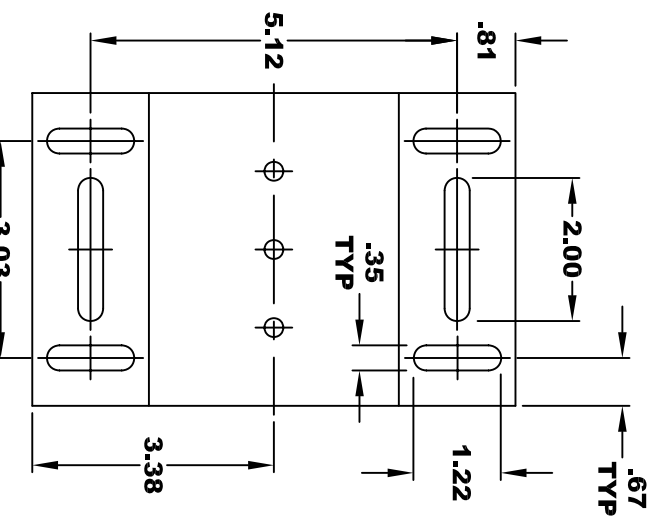
SPLINE HARDNESS
R/C 46 - 52



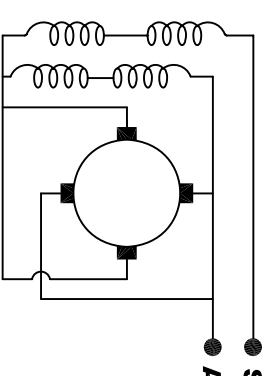
INTERNAL INVOLUTE SPLINE SPECIFICATION
FLAT ROOT SIDE FIT (PER A.N.S.I. B92.1 CLASS 5)

NO. OF TEETH _____ 9
SPLINE PITCH _____ 16 / 32
PRESSURE ANGLE _____ 30°
BASE Ø _____ .4871 REF
PITCH Ø _____ .5625 REF
MAJOR Ø _____ .651
FORM Ø _____ .629
MINOR Ø _____ .509 - .514

⊙	.010	A
⊙	.010	B



CIRCULAR SPACE WIDTH
MAX ACTUAL _____ .1008
MIN EFFECTIVE _____ .0982
MAX DIMENSION BETWEEN TWO PINS _____ .3972
PIN Ø _____ .1080



ELECTRICAL WIRING DIAGRAM

MOTOR WEIGHT: 65 LBS
CLASS "H" INSULATION
PERFORMANCE SPEC: 74

MOTOR WIRING CONNECTIONS:
CW ROTATION DRIVE END
CONNECT ONE POWER CABLE TO TERMINAL A
CONNECT THE OTHER POWER CABLE TO TERMINAL S

D & D MOTOR SYSTEMS INC

MOTOR OUTLINE

THIS PRINT IS THE PROPERTY OF D&D MOTOR SYSTEMS INC.
DO NOT SCALE
WORK TO DIMENSIONS
TOLERANCES UNLESS OTHERWISE SPECIFIED ARE AS FOLLOWS
.XX _____ .01
.XXX _____ .005
.XX ROUGH CASTING _____ .03
HOLES _____ -.001 / +.006
ANGLES _____ 0°30"

SIZE	DRAWN DATE	RELEASE DATE	DWG NO. / PART NO.	REV
B	9-16-08		ES-138-74	
SCALE	STF	DRAWN BY	MJG	REV DATE