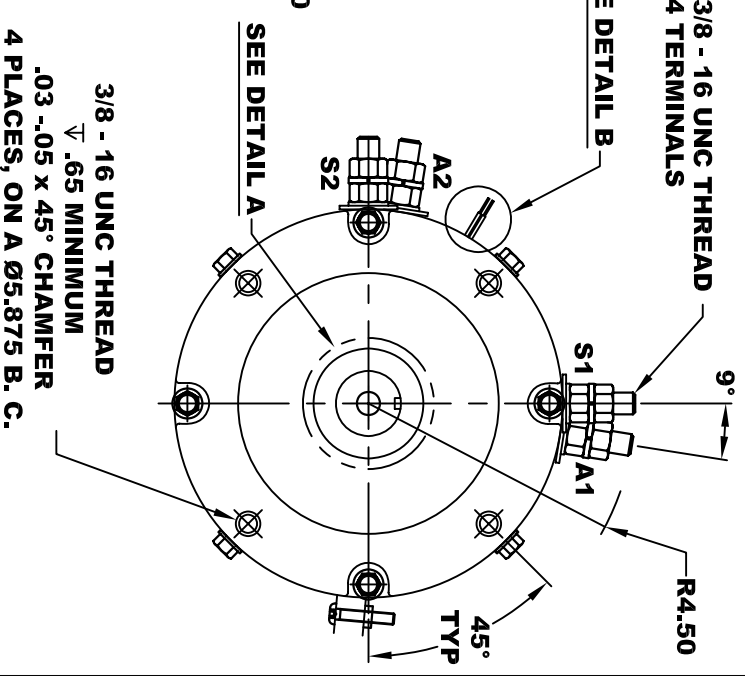
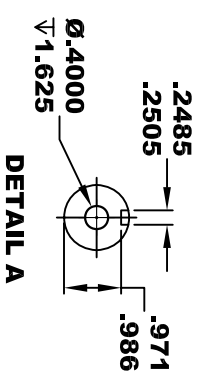
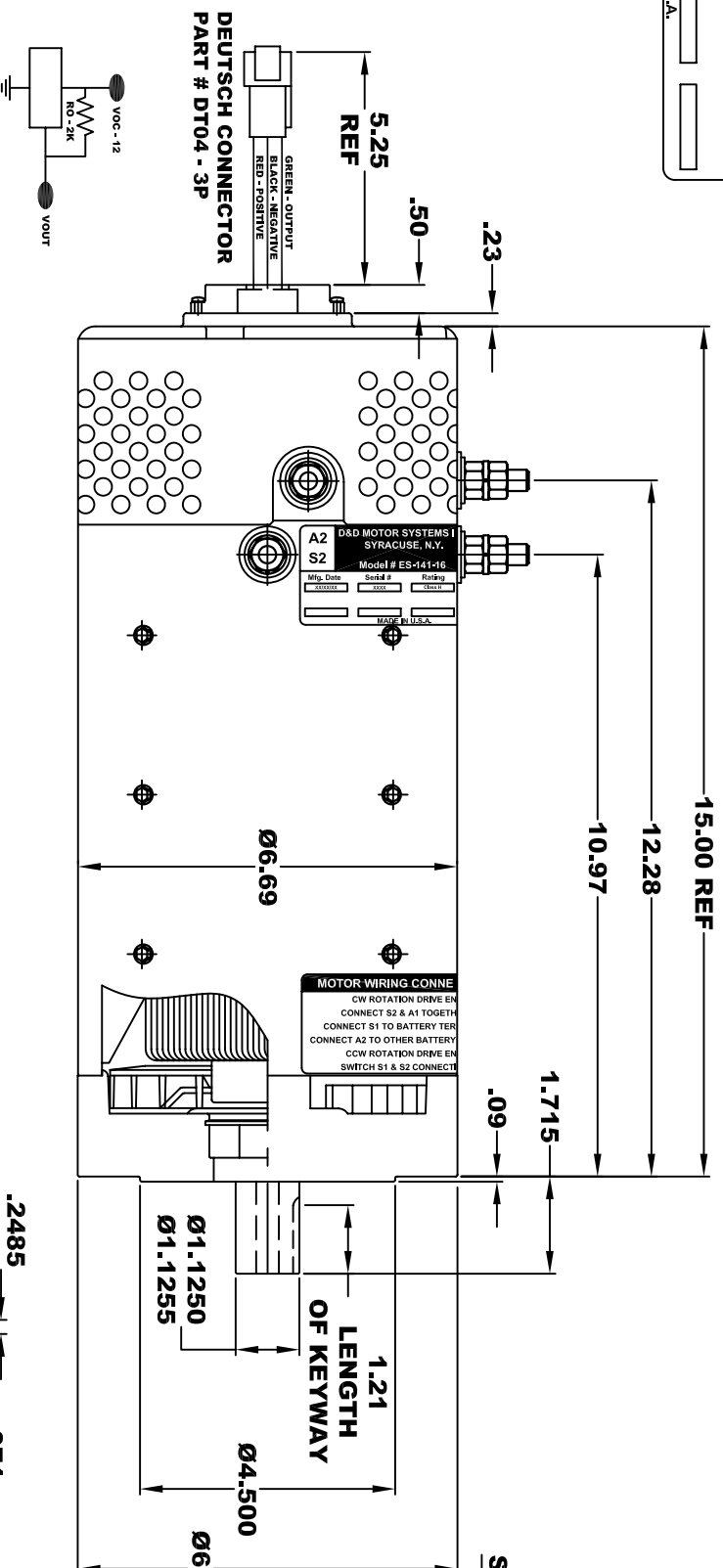
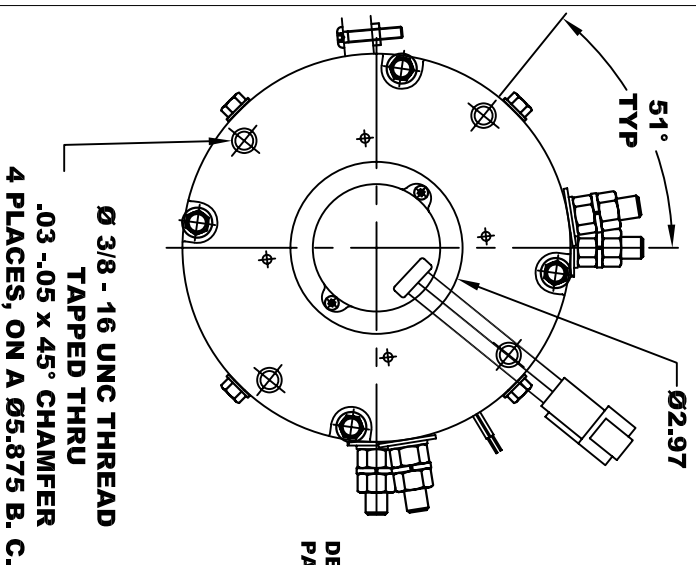


**TORQUE SPECIFICATION FOR  
POWER CABLE SECURING TOP NUTS**  
3/8 - 16 UNC - 140 IN / LBS MAX

|                   |                                   |          |         |           |
|-------------------|-----------------------------------|----------|---------|-----------|
| <b>A2</b>         | <b>D&amp;D MOTOR SYSTEMS INC.</b> |          |         | <b>A1</b> |
| <b>S2</b>         | <b>SYRACUSE N.Y.</b>              |          |         | <b>S1</b> |
| Mfg. Date         |                                   | Serial # | Rating  | Voltage   |
| XXXXXX            |                                   | XXXX     | Class H | XX        |
| Model # ES-141-16 |                                   |          |         |           |
| MADE IN U.S.A.    |                                   |          |         |           |

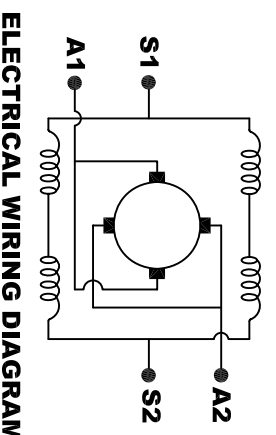


- SPEED SENSOR ELECTRICAL SPECIFICATION:**
- 4.5V TO 24V OPERATING VOLTAGE
  - 20° C TO 85° C OPERATING TEMPERATURE
  - CURRENT SINKING UP TO 25mA
  - AN EXTERNAL OUTPUT PULL UP RESISTOR IS REQUIRED
  - SENSOR IS DESIGNED TO OPERATE WITH 4 N/S POLEPAIRS
  - THE OPERATIONAL DISTANCE BETWEEN THE MAGNET AND THE HOUSING, INCLUDING ANY RUNOUT SHOULD NOT EXCEED .030 INCHES

**THERMAL PROTECTOR ELECTRICAL SPECIFICATION:**  
MAX. DC OPERATING VOLTAGE: 60 VOLTS  
180° C NORMALLY CLOSED SWITCH

**DETAIL B**

**MOTOR WEIGHT: 83 LBS**  
**CLASS "H" INSULATION**  
**PERFORMANCE SPEC: 16**



- MOTOR WIRING CONNECTIONS:**
- CW ROTATION DRIVE END
  - CONNECT S2 & A1 TOGETHER
  - CONNECT S1 TO BATTERY TERMINAL
  - CONNECT A2 TO OTHER BATTERY TERMINAL
  - CCW ROTATION DRIVE END
  - SWITCH S1 & S2 CONNECTIONS

THIS PRINT IS THE PROPERTY OF D&D MOTOR SYSTEMS INC.  
DO NOT SCALE  
WORK TO DIMENSIONS  
TOLERANCES UNLESS OTHERWISE SPECIFIED ARE AS FOLLOWS

|                   |               |
|-------------------|---------------|
| .XX               | .01           |
| .XXX              | .005          |
| .XX ROUGH CASTING | .03           |
| HOLES             | -.001 / +.006 |
| ANGLES            | 0°30"         |

**D & D MOTOR SYSTEMS INC**  
**MOTOR OUTLINE**

|       |            |              |                    |          |
|-------|------------|--------------|--------------------|----------|
| SIZE  | DRAWN DATE | RELEASE DATE | DWG NO. / PART NO. | REV      |
| B     | 2-16-09    |              | ES-141-16          |          |
| SCALE | STF        | DRAWN BY     | MJG                | REV DATE |