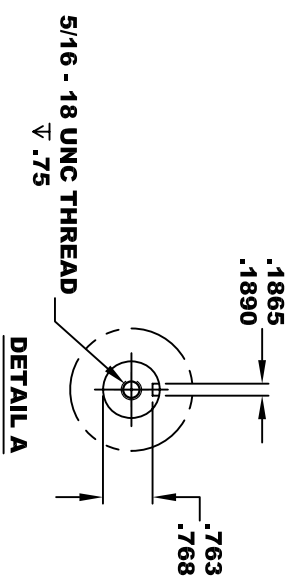
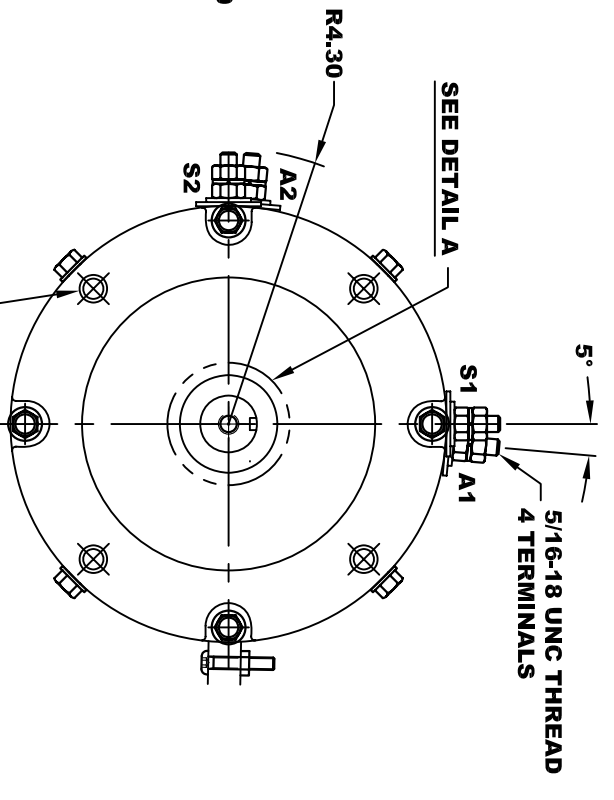
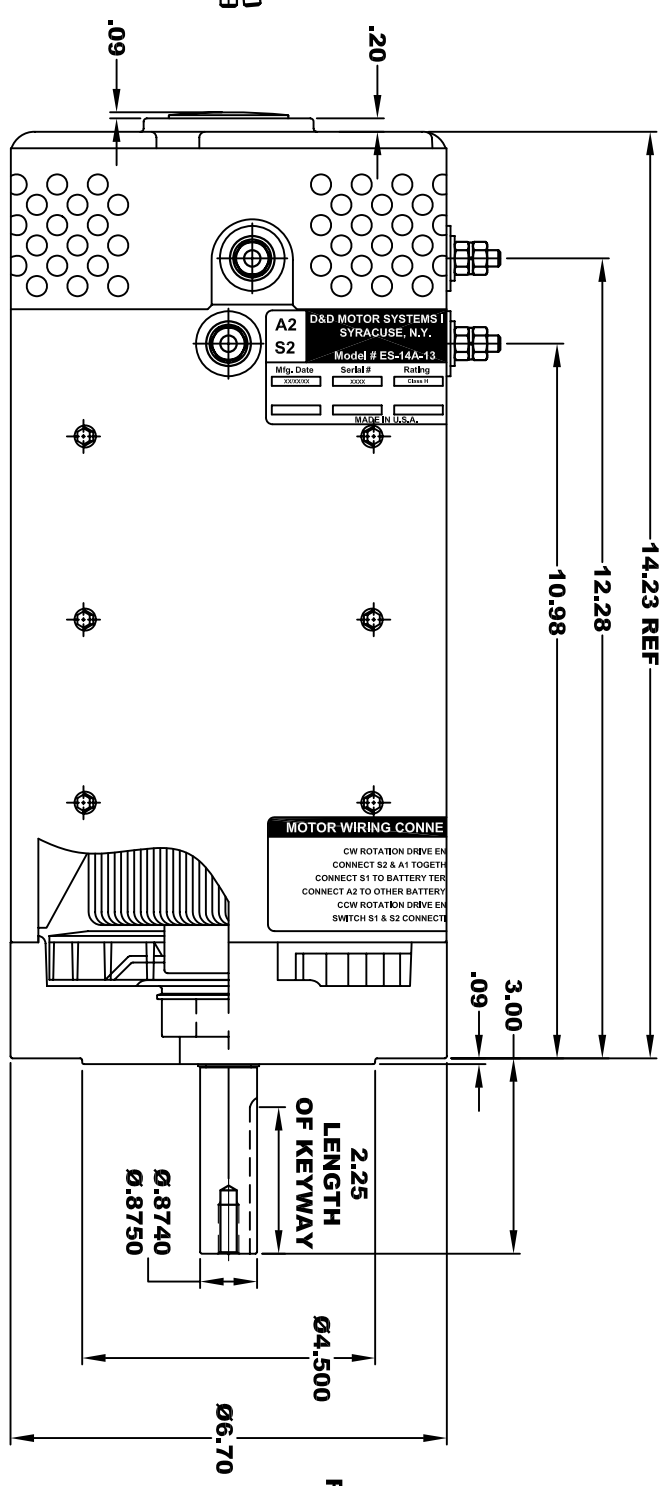
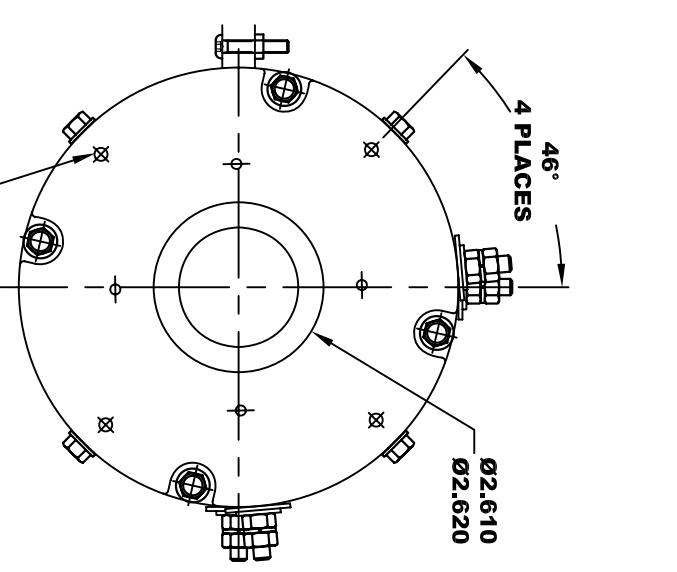
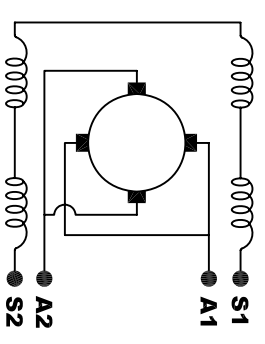


<b>D&amp;D MOTOR SYSTEMS INC.</b>			
SYRACUSE N.Y.			
<b>A2</b>	<b>S2</b>	<b>A1</b>	<b>S1</b>
Model # ES-14A-13			
Mfg. Date	Serial #	Rating	Voltage
XXXXXX	XXXX	Class H	36 / 48
MADE IN U.S.A.			

**TORQUE SPECIFICATION FOR  
POWER CABLE SECURING TOP NUTS**  
5/16-18 UNC - 110 IN / LBS MAX



**MOTOR WEIGHT: 79 LBS**  
**CLASS "H" INSULATION**  
**PERFORMANCE SPEC: 13**



**MOTOR WIRING CONNECTIONS:**  
**CW ROTATION DRIVE END**  
CONNECT S2 & A1 TOGETHER  
CONNECT S1 TO BATTERY TERMINAL  
**CCW ROTATION DRIVE END**  
CONNECT A2 TO OTHER BATTERY TERMINAL  
CONNECT S1 TO OTHER BATTERY TERMINAL  
**SWITCH S1 & S2 CONNECTIONS**

THIS PRINT IS THE PROPERTY OF D&D MOTOR SYSTEMS INC.  
DO NOT SCALE  
WORK TO DIMENSIONS  
TOLERANCES UNLESS OTHERWISE SPECIFIED ARE AS FOLLOWS  
 .XX \_\_\_\_\_ .01  
 .XXX \_\_\_\_\_ .005  
 .XX ROUGH CASTING \_\_\_\_\_ .03  
 HOLES \_\_\_\_\_ -.001 / +.006  
 ANGLES \_\_\_\_\_ 0°30"

<b>D &amp; D MOTOR SYSTEMS INC</b>			
<b>MOTOR OUTLINE</b>			
SIZE	DRAWN DATE	RELEASE DATE	DWG NO. / PART NO.
B	3-24-08		ES-14A-13
SCALE	STF	DRAWN BY	MJG
			REV DATE