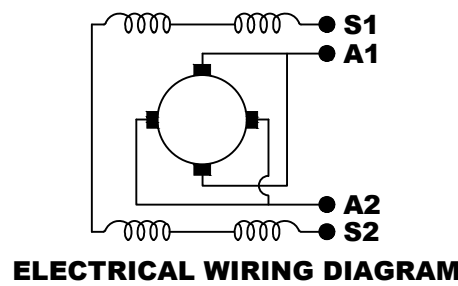
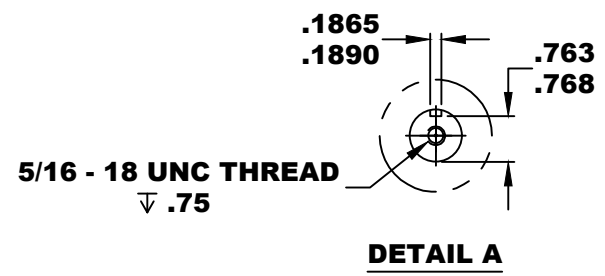
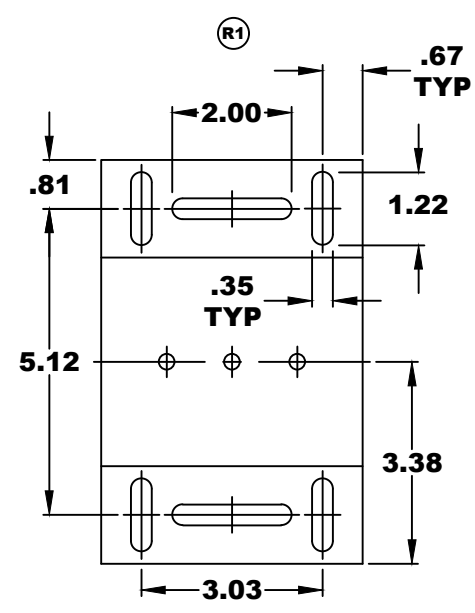
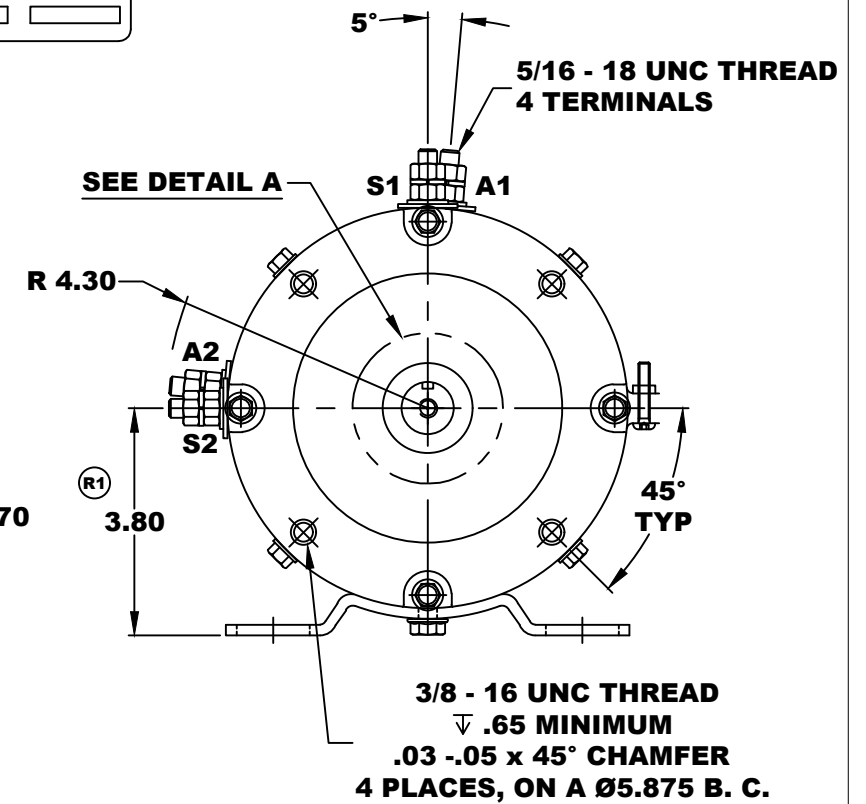
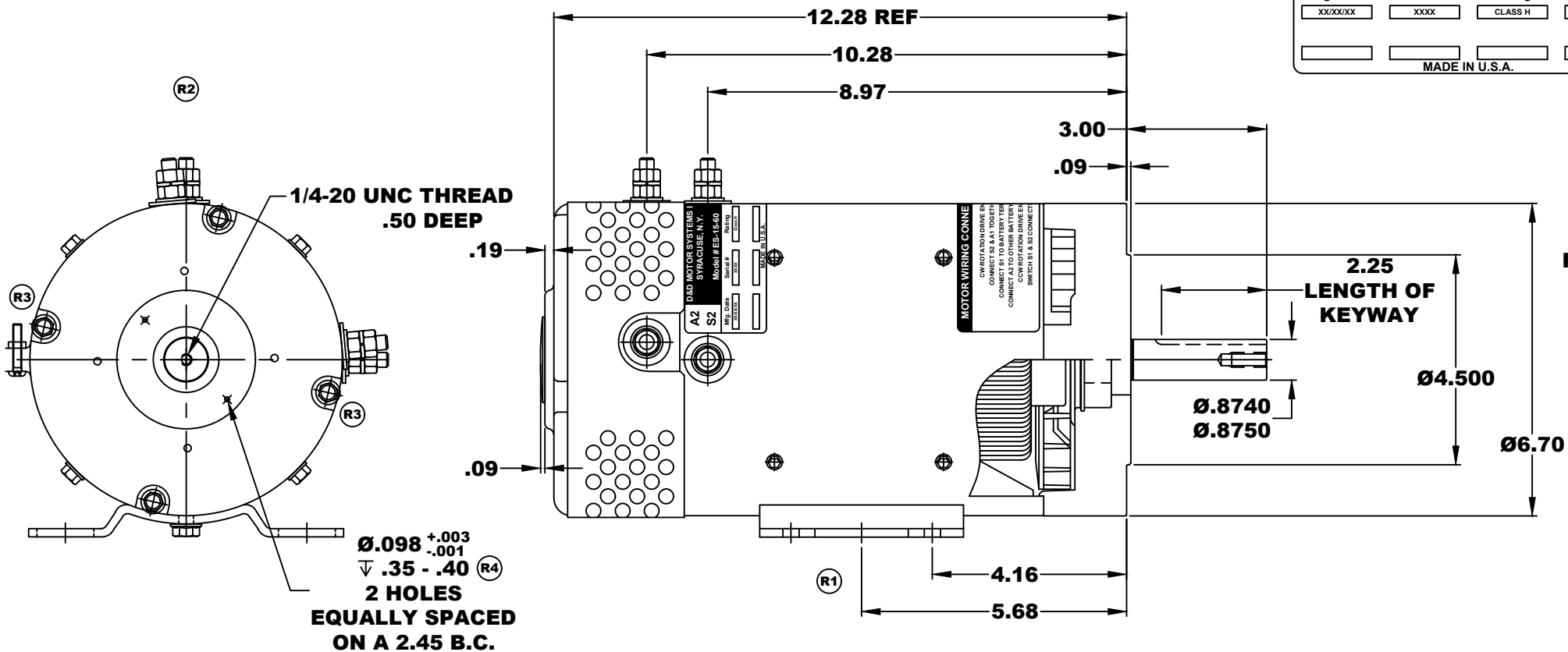


A2	D&D MOTOR SYSTEMS INC.		A1
S2	SYRACUSE N.Y.		S1
Model # ES-15-60			
Mfg. Date	Serial #	Rating	Voltage
XX/XX/XX	XXXX	CLASS H	36 / 48
MADE IN U.S.A.			

**TORQUE SPECIFICATION FOR
POWER CABLE SECURING TOP NUTS
5/16-18 UNC - 110 IN / LBS MAX**



MOTOR WIRING CONNECTIONS:
CW ROTATION DRIVE END
CONNECT S2 & A1 TOGETHER
CONNECT S1 TO BATTERY TERMINAL
CONNECT A2 TO OTHER BATTERY TERMINAL
CCW ROTATION DRIVE END
SWITCH S1 & S2 CONNECTIONS

MOTOR WEIGHT: 63 LBS
CLASS "H" INSULATION
PERFORMANCE SPEC: 60 / K-254

THIS PRINT IS THE PROPERTY OF D&D MOTOR SYSTEMS INC.

DO NOT SCALE
WORK TO DIMENSIONS

TOLERANCES UNLESS OTHERWISE SPECIFIED ARE AS FOLLOWS

.XX	_____	.01
.XXX	_____	.005
.XX ROUGH CASTING	_____	.03
HOLES	_____	-.001 / +.006
ANGLES	_____	0'30"

D & D MOTOR SYSTEMS INC				
MOTOR OUTLINE				
SIZE	DRAWN DATE	RELEASE DATE	DWG NO. / PART NO.	REV
B	5-27-05		ES-15-60	R4
SCALE	DRAWN BY	REV DATE		
STF	MJG	9-3-08		