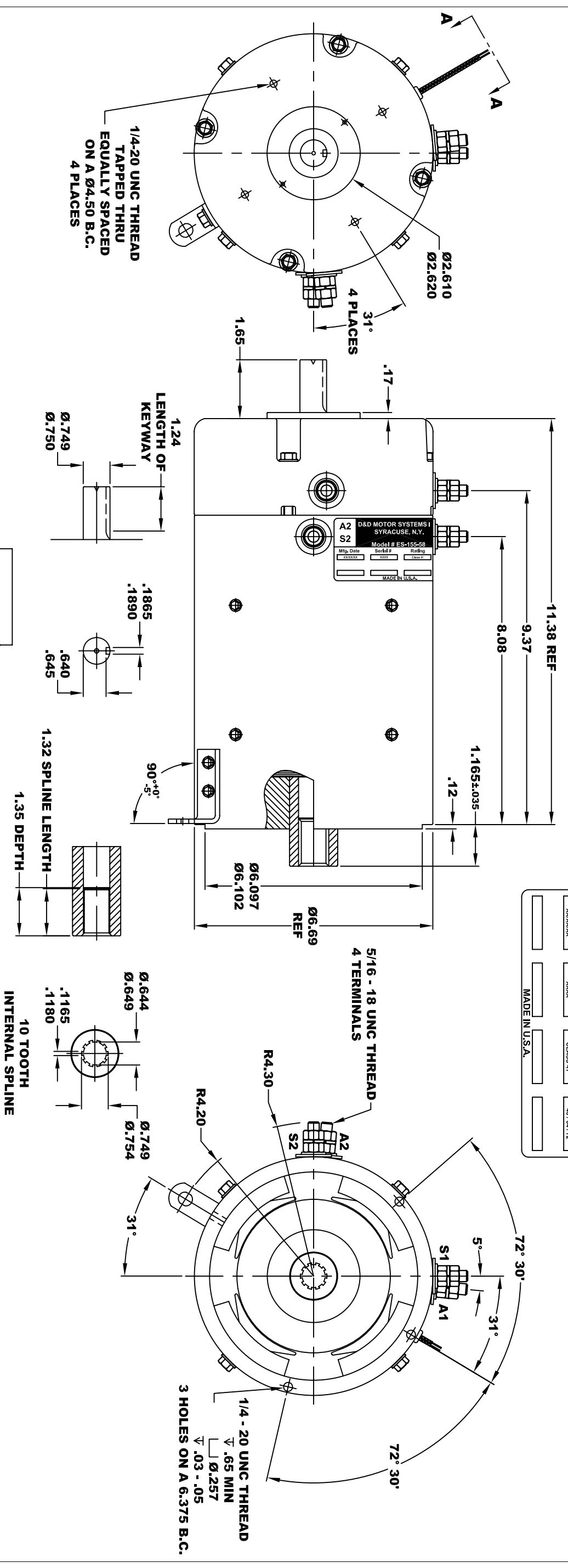


D&D MOTOR SYSTEMS INC.			
SYRACUSE N.Y.			
A2	Model # ES-155-58		A1
S2	Serial #	Rating	S1
Mfg. Date	XXXXXX	CLASS -H	Voltage
XXXXXX	XXXX	48 / 64 / 72	
MADE IN U.S.A.			

**TORQUE SPECIFICATION FOR
POWER CABLE SECURING TOP NUTS**
5/16-18 UNC - 110 IN LBS MAX



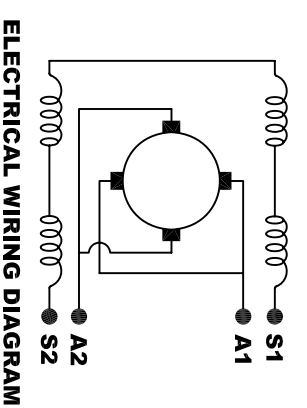
MOTOR WEIGHT 66 LBS
CLASS "H" INSULATION
PERFORMANCE SPEC: 58

D & D MOTOR SYSTEMS INC

MOTOR OUTLINE

THIS PRINT IS THE PROPERTY OF D&D MOTOR SYSTEMS INC.
DO NOT SCALE
WORK TO DIMENSIONS
TOLERANCES UNLESS OTHERWISE SPECIFIED ARE AS FOLLOWS
.XXX _____ .005
.XX _____ .03
HOLES _____ -.001 / +.006
ANGLES _____ 0°30"

SIZE	DRAWN DATE	RELEASE DATE	DWG NO. / PART NO.	REV
B	6-9-11		ES-155-58	
SCALE	STF	DRAWN BY	MJG	REV DATE



MOTOR WIRING CONNECTIONS:
CW ROTATION DRIVE END
CONNECT S2 & A1 TOGETHER
CONNECT S1 TO BATTERY TERMINAL
CCW ROTATION DRIVE END
CONNECT A2 TO OTHER BATTERY TERMINAL
CONNECT S1 & S2 CONNECTIONS