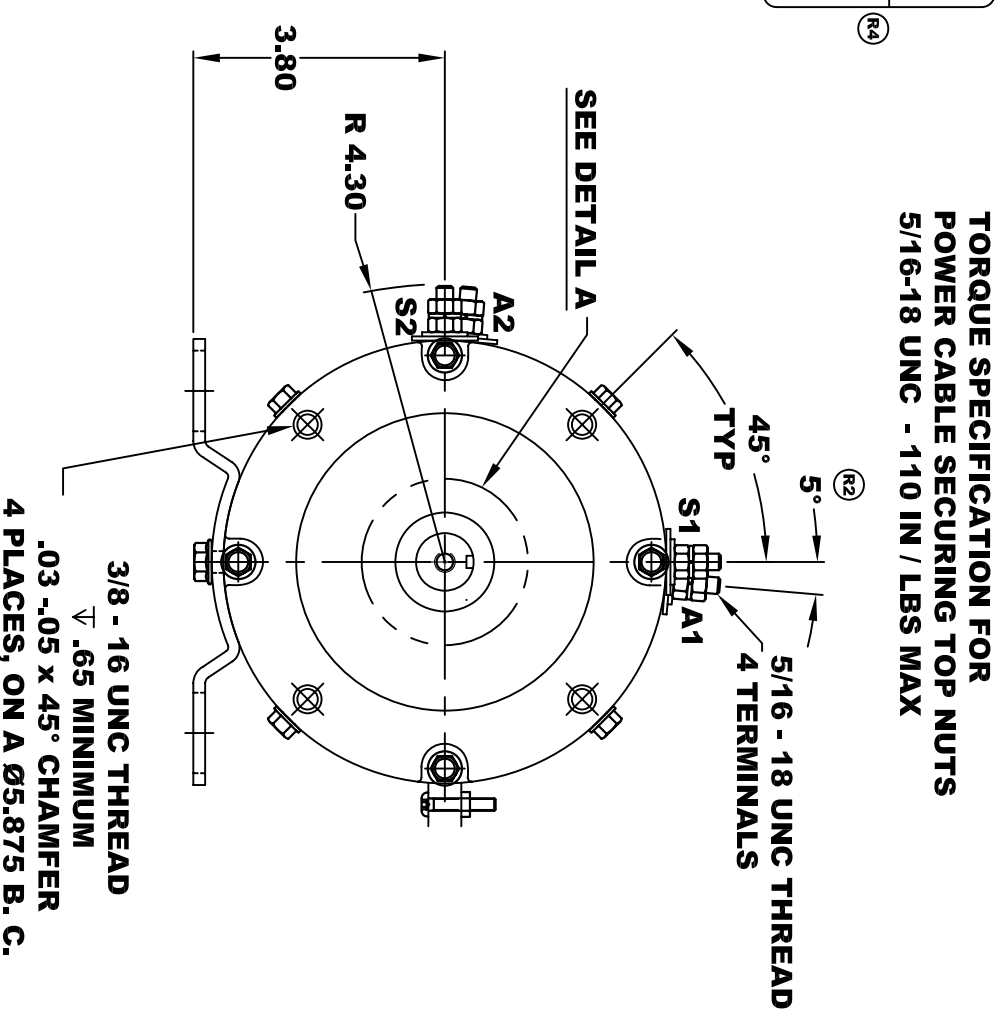
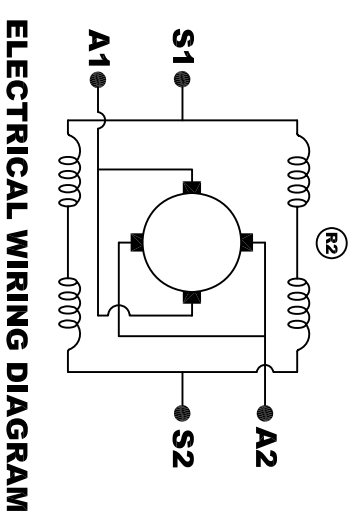
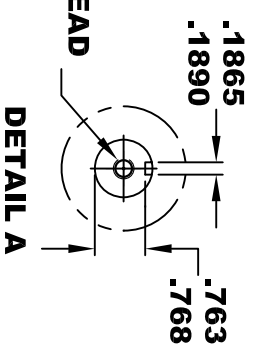


D&D MOTOR SYSTEMS INC.			
SYRACUSE N.Y.			
Model # ES-15A-6			
Mfg. Date	Serial #	Rating	Voltage
XXXXXX	XXXX	CLASS -H	30.48 / 72
MADE IN U.S.A.			

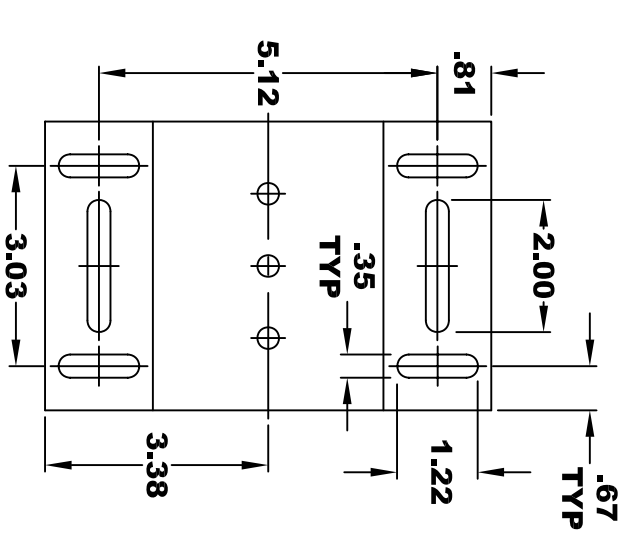


**TORQUE SPECIFICATION FOR
POWER CABLE SECURING TOP NUTS
5/16-18 UNC - 110 IN / LBS MAX**

**5/16 - 18 UNC THREAD
TYP .75**



MOTOR WIRING CONNECTIONS:
CW ROTATION DRIVE END
CONNECT S2 & A1 TOGETHER
CONNECT S1 TO BATTERY TERMINAL
CONNECT A2 TO OTHER BATTERY TERMINAL
CCW ROTATION DRIVE END
SWITCH S1 & S2 CONNECTIONS



**MOTOR WEIGHT: 63 LBS
CLASS "H" INSULATION
PERFORMANCE SPEC: 6**

THIS PRINT IS THE PROPERTY OF D&D MOTOR SYSTEMS INC.
 DO NOT SCALE
 WORK TO DIMENSIONS
 TOLERANCES UNLESS OTHERWISE SPECIFIED ARE AS FOLLOWS
 .XX _____ .01
 .XXX _____ .005
 .XX ROUGH CASTING _____ .03
 HOLES _____ -.001 / +.006
 ANGLES _____ 0°30"

D & D MOTOR SYSTEMS INC			
MOTOR OUTLINE			
SIZE	DRAWN DATE	RELEASE DATE	REV
B	3-11-03		R4
SCALE	DRAWN BY	DWG NO. / PART NO.	REV DATE
STF	MJG	ES-15A-6 (R2)	1-9-06