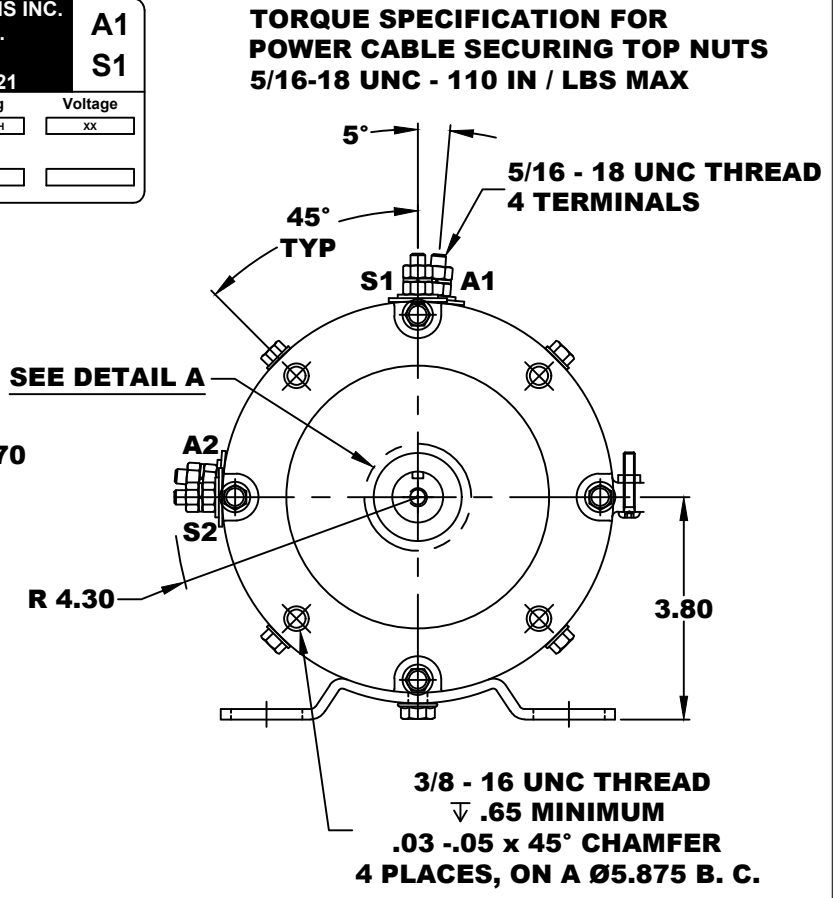
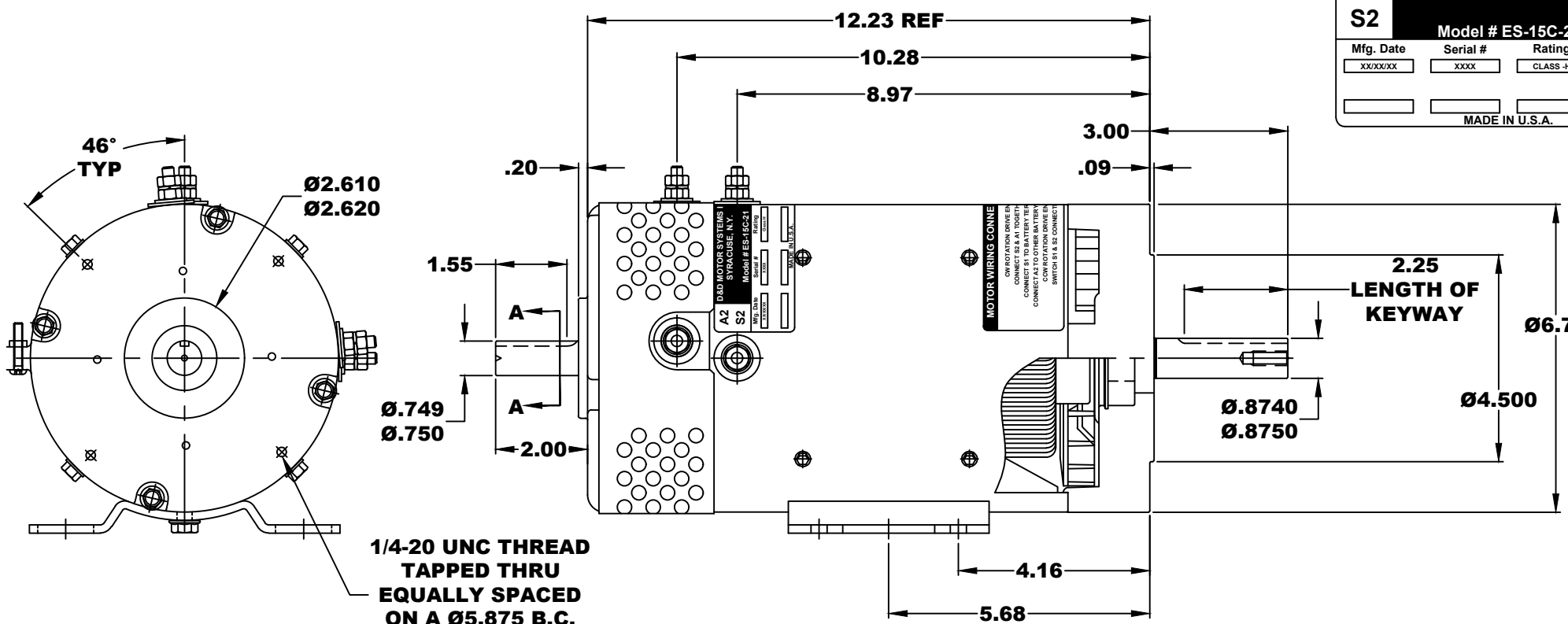
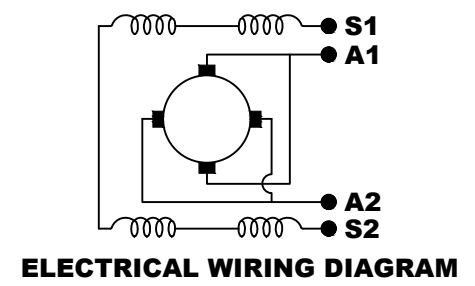
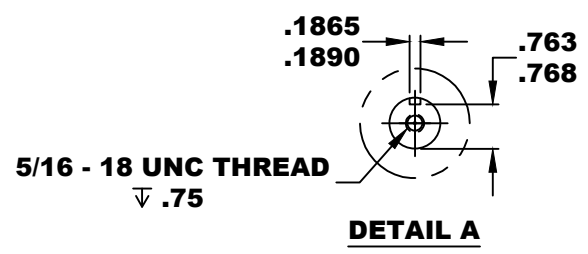
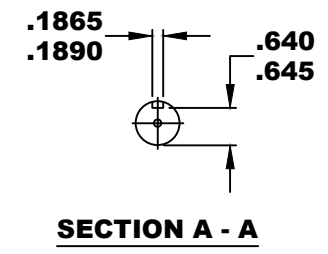


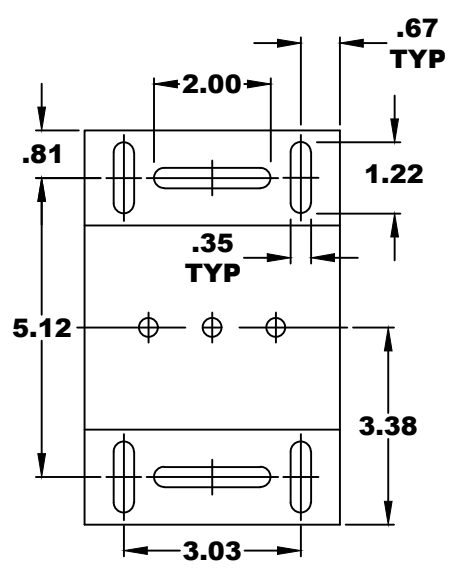
A2		D&D MOTOR SYSTEMS INC.		A1	
S2		SYRACUSE N.Y.		S1	
Model # ES-15C-21					
Mfg. Date	Serial #	Rating	Voltage		
XXXXXX	XXXX	CLASS-H	XX		
MADE IN U.S.A.					



1/4-20 UNC THREAD
TAPPED THRU
EQUALLY SPACED
ON A Ø5.875 B.C.
4 PLACES



MOTOR WIRING CONNECTIONS:
CW ROTATION DRIVE END
 CONNECT S2 & A1 TOGETHER
 CONNECT S1 TO BATTERY TERMINAL
 CONNECT A2 TO OTHER BATTERY TERMINAL
CCW ROTATION DRIVE END
 SWITCH S1 & S2 CONNECTIONS



MOTOR WEIGHT: 66 LBS
CLASS "H" INSULATION
PERFORMANCE SPEC: 21 / K-254

THIS PRINT IS THE PROPERTY OF D&D MOTOR SYSTEMS INC.

DO NOT SCALE
 WORK TO DIMENSIONS

TOLERANCES UNLESS OTHERWISE SPECIFIED ARE AS FOLLOWS

.XX	_____	.01
.XXX	_____	.005
.XX ROUGH CASTING	_____	.03
HOLES	_____	-.001 / +.006
ANGLES	_____	0'30"

D & D MOTOR SYSTEMS INC

MOTOR OUTLINE

SIZE	DRAWN DATE	RELEASE DATE	DWG NO. / PART NO.	REV
B	8-19-10		ES-15C-21	
SCALE	DRAWN BY	REV DATE		
STF	MJG			