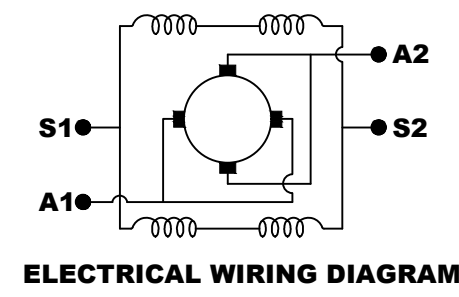
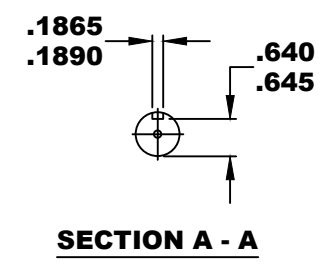
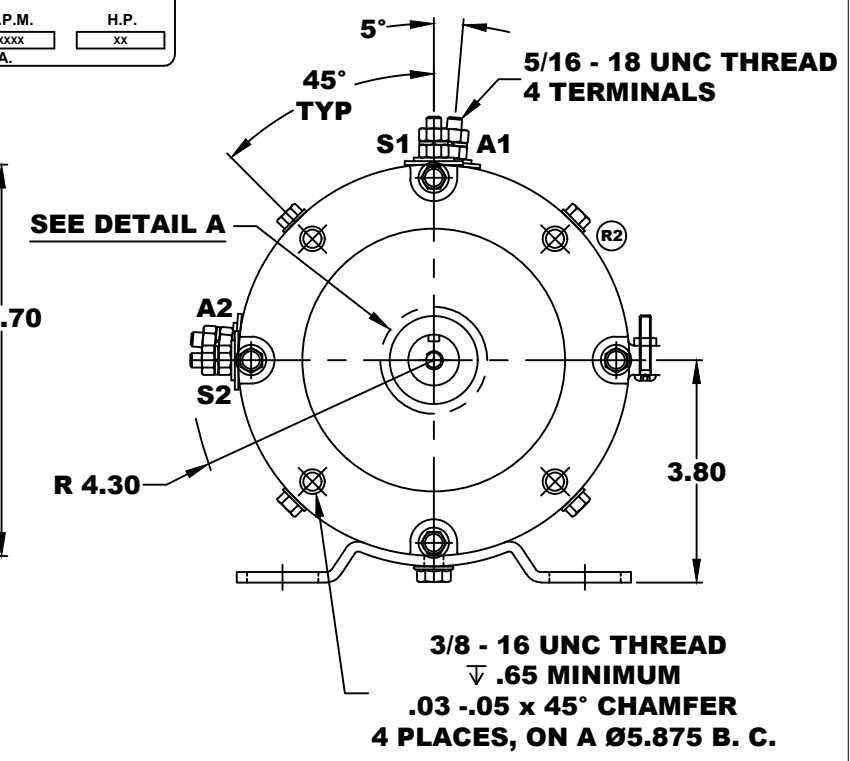
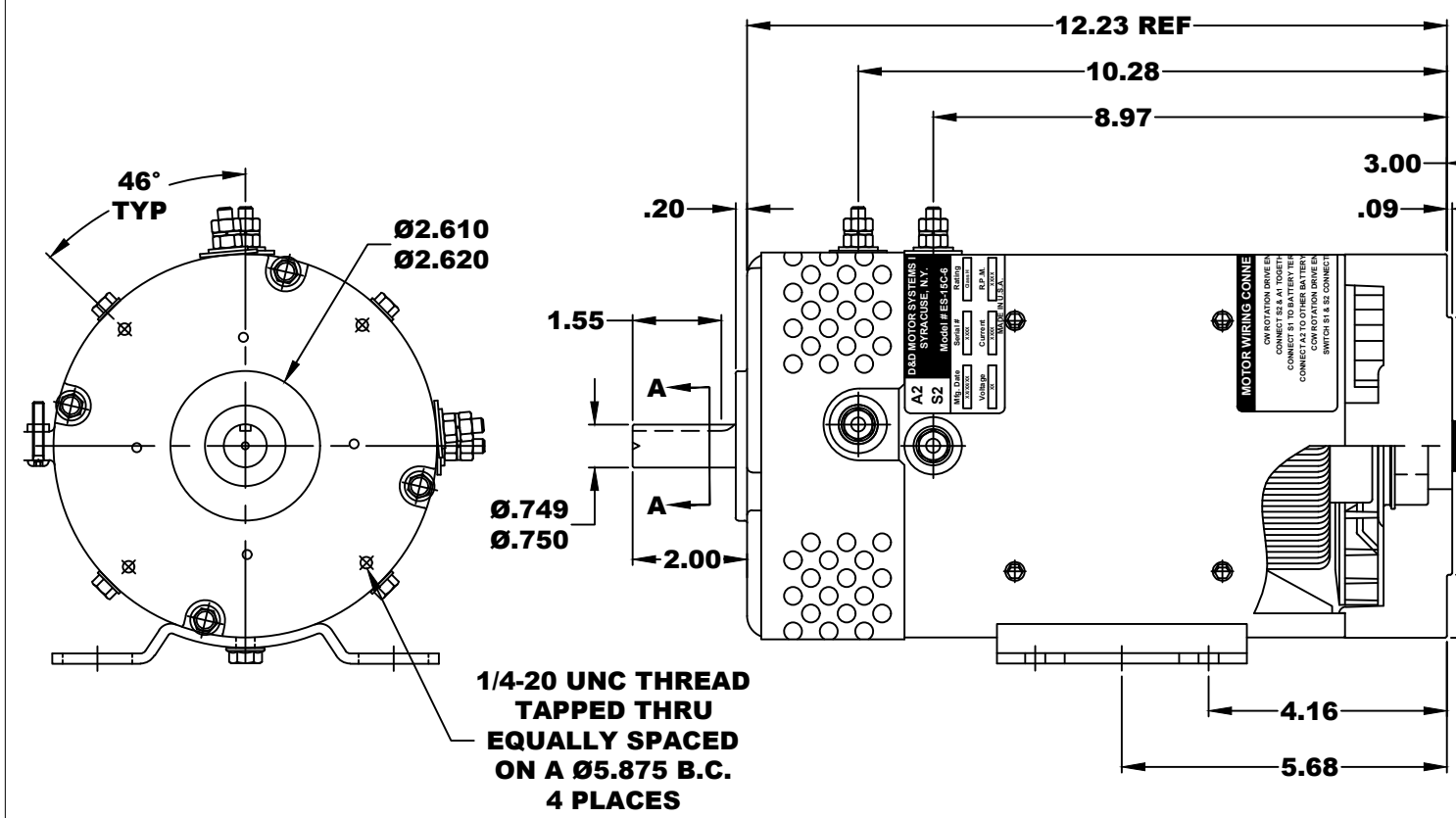
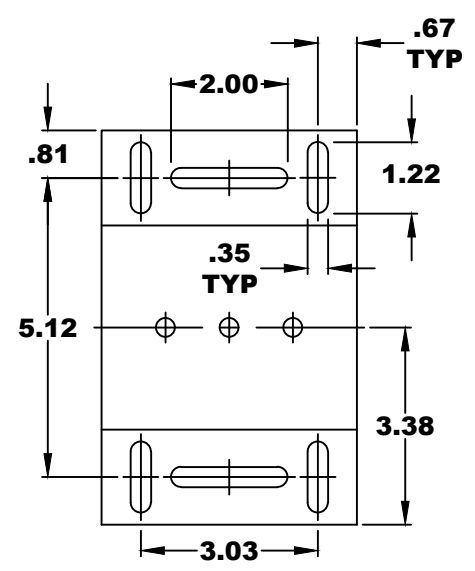


A2		D&D MOTOR SYSTEMS INC.		A1	
S2		SYRACUSE N.Y.		S1	
Model # ES-15C-6					
Mfg. Date	Serial #	Rating	Duty		
XXXXXX	XXXX	CLASS -H	S2-XX MIN		
Voltage	Current	R.P.M.	H.P.		
XX	XXXX	XXXX	XX		
MADE IN U.S.A.					

**TORQUE SPECIFICATION FOR
POWER CABLE SECURING TOP NUTS**
5/16-18 UNC - 110 IN / LBS MAX



MOTOR WIRING CONNECTIONS:
CW ROTATION DRIVE END
CONNECT S2 & A1 TOGETHER
CONNECT S1 TO BATTERY TERMINAL
CCW ROTATION DRIVE END
SWITCH S1 & S2 CONNECTIONS



MOTOR WEIGHT: 66 LBS
CLASS "H" INSULATION
PERFORMANCE SPEC: 6 / K-254

THIS PRINT IS THE PROPERTY OF D&D MOTOR SYSTEMS INC.

DO NOT SCALE
WORK TO DIMENSIONS

TOLERANCES UNLESS OTHERWISE SPECIFIED ARE AS FOLLOWS

.XX	_____	.01
.XXX	_____	.005
.XX ROUGH CASTING	_____	.03
HOLES	_____	-.001 / +.006
ANGLES	_____	0°30"

D & D MOTOR SYSTEMS INC

MOTOR OUTLINE

SIZE	DRAWN DATE	RELEASE DATE	DWG NO. / PART NO.	REV
B	1-20-04		ES-15C-6	R2
SCALE	DRAWN BY	REV DATE		
STF	MJG	8-16-06		