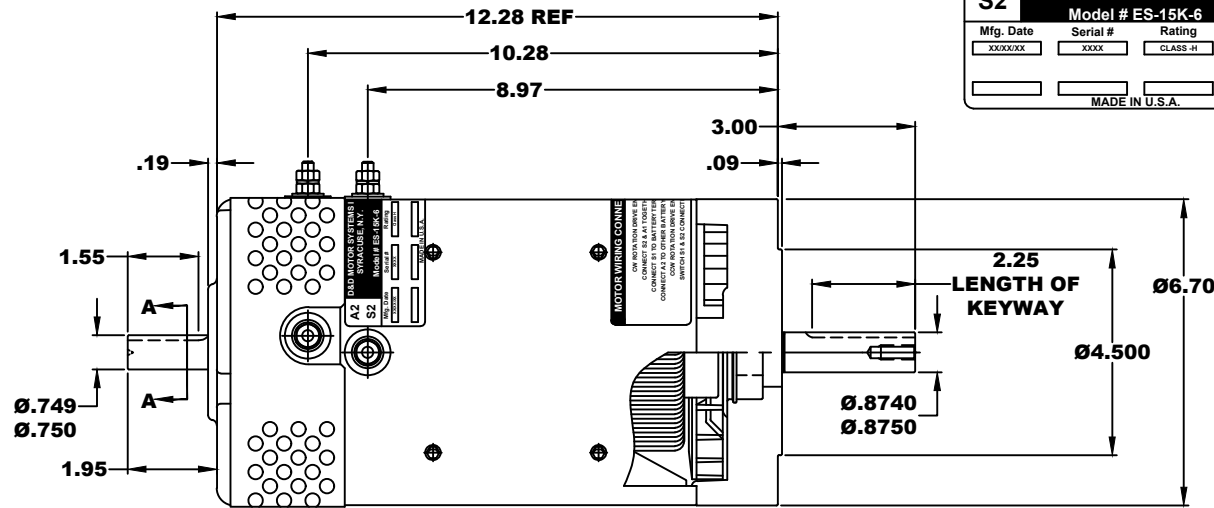
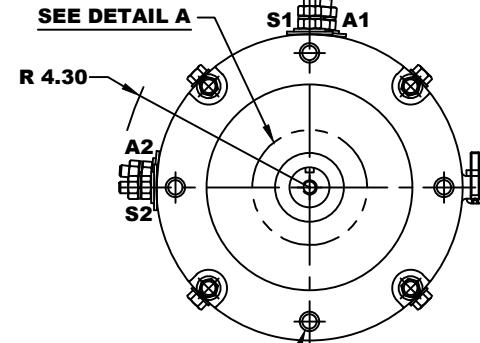


A2	D&D MOTOR SYSTEMS INC.		A1
S2	SYRACUSE N.Y.		S1
Model # ES-15K-6			
Mfg. Date	Serial #	Rating	Voltage
XXXXXX	XXXX	CLASS-H	24V-72V
MADE IN U.S.A.			

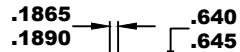
**TORQUE SPECIFICATION FOR
POWER CABLE SECURING TOP NUTS**
5/16-18 UNC - 110 IN / LBS MAX



5°
5/16 - 18 UNC THREAD
4 TERMINALS



3/8 - 16 UNC THREAD
▽ .65 MINIMUM
.03 -.05 x 45° CHAMFER
4 PLACES, ON A Ø5.875 B. C.



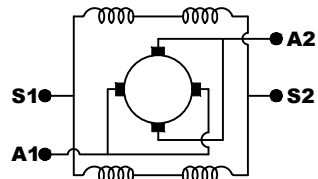
SECTION A - A



DETAIL A

5/16 - 18 UNC THREAD
▽ .75

MOTOR WEIGHT: 63 LBS
CLASS "H" INSULATION
PERFORMANCE SPEC: 6 / K-254



ELECTRICAL WIRING DIAGRAM

MOTOR WIRING CONNECTIONS:
CW ROTATION DRIVE END
CONNECT S2 & A1 TOGETHER
CONNECT S1 TO BATTERY TERMINAL
CCW ROTATION DRIVE END
CONNECT A2 TO OTHER BATTERY TERMINAL
SWITCH S1 & S2 CONNECTIONS

THIS PRINT IS THE PROPERTY OF D&D MOTOR SYSTEMS INC.

DO NOT SCALE
WORK TO DIMENSIONS
TOLERANCES UNLESS OTHERWISE SPECIFIED ARE AS FOLLOWS
.XX _____ .01
.XXX _____ .005
.XX ROUGH CASTING _____ .03
HOLES _____ -.001 / +.006
ANGLES _____ 0°30"

D & D MOTOR SYSTEMS INC

MOTOR OUTLINE

SIZE	DRAWN DATE	RELEASE DATE	DWG NO. / PART NO.	REV
B	12-31-08		ES-15K-6	
SCALE	DRAWN BY		REV DATE	
STF	MJG			