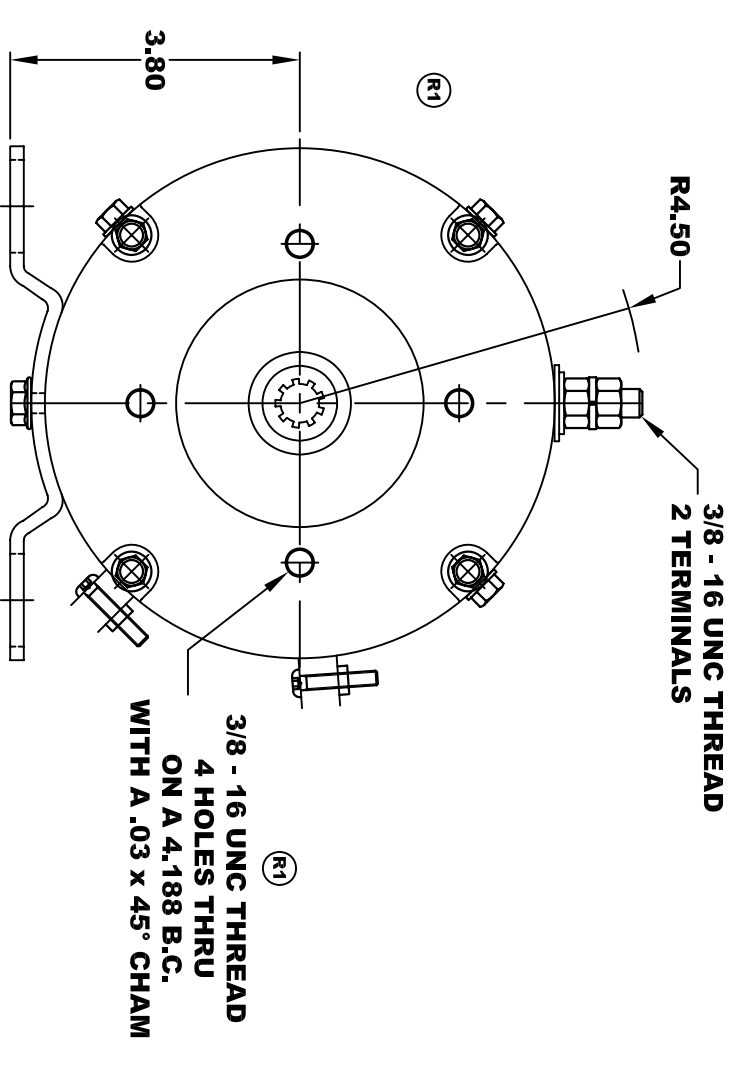
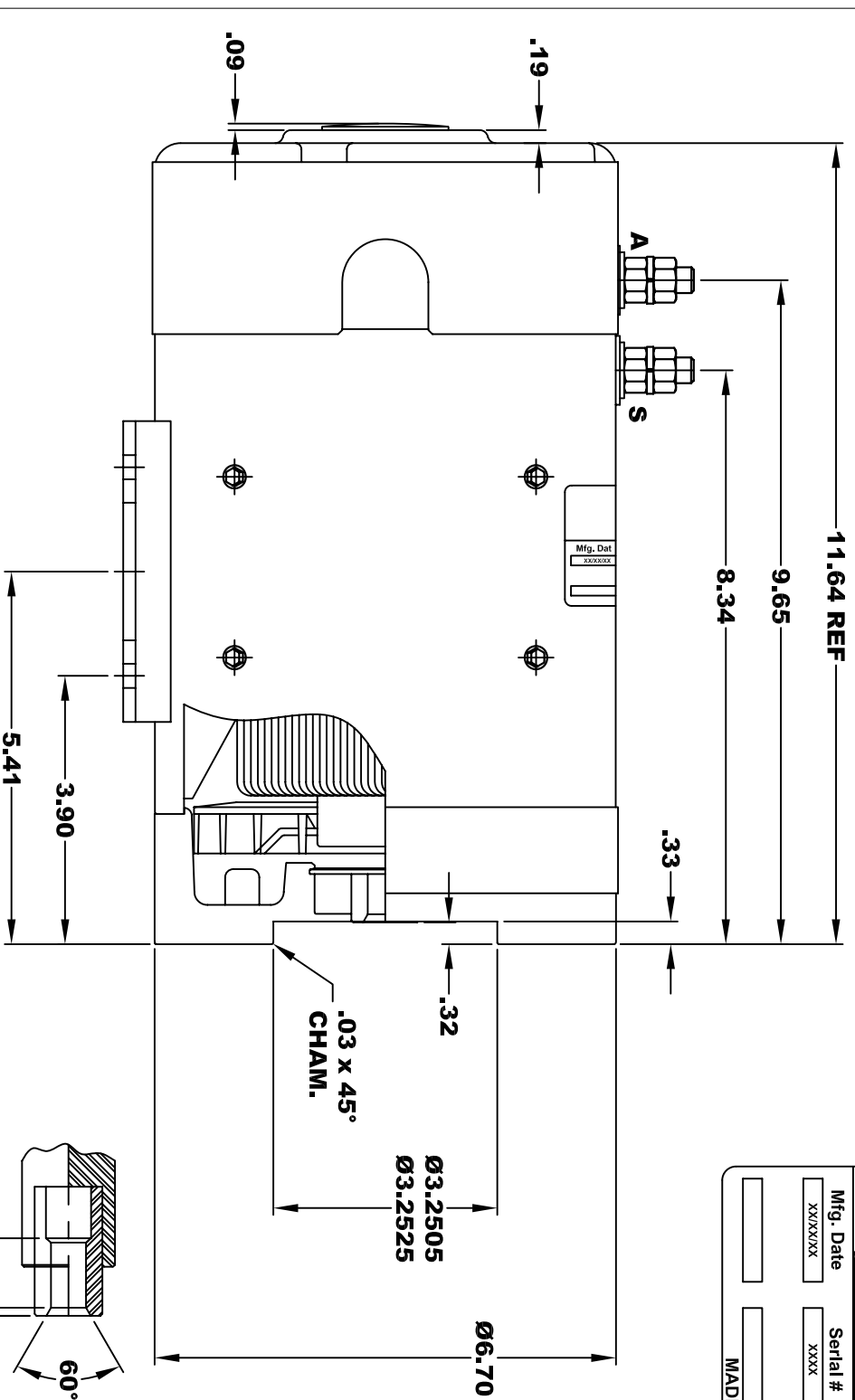
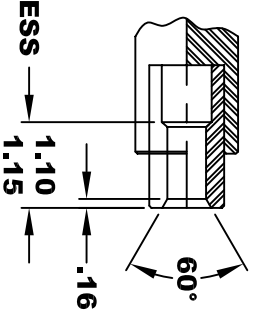


D&D MOTOR SYSTEMS INC.			
SYRACUSE N.Y.			
Model # ES-169A-91			
Mfg. Date XX/XX/XX	Serial # XXXX	Rating CLASS H	Voltage XX
MADE IN U.S.A.			

**TORQUE SPECIFICATION FOR
POWER CABLE SECURING TOP NUTS**
3/8 - 16 UNC - 140 IN / LBS MAX



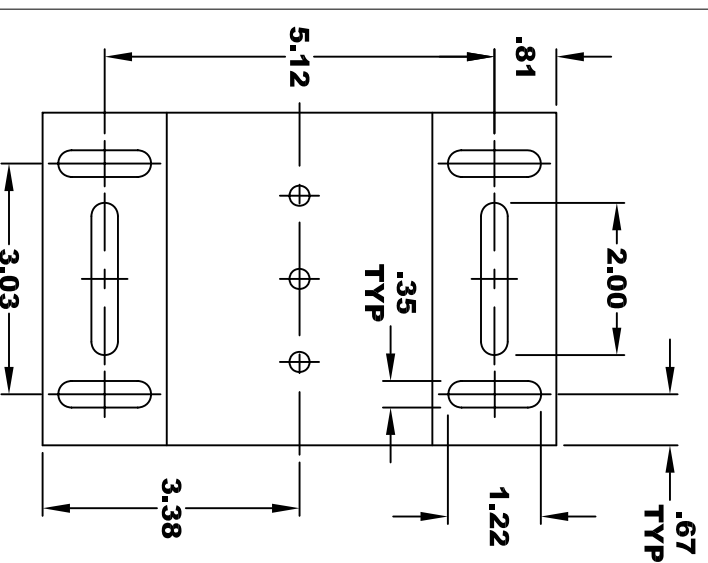
SPLINE HARDNESS — R/C 46 - 52



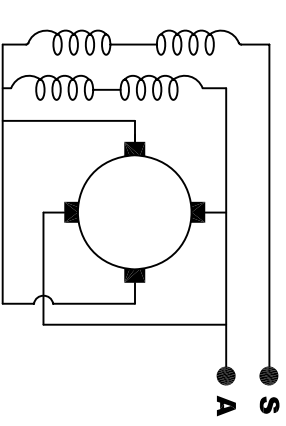
**INTERNAL INVOLUTE SPLINE SPECIFICATION
FLAT ROOT SIDE FIT (PER A.N.S.I. B92.1 CLASS 5)**

- NO. OF TEETH — 9
- SPLINE PITCH — 16 / 32
- PRESSURE ANGLE — 30°
- BASE Ø — .4871 REF
- PITCH Ø — .5625 REF
- MAJOR Ø — .651
- FORM Ø — .629
- MINOR Ø — .509 - .514

⊙	.010	A
⊓	.010	B



- CIRCULAR SPACE WIDTH**
- MAX ACTUAL — .1008
- MIN EFFECTIVE — .0982
- MAX DIMENSION BETWEEN TWO PINS — .3972
- PIN Ø — .1080



ELECTRICAL WIRING DIAGRAM

MOTOR WEIGHT: 60 LBS
CLASS "H" INSULATION
PERFORMANCE SPEC: 91

MOTOR WIRING CONNECTIONS:
CCW ROTATION DRIVE END
CONNECT ONE POWER CABLE TO TERMINAL A
CONNECT THE OTHER POWER CABLE TO TERMINAL S

D & D MOTOR SYSTEMS INC

MOTOR OUTLINE

THIS PRINT IS THE PROPERTY OF D&D MOTOR SYSTEMS INC.
DO NOT SCALE
WORK TO DIMENSIONS
TOLERANCES UNLESS OTHERWISE SPECIFIED ARE AS FOLLOWS
XX — .01
.XXX — .005
.XX ROUGH CASTING — .03
HOLES — -.001 / +.006
ANGLES — 0°-30°

SIZE	DRAWN DATE	RELEASE DATE	DWG NO. / PART NO.	REV
B	11-11-15		ES-169A-91	R1
SCALE	STF	DRAWN BY	MJG	REV DATE
				2-8-16