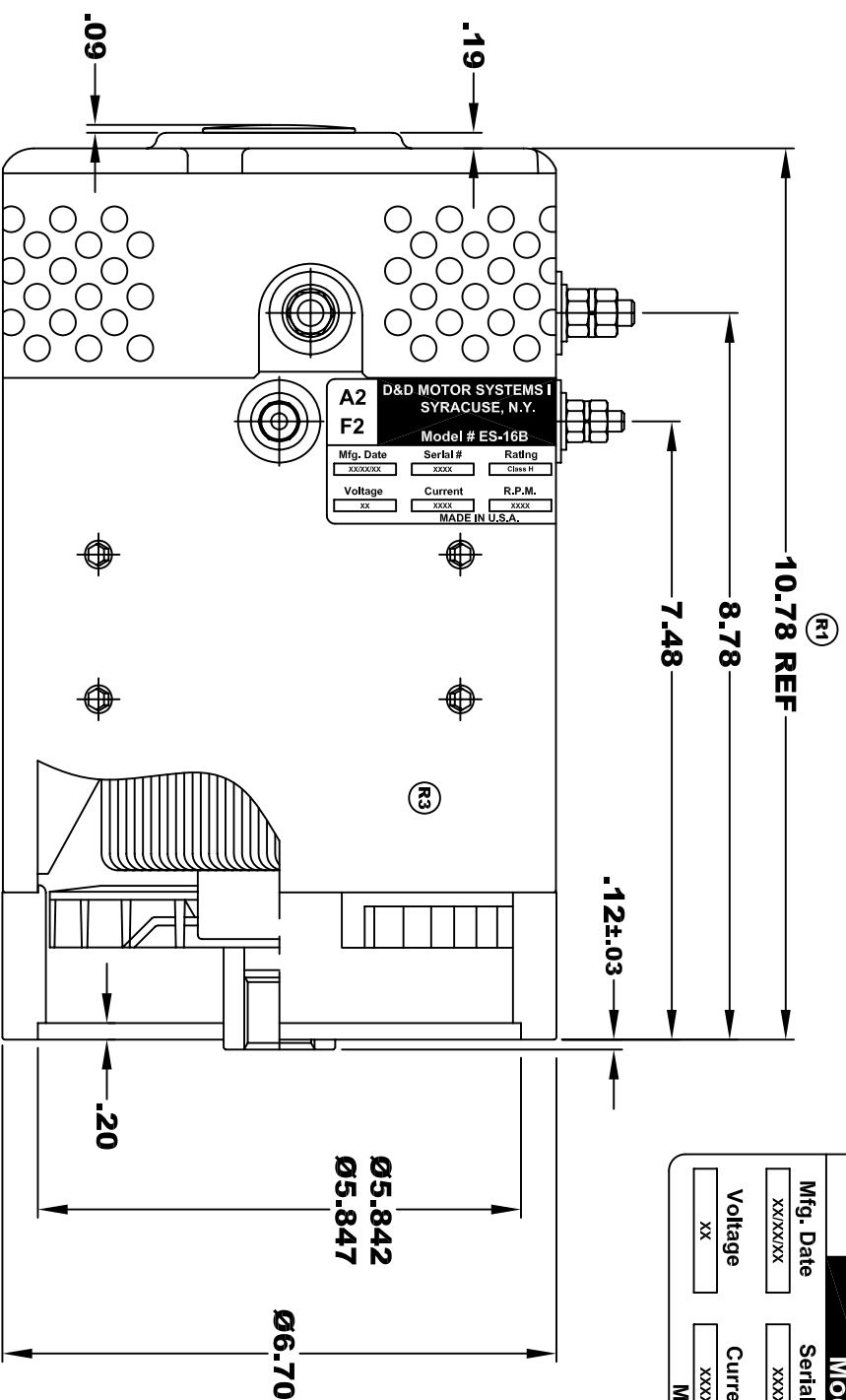
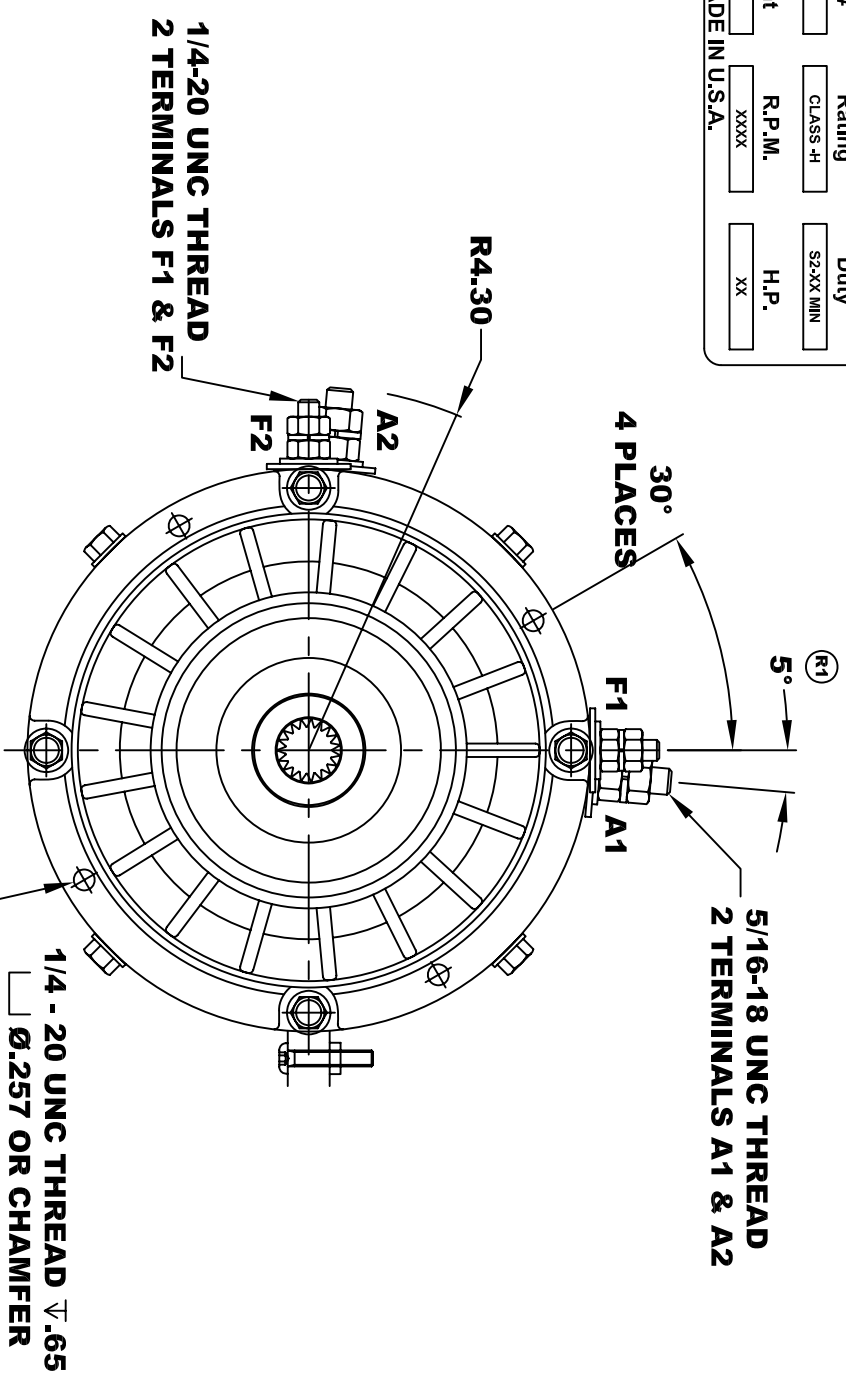


<b>D&amp;D MOTOR SYSTEMS INC.</b>				<b>A1</b>	
<b>F2</b>				<b>F1</b>	
<b>SYRACUSE N.Y.</b>					
<b>Model # ES-16B</b>					
Mfg. Date	Serial #	Rating	Duty		
XXXX/XX	XXXX	CLASS -H-	S2-XX MIN		
Voltage	Current	R.P.M.	H.P.		
XX	XXXX	XXXX	XX		
MADE IN U.S.A.					

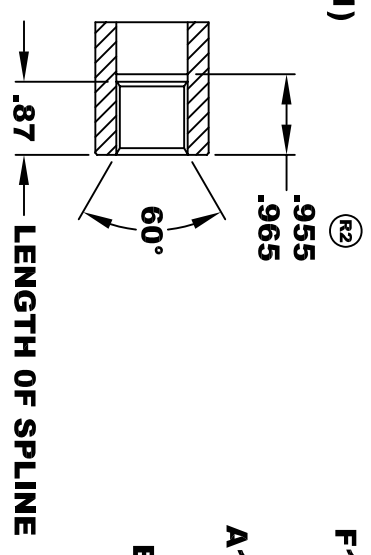


**TORQUE SPECIFICATION FOR  
POWER CABLE SECURING TOP NUTS**  
5/16-18 UNC (A1 / A2) - 110 IN / LBS MAX  
1/4-20 UNC (F1 / F2) - 50 IN / LBS MAX

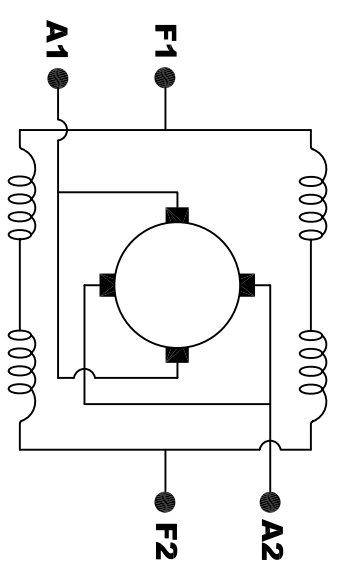


**INTERNAL INVOLUTE SPLINE SPECIFICATION  
CLASS 5 FILET ROOT SIDE FIT (PER A.N.S.I. B92.1)**

- NO. OF TEETH \_\_\_\_\_ 19
- SPLINE PITCH \_\_\_\_\_ 24 / 48
- PRESSURE ANGLE \_\_\_\_\_ 45°
- BASE Ø \_\_\_\_\_ .5597 REF
- PITCH Ø \_\_\_\_\_ .7916 REF
- MAJOR Ø \_\_\_\_\_ .850 - .859
- FORM Ø \_\_\_\_\_ .835
- MINOR Ø \_\_\_\_\_ .767 - .772
- CIRCULAR SPACE WIDTH \_\_\_\_\_ .0764
- EFFECTIVE SPACE WIDTH \_\_\_\_\_ .0738
- MAX. DIMENSION BETWEEN TWO PINS \_\_\_\_\_ .6714
- PIN Ø \_\_\_\_\_ .0800
- SPLINE HARDNESS TO BE R/C 26-34



**MOTOR WEIGHT 50 LBS**  
**CLASS "H" INSULATION**  
**PERFORMANCE SPEC: 5**



**ELECTRICAL WIRING DIAGRAM**

THIS PRINT IS THE PROPERTY OF D&D MOTOR SYSTEMS INC.  
DO NOT SCALE  
WORK TO DIMENSIONS  
TOLERANCES UNLESS OTHERWISE SPECIFIED ARE AS FOLLOWS

.XXX \_\_\_\_\_ .005  
.XX \_\_\_\_\_ .01  
.XX ROUGH CASTING \_\_\_\_\_ .03  
HOLES \_\_\_\_\_ -.001 / +.006  
ANGLES \_\_\_\_\_ 0°30"

**MOTOR WIRING CONNECTIONS:**  
**CW ROTATION DRIVE END**  
**CONNECT A1 & F1 TO ONE BATTERY TERMINAL**  
**CONNECT A2 & F2 TO OTHER BATTERY TERMINAL**  
**CCW ROTATION DRIVE END**  
**SWITCH F1 & F2 CONNECTIONS**

**D & D MOTOR SYSTEMS INC**  
**MOTOR OUTLINE**

SIZE	DRAWN DATE	RELEASE DATE	DWG NO. / PART NO.	REV
B	7-10-03		ES-16B	R3
SCALE	STF	DRAWN BY	MJG	REV DATE
				5-1-13