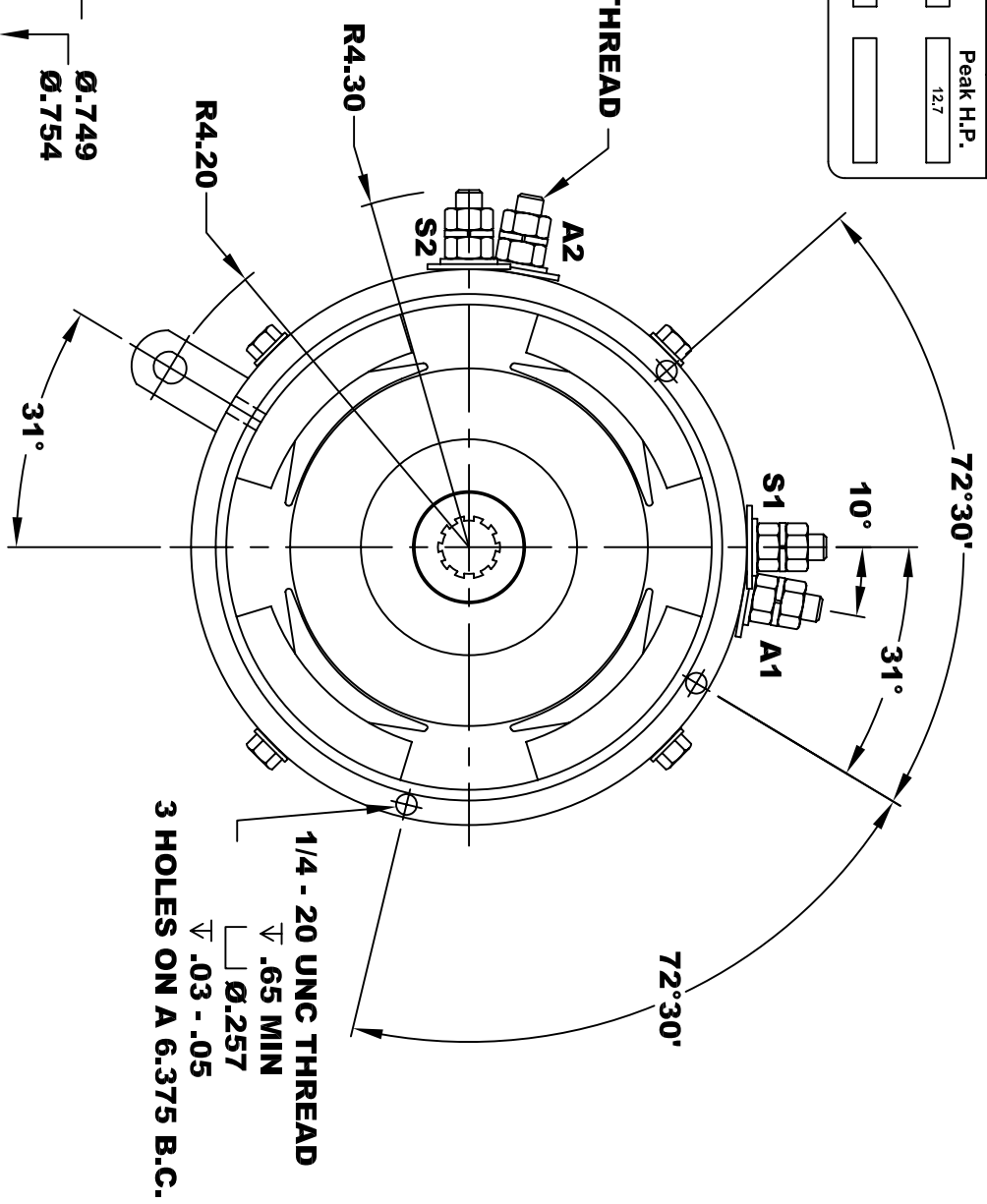
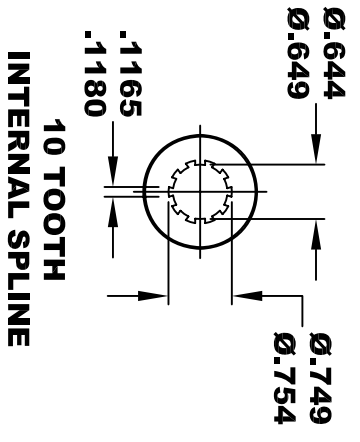
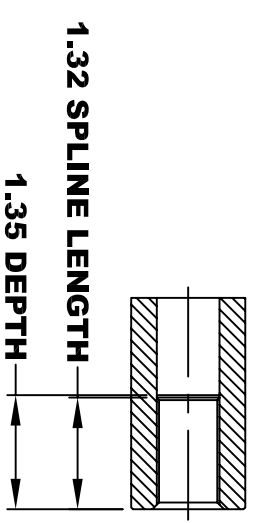
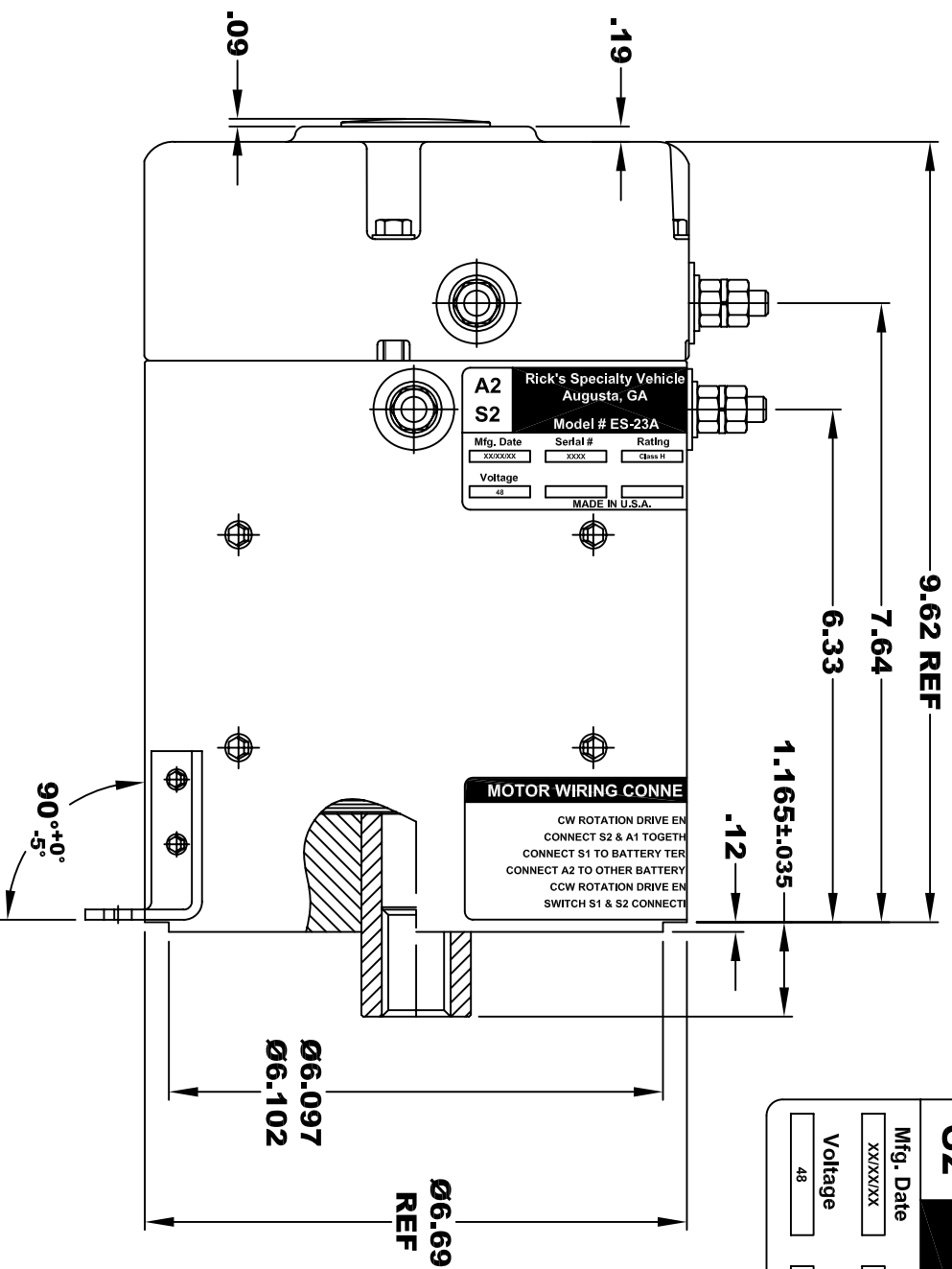
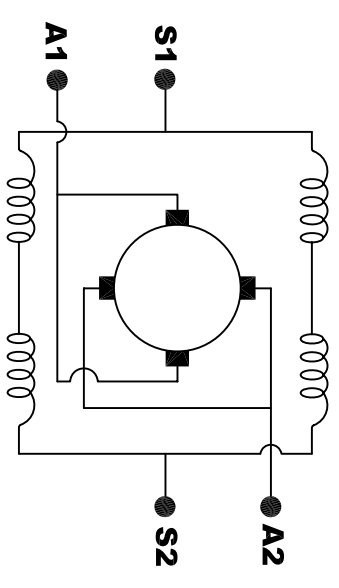


Rick's Specialty Vehicles Augusta, GA			
A2	S2	A1	S1
Model # ES-23A			
Mfg. Date	Serial #	Rating	Peak H.P.
XXXXXX	XXXX	CLASS -H	12.7
Voltage	MADE IN U.S.A.		
48			



MOTOR WEIGHT 54 LBS
CLASS "H" INSULATION
PERFORMANCE SPEC: 11



MOTOR WIRING CONNECTIONS:
CW ROTATION DRIVE END
CONNECT S2 & A1 TOGETHER
CONNECT S1 TO BATTERY TERMINAL
CCW ROTATION DRIVE END
CONNECT A2 TO OTHER BATTERY TERMINAL
SWITCH S1 & S2 CONNECTIONS

THIS PRINT IS THE PROPERTY OF D&D MOTOR SYSTEMS INC.
DO NOT SCALE
WORK TO DIMENSIONS
TOLERANCES UNLESS OTHERWISE SPECIFIED ARE AS FOLLOWS
.XX _____ .01
.XXX _____ .005
.XX ROUGH CASTING _____ .03
HOLES _____ -.001 / +.006
ANGLES _____ 0°30"

D & D MOTOR SYSTEMS INC			
MOTOR OUTLINE			
SIZE	DRAWN DATE	RELEASE DATE	DWG NO. / PART NO.
B	8-29-03		ES-23A
SCALE	STF	DRAWN BY	MJG
			REV DATE
			R1 9-8-03