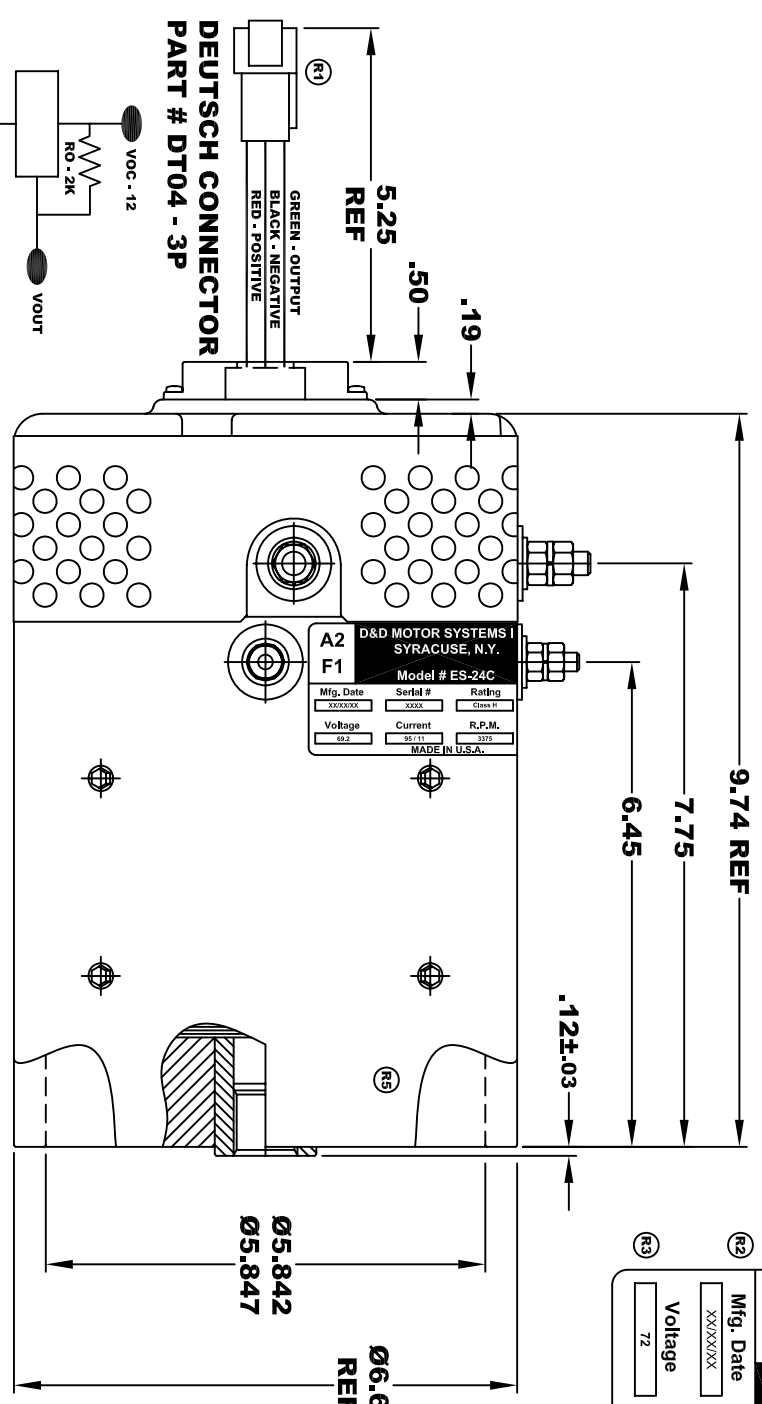


D&D MOTOR SYSTEMS INC.			
SYRACUSE N.Y.			
A2		A1	
F1		F2	
Model # ES-24C			
Mfg. Date	Serial #	Rating	Duty
XXXXXX	XXXX	CLASS-H	S2-30 MIN
Voltage	Current	R.P.M.	H.P.
72	95 / 11	3375	7.7
MADE IN U.S.A.			

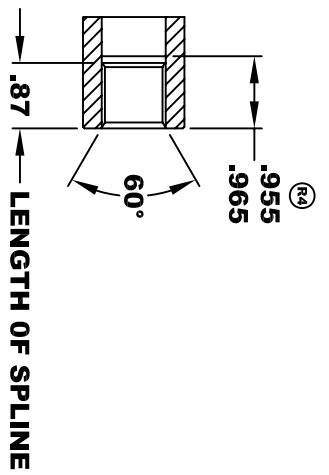
**TORQUE SPECIFICATION FOR
POWER CABLE SECURING TOP NUTS**
5/16-18 UNC (A1 / A2) - 110 IN / LBS MAX
1/4-20 UNC (F1 / F2) - 50 IN / LBS MAX



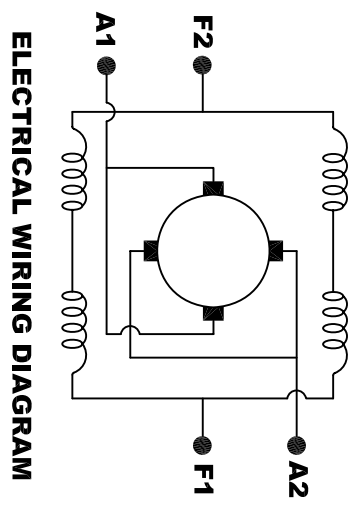
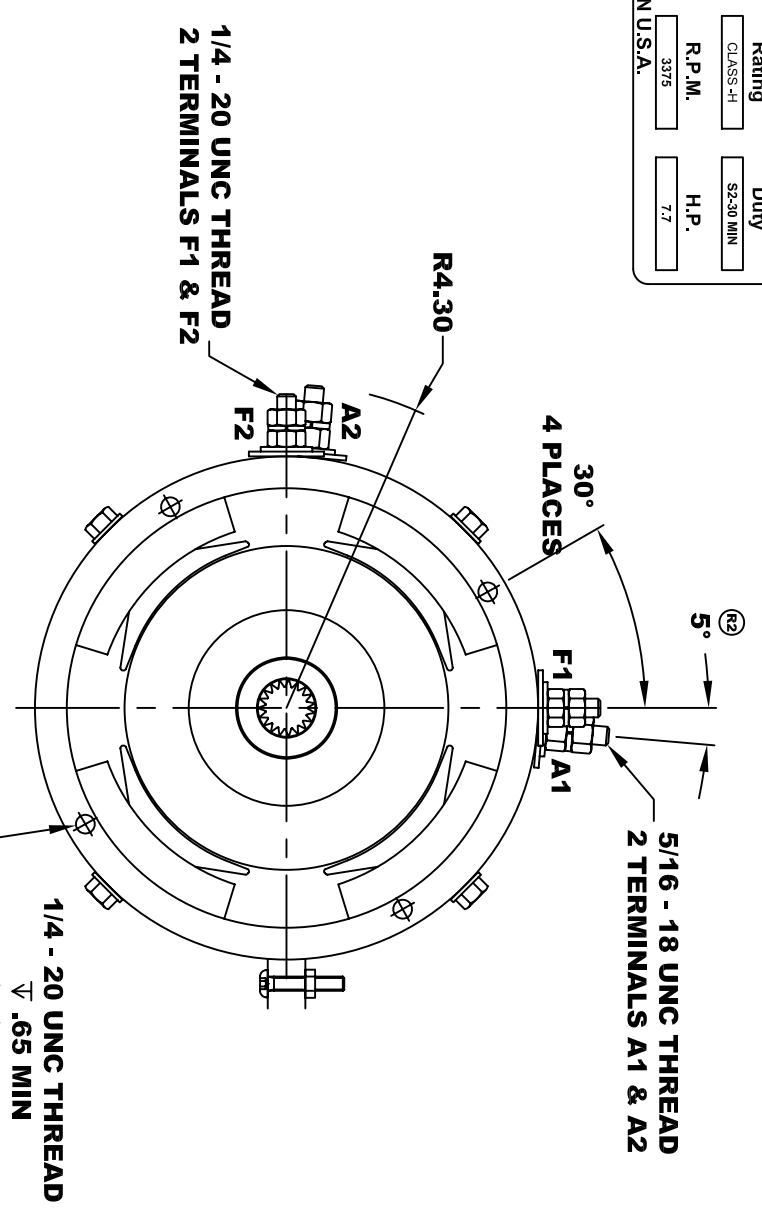
SPEED SENSOR ELECTRICAL SPECIFICATION:

- 4.5V TO 24V OPERATING VOLTAGE
- 20°C TO 85°C OPERATING TEMPERATURE
- CURRENT SINKING UP TO 25mA
- AN EXTERNAL OUTPUT PULL UP RESISTOR IS REQUIRED
- SENSOR IS DESIGNED TO OPERATE WITH 4 N/S POLEPAIRS
- THE OPERATIONAL DISTANCE BETWEEN THE MAGNET AND THE HOUSING, INCLUDING ANY RUNOUT SHOULD NOT EXCEED .030 INCHES

- INTERNAL INVOLUTE SPLINE SPECIFICATION
CLASS 5 FILLET ROOT SIDE FIT (PER A.N.S.I. B92.1)**
- NO. OF TEETH _____ 19
 - SPLINE PITCH _____ 24 / 48
 - PRESSURE ANGLE _____ 45°
 - BASE Ø _____ .5597 REF
 - PITCH Ø _____ .7916 REF
 - MAJOR Ø _____ .850 - .859
 - FORM Ø _____ .835
 - MINOR Ø _____ .767 - .772
 - CIRCULAR SPACE WIDTH _____ .0764
 - EFFECTIVE SPACE WIDTH _____ .0738
 - MAX. DIMENSION BETWEEN TWO PINS _____ .6714
 - PIN Ø _____ .0800
 - SPLINE HARDNESS TO BE R/C 26-34



MOTOR WEIGHT: 53 LBS
CLASS "H" INSULATION
PERFORMANCE SPEC: 14



MOTOR WIRING CONNECTIONS:
CW ROTATION DRIVE END
CONNECT A1 & F2 TO ONE BATTERY TERMINAL
CONNECT A2 & F1 TO OTHER BATTERY TERMINAL
CCW ROTATION DRIVE END
SWITCH F1 & F2 CONNECTIONS

THIS PRINT IS THE PROPERTY OF D&D MOTOR SYSTEMS INC.
DO NOT SCALE
WORK TO DIMENSIONS
TOLERANCES UNLESS OTHERWISE SPECIFIED ARE AS FOLLOWS

.XXX	.005
.XX	.01
.XX	.03
.XX	-.001 / +.006
HOLES	.030"
ANGLES	

D & D MOTOR SYSTEMS INC			
MOTOR OUTLINE			
SIZE	DRAWN DATE	RELEASE DATE	DWG NO. / PART NO.
B	5-2-03		ES-24C
SCALE	STF	DRAWN BY	MJG
			REV DATE
			2-13-13
			REV
			R5